

---

# REPLACEMENT PARTS MANUAL

# OIL FIRED FURNACE

Model: **FLF085D36D**  
**FLF110D48D**

---

## General Notes

- Revised and/or additional pages may be issued from time to time.
- A complete and current manual consists of pages shown in the following contents section.

## Important

- Contact the installing and/or local Bard distributor for all parts requirements. Make sure you have the complete model and serial number available from the unit rating plate.

## Contents

Description	Page
Cabinet Components	
♦ Exploded View .....	1
♦ Usage List .....	2
Functional Components	
♦ Exploded View .....	3
♦ Usage List .....	4
Burner Components	
♦ Layout View .....	5
♦ Usage List .....	6
Burner / Combustion Chamber Mounting System	
♦ Layout View .....	7
♦ Usage List .....	8

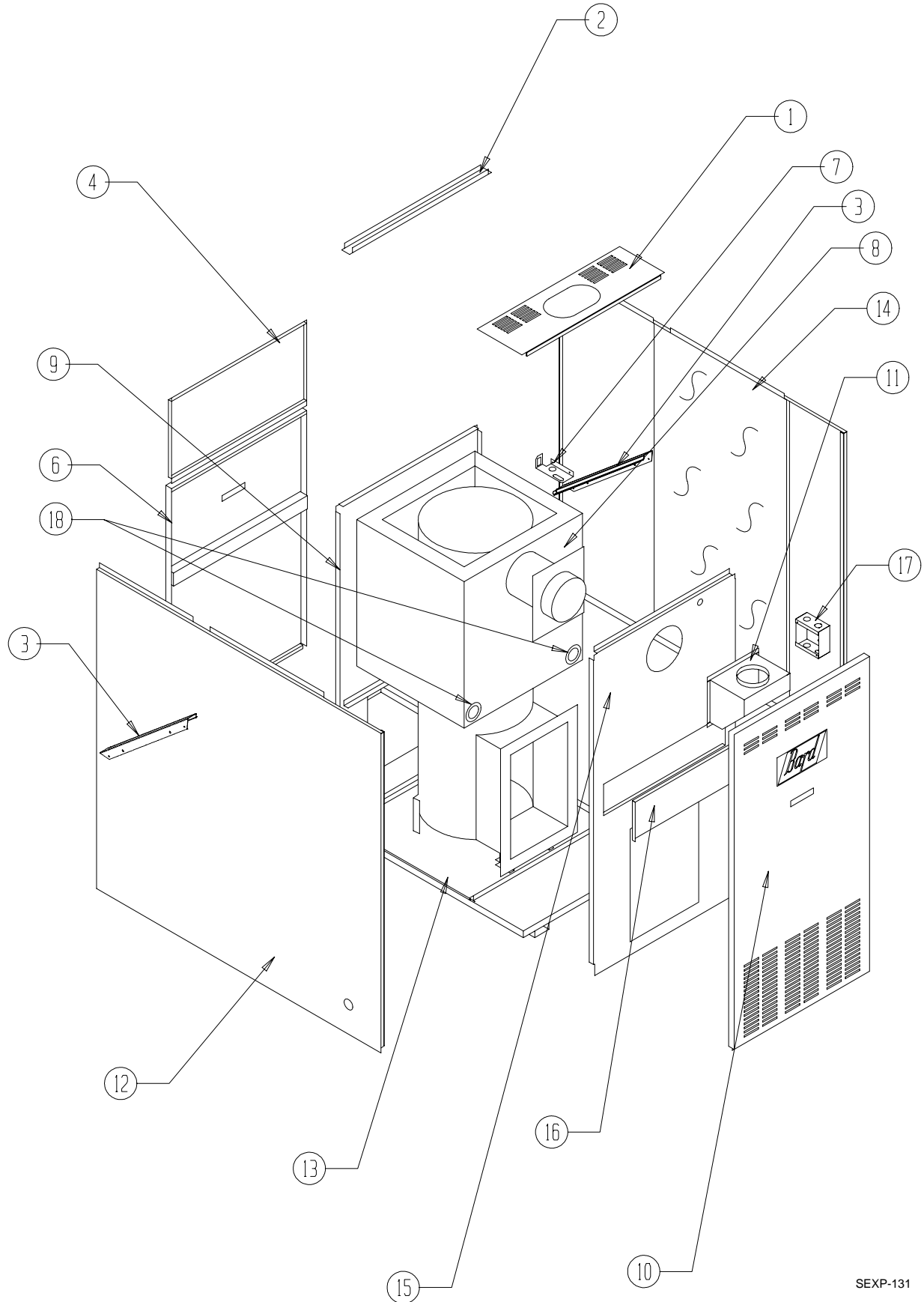


CLIMATE CONTROL SOLUTIONS

BARD MANUFACTURING COMPANY  
Bryan, Ohio 43506  
*Since 1914...Moving ahead, just as planned.*

Manual: 2110-923A  
Supersedes: 2110-923  
File: Tab 3  
Date: 02-10-02

# CABINET COMPONENTS

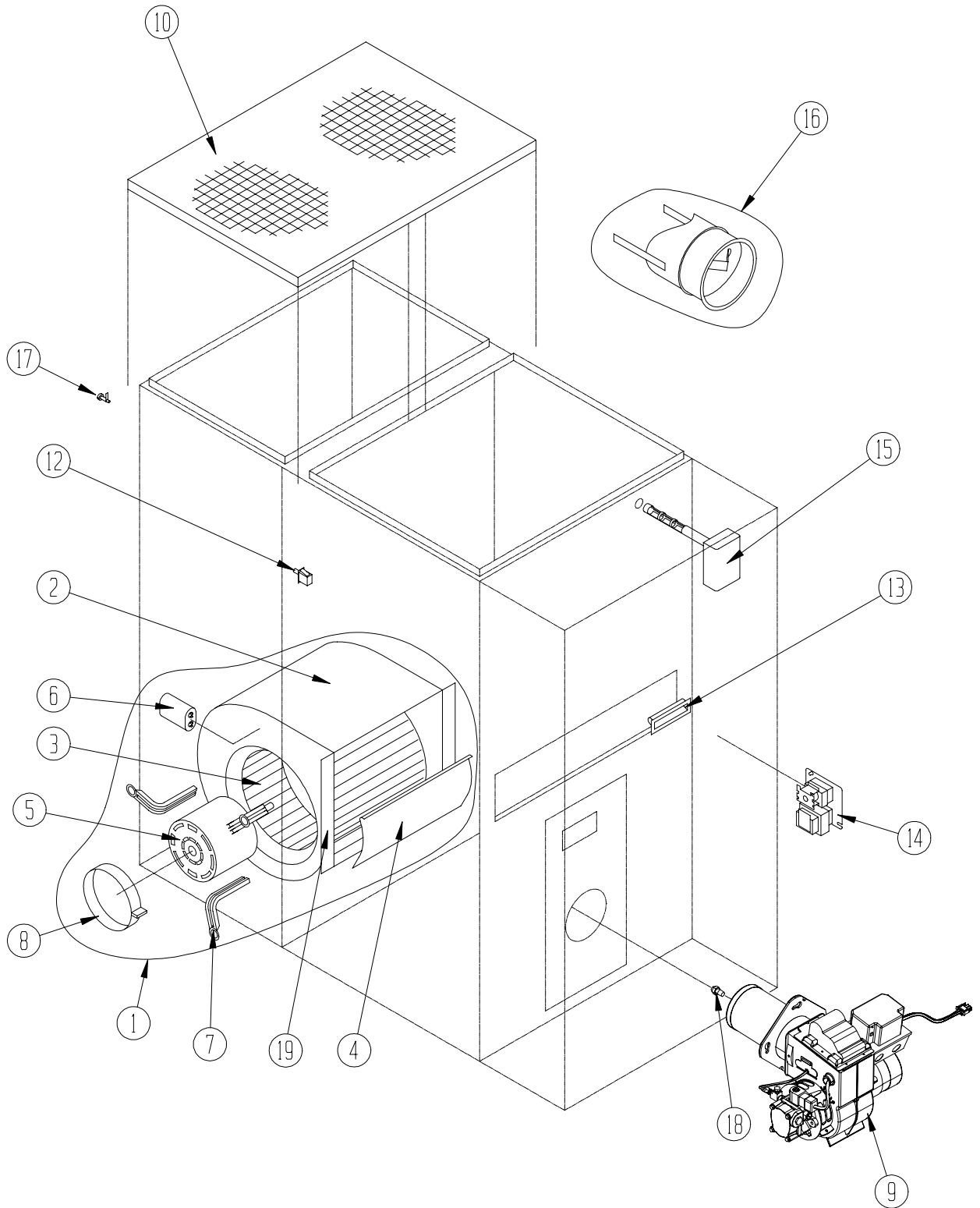


SEXP-131

# CABINET COMPONENTS

Drawing No.	Part No.	Description	FLF085D36D	FLF110D48D
1	106-139-4	Top Fill	X	X
2	164-536-4	Top Channel	X	X
3	130-136	Filter Support	2	
3	130X106	Right Filter Support		1
3	130Y106	Left Filter Support		1
4	108-080-4	Upper Back	X	
4	108-081-4	Upper Back		X
6	S552-219-4	Blower Door	X	X
7	116-173	Door Switch Bracket	X	X
8	S171-211	Heat Exchanger Assembly	X	
8	S171-213	Heat Exchanger Assembly		X
9	521-221	Blower Partition	X	
9	521-223	Blower Partition		X
10	S152-184-4	Burner Door	X	
10	S152-185-4	Burner Door		X
11	913-0069	Flue Box Assembly	X	X
12	S501-247-4	Left Side (Furnace serial number required)	X	
12	S501-249-4	Left Side (Furnace serial number required)		X
13	127-175	Base	X	X
14	S501-246-4	Right Side	X	
14	S501-248-4	Right Side		X
15	S520-220	Burner Partition	X	
15	S520-222	Burner Partition		X
16	S542-037	Cleanout Cover Plate	X	X
17	116-157	Junction Box	X	X
18	8620-007	Cleanout Plug and Gasket	2	2
18	1921-038	Cleanout Gasket Only	2	2

# FUNCTIONAL COMPONENTS



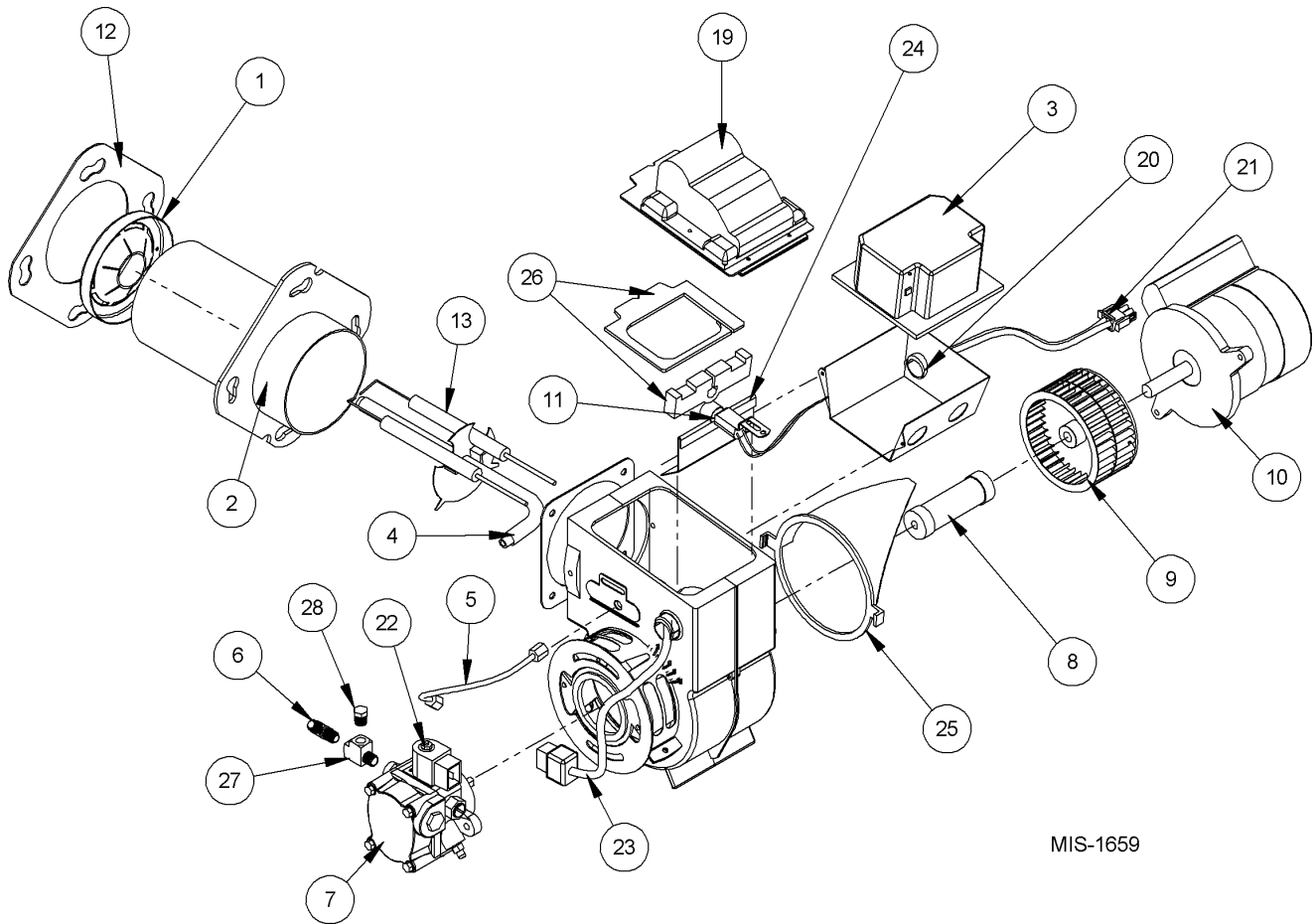
SEXP-154

## FUNCTIONAL COMPONENTS

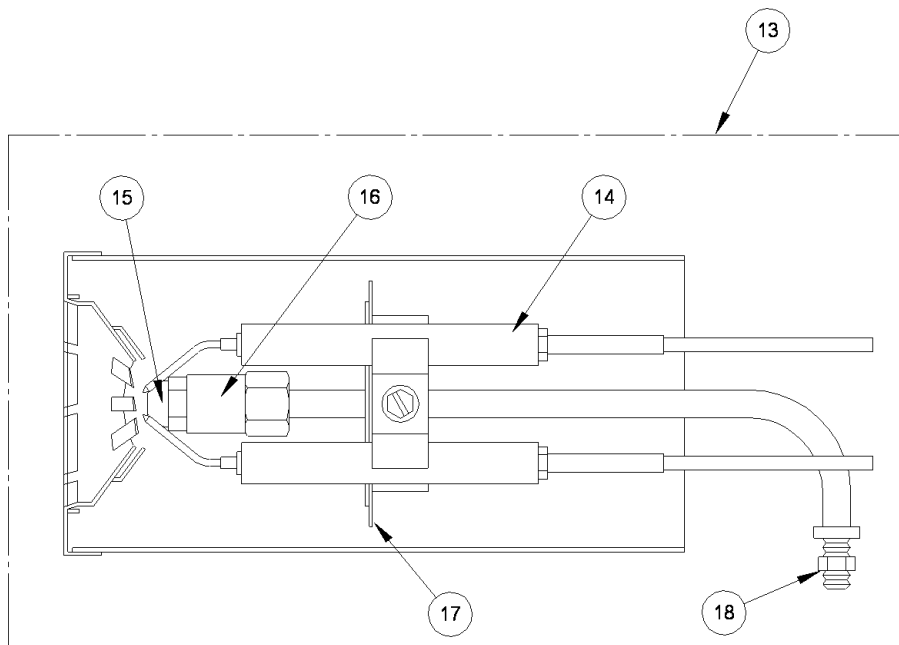
Drawing No.	Part No.	Description	FLF085D36D	FLF110D48D
1	900-197	Blower Assembly	X	
1	900-198	Blower Assembly		X
2	151-073	Blower Housing Assembly	X	
2	151-082	Blower Housing Assembly		X
3	5152-014	Blower Wheel	X	
3	5152-059	Blower Wheel		X
4	144-128	Diffuser	X	
4	144-129	Diffuser		X
5	8105-040	Motor 1/3 HP CCW	X	
5	8106-033	Motor 1/2 HP CW		X
6	8552-002	Capacitor 5.0/370	X	
6	8552-004	Capacitor 7.5 /370		X
7	8200-034	Motor Mount Arm	3	3
8	8200-033	Motor Mount Band	X	X
9	9020-026	Burner Assembly (Includes nozzle part no. 9011-016)	X	
9	9020-027	Burner Assembly (Includes nozzle part no. 9011-018)		X
10	7003-040	Washable Filter 16 x 20 x 1	X	
10	7003-041	Washable Filter 20 x 20 x 1		X
12	8406-047	Door Switch	X	X
13	117-025	Door Pull	X	X
14	8201-006	Fan Center	X	X
15	8620-081	Fan/Limit control	X	X
16	8601-031	Barometric Damper	X	X
17	1171-012	Slotted Cabinet Latch	X	X
18	9011-016	Nozzle .75 GHP 70 degree	X	
18	9001-018	Nozzle 1.00 GHP 70 degree		X
19	104-794	Blower Angles	X	X
NS	4047-117	Wire Diagram	X	X

NS = Not Shown

# BURNER COMPONENTS



MIS-1659



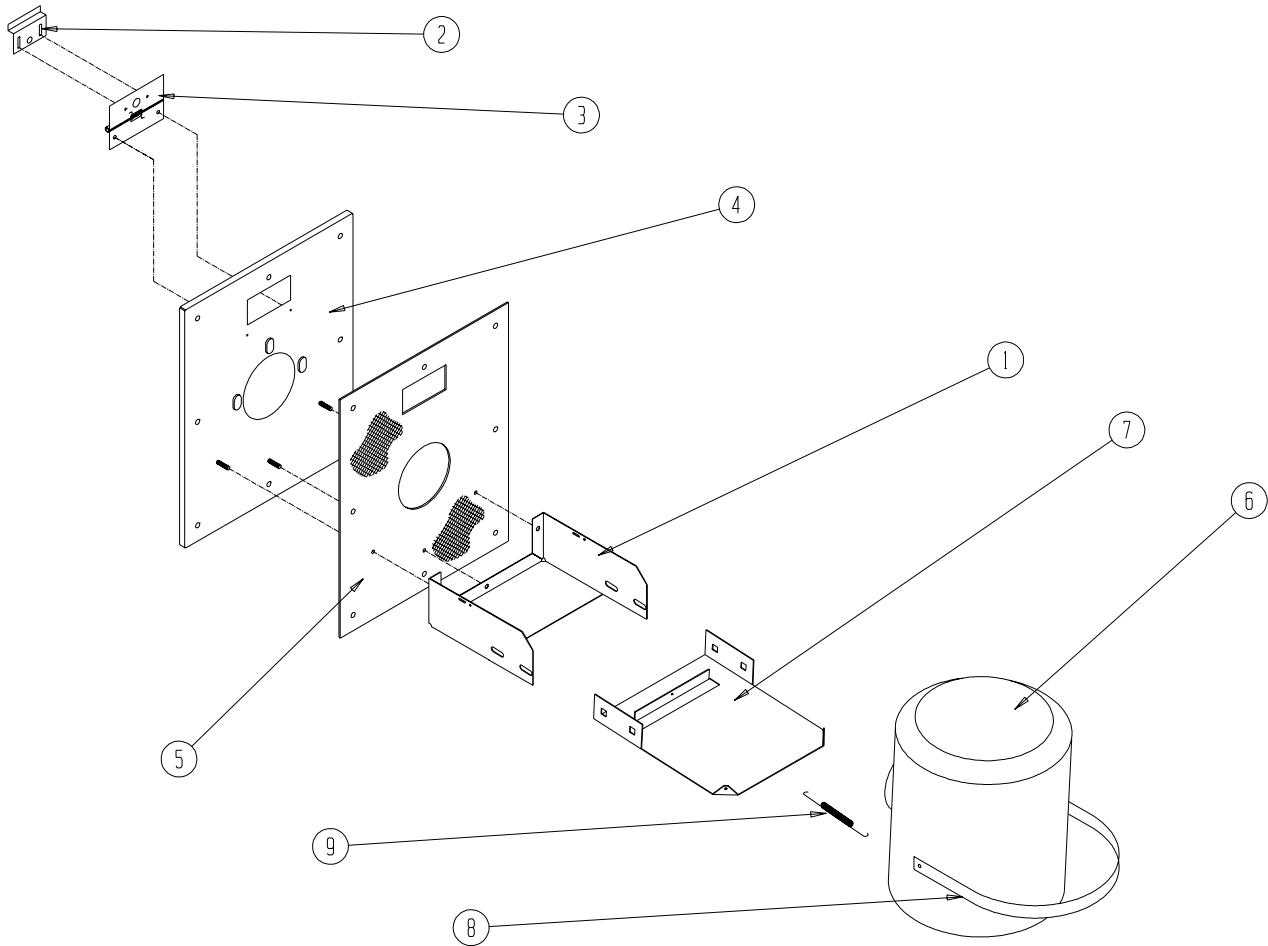
MIS-1663

# BURNER COMPONENTS

Drawing No.	Bard Part No.	Supplier Part No.	Description	FLF085D36D	FLF110D48D
1	9022-034	360004	Head (F4)	X	
1	9022-042	360006	Head (F6)		X
2	9022-004	51236007BK	Air Tube & Flange Assembly	X	X
3	9022-080	7456U	Primary Control	X	X
4	9022-007	571801	Bulkhead Fitting	X	X
5	9022-008	5636	Connector Tube	X	X
6	9022-009	2256	Pump Outlet Elbow	X	X
7	9022-082	21844U	"Cleancut" Oil Pump	X	X
8	9022-011	2454	Coupling	X	X
9	9022-083	2999	Blower Wheel	X	X
10	9022-084	21805R/218	PSC Motor 1/7 H.P.	X	X
11	9022-085	7006Q	CAD Cell	X	X
12	9022-021	3811	Mounting Flange Gasket	X	X
13	9022-014	NL90YH	Nozzle Line Electrode Assembly	X	X
14	9022-017	5780	Electrode Insulator Assembly	X	X
15	9011-016	2663	Nozzle .75 GPH 70 degree A	X	
15	9011-018	2711	Nozzle 1.00 GPH 70 degree A		X
16	9022-016	213U	Nozzle Adapter	X	X
17	9022-023	3384	Static Plate (3-3/8")	X	X
18	9022-018	3666	Bulkhead Fitting Locknut	X	X
19	9022-079	7440	Solid State Igniter	X	X
20	9022-086	3741	Junction Box	X	X
21	9022-055	31838	Power Cord	X	X
22	9022-087	21755	Solenoid Valve Coil	X	X
23	9022-088	21807	Solenoid Valve Cord	X	X
24	9022-089	3708	Restrictor Baffle	X	X
25	9022-090	31231	Air Guide	X	X
26	9022-093	51304	Igniter Gasket Kit	X	X
27	9022-091	21398	Pressure Gauge Tee Fitting	X	X
28	9022-092	21397	Pressure Gauge Tee Fitting Plug	X	X

# BURNER/COMBUSTION CHAMBER MOUNTING SYSTEM

---



SEXP-197



## BURNER/COMBUSTION CHAMBER MOUNTING SYSTEM

---

Drawing No.	Bard Part No.	Description	FLF085D36D	FLF110D48D
1	112-159	Combustion Chamber Bracket	X	X
2	142-026	Inspection Door Cover Plate	X	X
3	142-027	Inspection Door Hinge	X	X
4	161-033	Front Plate Assembly	X	X
5	1921-026	Front Plate Gasket	X	X
6	7090-005	Combustion Chamber Support	X	X
7	S112-160	Bracket Extension	X	X
8	140-198	Combustion Chamber Support	X	X
9	5401-004	Stainless Steel Spring	X	X
	S173-076	Complete Assembly of All Parts	X	X