

---

# REPLACEMENT PARTS MANUAL

# OIL FIRED FURNACE

Models: **FLR085D36D**  
**FLR110D48D**  
**FLR140D60D**



---

## General Notes

- Revised and/or additional pages may be issued from time to time.
- A complete and current manual consists of pages shown in the following contents section.

## Important

- Contact the installing and/or local Bard distributor for all parts requirements. Make sure you have the complete model and serial number available from the unit rating plate.

## Contents

Description	Page
Cabinet Components	
♦ Exploded View .....	1
♦ Usage List .....	2
Functional Components	
♦ Exploded View .....	3
♦ Usage List .....	4
Burner Components	
♦ Layout View .....	5
♦ Usage List .....	6
Burner / Combustion Chamber Mounting System	
♦ Layout View .....	7
♦ Usage List .....	8

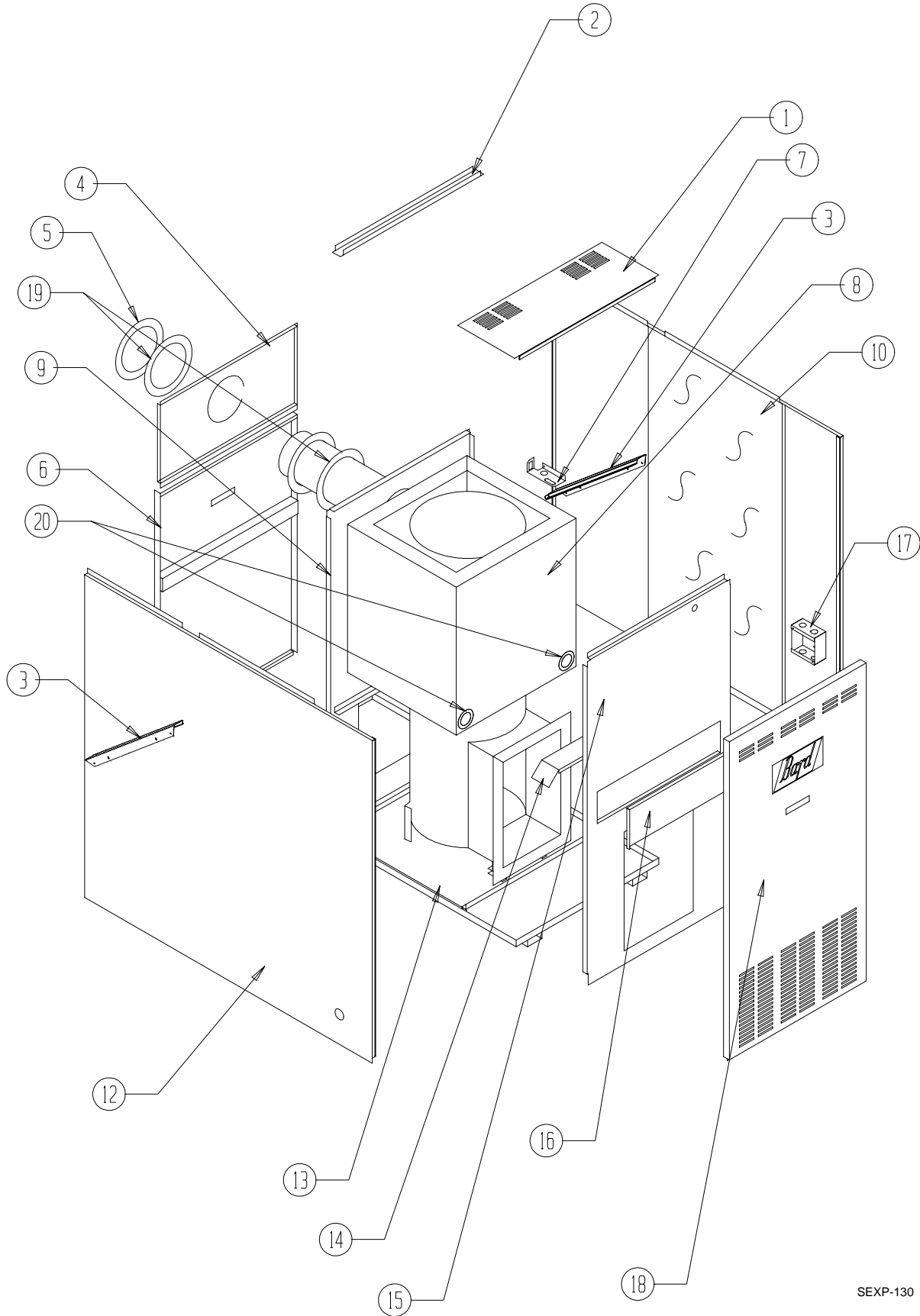


BARD MANUFACTURING COMPANY  
Bryan, Ohio 43506  
*Since 1914...Moving ahead, just as planned.*

Manual: 2110-924B  
Supersedes: 2110-924A  
File: Tab 3  
Date: 06-21-02

CLIMATE CONTROL SOLUTIONS

# CABINET COMPONENTS

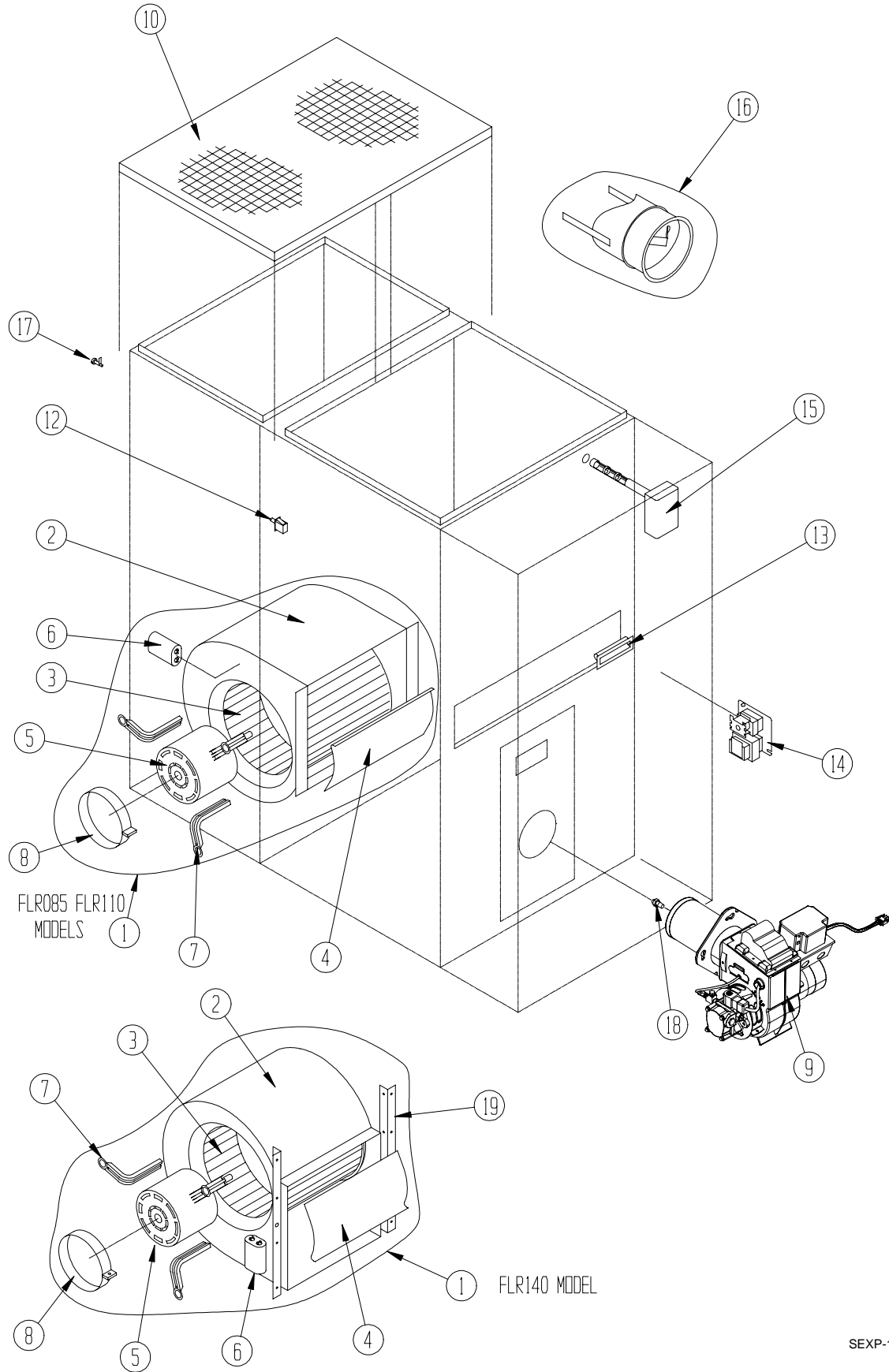


SEXP-130

## CABINET COMPONENTS

Drawing No.	Part No.	Description	FLR085D36D	FLR110D48D	FLR140D60D
1	106-126-4	Top Fill	X	X	
1	106-128-4	Top Fill			X
2	164-536-4	Top Channel	X	X	
2	164-537-4	Top Channel			X
3	130-136	Filter Support	2		
3	130X106	Right Filter Support		1	
3	130Y106	Left Filter Support		1	
3	130X107	Right Filter Support			1
3	130Y107	Left Filter Support			1
4	108-082-4	Upper Back	X		
4	108-083-4	Upper Back		X	
4	108-085-4	Upper Back			X
5	S166-019	Smoke Pipe Clamp Ring Assembly	2	2	2
6	S552-219-4	Blower Door	X	X	
6	S552-197-4	Blower Door			X
7	112-173	Door Switch Bracket	X	X	X
8	S171-212	Heat Exchanger Assembly	X		
8	S171-214	Heat Exchanger Assembly		X	
8	S171-215	Heat Exchanger Assembly			X
9	521-208	Blower Partition	X		
9	521-210	Blower Partition		X	
9	521-171	Blower Partition			X
10	S501-246-4	Right Side	X		
10	S501-248-4	Right Side		X	
10	S501-222-4	Right Side			X
12	S501-247-4	Left Side (Furnace serial number required)	X		
12	S501-249-4	Left Side (Furnace serial number required)		X	
12	S501-223-4	Left Side (Furnace serial number required)			X
13	127-175	Base	X	X	
13	127-180	Base			X
14	168-048	Air Baffle	X		X
14	168-076	Air Baffle		X	
15	S520-219	Burner Partition	X		
15	S520-218	Burner Partition		X	
15	S520-197	Burner Partition			X
16	S542-037	Cleanout Cover Plate	X	X	
16	S542-038	Cleanout Cover Plate			X
17	116-157	Junction Box	X	X	X
18	S152-184-4	Burner Door	X		
18	S152-185-4	Burner Door		X	
18	S152-198-4	Burner Door			X
19	191-037	Smoke Pipe Gasket 6"	2	2	2
20	8620-007	Cleanout Plug and Gasket	2	2	2
20	1921-038	Cleanout Gasket Only	2	2	2

# FUNCTIONAL COMPONENTS



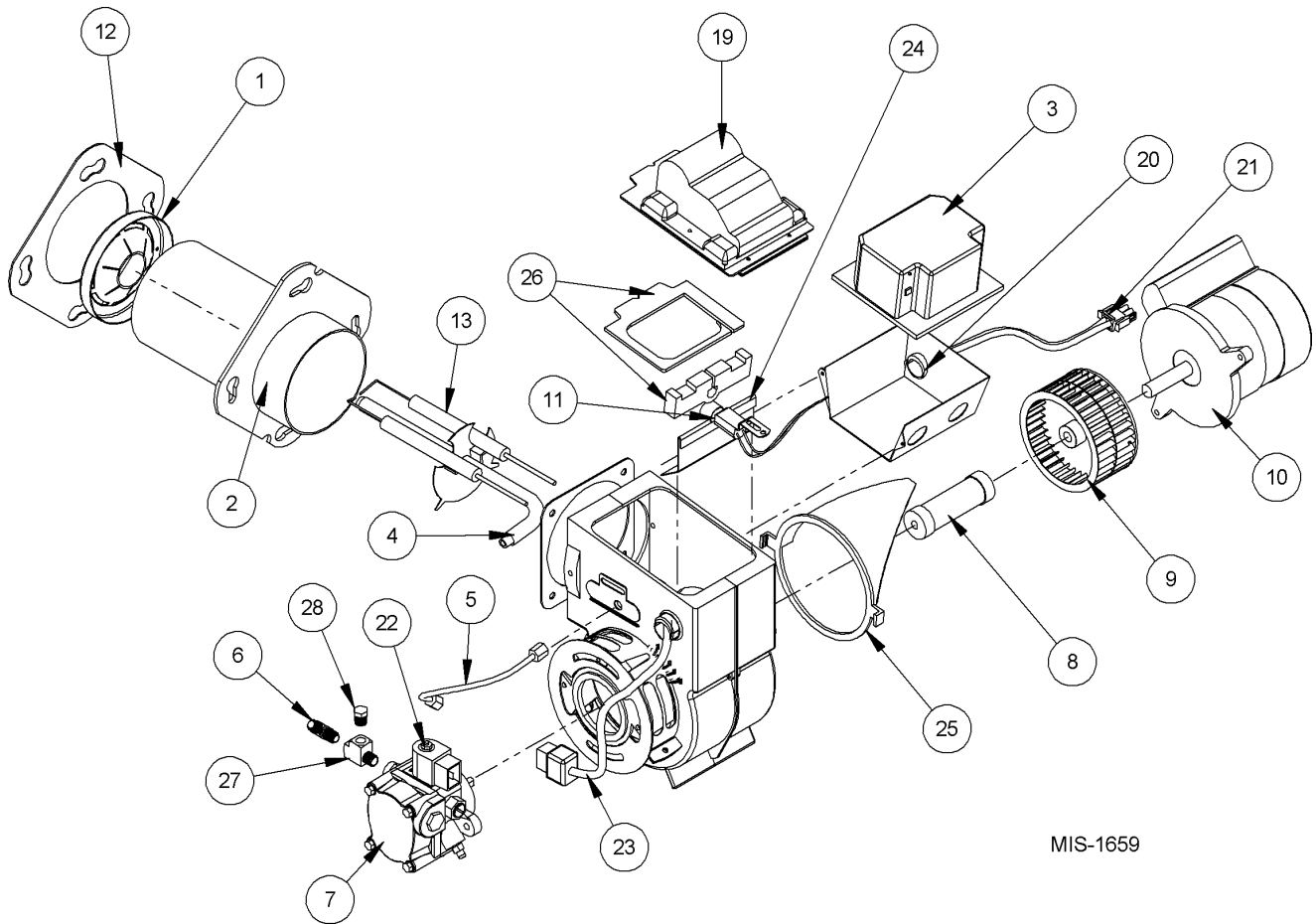
## FUNCTIONAL COMPONENTS

Drawing No.	Part No.	Description	FLR085D36D	FLR110D48D	FLR140D60D
1	900-199	Blower Assembly			X
1	900-197	Blower Assembly	X		
1	900-198	Blower Assembly		X	
2	151-073	Blower Housing Assembly	X		
2	151-082	Blower Housing Assembly		X	
2	5152-050 ①	Blower Housing Assembly			X
3	5152-014	Blower Wheel	X		
3	5152-053	Blower Wheel			X
3	5152-059	Blower Wheel		X	
4	144-128	Diffuser	X		
4	144-129	Diffuser		X	
4	N/A	Diffuser			X
5	8105-040	Motor 1/3 HP 115V CCW	X		
5	8106-033	Motor 1/2 HP 115V CW		X	
5	8107-007	Motor 3/4 HP 115V CCW			X
6	8552-002	Capacitor 5 / 370 MFD	X		
6	8552-004	Capacitor 7.5 / 370 MFD		X	
6	8552-026	Capacitor 15 / 370 MFD			X
7	8200-034	Motor Mount Arm	3	3	
7	8200-035	Motor Mount Arm			3
8	8200-033	Motor Mount Band	X	X	X
9	9020-028	Oil Burner ( Includes nozzle part no. 9011-016)	X		
9	9020-029	Oil Burner ( Includes nozzle part no. 9011-018)		X	
9	9020-030	Oil Burner ( Includes nozzle part no. 9011-020)			X
10	7003-040	Washable Filter 16 x 20 x 1	1		
10	7003-041	Washable Filter 20 x 20 x 1		1	
10	7003-042	Washable Filter 20 x 25 x 1			1
12	8406-047	Door Switch	X	X	X
13	1171-025	Door Pull	2	2	2
14	8201-006	Fan Center (2 speed relay)	X	X	X
15	8620-080	Fan / Limit Control	X	X	X
16	8601-031	Barometric Damper	X	X	X
17	1171-012	Flush Cabinet Latch	X	X	X
18	9011-016	Nozzle .75 GPH 70 degree	X		
18	9011-018	Nozzle 1.00 GPH 70 degree		X	
18	9011-020	Nozzle 1.25 GPH 70 degree			X
19	104-794	Blower Angle			2
NS	4047-117	Wire Diagram	X	X	X

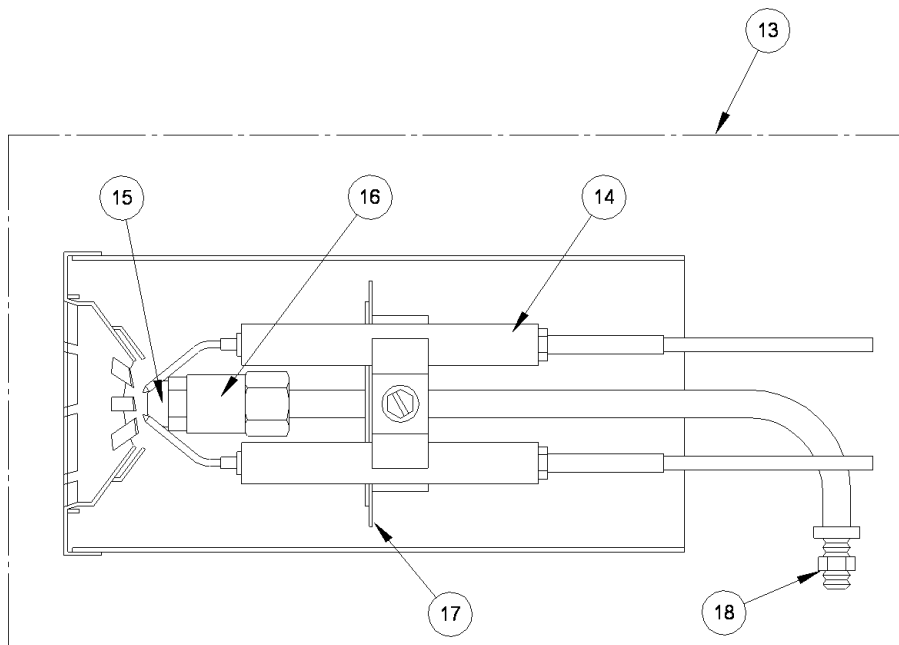
① Balloon no. 2, part no. 5152-050 includes housing, diffuser, and blower wheel part no. 5152-053

NS = Not Shown

# BURNER COMPONENTS



MIS-1659



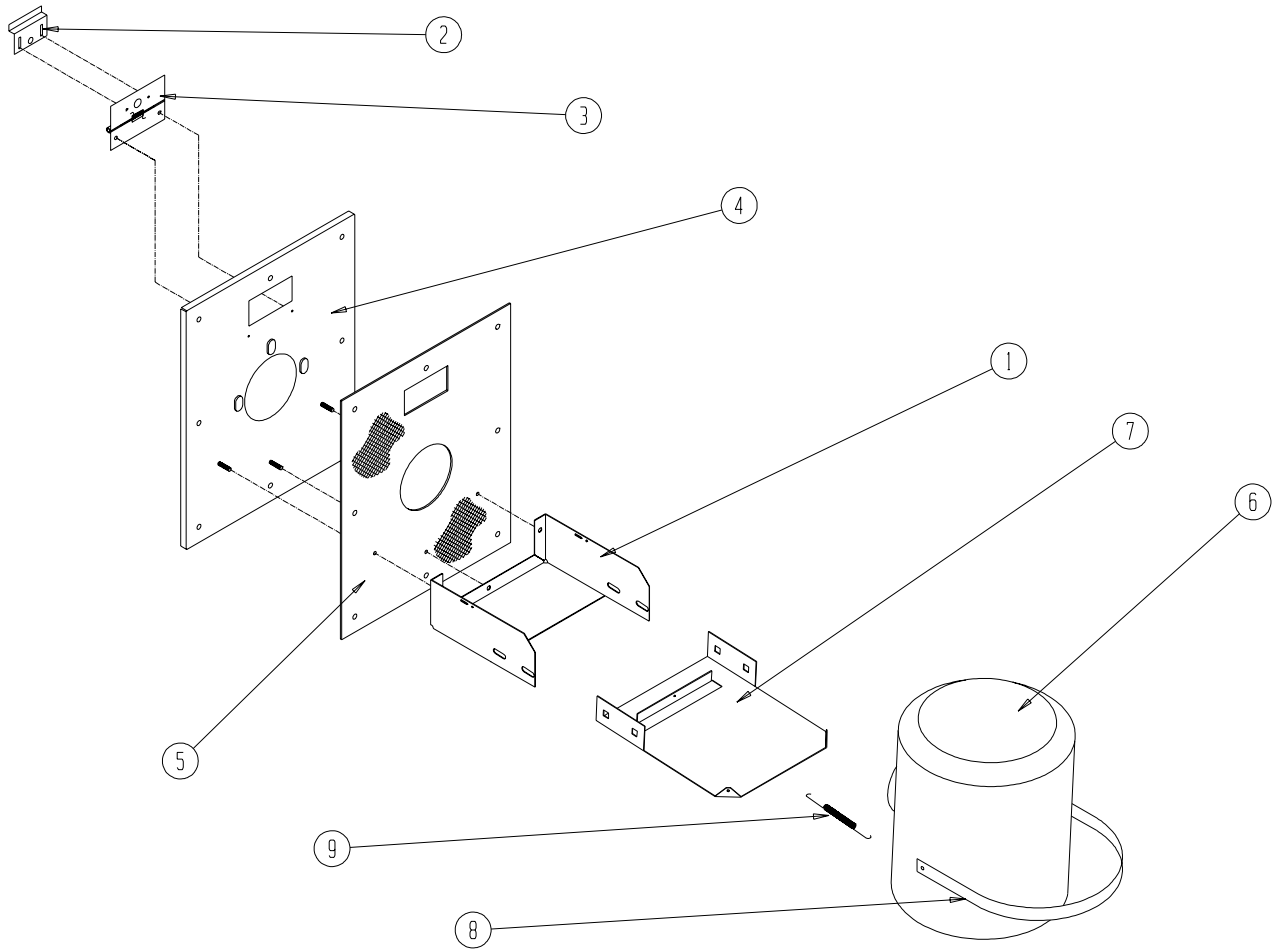
MIS-1663

# BURNER COMPONENTS

Drawing No.	Bard Part No.	Supplier Part No.	Description	FLR085D36D	FLR110D48D	FLR140D60D
1	9022-034	360004	Head (F4)	X		
1	9022-042	360006	Head (F6)		X	X
2	9022-004	51236007BK	Air Tube & Flange Assembly	X	X	X
3	9022-080	7456U	Primary Control	X	X	X
4	9022-007	571801	Bulkhead Fitting	X	X	X
5	9022-008	5636	Connector Tube	X	X	X
6	9022-009	2256	Pump Outlet Elbow	X	X	X
7	9022-082	21844U	"Cleancut" Oil Pump	X	X	X
8	9022-011	2454	Coupling	X	X	X
9	9022-083	2999	Blower Wheel	X	X	X
10	9022-084	21805R/218	PSC Motor 1/7 H.P.	X	X	X
11	9022-085	7006Q	CAD Cell	X	X	X
12	9022-021	3811	Mounting Flange Gasket	X	X	X
13	9022-014	NL90YH	Nozzle Line Electrode Assembly	X	X	X
14	9022-017	5780	Electrode Insulator Assembly	X	X	X
15	9011-016	2663	Nozzle .75 GPH 70 degree A	X		
15	9011-018	2711	Nozzle 1.00 GPH 70 degree A		X	
15	9011-020	21383	Nozzle 1.25 GPH 70 degree A			X
16	9022-016	213U	Nozzle Adapter	X	X	X
17	9022-023	3384	Static Plate (3-3/8")	X	X	X
18	9022-018	3666	Bulkhead Fitting Locknut	X	X	X
19	9022-079	7440	Solid State Igniter	X	X	X
20	9022-086	3741	Junction Box	X	X	X
21	9022-055	31838	Power Cord	X	X	X
22	9022-087	21755	Solenoid Valve Coil	X	X	X
23	9022-088	21807	Solenoid Valve Cord	X	X	X
24	9022-089	3708	Restrictor Baffle	X	X	X
25	9022-090	31231	Air Guide	X	X	X
26	9022-093	51304	Igniter Gasket Kit	X	X	X
27	9022-091	21398	Pressure Gauge Tee Fitting	X	X	X
28	9022-092	21397	Pressure Gauge Tee Fitting Plug	X	X	X

# BURNER/COMBUSTION CHAMBER MOUNTING SYSTEM

---



SEXP-197



## BURNER/COMBUSTION CHAMBER MOUNTING SYSTEM

---

Drawing No.	Part No.	Description	FLR085D36D	FLR110D48D	FLR140D60D
1	112-170	Combustion Chamber Bracket	X	X	
1	112-168	Combustion Chamber Bracket			X
2	142-026	Inspection Door Cover Plate	X	X	X
3	142-027	Inspection Door Hinge	X	X	X
4	161-033	Front Plate Assembly	X	X	
4	161-034	Front Plate Assembly			X
5	1921-026	Front Plate Gasket	X	X	
5	1921-027	Front Plate Gasket			X
6	7090-014	Combustion Chamber	X	X	
6	7090-013	Combustion Chamber			X
7	S112-160	Bracket Extension	X	X	
7	S112-167	Bracket Extension			X
8	140-198	Combustion Chamber Support	X	X	
8	140-199	Combustion Chamber Support			X
9	5401-004	Stainless Steel Spring	X	X	X
	S173-00	Complete Assembly of All Parts	X	X	
	S173-079	Complete Assembly of All Parts			X