
REPLACEMENT PARTS MANUAL

OIL FIRED FURNACE

Model:
FC085D36F

General Notes

- Revised and/or additional pages may be issued from time to time.
- A complete and current manual consists of pages shown in the following contents section.

Important

- Contact the installing and/or local Bard distributor for all parts requirements. Make sure you have the complete model and serial number available from the unit rating plate.

Contents

Description	Page
Cabinet and Functional Components	
♦ Exploded View	2
♦ Usage List	3
Control Panel	
♦ Layout View	4
♦ Usage List	5
Blower Assembly	
♦ Exploded View	6
♦ Usage List	7
Burner Assembly	
♦ Exploded View	8
♦ Usage List	9
Burner Components	
♦ Exploded View	10
♦ Usage List	11

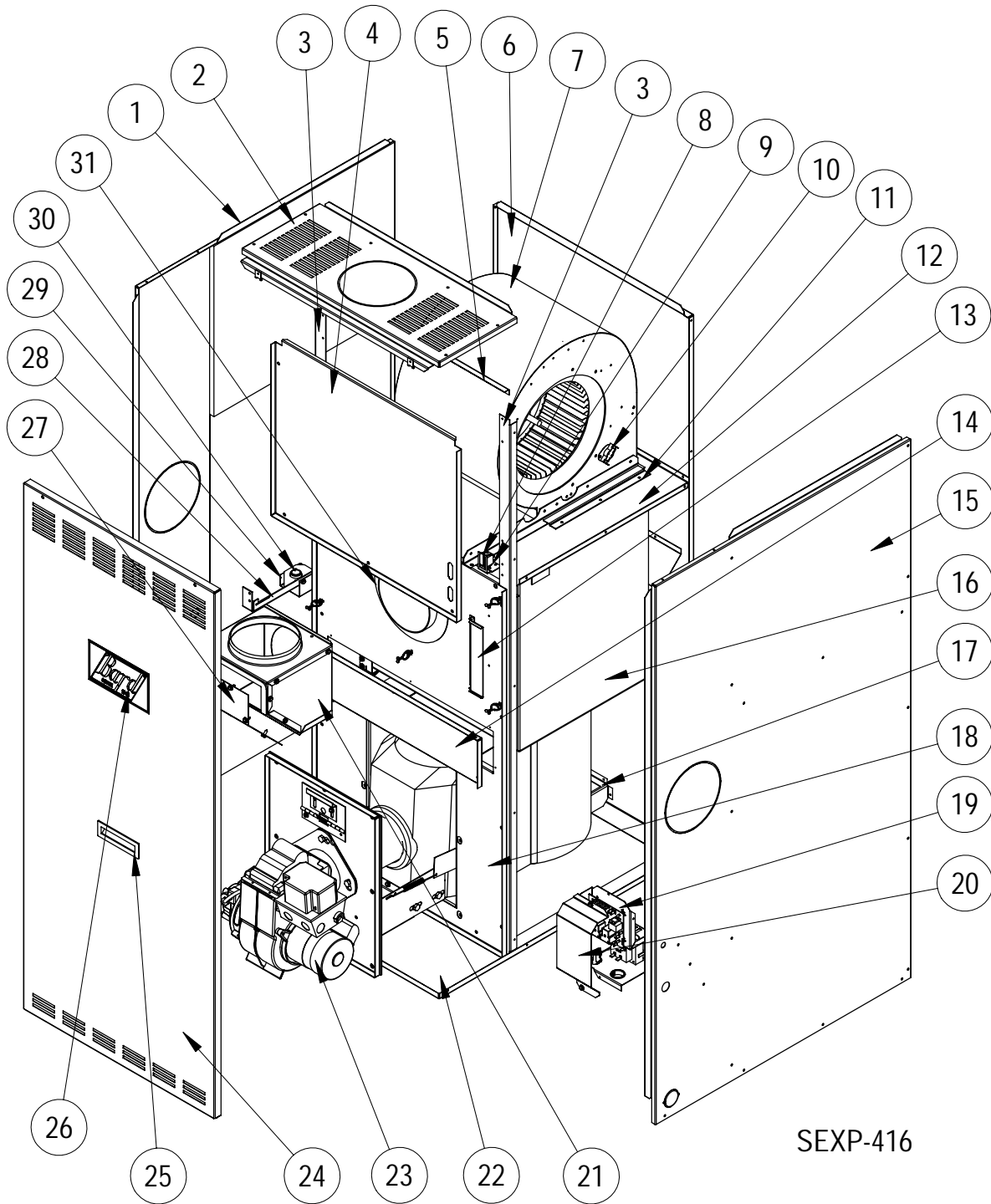


Bard Manufacturing Company, Inc.
Bryan, Ohio 43506

Since 1914...Moving ahead, just as planned.

Manual: 2110-927E
Supersedes: 2110-927D
File: Tab 3
Date: 08-16-10

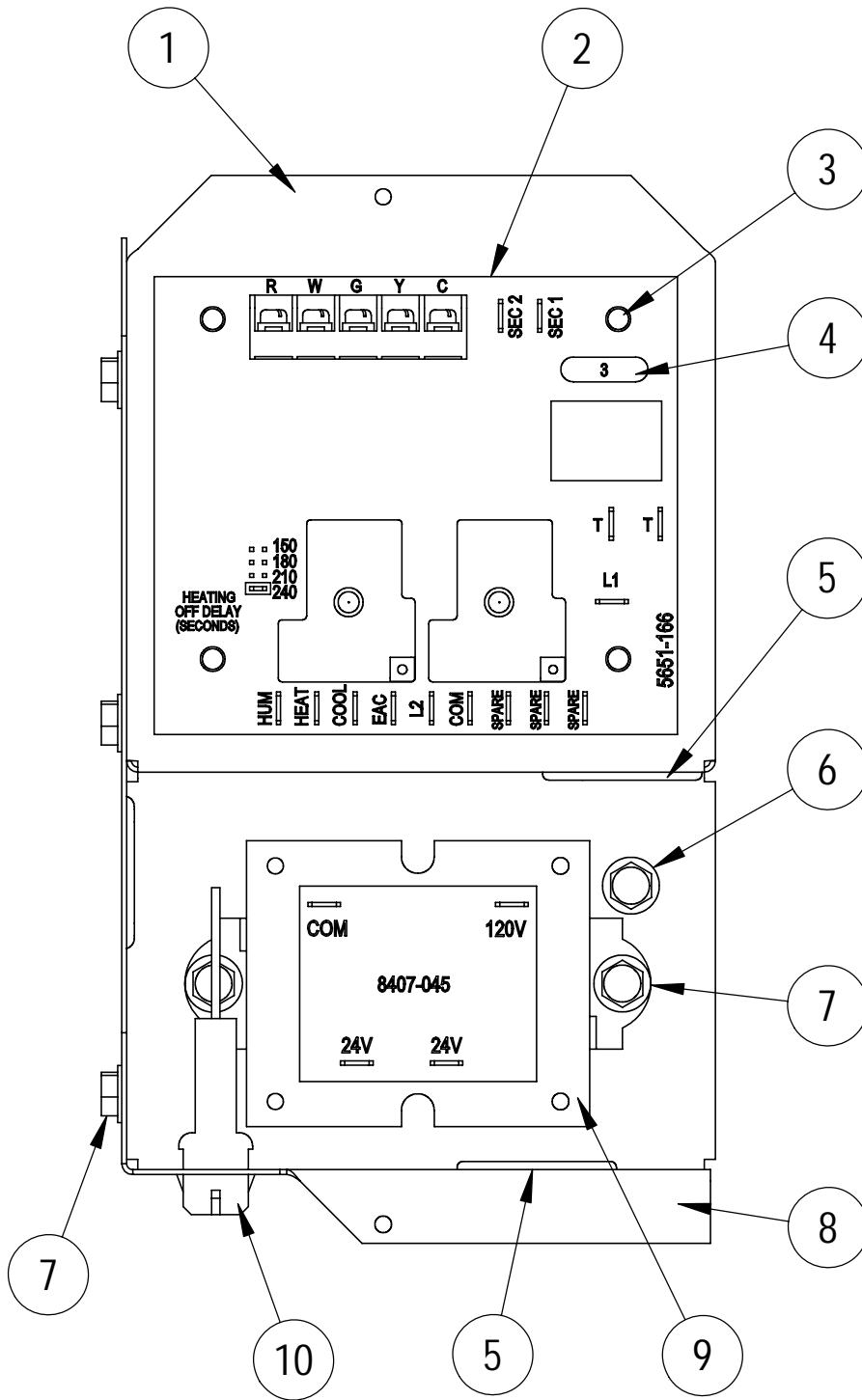
CABINET and FUNCTIONAL COMPONENTS



CABINET and FUNCTIONAL COMPONENTS

Drawing No.	Part No.	Description	FC085D36F
1	S101-418-4	Left Side	X
2	S107-231-4	Top Fill	X
3	105-1151	Side Angle	2
4	S153-363	Blower Door	X
5	105-1152	Top Fill Angle	X
6	S109-174-4	Back	X
7	S900-265	Blower Assembly	X
8	113-304	Door Switch Bracket	X
9	8406-076	Door Switch	X
10	8402-020	Auxiliary Limit L135	X
11	103-450	Blower Base Offset	2
12	127-333	Blower Base	X
13	134-208	Wire Shield	X
14	S143-090	Front Clean Out Cover	X
15	S101-417-4	Right Side	X
16	S171-272	Heat Exchanger	X
17	140-315	Rear Heat Exchanger Support	X
18	S121-373	Burner Partition	X
19	S117-252	Control Panel	X
20	133-179	Control Panel Cover	X
21	S169-150	Flue Box	X
22	S127-332	Lower Base	X
23	9020-026	Burner Assembly	X
24	S153-360-4	Vestibule Door	X
25	1171-025	Door Pull	X
26	5252-008	Bard Nameplate	X
26	169-152	Flue Box Cover	X
27	112-298	Primary Limit Bracket	X
28	143-091	Primary Limit Cover	X
29	8402-154	Primary Limit	X
30	1921-037	Smoke Pipe Gasket	X

CONTROL PANEL

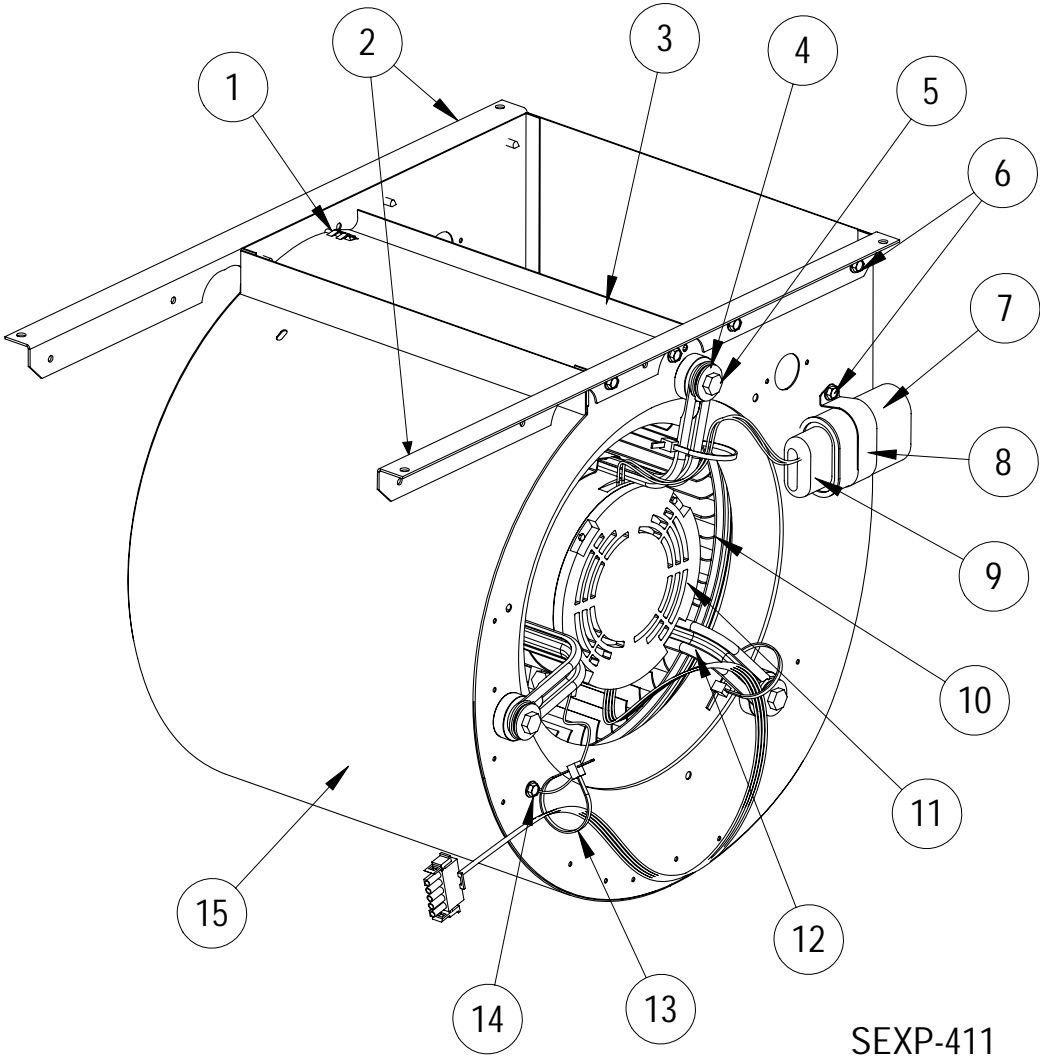


SEXP-415

CONTROL PANEL

Drawing No.	Part No.	Description	FC085D36F
1	S117-252	Control Panel	X
2	5651-166	Oil Furnace Blower Control	X
3	— — —	1/4" Standoff .188 dia. x .156 dia.	4
4	8614-045	3 Amp Fuse	X
5	8611-017	1.125" Snap Bushing	2
6	1012-153	Screw Type AB 10-16x1/2"	X
7	1012-086	Screw Type AB 10-16x1/2" w/nibs	X
8	117-253	Control Panel Wrapper	X
9	8407-045	Transformer 120/24V 40 VA	X
10	3000-1198	Wire Assembly	X

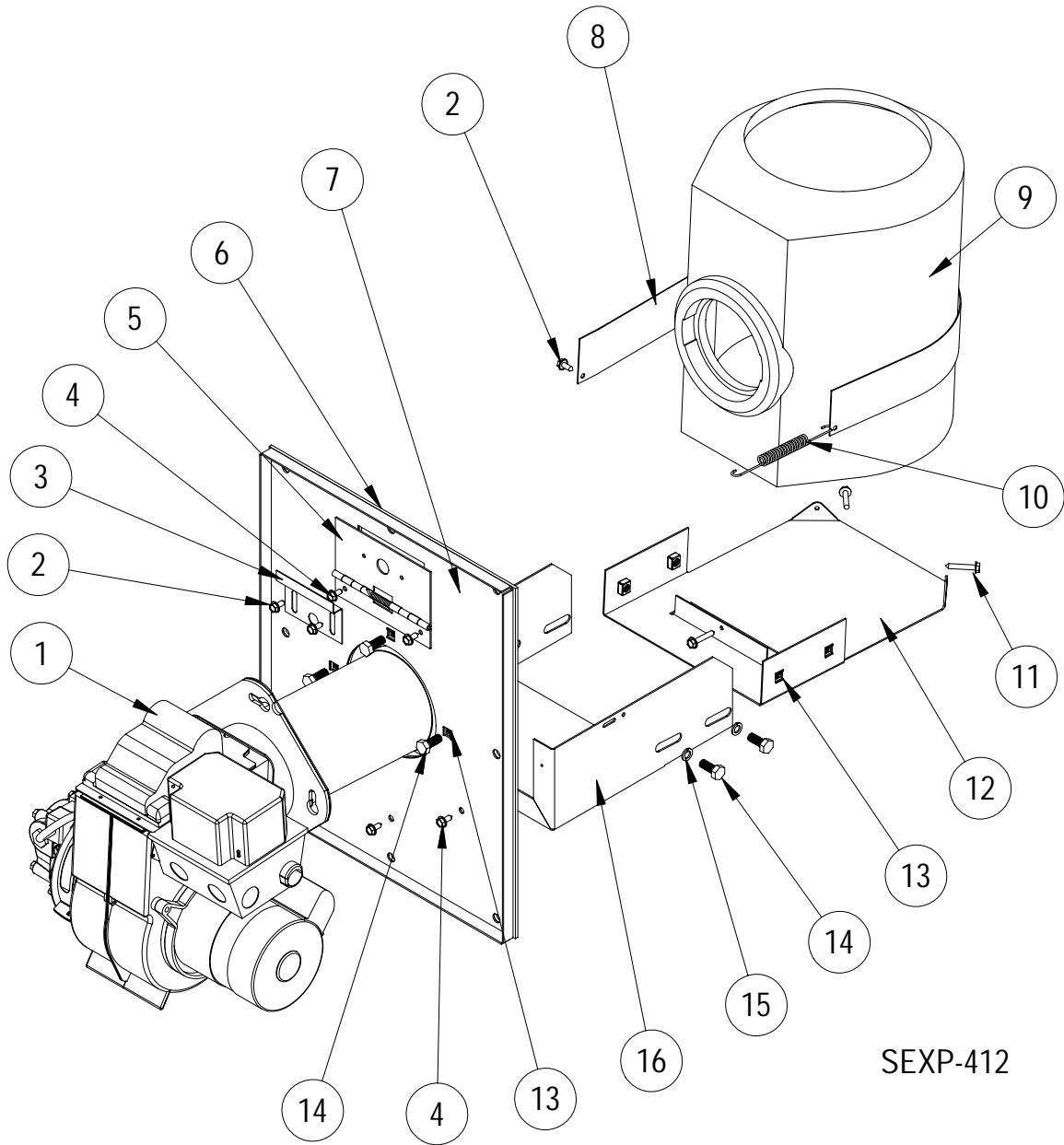
BLOWER ASSEMBLY



BLOWER ASSEMBLY

Drawing No.	Part No.	Description	FC085D36F
1	1012-088	Screw Type AB #10 – 16x3/4	2
2	104-1134	Blower Angle	2
3	144-128	Diffuser	X
4	1012-109	Washer	3
5	1012-076	1/4 - 20x1-1/4 Type I Bolt	3
6	1012-086	Screw Type AB #10 – 16x1/2 w/nibs	10
7	8552-002	Capacitor 5.0 MFD 370V	X
8	8550-003	Capacitor Bracket	X
9	861-002	Capacitor Boot	X
10	5152-014	Blower Wheel CW 1/2" 10-9DD	X
11	8105-040	Motor 1/3 HP 115V CCW 1075 3 Speed	X
12	8620-034	Motor Mount Kit	X
13	7950-009	Wire Tie	X
14	1012-153	Screw Type AB #10 – 16x1/2	X
15	151-073	Blower Housing	X

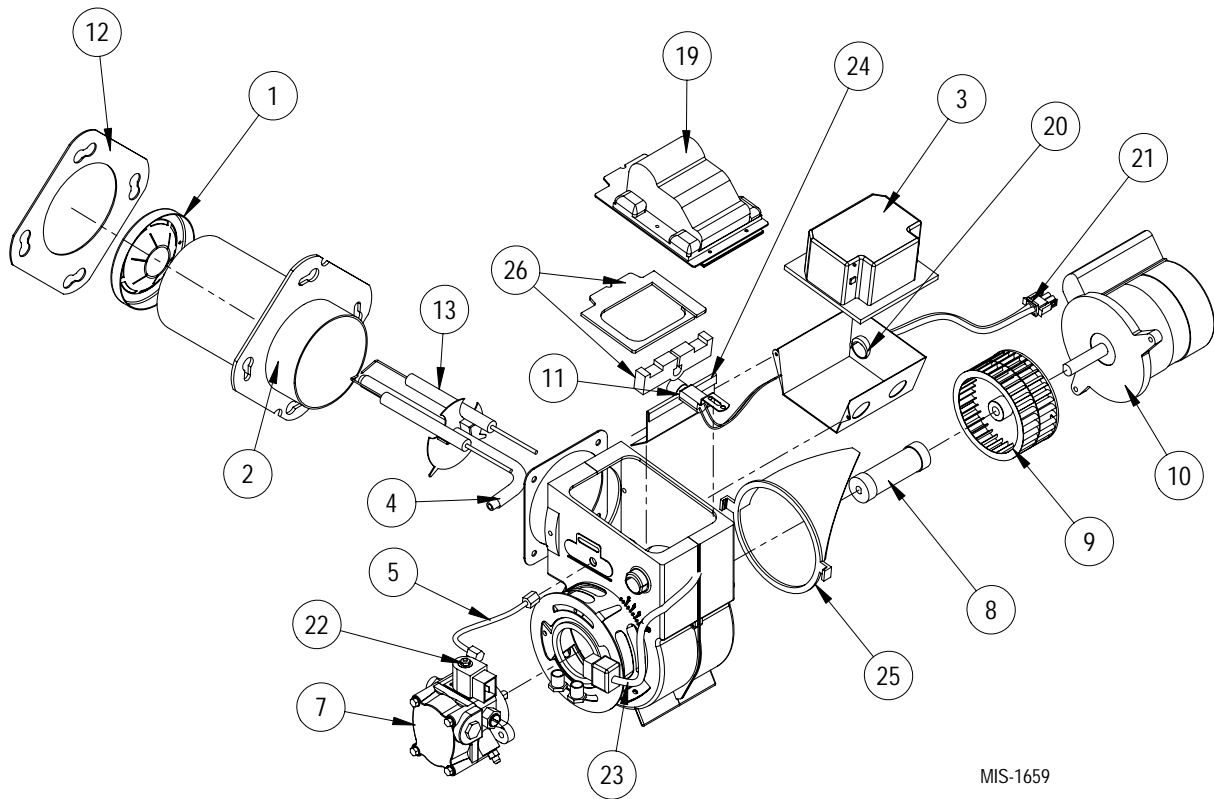
BURNER ASSEMBLY



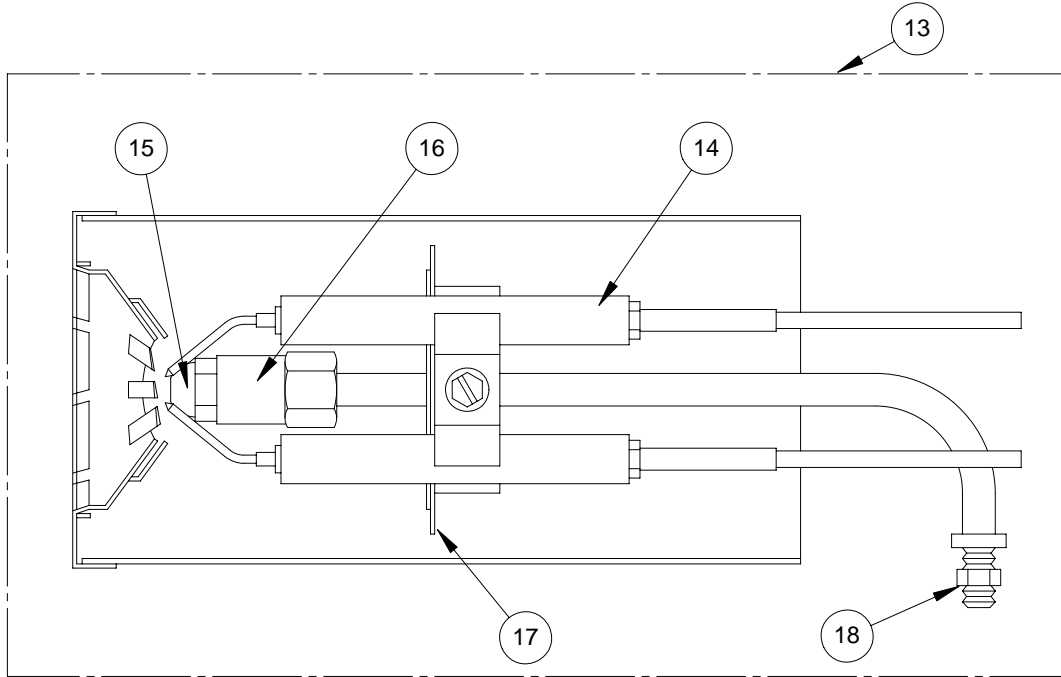
BURNER ASSEMBLY

Drawing No.	Part No.	Description	FC085D36F
1	9020-034	AFG Burner w/GeniSys Primary .75 GHP 70° H	X
2	1012-153	Screw Type AB #10 – 16x1/2"	3
3	143-026	Inspection Door Cover Plate	X
4	1012-086	Screw Type AB #10 – 16x1/2" w/nibs	5
5	142-027	Inspection Door hinge	X
6	1921-057	Front Plate Gasket	X
7	S160-036	Front Plate Assembly	X
8	140-198	Combustion Chamber Support	X
9	7090-014	Pyrolite Combustion Chamber	X
10	5401-004	Stainless Steel Spring	X
11	1012-145	Screw Type AB #10 – 16x1"	3
12	S140-292	Bracket Extension	X
13	1012-218	1/4 – 20 Cage Nut	7
14	1012-051	1/4 – 20x3/4 Hex Head Bolt	7
15	1012-126	1/4" Type "A" Washer	4
16	112-297	Combustion Chamber Bracket	X

BURNER COMPONENTS



MIS-1659



MIS-1663

BURNER COMPONENTS

Drawing No.	Bard Part No.	Supplier Part No.	Description	FC085D36F
1	9022-034	360004	Head (F4)	X
2	9022-004	51236007BK	Air Tube & Flange Assembly	X
3	9022-095	7505B	Primary Control (GeniSys)	X
4	9022-007	571801	Bulkhead Fitting	X
5	9022-008	5636	Connector Tube	X
7	9022-082	21844U	"CleanCut" Oil Pump	X
8	9022-011	2454	Coupling	X
9	9022-083	2999	Blower Wheel	X
10	9022-084	21805R/218	PSC Motor 1/7 H.P.	X
11	9022-085	7006Q	CAD Cell	X
12	9022-021	3811	Mounting Flange Gasket	X
13	9022-014	NL90YH	Nozzle Line Electrode Assembly	X
14	9022-017	5780	Electrode Insulator Assembly	X
15	9011-016	2663	Nozzle .75 GPH 70 Degree Hollow	X
16	9022-016	312U	Nozzle Adapter	X
17	9022-023	3384	Static Plate (3-3/8")	X
18	9022-018	3666	Bulkhead Fitting Locknut	X
19	9022-079	7440	Solid State Igniter	X
20	9022-058	5770	Junction Box	X
21	9022-055	31838	Power Cord	X
22	9022-087	21755	Solenoid Valve Coil	X
23	9022-088	21807	Solenoid Valve Cord	X
24	9022-089	3708	Restrictor Baffle	X
25	9022-090	31231	Air Guide	X
26	9022-093	51304	Igniter Gasket Kit	X