

# REPLACEMENT PARTS MANUAL

## GENERAL ACCESSORY HEAT RECOVERY UNIT MODEL HRU2-5A

Manual 2110-951

Revision --

Date 8-16-89

Supersedes

\*\*\*\*\*  
\* GENERAL NOTES \*  
\*\*\*\*\*

\*Revised and/or additional pages may be issued from time to time.  
\*A complete and current manual consists of pages dated as shown in the following index.

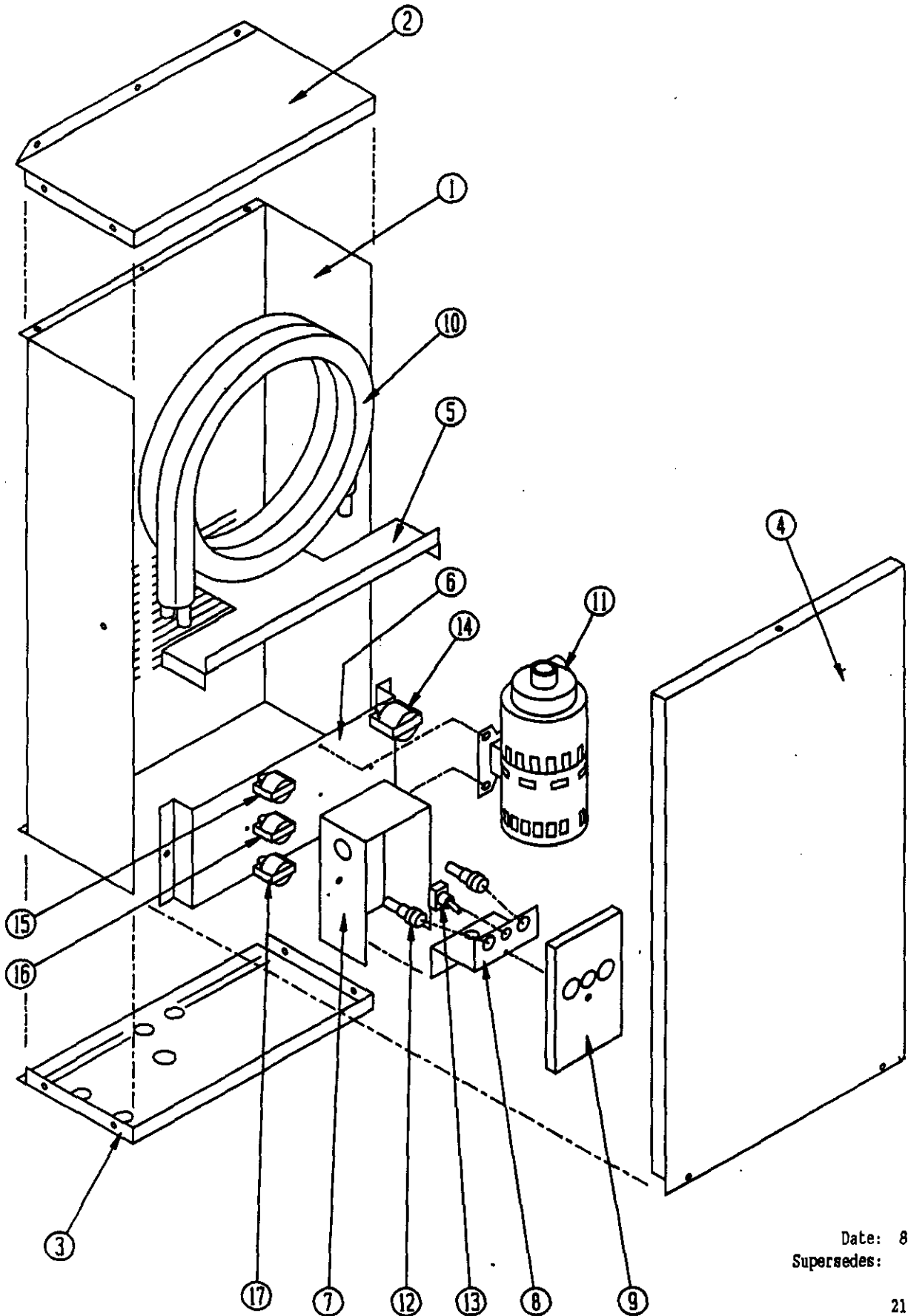
\*\*\*\*\*  
\*\* INDEX \*\*  
\*\*\*\*\*

<u>Page Description</u>	<u>Page</u>	<u>Date</u>	<u>Supersedes</u>
Functional Components--Layout	1	8-16-89	
" " --Usage List	2	8-16-89	

\*\*\*\*\*  
\*\*\* IMPORTANT \*\*\*  
\*\*\*\*\*

Contact the installing and/or local Bard distributor for all parts requirements. Make sure you have the complete model and serial number available from the unit rating plate.

FUNCTIONAL COMPONENTS



Date: 8-16-89  
Supersedes:

FUNCTIONAL COMPONENTS

Dwg. No.	Part No.	Description	U S A G E
1	100-050	Wrapper	X
2	108-013	Back	X
3	114-014	Front	X
4	106-031	Top	X
5	120-028	Partition	X
6	140-062	Support	X
7	116-056	Electrical Box	X
8	116-057	Fuse/Switch Bracket	X
9	132-025	Cover	X
10	5052-004	Desuperheater Coil	X
11	8300-001	Water Pump	X
12	8614-036	Circuit Breaker	2
13	8406-020	Toggle Switch	X
14	8408-007	Thermostat--Water Pump	X
15	8408-010	Thermostat--Freeze Protection	X
16	8408-009	Thermostat--Discharge Tube	X
17	8408-011	Thermostat--Water Line	X

Date: 8-16-89  
Supersedes: .

1

2

3