

# REPLACEMENT PARTS MANUAL

## GENERAL ACCESSORY ELECTRONIC AIR CLEANER MODELS EC14, EC20

Manual 2110-953

Revision B

Date 10-01-92

Supersedes 12-21-89

\*\*\*\*\*  
\* GENERAL NOTES \*  
\*\*\*\*\*

\*Revised and/or additional pages may be issued from time to time.  
\*A complete and current manual consists of pages dated as shown in the following index.

\*\*\*\*\*  
\*\* INDEX \*\*  
\*\*\*\*\*

<u>Page Description</u>	<u>Page</u>	<u>Date</u>	<u>Supersedes</u>
Functional Components--Exploded View	1	12-21-89	
" " --Usage List	2	10-01-92	12-21-89

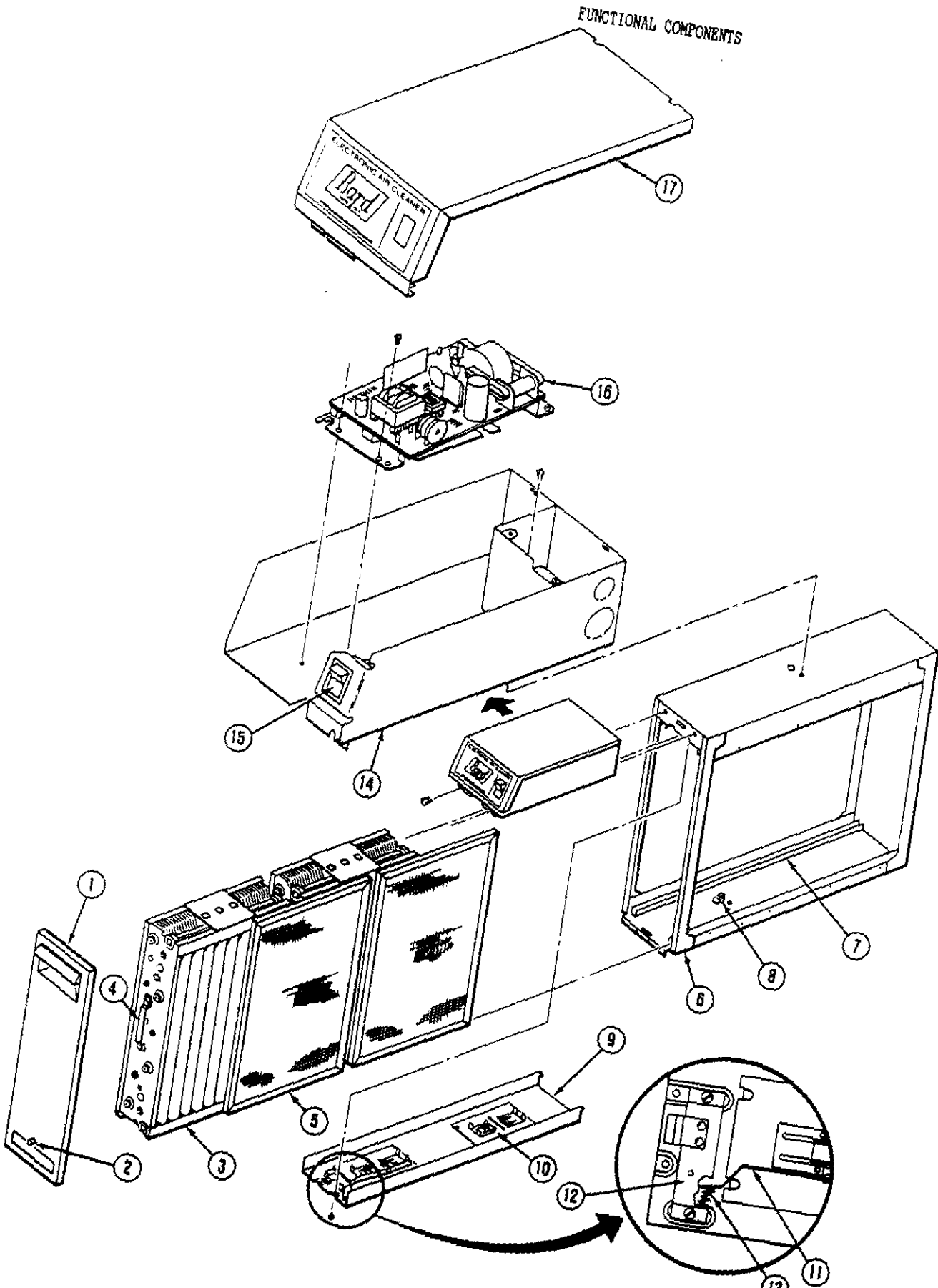
\*\*\*\*\*  
\*\*\* IMPORTANT \*\*\*  
\*\*\*\*\*

Contact the installing and/or local Bard distributor for all parts requirements. Make sure you have the complete model and serial number available from the unit rating plate.

BARD MANUFACTURING COMPANY

BRYAN, OHIO 43506

FUNCTIONAL COMPONENTS



Date: 12-21-89  
Supersedes:

FUNCTIONAL COMPONENTS

Dwg. No.	Part No.	Description	EC14	EC20
2	8610-039	Test Button	x	x
3	8610-015	Electronic Cell FC37A1130	2	
3	8610-016	Electronic Cell FC37A1064		2
4	8610-017	Cell Handle 137266	2	2
5	8610-018	Protective Screen 136388	2	
5	8610-019	Protective Screen 136389		2
8	8610-020	Cell Key 136518	x	x
10	8610-021	Contact Board 136383A	2	2
11	8610-022	Shorting Arm 136387A	x	x
12	8610-023	Shorting Arm Bracket 136382A	x	x
13	8610-024	Shorting Arm Spring 136517	x	x
		(INCLUDES ITEMS 15 THROUGH 17)		
14	*	Power Box Assembly 197667W	x	
14	8610-040	Power Box Assembly 197667V		x
15	8610-025	Switch/Indicator Light 139034	x	x
16	8610-026	Power Supply 220429P	x	
16	8610-027	Power Supply 220429N		x
NS	8610-034	Ionizer Assembly 136434AA		x
NS	8610-035	Ionizer Assembly 136434BA	x	

NS - Not shown

\*Contact factory for information.

Date: 10-01-92  
Supersedes: 12-21-89

2110-953  
Page: 2

