

REPLACEMENT PARTS MANUAL

GENERAL ACCESSORY ELECTRONIC AIR CLEANER MODELS: EC14, EC20, EC14A, EC20A

Manual 2110-953

Revision C

Date 09-24-93

Supersedes 10-01-92

* GENERAL NOTES *

*Revised and/or additional pages may be issued from time to time.
*A complete and current manual consists of pages dated as shown in the following index.

** INDEX **

<u>Page Description</u>	<u>Page</u>	<u>Date</u>	<u>Supersedes</u>
EC14, EC20 Functional Components--Exploded View	1	12-21-89	
" " " " --Usage List	2	09-24-93	10-01-92
EC14A, EC20A Functional Components--Exploded View	3	09-24-93	
" " " " --Usage List	4	09-24-93	

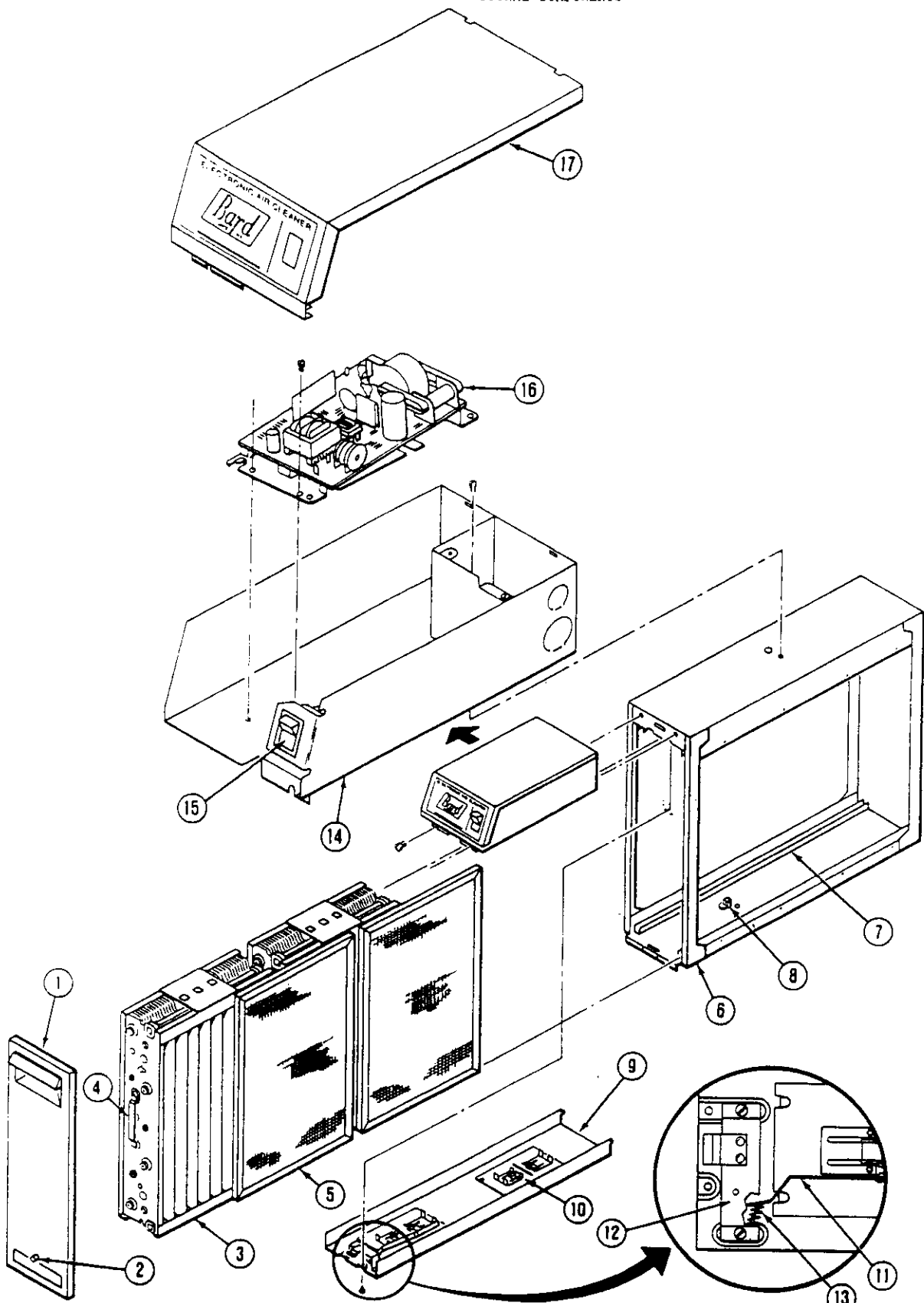
*** IMPORTANT ***

Contact the installing and/or local Bard distributor for all parts requirements. Make sure you have the complete model and serial number available from the unit rating plate.

BARD MANUFACTURING COMPANY

BRYAN, OHIO 43506

FUNCTIONAL COMPONENTS



Date: 12-21-89
Supersedes:

FUNCTIONAL COMPONENTS

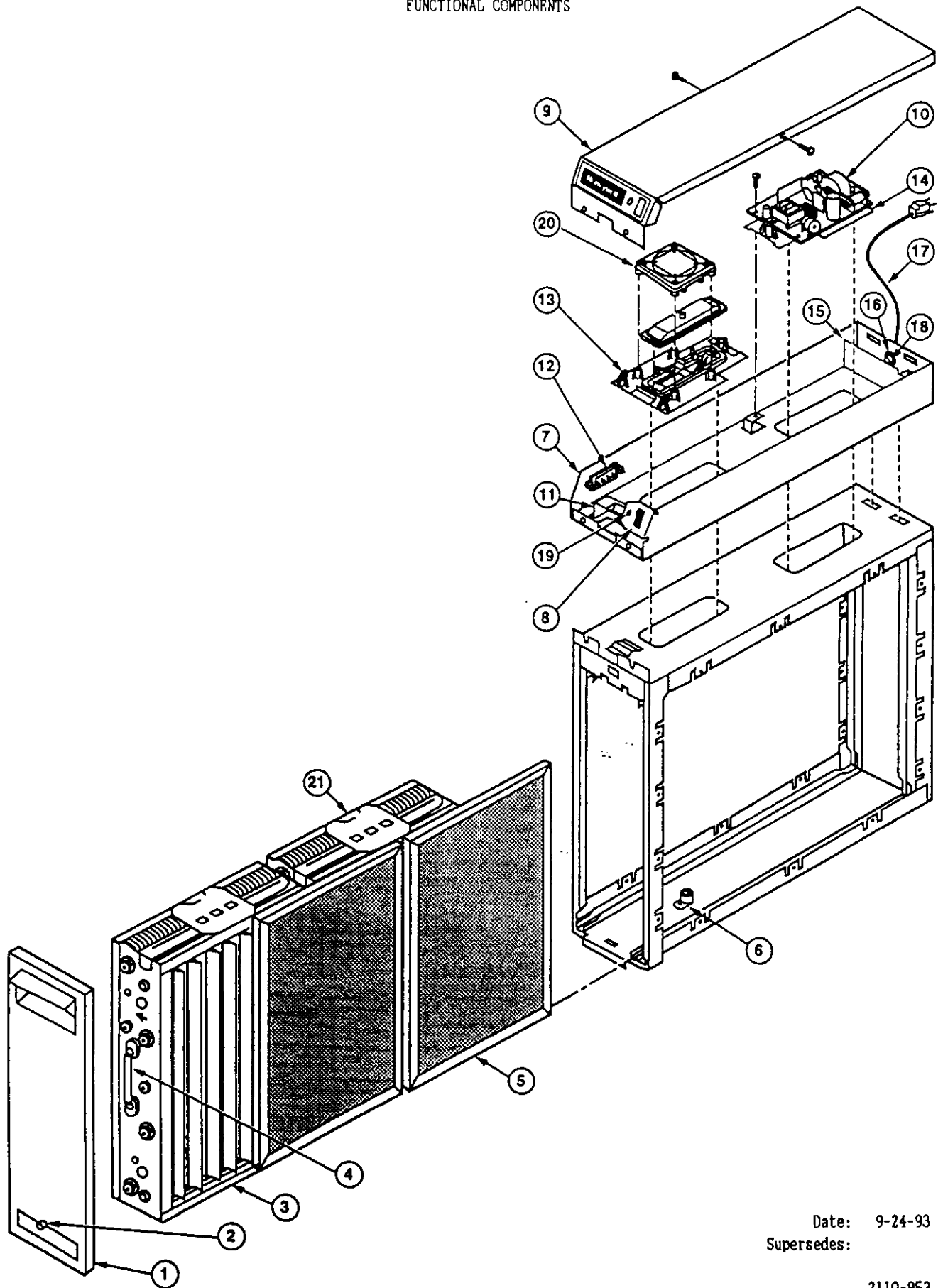
Dwg. No.	Part No.	Description	EC14	EC20
2	8610-039	Test Button 137980A	x	x
3	8610-015	Electronic Cell FC37A1130	2	
3	8610-016	Electronic Cell FC37A1064		2
4	8610-017	Cell Handle 137266	2	2
5	8610-018	Protective Screen 136388	2	
5	8610-019	Protective Screen 136389		2
8	8610-020	Cell Key 136518	x	x
10	8610-021	Contact Board 136383A	2	2
11	8610-022	Shorting Arm 136387A	x	x
12	8610-023	Shorting Arm Bracket 136382A	x	x
13	8610-024	Shorting Arm Spring 136517	x	x
		(INCLUDES ITEMS 15 THROUGH 17)		
14	8610-038	Power Box Assembly 136397K	x	
14	8610-040	Power Box Assembly 136397J		x
15	8610-025	Switch/Indicator Light 199840	x	x
16	8610-026	Power Supply 220429BXA	x	
16	8610-027	Power Supply 220429AXA		x
NS	8610-034	Ionizer Assembly 136434AA		x
NS	8610-035	Ionizer Assembly 136434BA	x	

NS - Not shown

Date: 09-24-93
Supersedes: 10-01-92

2110-953
Page: 2

FUNCTIONAL COMPONENTS



Date: 9-24-93
Supersedes:

2110-953
Page: 3

FUNCTIONAL COMPONENTS

Dwg. No.	Part No.	Description	EC14A	EC20A
2	8610-039	Test Button 137980A	x	x
3	8610-015	Electronic Cell FC37A1130	2	
3	8610-016	Electronic Cell FC37A1064		2
4	8610-017	Cell Handle 137266	2	2
5	8610-018	Protective Screen 136388	2	
5	8610-019	Protective Screen 136389		2
6	8610-020	Cell Key 136518	x	x
		(INCLUDES ITEMS 8 THROUGH 20)		
7	*	Power Box Assembly 203314L	x	
7	*	Power Box Assembly 203314K		x
8	8610-041	Switch 203321	x	x
10	8610-042	Power Supply 203101B	x	
10	8610-043	Power Supply 203101A		x
11	*	Interlock Bracket and Switch 4074ETG	x	x
12	*	W8600 Terminal Strip 200546C	x	x
13	*	Terminal Board Assembly 203329B	x	x
14	*	Terminal Board Assembly 203329A	x	x
15	*	Barrier Plate 203331	x	x
17	*	Line Cord 4074ETD	x	x
19	8610-044	Neon Assembly 4074ETE	x	x
20	8610-045	Airflow Switch 4074ETF	x	x
NS	8610-035	Ionizer Assembly 136434BA	x	
NS	8610-034	Ionizer Assembly 136434AA		x

*Contact factory for information

Date: 09-24-93
Supersedes:

