

REPLACEMENT PARTS MANUAL

GENERAL ACCESSORY ELECTRONIC AIR CLEANER MODELS EC14, EC20

Manual 2110-953

Revision --

Date 12-21-89

Supersedes

* GENERAL NOTES *

*Revised and/or additional pages may be issued from time to time.
*A complete and current manual consists of pages dated as shown in the following index.

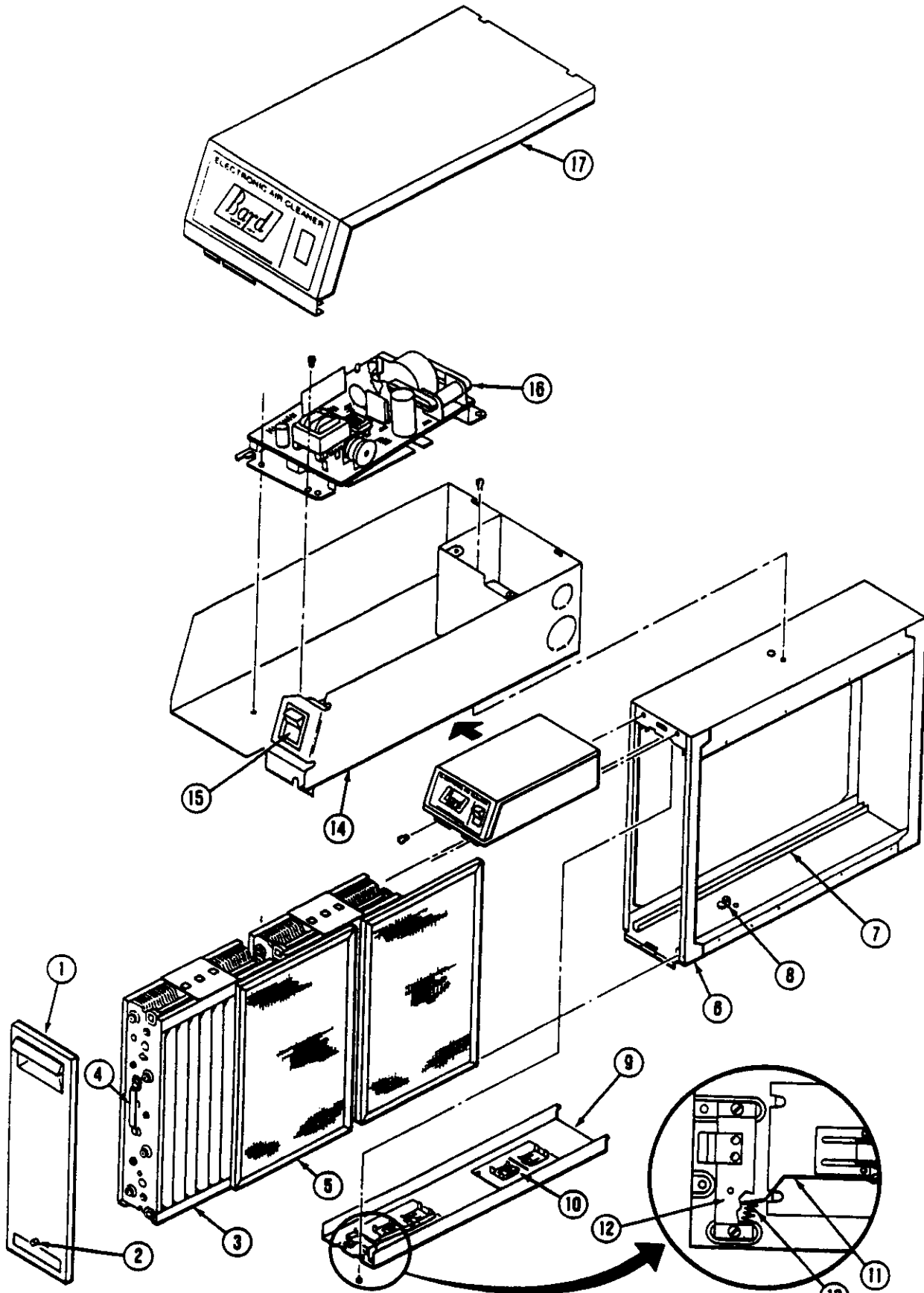
** INDEX **

<u>Page Description</u>	<u>Page</u>	<u>Date</u>	<u>Supersedes</u>
Functional Components--Exploded View	1	12-21-89	
" " --Usage List	2	12-21-89	

*** IMPORTANT ***

Contact the installing and/or local Bard distributor for all parts requirements. Make sure you have the complete model and serial number available from the unit rating plate.

FUNCTIONAL COMPONENTS



Date: 12-21-89
Supersedes:

FUNCTIONAL COMPONENTS

Dwg. No.	Part No.	Description	EC14	EC20
2	8610-039	Test Button	x	x
3	8610-015	Electronic Cell FC37A1130	2	
3	8610-016	Electronic Cell FC37A1064		2
4	8610-017	Cell Handle 137266	2	2
5	8610-018	Protective Screen 136388	2	
5	8610-019	Protective Screen 136389		2
8	8610-020	Cell Key 136518	x	x
10	8610-021	Contact Board 136383A	2	2
11	8610-022	Shorting Arm 136387A	x	x
12	8610-023	Shorting Arm Bracket 136382A	x	x
13	8610-024	Shorting Arm Spring 136517	x	x
		(INCLUDES ITEMS 15 THROUGH 17)		
14	*	Power Box Assembly 197667W	x	
14	8610-040	Power Box Assembly 197667V		x
15	8610-025	Switch/Indicator Light 139034	x	x
16	8610-026	Power Supply 220429P	x	
16	8610-027	Power Supply 220429N		x
NS	8610-034	Ionizer Assembly 136434AA	x	
NS	8610-035	Ionizer Assembly 136434BA		x

NS - Not shown

*Contact factory for information.

Date: 12-21-89
Supersedes:

