

REPLACEMENT PARTS MANUAL

GENERAL ACCESSORY
HEAT RECOVERY UNIT
MODEL: **HRU2-5B**

Manual **2110-954** Revision **A** Date **09-01-94** Supersedes **12-19-90**

* GENERAL NOTES *

*Revised and/or additional pages may be issued from time to time.
*A complete and current manual consists of pages dated as shown in the following index.

** INDEX **

<u>Page</u>	<u>Description</u>	<u>Page</u>	<u>Date</u>	<u>Supersedes</u>
Functional	Components--Layout	1	12-19-90	
II	II --Usage List	2	09-01-94	12-19-90

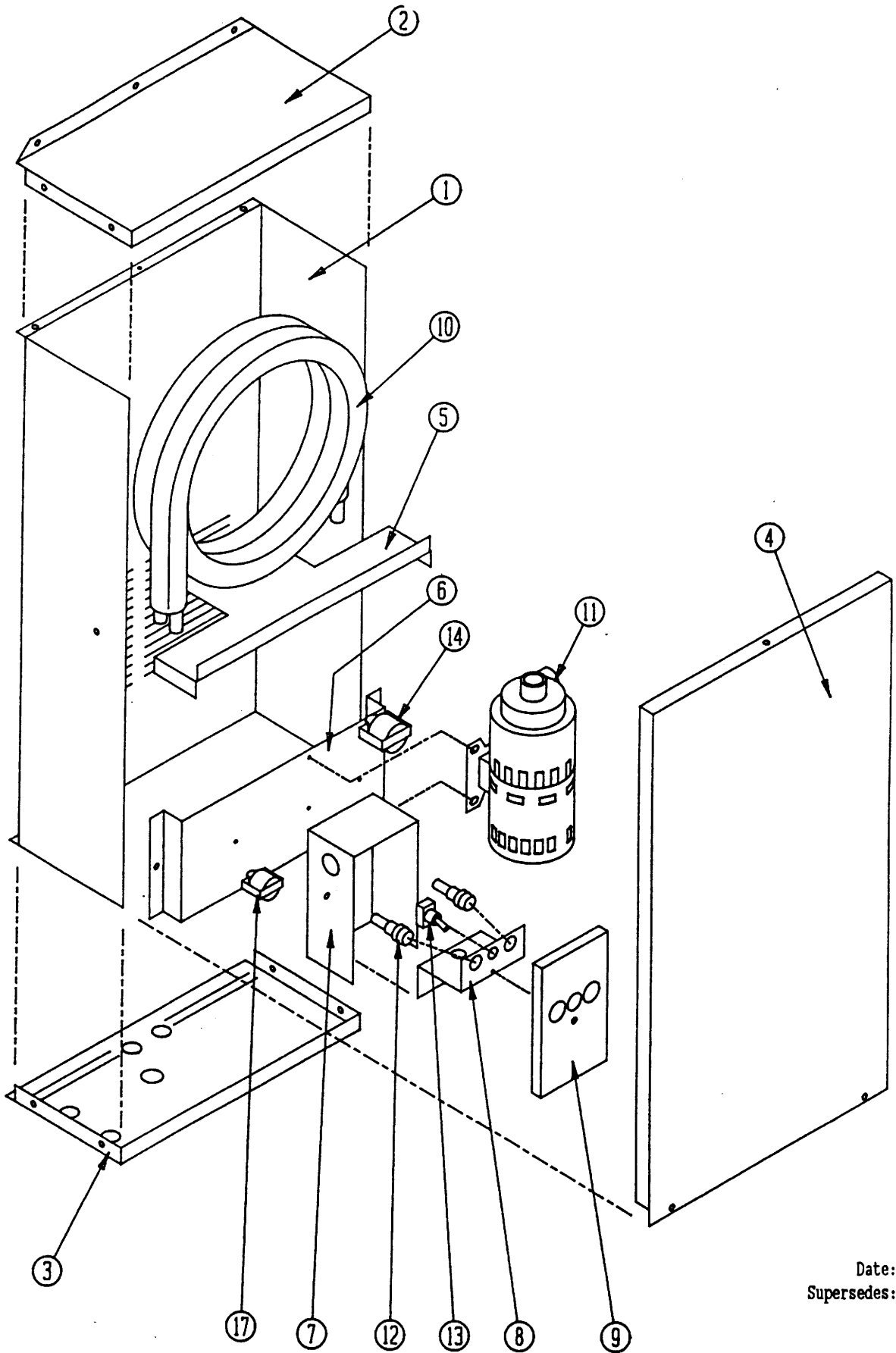
*** IMPORTANT ***

Contact the installing and/or local Bard distributor for all parts requirements. Make sure you have the complete model and serial number available from the unit rating plate.

BARD MANUFACTURING COMPANY

BRYAN, OHIO 43506

FUNCTIONAL COMPONENTS



Date: 12-19-90
Supersedes:

FUNCTIONAL COMPONENTS

Dwg. No.	Part No.	Description	U S A G E
1	100-050	Wrapper	X
2	108-013	Back	X
3	114-099	Front	X
4	106-031	Top	X
5	120-028	Partition	X
6	140-211	Support	X
7	116-056	Electrical Box	X
8	116-057	Fuse/Switch Bracket	X
9	132-025	Cover	X
10	5052-004	Desuperheater Coil	X
11	8300-001	Water Pump	X
12	8614-036	Circuit Breaker	2
13	8406-020	Toggle Switch	X
14	8408-007	Thermostat--Water Pump	X
15	8408-011	Thermostat--Water Line	X

Date: 09-01-94
Supersedes: 12-19-90

2110-951
Page: 2