
Replacement Parts Manual

General Accessory Pump Module

Model: DPM26A

General Notes

- Revised and/or additional pages may be issued from time to time.
- A complete and current manual consists of pages shown in the following contents section.

Contents

<u>Description</u>	<u>Page</u>
Cabinet and Functional Components	
♦ Exploded View	1
♦ Usage List	2

Important

- Contact the installing and/or local Bard distributor for all parts requirements. Make sure you have the complete model and serial number available from the unit rating plates.

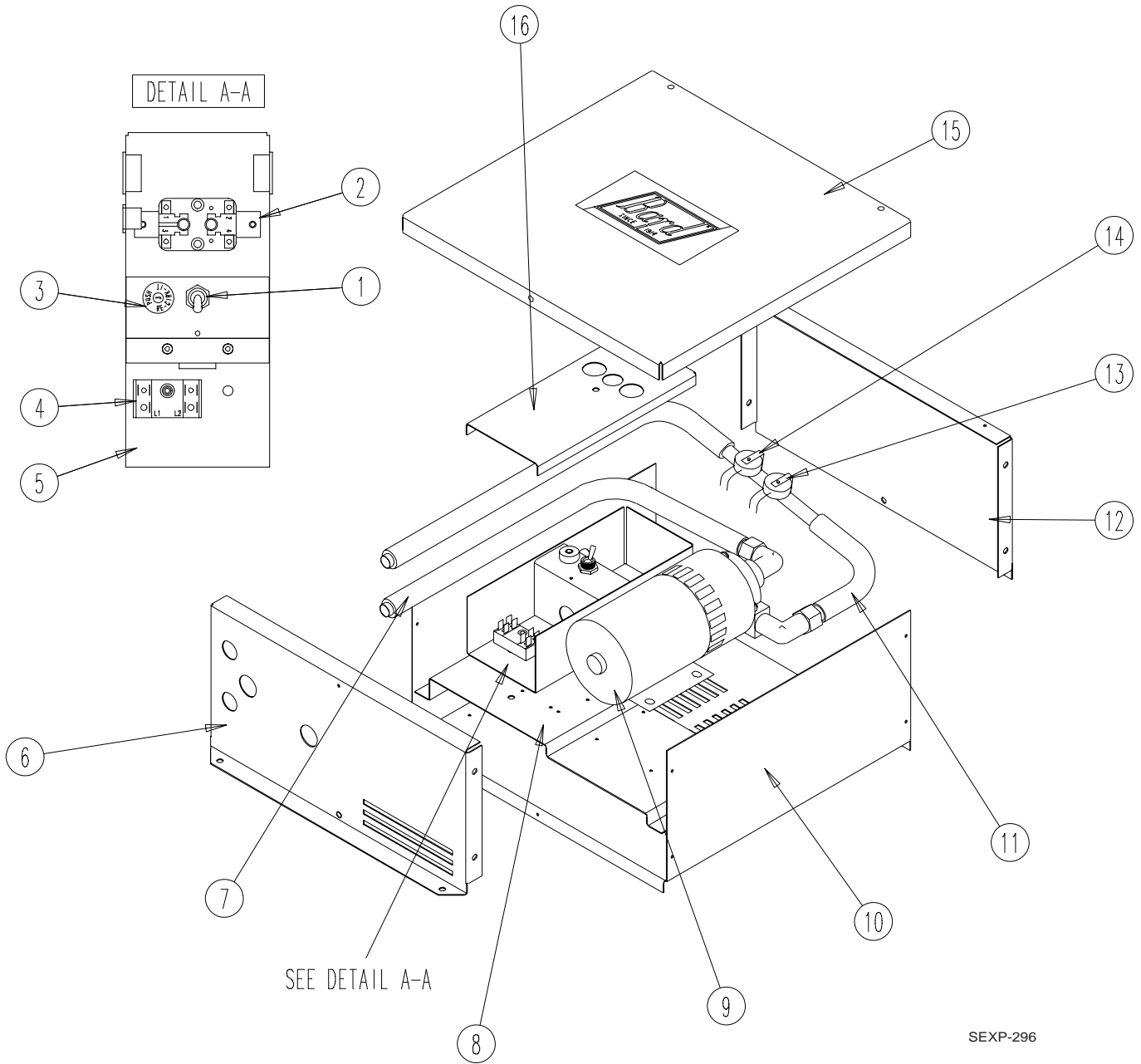


Bard Manufacturing Company, Inc.
Bryan, Ohio 43506

Since 1914...Moving ahead, just as planned.

Manual: 2110-955
Ref: Vol 1 Tab 9
Date: 06-26-98

CABINET AND FUNCTIONAL COMPONENTS



CABINET AND FUNCTIONAL COMPONENTS

Drawing No	Part No.	Description	USAGE
1	8406-020	Toggle Switch	X
2	8201-008	Control Relay	X
3	8614-036	Circuit Breaker	X
4	8607-006	Terminal Block	X
5	116-226	Control Box	X
6	114-126	Front Panel	X
7	808-0573	Water Tube	X
8	112-257	Support Bracket	X
9	8300-002	Water Pump	X
10	100-364	Wrapper	X
11	808-0572	Water Tube	X
12	108-152	Back Panel	X
13	8408-011	Thermostat 162 Open 132 Close	X
14	8408-007	Thermostat 140 Open 125 Close	X
15	106-218	Top	X
16	113-256	Switch Holder	X
NS	8611-101	Power Cord	X
NS	4053-112	Wiring Diagram	X

NS = Not Shown