
REPLACEMENT PARTS MANUAL

WALL MOUNT ENERGY RECOVERY VENTILATOR

MODELS: **ERVR-A3D-X**
ERVR-C3D-X

General Notes

- Revised and/or additional pages may be issued from time to time.
- A complete and current manual consists of pages shown in the following contents section.

Important

- Contact the installing and/or local Bard distributor for all parts requirements. Make sure you have the complete model and serial number available from the unit rating plates.

Contents

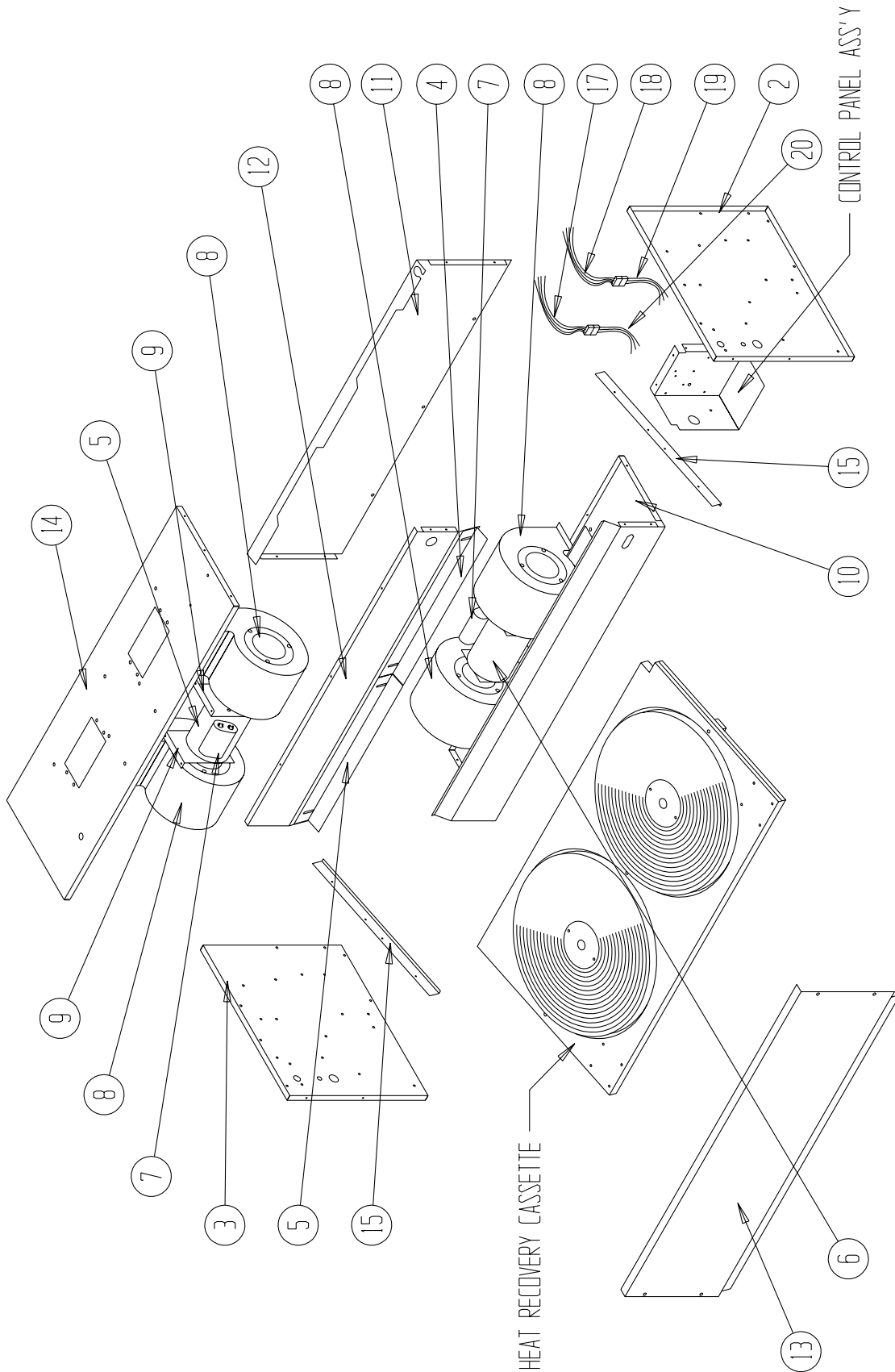
Description	Page
Functional and Cabinet Components	
♦ Exploded View	1
♦ Usage List	2
Functional and Cabinet Components	
♦ Exploded View	3
♦ Usage List	4
Cassette Components	
♦ Exploded View	5
♦ Usage List	5
Control Panel	
♦ Exploded View	6
♦ Usage List	6
Blower Assembly	
♦ Exploded View	7
♦ Usage List	7



Bard Manufacturing Company
Bryan, Ohio 43506
Since 1914...Moving, ahead just as planned.

Manual: 2110-956
Supersedes:
File: Tab 19
Date: 01-06-04

CABINET AND FUNCTIONAL COMPONENTS



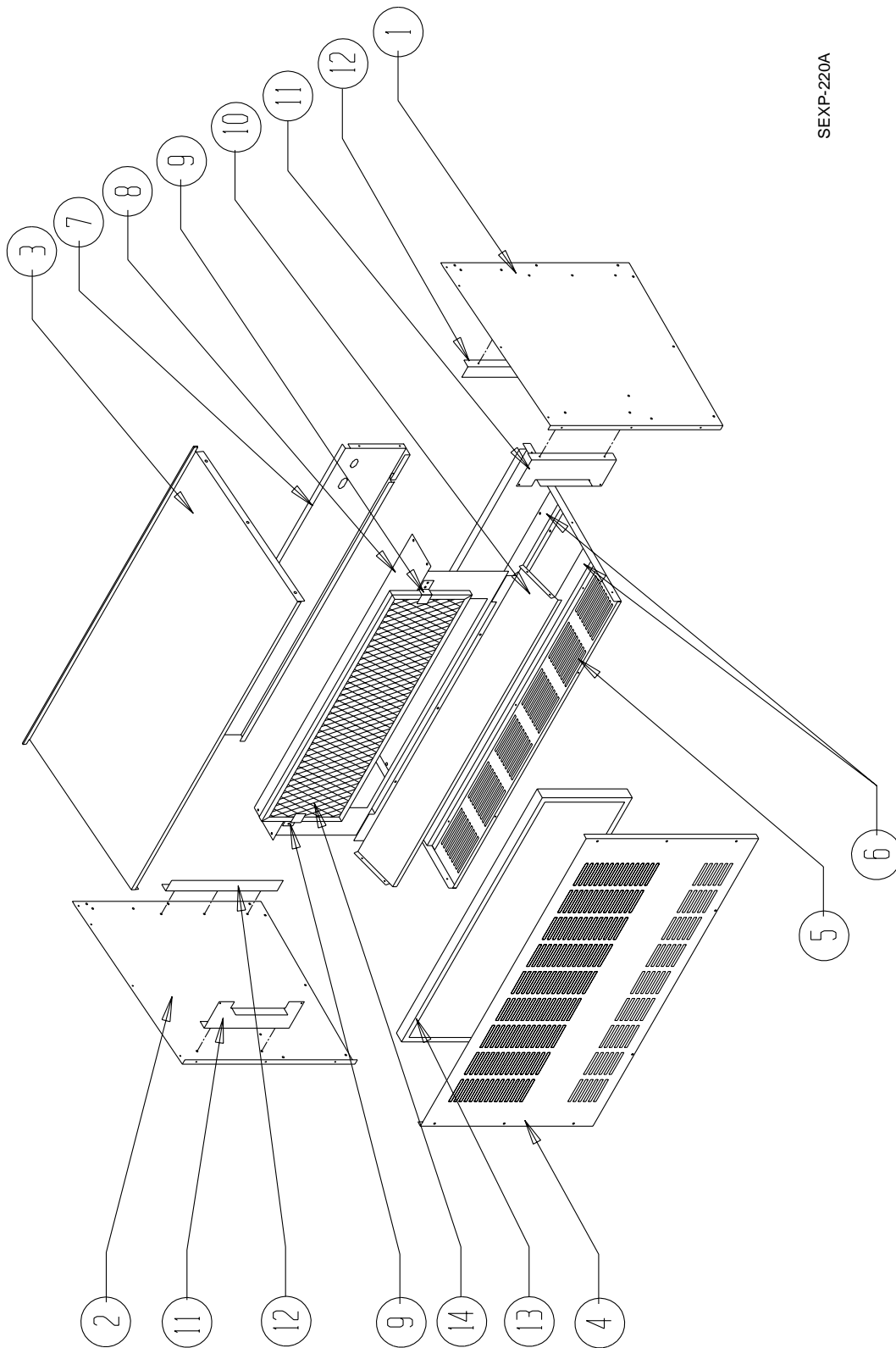
SEXP-268 A

CABINET AND FUNCTIONAL COMPONENTS

Drawing No.	Part no.	Description	ERVR-A3D	ERVR-C3D
2	500X371	Right End	X	X
3	500Y371	Left End	X	X
4	105-904	Right Adjustment Angle with Seal	X	X
5	105-905	Left Adjustment Angle with Seal	X	X
6	8101-011	Blower Motor	2	
6	8101-012	Blower Motor		2
7	8552-001	Blower Motor Capacitor	X	X
8	Blower Housing & Wheel	See Blower Housing Assembly Drawing	4	4
9	129-018	Blower Motor Mount	4	4
10	520-317	Lower Partition Assembly	X	X
11	508-114	Back Assembly	X	X
12	520-242	Middle Partition Assembly	X	X
13	115-084	Front Assembly	X	X
14	506-147	Top Assembly	X	X
15	105-898	Slide Angle	X	X
17	3000-1182	Low Voltage to Unit	X	X
18	3000-1183	High Voltage to Unit	X	X
19	3000-1184	Wire Harness – High Voltage to ERVR	X	X
20	3000-1185	Wire Harness – Low Voltage to ERVR	X	X
NS	4056-156	Wiring Diagram	X	
NS	4056-301	Wiring Diagram		X

NS = Not Shown

CABINET AND FUNCTIONAL COMPONENTS



SEXP-220A

CABINET AND FUNCTIONAL COMPONENTS

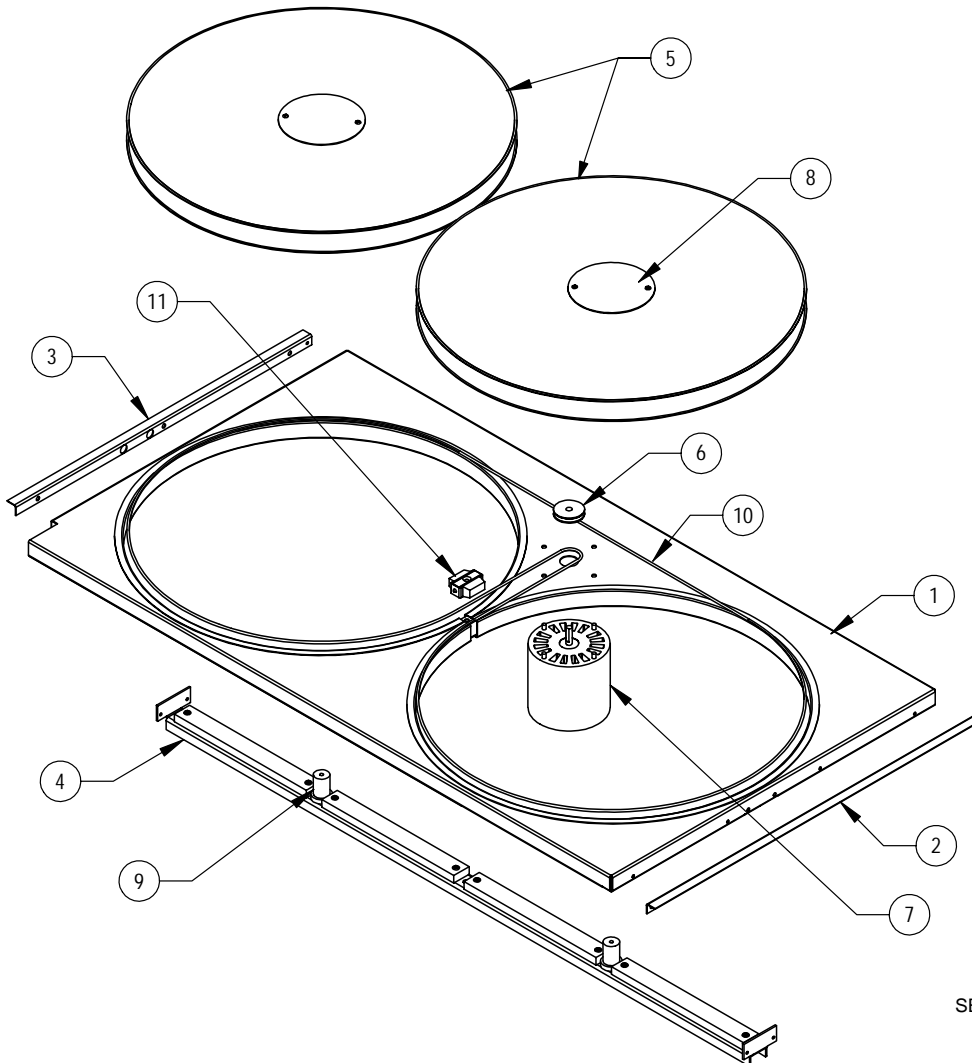
Drawing No.	Part no.	Description	ERVR-A3D-X	ERVR-C3D-X
1	101-294-*	Right Side	X	X
2	101-363-*	Left Side	X	X
3	107-158-*	Top	X	X
4	153-242-*	Front	X	X
5	127-245-*	Base	X	X
6	164-548	Base Channel	X	X
7	508-113	Back	X	X
8	130-100	Filter Fill	X	X
9	130-101	Bracket	X	X
10	126-246	Partition	X	X
11	112-207	Filter Bracket	X	X
12	104-947	Angle	X	X
13	7003-033	Mist Eliminator	X	X
14	7003-036	Filter	X	X
NS	105-1159	Mounting Angle	2	2
NS	107-332	Top Fill	1	1

* Exterior cabinet parts are manufactured with various color options. To insure that you receive the proper color, you must include the complete models and serial number of the unit for which parts are being ordered.

NS = Not Shown

CASSETTE COMPONENTS

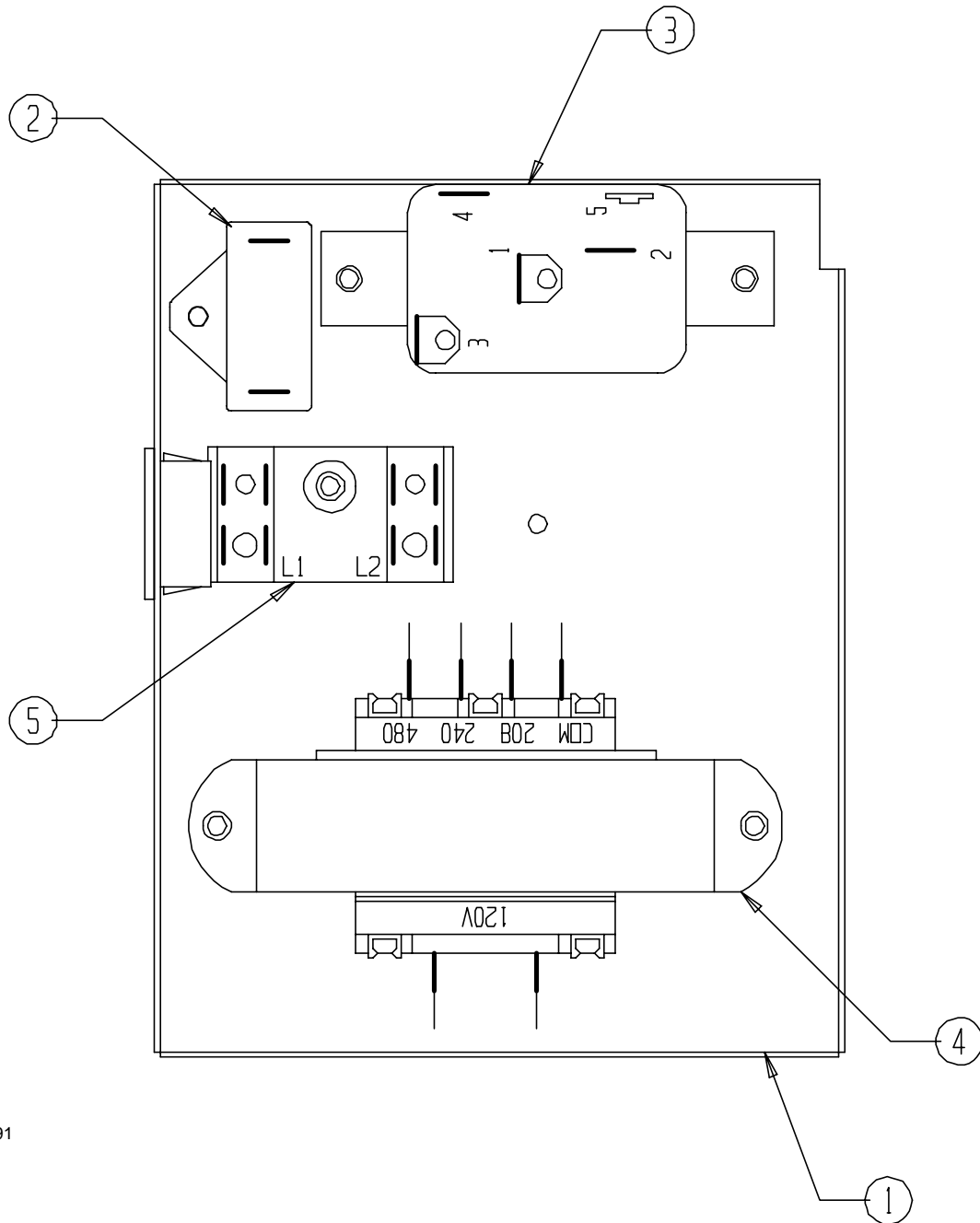
Drawing No.	Part no.	Description	ERVR
	5070-034	Complete Cassette Assembly with Motor and Wheels	X
1	139-171	Cassette Plate Assembly	X
2	104-1131	Right Support Angle	X
3	104-1132	Left Support Angle	X
4	S140-290	Support Bar Assembly	X
5	5070-044	Cassette Wheel	2
6	5501-020	Pulley	X
7	8101-016	Motor	X
8	5070-048	Dust Cover Assembly	2
9	1912-012	Wheel Shaft	2
10	5070-023	Drive Belt	X
11	S5070-047	Center Block Assembly	X



SEXP-405

CONTROL PANEL

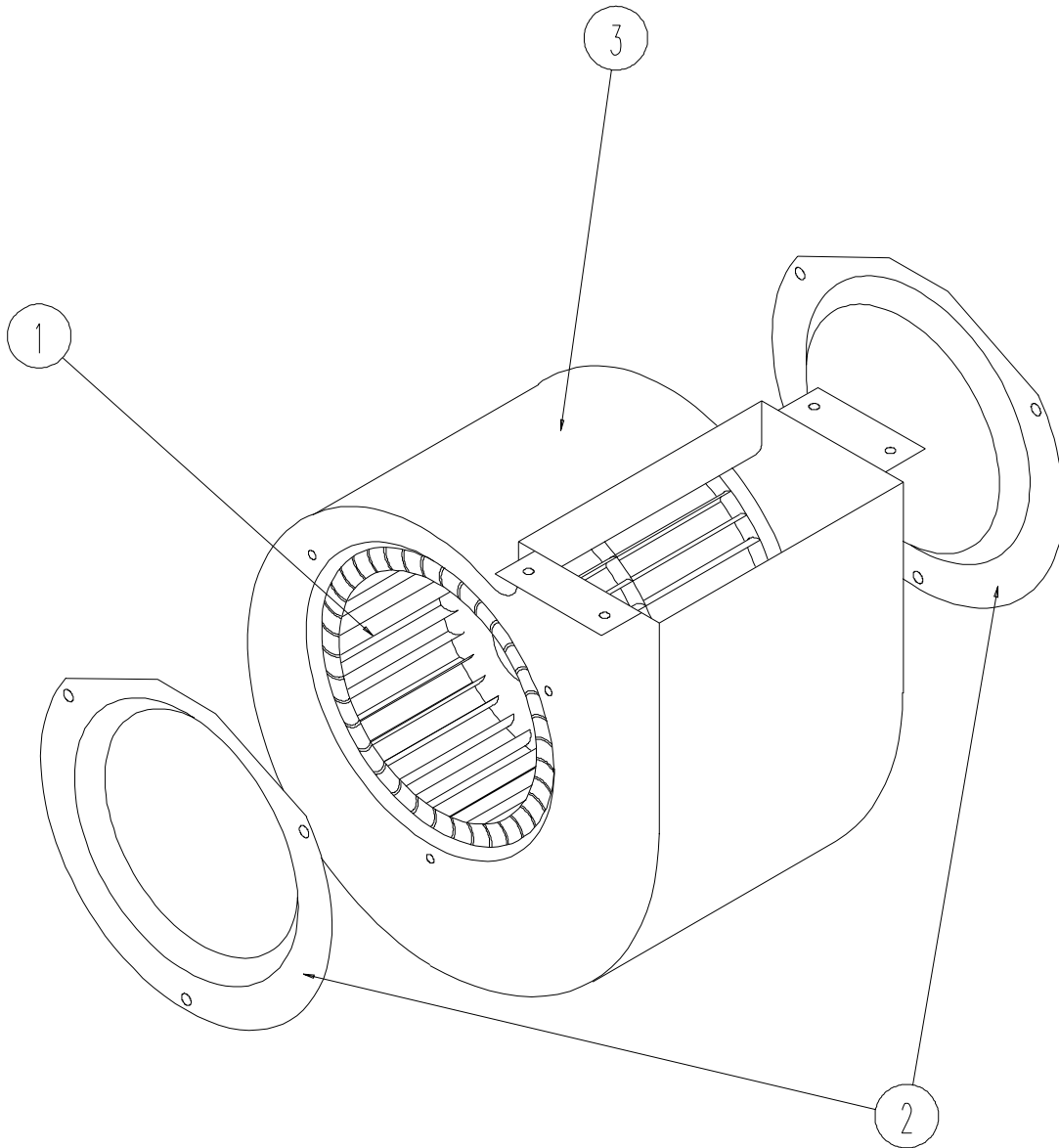
Drawing No.	Part no.	Description	ERV-R-A3D	ERV-R-C3D
1	116-201	Control Panel	X	X
2	8552-070	Cassette Motor Capacitor	X	X
3	8201-008	Blower Relay	X	
3	8201-032	Blower Relay		X
4	8407-043	Transformer	X	X
5	8607-017	Terminal Blovk	X	X



SEXP-391

BLOWER ASSEMBLY

Drawing No.	Part no.	Description	ERV
1	5152-078	Blower Wheel	X
2	5152-080	Inlet Ring	X
3	5152-079	Blower Housing	X



SEXP-218