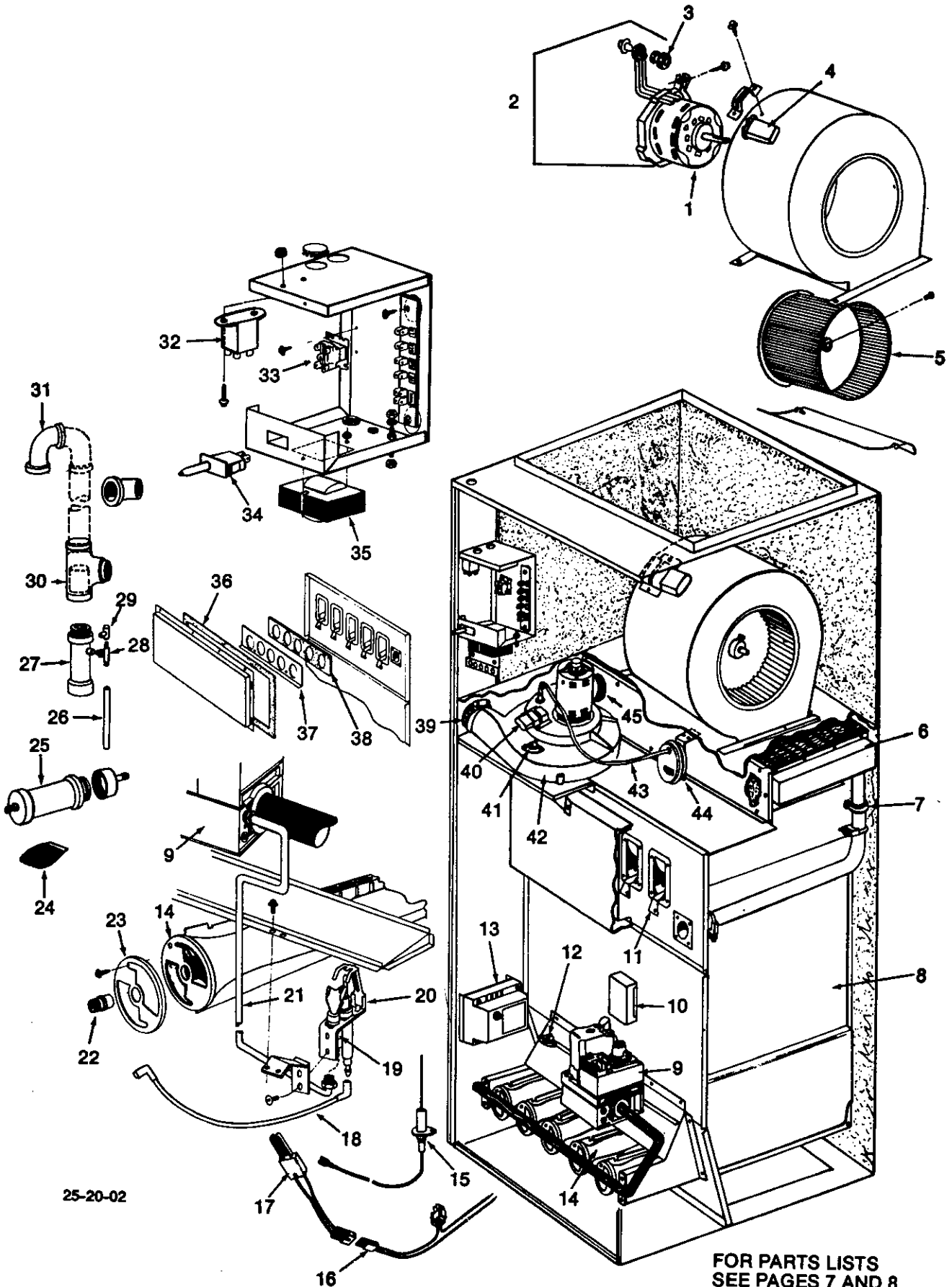


FUNCTIONAL REPLACEMENT PARTS

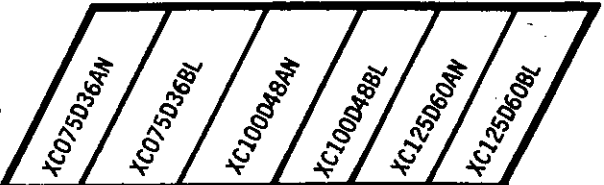


25-20-02

FOR PARTS LISTS
SEE PAGES 7 AND 8

Functional Replacement Parts

REPLACEMENT PART SUPPLIED WILL BE CURRENT ACTIVE PART.
FOR PARTS NOT LISTED CONSULT PLACE OF PURCHASE.



KEY NO.	DESCRIPTION	REPLACEMENT PART NUMBER	MODEL NUMBER/QUANTITY REQUIRED					
			XC075D36AN	XC075D36BL	XC100D48AN	XC100D48BL	XC125D60AN	XC125D60BL
1	Motor, Blower	9044-169	1	1				
		9044-170	-	-	1	1		
		9044-240	-	-	-	-	1	1
2	Kit, Motor Mount (Includes No. 3)	9044-168	1	1	1	1		
		9044-172	-	-	-	-	1	1
3	Grommet, Blower	9044-173	3	3	3	3	4	4
4	Capacitor, 7.5MFD., 370V., 10MFD., 370V., 15MFD., 370V.,	8552-004	1	1				
		8552-005	-	-	1	1		
		9044-174	-	-	-	-	1	1
5	Wheel, Blower	9044-175	1	1				
		9044-176	-	-	1	1		
		9044-177	-	-	-	-	1	1
6	Coil, Condenser	9044-179	1	1				
		9044-180	-	-	1	1		
		9044-181	-	-	-	-	1	1
7	O-Ring	9044-182	1	1	1	1	1	1
8	Exchanger, Heat	9044-212	1	1				
		9044-213	-	-	1	1		
		9044-214	-	-	-	-	1	1
9	Valve, Gas (Nat.) (L.P.)	9044-183	1	-	1	-	1	
		9044-269	-	1	-	1	-	1
		9044-233	1	1	1	1		
10	Control, Fan and Limit	9044-235	-	-	-	-	1	1
		9044-210	3	3	4	4	5	5
		9044-217	1	1	1	1	1	1
11	Baffle, Flue	9044-215	1	-	1	-	1	
		9044-264	-	1	-	1	-	1
		9044-150	3	-	4	-	5	
12	Switch, Limit	1001479	-	3	-	4	-	5
		9044-266	-	1	-	1	-	1
		1003988	-	1	-	1	-	1
13	Module, Control	9044-265	-	1	-	1	-	1
		9044-186	1	-	1	-	1	
		9044-112	1	-	1	-	1	
14	Burner (Includes No. 23)	9044-107	1	-	1	-	1	
		9044-187	1	-	1	-	1	
		9044-188	-	-	1	-	1	
15	Sensor, Flame	9044-190	3	-	4	-	5	
		9044-191	-	3	-	4	-	5
		9044-120	-	3	-	4	-	5
16	Harness, Wire	9044-192	1	1	1	1	1	1
		9044-193	1	1	1	1	1	1
		***	1	1	1	1	1	1
17	Ignitor	9044-194	1	1	1	1	1	1
		9044-195	1	1	1	1	1	1
		9044-196	1	1	1	1	1	1
18	Wire, Spark	9044-197	1	1	1	1	1	1
		9044-198	1	1	1	1	1	1
		9044-230	1	1	1	1	1	1
19	Orifice, Pilot (Nat. Gas)	9044-231	1	1	1	1	1	1
		9044-229	1	1	1	1	1	1
		9044-228	1	1	1	1	1	1
20	Pilot/Ignitor/Sensor (Nat. Gas)	9044-228	1	1	1	1	1	1
		9044-199	1	1				
		9044-220	-	-	1	1		
21	Tube, Pilot	9044-201	-	-	-	-	1	1
		9044-203	1	1				
		9044-204	-	-	1	1		
22	Orifice, Main Burner (Nat.) No. 42 (L.P.) No. 54	9044-205	-	-	-	-	1	1
		9044-207	1	1				
		9044-208	-	-	1	1		
23	Shutter, Air	9044-209	-	-	-	-	1	1
		9044-209	-	-	-	-	1	1
		1002522	1	1	1	1	1	1
24	Neutralizer (Optional)	9044-209	-	-	-	-	1	1
		9044-209	-	-	-	-	1	1
		1002522	1	1	1	1	1	1
25	Kit, Neutralizer Tubing (Optional)	9044-209	-	-	-	-	1	1
		9044-209	-	-	-	-	1	1
		1002522	1	1	1	1	1	1
26	Tubing, 5/8" O.D. X 1/2" I.O. (Optional)	9044-209	-	-	-	-	1	1
		9044-209	-	-	-	-	1	1
		1002522	1	1	1	1	1	1
27	Trap	9044-194	1	1	1	1	1	1
		9044-195	1	1	1	1	1	1
		9044-196	1	1	1	1	1	1
28	Tee, 1/2" Male	9044-197	1	1	1	1	1	1
		9044-198	1	1	1	1	1	1
		9044-198	1	1	1	1	1	1
29	Tee, 1/2" Union	9044-198	1	1	1	1	1	1
		9044-198	1	1	1	1	1	1
		9044-198	1	1	1	1	1	1
30	Tee, 2" (Includes Float No. 1000887)	9044-198	1	1	1	1	1	1
		9044-198	1	1	1	1	1	1
		9044-198	1	1	1	1	1	1
31	Cap, Vent	9044-198	1	1	1	1	1	1
		9044-198	1	1	1	1	1	1
		9044-198	1	1	1	1	1	1
32	Relay, DPST	9044-230	1	1	1	1	1	1
		9044-231	1	1	1	1	1	1
		9044-231	1	1	1	1	1	1
33	Relay, DPDT	9044-231	1	1	1	1	1	1
		9044-229	1	1	1	1	1	1
		9044-228	1	1	1	1	1	1
34	Switch, Interlock	9044-229	1	1	1	1	1	1
		9044-228	1	1	1	1	1	1
		9044-228	1	1	1	1	1	1
35	Transformer	9044-228	1	1	1	1	1	1
		9044-228	1	1	1	1	1	1
		9044-228	1	1	1	1	1	1
36	Gasket, Collector Box	9044-199	1	1				
		9044-220	-	-	1	1		
		9044-201	-	-	-	-	1	1
37	Plate, Restrictor	9044-203	1	1				
		9044-204	-	-	1	1		
		9044-205	-	-	-	-	1	1
38	Gasket, Restrictor Plate	9044-207	1	1				
		9044-208	-	-	1	1		
		9044-209	-	-	-	-	1	1
39	Hose, Coupling	9044-209	-	-	-	-	1	1
		1002522	1	1	1	1	1	1

