

# PARTS LIST

**Air Conditioners**

**Heat Pumps**

**Furnaces**

**(Gas - Oil - Electric)**

**Blower Coils**

**Air Cleaners**

THE PARTS LIST

In order to assist you in selection of your Service Parts, we have compiled the following Parts List of the most common parts that will be required. Any part that does not appear on this list will be acknowledged on your parts order or quoted at the current price upon request.

Parts are listed in alphabetical order.

PARTS PRICE LIST

A corresponding Parts Price List is supplied separate from the Parts List.

WARRANTY AND POLICY

A copy of the equipment warranty is included in this Parts List.

PARTS AND RETURNED GOODS POLICY

Parts shipments may be made by truck, United Parcel Service where available, or Parcel Post. Truck shipments are shipped with collect freight charges. United Parcel Service and Parcel Post are shipped prepaid, with shipping charges added to the parts invoice. Parts shipments do not carry freight allowance. Defective parts must be returned within 30 days after their removal, transportation charges prepaid. Defective parts will be tagged using the "Return Material Tag," (See illustrated copy Fig. 1).

RETURN MATERIAL TAG

- a. Cardboard Copy - Attach firmly to the defective part being returned.
- b. White Copy - To be kept by the customer.

The form must be filled out completely, down to and including reason for failure. The words "Defective", "Failed", "Won't Work", and "In-operative" are not an acceptable reason for failure. Upon receipt of the part and the "Returned Material Tag," Bard Manufacturing Company will consult their records and if claim is valid, will issue a credit memo to the customer accepting the claim. If the part is found not to be defective, we will not allow any credit. The customer will be notified, requesting disposition of part.

HERMETIC COMPRESSOR POLICY

If Bard Manufacturing Company's customer purchases compressors from us, we will allow full credit for defective compressors upon receipt at Bryan, Ohio, freight prepaid providing:

1. Compressors with solder stub tubes must be sealed with a good refrigeration seal by capping and soldering the tubes. Failure to do so voids the warranty.
2. The compressor must be tagged, with the Return Material Tag, giving full data covering the unit from which it was removed and the compressor Warranty Claim Form must also be completely filled out with the model number and serial number as shown on the electrical rating plate and/or serial plate. Fig. 2.
3. Reason for failure must be complete. "Defective," "Failed" or "In-operative" are not acceptable.
4. Installation date and date repaired must be included.
5. The compressor must have failed during the warranty period.
6. The compressor must be received at Bard within 30 days after removal from unit.
7. If the compressor serial plate has been removed, the warranty will be voided and no credit will be allowed.

Our records and inspection will be final in determining the warranty status.

In the event the compressor is bought direct from the compressor manufacturer or his distributor, it will be necessary that the customer return the defective compressor to Bard and it will be subject to replacement providing the compressor is within the warranty period.

In the event that the compressor vendor finds the returned compressor not to be defective and therefore charges Bard for replacement, Bard reserves the right to invoice the customer for the replacement.

TRANSPORTATION CLAIMS

The responsibility of Bard Manufacturing Company shall cease upon the delivery of goods in good order to the transportation company. Since goods are shipped at the buyer's risk, they should be examined carefully before signing delivery receipts. If the shipment is offered by the transportation company in bad order, or if number of packages does not agree with number called for on the freight bill, buyer should require the transportation company agent to make notation of damage or shortage on all copies of the delivery receipt; this will allow the buyer to institute a damage or shortage claim. Concealed damage should be reported immediately to the transportation company, allowing them to make inspection and necessary notation. Section 40, I.C.C. Ruling provides: "It shall be unlawful for any such receiving or delivering common carrier to provide by rule, contract, regulation or otherwise a shorter period for filing of loss and damage claims than nine months following delivery."

**RETURN MATERIAL TAG**

DEALER Name: \_\_\_\_\_ No 2256

Address: \_\_\_\_\_

City: \_\_\_\_\_ State: \_\_\_\_\_

Part Name: \_\_\_\_\_ Replacement Invoice No.: \_\_\_\_\_

Unit Information:

Model No.: \_\_\_\_\_ Serial No.: \_\_\_\_\_

Instal. Date: \_\_\_\_\_ Date Part Replaced: \_\_\_\_\_

Old Comp. Serial No.: \_\_\_\_\_ New Comp. Serial No.: \_\_\_\_\_

Explain Nature of Failure: \_\_\_\_\_

Do Not Use Defective:

Issue Credit For Part To:  Company Name: \_\_\_\_\_  
 Credit Only Address: \_\_\_\_\_  
 Replace Part City: \_\_\_\_\_ State: \_\_\_\_\_

CUSTOMER COPY Return Freight Prepaid to - BARD MFG. CO.

No credit or replacement will be made unless Tag is completed and returned with each part.

ATTACH TO PART

Fig. 1

**COMPRESSOR WARRANTY CLAIM FORM**

TO BE FILLED IN BY DEALER OR CLAIMANT READ YOUR OWNERS COMPANIES FILING SLIP

NAME: \_\_\_\_\_

ADDRESS: \_\_\_\_\_

PHONE: \_\_\_\_\_

DATE: \_\_\_\_\_

MAKE AND MODEL: \_\_\_\_\_

DATE OF PURCHASE: \_\_\_\_\_

DATE OF FAILURE: \_\_\_\_\_

REASON FOR FAILURE: \_\_\_\_\_

NAME OF SERVICE MAN: \_\_\_\_\_

ADDRESS OF SERVICE MAN: \_\_\_\_\_

DATE OF REPAIR: \_\_\_\_\_

NAME OF DEALER: \_\_\_\_\_

ADDRESS OF DEALER: \_\_\_\_\_

DATE OF DELIVERY: \_\_\_\_\_

NAME OF TRANSPORTATION COMPANY: \_\_\_\_\_

ADDRESS OF TRANSPORTATION COMPANY: \_\_\_\_\_

DATE OF DELIVERY: \_\_\_\_\_

NAME OF BUYER: \_\_\_\_\_

ADDRESS OF BUYER: \_\_\_\_\_

DATE OF DELIVERY: \_\_\_\_\_

NAME OF SERVICE MAN: \_\_\_\_\_

ADDRESS OF SERVICE MAN: \_\_\_\_\_

DATE OF REPAIR: \_\_\_\_\_

NAME OF DEALER: \_\_\_\_\_

ADDRESS OF DEALER: \_\_\_\_\_

DATE OF DELIVERY: \_\_\_\_\_

NAME OF BUYER: \_\_\_\_\_

ADDRESS OF BUYER: \_\_\_\_\_

DATE OF DELIVERY: \_\_\_\_\_

Fig. 2

ALPHABETICAL PARTS LIST  
SPLIT SYSTEM CONDENSING UNITS

4/1/76

PART NO.	DESCRIPTION	18RWQ	24RWQ	18ECQ	24ECQ	30ECQ1	36ECQ3	36ECQ3-3	42ECQ	42ECQ-3	48ECQ1	48ECQ1-3	60ECQ	60ECQ-3	36ECQ-3 480V	48ECQ1-3 480V	60ECQ-3 480V
5152-027	Blower Housing	x	x														
5152-016	Blower Wheel	x	x														
8552-006	Capacitor 370V	x															
8552-001	Capacitor 370V	x	x														
8552-007	Capacitor 370V		x	x	x	x											
8552-012	Capacitor 440V						x		x								
8552-009	Capacitor 440V										x						
8552-011	Capacitor 440V												x				
8552-005	Capacitor 370V								x	x	x	x	x	x		x	x
8000-001	Compressor 1-Ph	x		x													
8000-002	Compressor 1-Ph		x		x												
8000-006	Compressor 1-Ph					x											
8000-008	Compressor 1-Ph						x										
8000-009	Compressor 3-Ph							x		x							
8000-011	Compressor 1-Ph								x								
8000-013	Compressor 1-Ph										x						
8000-015	Compressor 3-Ph											x					
8000-020	Compressor 1-Ph												x				
8000-021	Compressor 3-Ph													x			
8000-010	Compressor 3-Ph														x		
8000-018	Compressor 3-Ph															x	
8000-022	Compressor 3-Ph																x
83494	Comp. Overload										x						
83493	Comp. Overload											x					
83672	Comp. Overload												x				
83684	Comp. Overload													x			
5051-014	Condenser Coil	x															
5051-015	Condenser Coil		x														
5051-011	Condenser Coil			x													
5051-013	Condenser Coil				x												
5051-001	Condenser Coil					x	x	x							x		
5051-009	Condenser Coil								x	x	x	x	x	x		x	x
8401-007	Contactator - Comp.	x	x	x	x	x											
8401-003	Contactator - Comp.						x		x		x						
8401-002	Contactator - Comp.							x		x		x		x	x	x	x
8401-001	Contactator - Comp.												x				
8605-001	Crankcase Heater							x		x		x		x			
8605-002	Crankcase Heater														x	x	x
5151-001	Fan Blade			x	x												
5151-007	Fan Blade					x	x	x							x		
5151-017	Fan Blade								x	x	x	x	x	x		x	x

**ALPHABETICAL PARTS LIST  
SPLIT SYSTEM CONDENSING UNITS**

4/1/76

PART NO.	DESCRIPTION	18RWQ	24RWQ	18ECQ	24ECQ	30ECQ1	36ECQ3	36ECQ3-3	42ECQ	42ECQ-3	48ECQ1	48ECQ1-3	60ECQ	60ECQ-3	36ECQ2-3 480V	48ECQ1-3 480V	60ECQ-3 480V	
8201-024	High Press. Switch																x	x
8105-007	Motor - Fan	x	x															
8104-003	Motor - Fan			x	x													
8103-002	Motor - Fan					x	x	x										
8105-005	Motor - Fan								x	x	x	x	x	x			x	x
8200-007	Motor Mount-Blower	x	x															
8200-006	Motor Mount-Fan					x	x	x								x		
8200-001	Motor Mount-Fan			x	x													
8200-004	Motor Mount-Fan								x	x	x	x	x	x			x	x
5451-011	Motor Mtg. Parts	x	x															
8201-008	Relay - Blower															x	x	x
8551-001	Start Capacitor												x					
8201-020	Start Relay												x					
8607-002	Terminal Block 230V															x	x	x
8407-003	Trans - Stepdown															x	x	x

Minimum Net Billing \$5.00. Supersedes all previous lists.  
Subject to change without notice. F.O.B. Bryan, Ohio

ALPHABETICAL PARTS LIST  
SINGLE PACKAGE AIR CONDITIONERS

4/1/76

PART NO.	DESCRIPTION	18WA	24WA	30WA	36WA1	36WA1-3	48WA2	48WA2-3	36WA1-3 480V	48WA2-3 480V
5152-030	Blower Housing	x	x	x	x	x			x	
5152-026	Blower Housing						x	x		x
5152-028	Blower Wheel	x	x	x	x	x			x	
5152-029	Blower Wheel	x	x	x	x	x			x	
5152-011	Blower Wheel cw						x	x		x
5152-012	Blower Wheel ccw						x	x		x
8552-006	Capacitor 370V	x								
8552-007	Capacitor 370V		x	x						
8552-012	Capacitor 440V				x					
8552-010	Capacitor 440V						x			
8552-001	Capacitor 370V	x	x	x	x	x			x	
8552-002	Capacitor 370V						x	x		x
8552-003	Capacitor 370V						x	x		x
5811-021	Cap Tube - Cool	x	x							
5811-022	Cap Tube - Cool (2 req'd)			x	x	x			x	
5811-008	Cap Tube - Cool (3 req'd)						x	x		x
8000-001	Compressor 1-Ph	x								
8000-002	Compressor 1-Ph		x							
8000-006	Compressor 1-Ph			x						
8000-008	Compressor 1-Ph				x					
8000-009	Compressor 3-Ph					x				
8000-010	Compressor 3-Ph								x	
8000-016	Compressor 1-Ph						x			
8000-017	Compressor 3-Ph							x		
8000-018	Compressor 3-Ph									x
83494	Compressor Overload						x			
83493	Compressor Overload							x		x
5051-007	Condenser Coil	x								
5051-006	Condenser Coil		x							
5051-001	Condenser Coil			x	x	x			x	
5051-016	Condenser Coil						x	x		x
8401-007	Contacto - Compressor	x	x	x						
8401-003	Contacto - Compressor				x					
8401-002	Contacto - Compressor					x		x	x	x
8401-001	Contacto - Compressor						x			
8401-006	Contacto - Heater	x	x	x	x	x	x	x	x	x
8605-001	Crankcase Heater					x		x		
8605-002	Crankcase Heater								x	x
5060-007	Evaporator Coil	x								
5060-005	Evaporator Coil		x							
5060-006	Evaporator Coil			x	x	x			x	
5060-001	Evaporator Coil						x	x		x



ALPHABETICAL PARTS LIST  
SINGLE PACKAGE AIR CONDITIONERS

4/1/76

PART NO.	DESCRIPTION	18WA	24WA	30WA	36WA1	36WA1-3	48WA2	48WA2-3	36WA1-3 480V	48WA2-3 480V
5151-009	Fan Blade	x	x							
5151-004	Fan Blade			x	x	x			x	
5151-014	Fan Blade						x	x		x
7004-006	Filter	x	x							
7004-008	Filter			x	x	x			x	
7004-009	Filter (2 req'd)						x	x		x
8614-004	Fuse - Heater			x	x		x			
8614-022	Fuse - Compressor			x	x		x			
8614-017	Fuse Block			x	x		x			
8604-002	Heat Strip 5Kw	x	x	x	x		x			
8604-003	Heat Strip 8Kw	x	x				x	x		
8604-004	Heat Strip 10Kw			x	x		x	x		
8604-001	Heat Strip 4Kw	x	x	x	x					
8604-029	Heat Strip 9Kw					x		x		
8604-005	Heat Strip 9Kw								x	x
8604-008	Heat Strip 12Kw								x	x
8604-010	Heat Strip 15Kw								x	x
8604-046	Heat Strip 12Kw					x				
8604-047	Heat Strip 15Kw			x	x	x				
8201-024	High Pressure Switch						x	x		x
8402-010	Limit Switch	x	x	x	x	x	x	x	x	x
8102-002	Motor - Blower	x	x							
8105-003	Motor - Blower			x	x	x			x	
8106-005	Motor - Blower						x	x		x
8103-002	Motor - Fan	x	x	x	x	x			x	
8106-006	Motor - Fan						x	x		x
8200-006	Motor Mount - Fan	x	x	x	x	x			x	
8200-001	Motor Mount - Fan						x	x		x
8201-009	Relay - Blower	x	x	x	x	x	x	x		
8201-008	Relay - Blower								x	x
8551-001	Start Capacitor						x			
8201-020	Start Relay						x			
8607-005	Terminal Board 24V	x	x	x	x	x	x	x	x	x
8607-001	Terminal Block 230V	x	x	x	x		x			
8607-002	Terminal Block					x		x	x	x
8607-007	Terminal Board								x	
8402-021	Thermal Cutoff	x	x	x	x	x	x	x	x	x
8402-027	Thermal Cutoff			x	x	x				
8407-007	Transformer	x	x	x	x					
8407-009	Transformer					x	x	x	x	x
8407-003	Transformer -Stepdown								x	
8407-004	Transformer -Stepdown									x
5210-002	Strainer	x	x							
5210-004	Strainer			x	x	x			x	
5210-003	Strainer						x	x		x

Minimum Net Billing \$5.00. Supersedes all previous lists.  
Subject to change without notice. F.O.B. Bryan, Ohio

ALPHABETICAL PARTS LIST  
SINGLE PACKAGE AIR CONDITIONERS

4/1/76

PART NO.	DESCRIPTION	P24A1	P30A1	P36A1	P36A1-3	P48A1	P48A1-3	P60A1	P60A1-3	P36A1-3 480V	P48A1-3 480V	P60A1-3 480V
5152-020	Blower Housing	x	x									
5152-026	Blower Housing			x	x					x		
5152-027	Blower Housing					x	x	x	x		x	x
5152-019	Blower Wheel	x	x									
5152-013	Blower Wheel			x	x					x		
5152-015	Blower Wheel					x	x	x	x		x	x
8552-007	Capacitor 370V	x	x									
8552-012	Capacitor 440V			x								
8552-010	Capacitor 440V					x						
8552-011	Capacitor 440V							x				
8552-001	Capacitor 370V			x	x					x		
8552-002	Capacitor 370V	x	x									
8552-003	Capacitor 370V					x	x	x	x		x	x
8552-004	Capacitor 370V							x	x			x
8552-005	Capacitor 370V					x	x				x	
5811-021	Cap.Tube	x										
5811-022	Cap.Tube (2 req'd)			x	x					x		
5811-008	Cap.Tube (3 req'd)					x	x				x	
5811-025	Cap.Tube (2 req'd)							x	x			x
8000-002	Compressor 1-Ph	x										
8000-006	Compressor 1-Ph		x									
8000-008	Compressor 1-Ph			x								
8000-009	Compressor 3-Ph				x							
8000-016	Compressor 1-Ph					x						
8000-017	Compressor 3-Ph						x					
8000-020	Compressor 1-Ph							x				
8000-021	Compressor 3-Ph								x			
8000-010	Compressor 3-Ph									x		
8000-018	Compressor 3-Ph										x	
8000-022	Compressor 3-Ph											x
83494	Compressor 0' load					x						
83493	Compressor 0' load						x					
83672	Compressor 0' load							x				
83684	Compressor 0' load								x			
5051-006	Condenser Coil	x	x									
5051-001	Condenser Coil			x	x					x		
5051-005	Condenser Coil					x	x				x	
5051-009	Condenser Coil							x	x			x
8401-007	Contactator - Comp.	x	x	x								
8401-002	Contactator - Comp.				x		x		x	x	x	x
8401-001	Contactator - Comp.					x		x				
8401-006	Contactator - Heater	x	x	x	x	x	x	x	x	x	x	x
5811-026	Cap. Tube		x									

ALPHABETICAL PARTS LIST  
SINGLE PACKAGE AIR CONDITIONERS

4/1/76

PART NO.	DESCRIPTION	P24A1	P30A1	P36A1	P36A1-3	P48A1	P48A1-3	P60A1	P60A1-3	P36A1-3 480V	P48A1-3 480V	P60A1-3 480V
8605-001	Crankcase Heater				x		x		x			
8605-002	Crankcase Heater									x	x	x
5060-005	Evaporator Coil	x	x							x		
5060-006	Evaporator Coil			x	x							
5060-001	Evaporator Coil					x	x				x	
5060-011	Evaporator Coil							x	x			x
5151-009	Fan Blade	x	x									
5151-004	Fan Blade			x	x					x		
5151-017	Fan Blade					x	x				x	
5151-016	Fan Blade							x	x			x
8614-022	Fuse - Compressor			x		x		x				
8614-004	Fuse - Heater			x		x		x				
8614-005	Fuse - Heater			x				x				
8614-017	Fuse Block			x		x		x				
8614-013	Fuse Block			x		x		x				
8604-042	Heat Strip 5Kw	x	x									
8604-044	Heat Strip 10Kw	x	x									
8604-002	Heat Strip 5Kw			x	x	x	x	x	x			
8604-004	Heat Strip 10Kw			x	x	x	x	x	x			
8604-001	Heat Strip 4Kw				x		x		x			
8604-003	Heat Strip 8Kw				x		x		x			
8604-029	Heat Strip 9Kw				x		x		x			
8604-005	Heat Strip 9Kw									x	x	x
8604-010	Heat Strip 15Kw									x	x	x
8201-024	High Pressure Switch					x	x	x	x	x	x	x
8402-015	Limit Switch	x	x									
8402-012	Limit Switch			x	x	x	x	x	x	x	x	x
8106-005	Motor - Blower & Fan	x	x									
8105-007	Motor - Blower			x	x					x		
8106-006	Motor - Blower					x	x	x	x		x	x
8103-002	Motor - Fan			x	x					x		
8105-005	Motor - Fan					x	x				x	
8106-007	Motor - Fan							x	x			x
8200-010	Motor Cradle	x	x									
8200-007	Motor Mount - Blower			x	x					x		
8200-003	Motor Mount - Blower					x	x	x	x		x	x
8200-006	Motor Mount - Fan			x	x					x		
8200-004	Motor Mount - Fan					x	x				x	
8200-011	Motor Mount - Fan											x
5451-011	Motor Mounting Parts			x	x	x	x	x	x	x	x	x



ALPHABETICAL PARTS LIST  
SINGLE PACKAGE AIR CONDITIONERS

4/1/76

PART NO.	DESCRIPTION	P24A1	P30A1	P36A1	P36A1-3	P48A1	P48A1-3	P60A1	P60A1-3	P36A1-3 480V	P48A1-3 480V	P60A1-3 480V
8201-009	Relay - Blower	X	X	X	X	X	X	X	X			
8201-008	Relay - Blower									X	X	X
8551-001	Start Capacitor					X	X	X	X			
8201-020	Start Relay					X	X	X	X			
5210-002	Strainer	X	X									
5210-004	Strainer			X	X					X		
5210-003	Strainer					X	X				X	
5210-006	Strainer							X	X			X
8607-005	Terminal Board 24V	X	X	X	X	X	X	X	X	X	X	X
8607-001	Terminal Block 230V	X	X	X	X	X		X		X	X	X
8607-002	Terminal Block 230V				X		X		X	X	X	X
8402-026	Thermal Cut-off	X	X									
8402-021	Thermal Cut-off			X	X	X	X	X	X			
8407-007	Transformer	X	X	X								
8407-009	Transformer				X	X	X	X	X	X	X	X
8407-003	Transformer-Stepdown									X		
8407-005	Transformer-Stepdown										X	X

Minimum Net Billing \$5.00. Supersedes all previous lists.  
Subject to change without notice. F.O.B. Bryan, Ohio

ALPHABETICAL PARTS LIST  
SINGLE PACKAGE AIR CONDITIONERS

4/1/76

PART NO.	DESCRIPTION	MP30A	MP36A	MP42A
5152-026	Blower Housing	x	x	x
5152-013	Blower Wheel	x	x	x
8552-007	Capacitor 370V	x		
8552-012	Capacitor 440V		x	
8552-009	Capacitor 440V			x
8552-002	Capacitor 370V	x	x	x
8552-001	Capacitor 370V			x
5811-013	Capillary Tube (3 req'd)	x	x	
5811-009	Capillary Tube (3 req'd)			x
8000-006	Compressor 1-Ph	x		
8000-008	Compressor 1-Ph		x	
8000-011	Compressor 1-Ph		x	
8000-013	Compressor 1-Ph			x
5051-001	Condenser Coil	x	x	
5051-016	Condenser Coil			x
8401-007	Contactator - Compressor	x		
8401-003	Contactator - Compressor		x	x
8401-006	Contactator - Heater	x	x	x
5060-015	Evaporator Coil	x	x	
5060-008	Evaporator Coil			x
5151-012	Fan Blade cw	x	x	
5151-002	Fan Blade ccw			x
8614-004	Fuse - Heater	x	x	x
8614-023	Fuse - Compressor	x		
8614-022	Fuse - Compressor		x	x
8614-005	Fuse - Heater	x	x	x
8614-013	Fuse Block	x	x	x
8614-017	Fuse Block	x	x	x
8604-023	Heat Strip 5Kw	x	x	x
8604-024	Heat Strip 10Kw	x	x	x
8604-025	Heat Strip 15Kw	x	x	x
8402-011	Limit Switch	x	x	x
8106-008	Motor - Blower	x	x	x
8103-002	Motor - Fan	x	x	
8105-007	Motor - Fan			x
8200-003	Motor Mount - Blower	x	x	x
8200-006	Motor Mount - Fan	x	x	x
5451-011	Motor Mounting Parts	x	x	x
8201-014	Relay - Blower	x	x	x
5210-003	Strainer	x	x	x
8607-001	Terminal Block 230V	x	x	x
8607-005	Terminal Board 24V	x	x	x
8402-025	Thermal Cut-off	x	x	x
8407-007	Transformer	x	x	x

Minimum Net Billing \$5.00. Supersedes all previous lists.  
Subject to change without notice. F.O.B. Bryan, Ohio

ALPHABETICAL PARTS LIST  
SINGLE PACKAGE AIR CONDITIONERS

4/1/76

PART NO.	DESCRIPTION	MU30	MU36	MU48	MU60
5152-026	Blower Housing	x	x		
5152-027	Blower Housing			x	x
5152-013	Blower Wheel	x	x		
5152-016	Blower Wheel			x	x
8552-007	Capacitor 370V	x			
8552-012	Capacitor 440V		x		
8552-010	Capacitor 440V			x	
8552-011	Capacitor 440V				x
8552-002	Capacitor 370V	x	x	x	x
8552-005	Capacitor 370V			x	x
5811-013	Capillary Tube (3 req'd)	x	x		
5811-014	Capillary Tube (3 req'd)			x	
5811-024	Capillary Tube (2 req'd)				x
8000-006	Compressor 1-Ph	x			
8000-008	Compressor 1-Ph		x		
8000-011	Compressor 1-Ph		x		
8000-016	Compressor 1-Ph			x	
8000-020	Compressor 1-Ph				x
5051-001	Condenser Coil	x	x		
5051-009	Condenser Coil			x	x
8401-007	Contactator - Compressor	x			
8401-003	Contactator - Compressor		x		
8401-001	Contactator - Compressor			x	x
8401-006	Contactator - Heater	x	x	x	x
5060-015	Evaporator Coil	x	x		
5060-008	Evaporator Coil			x	
5060-014	Evaporator Coil				x
5151-001	Fan Blade	x	x		
5151-018	Fan Blade			x	x
7051-008	Fan Guard	x	x	x	x
8614-005	Fuse - Heater	x	x		
8614-023	Fuse - Compressor	x			
8614-022	Fuse - Compressor		x	x	x
8614-004	Fuse - Heater	x	x	x	
8614-017	Fuse Block	x	x	x	x
8614-013	Fuse Block	x	x	x	x
8604-023	Heat Strip 5Kw	x	x	x	x
8604-024	Heat Strip 10Kw	x	x	x	x
8604-025	Heat Strip 15Kw	x	x	x	x
8402-011	Limit Switch	x	x	x	x

**ALPHABETICAL PARTS LIST  
SINGLE PACKAGE AIR CONDITIONERS**

4/1/76

PART NO.	DESCRIPTION	MU30	MU36	MU48	MU60
8106-008	Motor - Blower	x	x		
8108-001	Motor - Blower			x	x
8103-003	Motor - Fan	x	x		
8106-009	Motor - Fan			x	x
8200-003	Motor Mount - Blower	x	x	x	x
8200-002	Motor Mount - Fan	x	x		
8200-005	Motor Mount - Fan			x	x
5451-011	Motor Mtg. Parts - Blower	x	x	x	x
5451-009	Motor Mtg. Parts - Fan	x	x	x	x
5153-010	Rain Shield	x	x	x	x
8201-014	Relay - Blower	x	x	x	x
8551-001	Start Capacitor			x	x
8201-020	Start Relay			x	x
5210-003	Strainer	x	x	x	
5210-006	Strainer				x
8607-001	Terminal Block 230V	x	x	x	x
8607-005	Terminal Board 24V	x	x	x	x
8402-025	Thermal Cut-off	x	x	x	x
8407-007	Transformer	x	x		
8407-009	Transformer			x	x

Minimum Net Billing \$5.00. Supersedes all previous lists.  
Subject to change without notice. F.O.B. Bryan, Ohio.

ALPHABETICAL PARTS LIST  
SINGLE PACKAGE AIR CONDITIONERS

4/1/76

PART NO.	DESCRIPTION	RPM18	RPM24	RPM30
5152-039	Blower Housing	x	x	x
5152-007	Blower Wheel	x		
5152-017	Blower Wheel		x	
5152-009	Blower Wheel			x
8552-006	Capacitor 370V	x		
8552-007	Capacitor 370V		x	x
5811-002	Capillary Tube -Cool (3 req'd)	x		
5811-013	Capillary Tube -Cool (3 req'd)		x	
5811-010	Capillary Tube -Cool (3 req'd)			x
8000-001	Compressor 1-Ph	x		
8000-002	Compressor 1-Ph		x	
8000-023	Compressor 1-Ph			x
5051-011	Condenser Coil	x		
5051-017	Condenser Coil		x	x
8401-007	Contactoer	x	x	x
8401-006	Contactoer 24V	x	x	x
5060-013	Evaporator Coil	x		
5060-018	Evaporator Coil		x	x
5151-001	Fan Blade	x	x	x
7003-007	Filter	x	x	x
8604-023	Heat Strip 5Kw	x	x	x
8604-024	Heat Strip 10Kw	x	x	x
8402-024	Limit Switch	x	x	x
8106-005	Motor	x	x	x
8201-009	Relay - Blower	x	x	x
5210-003	Strainer	x	x	x
8607-005	Terminal Board 24V	x	x	x
8607-001	Terminal Block 230V	x	x	x
8402-019	Thermal Cut-off	x	x	x
8407-007	Transformer	x	x	x

Minimum Net Billing \$5.00. Supersedes all previous lists.  
Subject to change without notice. F.O.B. Bryan, Ohio.



ALPHABETICAL PARTS LIST  
SINGLE PACKAGE AIR CONDITIONERS

4/1/76

PART NO.	DESCRIPTION	18CRB	24CRB
5152-032	Blower Housing	x	x
5152-027	Blower Housing	x	x
5152-016	Blower Wheel	x	x
5152-008	Blower Wheel	x	x
8552-006	Capacitor 370V	x	
8552-007	Capacitor 370V		x
8552-001	Capacitor 370V	x	x
5811-004	Capillary Tube (3 req'd)	x	
5811-001	Capillary Tube (3 req'd)		x
8000-001	Compressor 1-Ph	x	
8000-002	Compressor 1-Ph		x
5051-014	Condenser Coil	x	
5051-015	Condenser Coil		x
8401-007	Contactator - Compressor	x	x
8401-006	Contactator - Heater	x	x
5060-003	Evaporator Coil	x	
5060-013	Evaporator Coil		x
7004-003	Filter	x	x
8604-023	Heat Strip 5Kw	x	x
8604-024	Heat Strip 10Kw	x	x
8402-012	Limit Switch	x	x
8102-004	Motor - Blower	x	x
8105-007	Motor - Fan	x	x
8200-003	Motor Mount - Blower	x	x
8200-007	Motor Mount - Blower	x	x
5451-011	Motor Mounting Parts	x	x
8201-009	Relay - Blower	x	x
5210-003	Strainer	x	x
8607-006	Terminal Board 24V	x	x
8607-001	Terminal Block 230V	x	x
8402-025	Thermal Cut-off	x	x
8407-007	Transformer	x	x

Minimum Net Billing \$5.00. Supersedes all previous lists.  
Subject to change without notice. F.O.B. Bryan, Ohio.

ALPHABETICAL PARTS LIST  
SINGLE PACKAGE HEAT PUMPS

4/1/76

PART NO.	DESCRIPTION	18WH	24WH	36WH	36WH-3
5152-030	Blower Housing	x	x	x	x
5152-028	Blower Wheel	x	x	x	x
5152-029	Blower Wheel	x	x	x	x
8552-007	Capacitor 370V	x	x		
8552-012	Capacitor 440V			x	
8552-001	Capacitor 370V	x	x	x	x
5811-021	Cap Tube - Cool	x	x		
5811-008	Cap Tube - Heat	x			
5811-017	Cap Tube - Heat		x		
5811-022	Cap Tube - Cool (2 req'd)			x	x
5811-018	Cap Tube - Heat			x	x
5651-006	Check Valve	x	x	x	x
8000-004	Compressor 1-Ph	x			
8000-005	Compressor 1-Ph		x		
8000-008	Compressor 1-Ph			x	
8000-009	Compressor 3-Ph				x
5051-004	Condenser Coil	x			
5051-008	Condenser Coil		x		
5051-003	Condenser Coil			x	x
8401-007	Contacto - Compressor	x	x		
8401-003	Contacto - Compressor			x	
8401-002	Contacto - Compressor				x
8401-006	Contacto - Heater	x	x	x	x
8605-001	Crankcase Heater				x
8408-004	Defrost Mtg. Plate	x	x	x	x
8408-002	Defrost Thermostat	x	x	x	x
5060-007	Evaporator Coil	x			
5060-005	Evaporator Coil		x		
5060-006	Evaporator Coil			x	x
5151-009	Fan Blade	x	x		
5151-004	Fan Blade			x	x
7004-006	Filter	x	x		
7004-008	Filter			x	x
8614-005	Fuse - Heater			x	
8614-022	Fuse - Compressor			x	
8614-013	Fuse Block			x	
8604-001	Heat Strip 4Kw	x	x	x	
8604-003	Heat Strip 8Kw	x	x	x	
8604-004	Heat Strip 10Kw	x	x	x	
8604-002	Heat Strip 5Kw			x	
8604-029	Heat Strip 9Kw				x
8604-046	Heat Strip 12Kw				x
8604-047	Heat Strip 15Kw			x	x

ALPHABETICAL PARTS LIST  
SINGLE PACKAGE HEAT PUMPS

4/1/76

PART NO.	DESCRIPTION	18WH	24WH	36WH	36WH-3
8201-024	High Pressure Switch	x	x	x	x
8402-010	Limit Switch	x	x	x	x
8101-001	Motor - Blower	x			
8102-002	Motor - Blower		x		
8105-003	Motor - Blower			x	x
8103-002	Motor - Fan	x	x	x	x
8200-006	Motor Mount - Fan	x	x	x	x
8201-008	Relay - Blower	x	x	x	x
8201-013	Relay - Changeover	x	x	x	x
8201-018	Relay - Defrost	x	x	x	x
5650-004	Reversing Valve	x	x		
5650-006	Reversing Valve			x	x
5650-002	Solenoid Coil	x	x	x	x
5210-004	Strainer			x	x
8607-005	Terminal Board 24V	x	x	x	x
8607-001	Terminal Block 230V	x	x	x	
8607-002	Terminal Block 230V				x
8607-003	Terminal Block 230V			x	
8402-027	Thermal Cut-off			x	x
8402-021	Thermal Cut-off	x	x	x	x
8612-002	Timer	x	x	x	x
8407-013	Transformer	x	x	x	
8407-009	Transformer				x

Minimum Net Billing \$5.00. Supersedes all previous lists.  
Subject to change without notice. F.O.B. Bryan, Ohio

ALPHABETICAL PARTS LIST  
SPLIT SYSTEM HEAT PUMPS

4/1/76

PART NO.	DESCRIPTION	18HPQ	24HPQ	30HPQ2	36HPQ2	36HPQ2-3	48HPQ1	48HPQ1-3	60HPQ2	60HPQ2-3
8552-007	Capacitor 370V	x	x	x						
8552-012	Capacitor 440V				x					
8552-010	Capacitor 440V						x			
8552-011	Capacitor 440V								x	
8552-005	Capacitor 370V						x	x	x	x
5811-031	Cap Tube - Heat	x								
5811-014	Cap Tube - Heat		x							
5811-022	Cap Tube - Heat			x	x	x				
5811-007	Cap Tube - Heat (2 req'd)						x	x		
5811-016	Cap Tube - Heat (2 req'd)								x	x
5651-006	Check Valve	x	x	x	x	x	x	x	x	x
8000-004	Compressor 1-Ph	x								
8000-005	Compressor 1-Ph		x							
8000-006	Compressor 1-Ph			x						
8000-008	Compressor 1-Ph				x					
8000-009	Compressor 3-Ph					x				
8000-016	Compressor 1-Ph						x			
8000-017	Compressor 3-Ph							x		
8000-020	Compressor 1-Ph								x	
8000-021	Compressor 3-Ph									x
83494	Compressor Overload						x			
83493	Compressor Overload							x		
83672	Compressor Overload								x	
83684	Compressor Overload									x
5051-004	Condenser Coil	x								
5051-008	Condenser Coil		x							
5051-003	Condenser Coil			x	x	x				
5051-010	Condenser Coil						x	x		
5051-002	Condenser Coil								x	x
8401-007	Contacto - Compressor	x	x	x						
8401-003	Contacto - Compressor				x					
8401-002	Contacto - Compressor					x		x		x
8401-001	Contacto - Compressor						x		x	
8605-001	Crankcase Heater					x		x		x
8408-004	Defrost Mounting Plate	x	x	x	x	x	x	x	x	x
8408-002	Defrost Thermostat	x	x	x	x	x	x	x	x	x
5151-001	Fan Blade	x	x							
5151-007	Fan Blade			x	x	x				
5151-017	Fan Blade						x	x	x	x

ALPHABETICAL PARTS LIST  
SPLIT SYSTEM HEAT PUMPS

4/1/76

PART NO.	DESCRIPTION	18HPQ	24HPQ	30HPQ2	36HPQ2	36HPQ2-3	48HPQ1	48HPQ1-3	60HPQ2	60HPQ2-3
8201-024	High Pressure Switch	x	x	x	x	x	x	x	x	x
8104-003	Motor - Fan	x	x							
8103-002	Motor - Fan			x	x	x				
8105-005	Motor - Fan						x	x	x	x
8200-001	Motor Mount - Fan	x	x							
8200-006	Motor Mount - Fan			x	x	x				
8200-004	Motor Mount - Fan						x	x	x	x
8201-002	Relay - Blower						x	x	x	x
8201-013	Relay - Changeover	x	x	x	x	x	x	x	x	x
8201-018	Relay - Defrost	x	x	x	x	x	x	x	x	x
8201-014	Relay - Emer, Heat	x	x	x	x	x				
5650-004	Reversing Valve	x	x							
5650-005	Reversing Valve			x						
5650-006	Reversing Valve				x	x	x	x	x	x
5650-002	Solenoid Coil	x	x	x	x	x	x	x	x	x
8551-001	Start Capacitor						x		x	
8201-020	Start Relay						x		x	
5210-002	Strainer	x	x	x	x	x				
5210-006	Strainer						x	x	x	x
8607-006	Terminal Board 24V	x	x	x	x	x				
8607-005	Terminal Board 24V						x	x	x	x
8612-002	Timer	x	x	x	x	x	x	x	x	x
8407-009	Transformer						x	x	x	x

Minimum Net Billing \$5.00. Supersedes all previous lists.  
Subject to change without notice. F.O.B. Bryan, Ohio.



ALPHABETICAL PARTS LIST  
SINGLE PACKAGE HEAT PUMPS

4/1/76

PART NO.	DESCRIPTION	PH24	PH30	PH36	PH36-3	PH48	PH48-3	PH60	PH60-3
5152-020	Blower Housing	x	x						
5152-026	Blower Housing			x	x				
5152-027	Blower Housing					x	x	x	x
5152-019	Blower Wheel	x	x						
5152-013	Blower Wheel			x	x				
5152-015	Blower Wheel					x	x	x	x
8552-007	Capacitor 370V	x	x						
8552-012	Capacitor 440V			x					
8552-010	Capacitor 440V					x			
8552-011	Capacitor 440V							x	
8552-001	Capacitor 370V			x	x				
8552-002	Capacitor 370V	x	x						
8552-005	Capacitor 370V					x	x		
8552-004	Capacitor 370V							x	x
8552-003	Capacitor 370V					x	x	x	x
5811-021	Cap. Tube - Cool	x							
5811-019	Cap. Tube - Heat	x							
5811-027	Cap. Tube - Cool		x						
5811-023	Cap. Tube - Heat		x						
5811-022	Cap. Tube - Cool (2 req'd)			x	x				
5811-018	Cap. Tube - Heat			x	x				
5811-008	Cap. Tube - Cool (3 req'd)					x	x		
5811-008	Cap. Tube - Heat (2 req'd)					x	x		
5811-025	Cap. Tube - Cool (2 req'd)							x	x
5811-020	Cap. Tube - Heat (2 req'd)							x	x
5651-006	Check Valve	x	x	x	x	x	x	x	x
8000-005	Compressor 1-Ph	x							
8000-006	Compressor 1-Ph		x						
8000-008	Compressor 1-Ph			x					
8000-009	Compressor 3-Ph				x				
8000-016	Compressor 1-Ph					x			
8000-017	Compressor 3-Ph						x		
8000-020	Compressor 1-Ph							x	
8000-021	Compressor 3-Ph								x
83494	Compressor Overload					x			
83493	Compressor Overload						x		
83672	Compressor Overload							x	
83684	Compressor Overload								x
5051-008	Condenser Coil	x	x						
5051-003	Condenser Coil			x	x				
5051-010	Condenser Coil					x	x		
5051-002	Condenser Coil							x	x
8401-006	Contactator - Compressor	x	x						
8401-003	Contactator - Compressor			x					
8401-002	Contactator - Compressor				x		x		x
8401-001	Contactator - Compressor					x		x	
8401-006	Contactator - Heater	x	x	x	x	x	x	x	x

ALPHABETICAL PARTS LIST  
SINGLE PACKAGE HEAT PUMPS

4/1/76

PART NO.	DESCRIPTION	PH24	PH30	PH36	PH36-3	PH48	PH48-3	PH60	PH60-3
8605-001	Crankcase Heater				X		X		X
8408-004	Defrost Mtg. Plate	X	X	X	X	X	X	X	X
8408-003	Defrost Thermostat	X	X						
8408-002	Defrost Thermostat			X	X	X	X	X	X
5060-005	Evaporator Coil	X	X						
5060-006	Evaporator Coil			X	X				
5060-001	Evaporator Coil					X	X		
5060-011	Evaporator Coil							X	X
5151-009	Fan Blade	X	X						
5151-004	Fan Blade			X	X				
5151-017	Fan Blade					X	X		
5151-016	Fan Blade							X	X
8614-022	Fuse - Compressor			X		X		X	
8614-005	Fuse - Heater			X		X		X	
8614-004	Fuse - Heater					X		X	
8614-014	Fuse Block					X		X	
8614-019	Fuse Block							X	
8614-013	Fuse Block			X					
8604-042	Heat Strip 5Kw	X	X						
8604-044	Heat Strip 10Kw	X	X						
8604-002	Heat Strip 5Kw			X	X	X	X	X	X
8604-004	Heat Strip 10Kw			X	X	X	X	X	X
8604-001	Heat Strip 4Kw				X		X		X
8604-003	Heat Strip 8Kw				X		X		X
8604-029	Heat Strip 9Kw				X		X		X
8201-024	High Pressure Switch	X	X	X	X	X	X	X	X
8402-015	Limit Switch	X	X						
8402-012	Limit Switch			X	X	X	X	X	X
8106-005	Motor - Blower & Fan	X	X						
8105-007	Motor - Blower			X	X				
8106-006	Motor - Blower					X	X	X	X
8103-002	Motor - Fan			X	X				
8105-005	Motor - Fan					X	X		
8106-007	Motor - Fan							X	X
8200-003	Motor Mount - Blower					X	X	X	X
8200-007	Motor Mount - Blower			X	X				
8200-006	Motor Mount - Fan			X	X				
8200-004	Motor Mount - Fan					X	X		
5451-011	Motor Mounting Parts			X	X	X	X	X	X
8201-008	Relay - Blower	X	X	X	X	X	X	X	X
8201-013	Relay - Changeover	X	X	X	X	X	X	X	X
8201-018	Relay - Defrost	X	X	X	X	X	X	X	X
8201-011	Relay - Interlock	X	X						

ALPHABETICAL PARTS LIST  
SINGLE PACKAGE HEAT PUMPS

4/1/76

PART NO.	DESCRIPTION	PH24	PH30	PH36	PH36-3	PH48	PH48-3	PH60	PH60-3
5650-004	Reversing Valve	x							
5650-005	Reversing Valve		x						
5650-006	Reversing Valve			x	x	x	x	x	x
5650-002	Solenoid Coil	x	x	x	x	x	x	x	x
8551-001	Start Capacitor					x		x	
8201-020	Start Relay					x		x	
5210-002	Strainer	x	x						
5210-004	Strainer			x	x	x	x		
5210-003	Strainer					x	x		
5210-006	Strainer							x	x
8607-005	Terminal Board 24V	x	x	x	x	x	x	x	x
8607-001	Terminal Block 230V	x	x	x		x		x	
8607-002	Terminal Block 230V				x		x		x
8607-003	Terminal Block 230V	x	x	x		x		x	
8402-026	Thermal Cutoff	x	x						
8402-021	Thermal Cutoff			x	x	x	x	x	x
8612-002	Timer	x	x	x	x	x	x	x	x
8407-013	Transformer	x	x	x					
8407-009	Transformer				x	x	x	x	x

Minimum Net Billing \$5.00. Supersedes all previous lists.  
Subject to change without notice. F.O.B. Bryan, Ohio

ALPHABETICAL PARTS LIST  
SPLIT SYSTEM BLOWER COILS

4/1/76

PART NO.	DESCRIPTION	B18EQ1	B24EQ1	B18EHQ	B24EHQ	B36EHQ	B48HQ1	B60HQ2
5601-006	Belt						X	
5601-008	Belt							X
5153-012	Blower Bearing (2 req'd)						X	X
5152-032	Blower Housing	X	X	X	X			
5152-034	Blower Housing					X		
5152-037	Blower Housing						X	X
5152-008	Blower Wheel	X	X	X	X			
5152-014	Blower Wheel					X		
5152-022	Blower Wheel						X	X
8552-001	Capacitor 370V	X	X	X	X			
8552-002	Capacitor 370V					X		
5811-004	Capillary Tube (3 req'd)	X						
5811-001	Capillary Tube (3 req'd)		X					
5811-016	Capillary Tube			X				
5811-002	Capillary Tube (3 req'd)				X			
5811-010	Capillary Tube (3 req'd)					X		
5811-008	Capillary Tube (3 req'd)						X	
5811-025	Capillary Tube (2 req'd)							X
5651-006	Check Valve			X	X	X	X	X
5153-018	Collar						X	X
8401-006	Contactator - Heater	X	X	X	X	X		
5153-014	Cushion (2 req'd)						X	X
5060-003	Evaporator Coil	X						
5060-013	Evaporator Coil		X					
5060-017	Evaporator Coil			X				
5060-016	Evaporator Coil				X			
5060-012	Evaporator Coil					X		
5060-008	Evaporator Coil						X	
5060-014	Evaporator Coil							X
7004-003	Filter	X	X	X	X			
7003-006	Filter					X		
7004-006	Filter						X	X
8614-004	Fuse - Heater					X		
8614-007	Fuse - Heater					X		
8614-005	Fuse - Heater					X		
8614-017	Fuse Block					X		
8614-013	Fuse Block					X		
8614-014	Fuse Block					X		
8614-019	Fuse Block					X		

ALPHABETICAL PARTS LIST  
SPLIT SYSTEM BLOWER COILS

4/1/76

PART NO.	DESCRIPTION	B18EQ1	B24EQ1	B18EHQ	B24EHQ	B36EHQ	B48HQ1	B60HQ2
8604-027	Heat Strip 4Kw	x	x	x	x			
8604-023	Heat Strip 5Kw	x	x	x	x	x		
8604-026	Heat Strip 8Kw	x	x	x	x			
8604-024	Heat Strip 10Kw	x	x	x	x	x		
8604-025	Heat Strip 15Kw			x	x	x		
8402-012	Limit Switch	x	x					
8402-028	Limit Switch			x	x			
8402-022	Limit Switch					x		
8102-004	Motor - Blower	x	x	x	x			
8105-010	Motor - Blower					x		
8105-002	Motor - Blower						x	
8107-001	Motor - Blower							x
8200-003	Motor Mount	x	x	x	x	x		
8200-016	Motor Mount						x	x
5451-011	Motor Mounting Parts	x	x	x	x	x		
5501-012	Pulley - Blower						x	
5501-015	Pulley - Motor						x	
5501-016	Pulley - Motor							x
8201-009	Relay - Blower	x	x			x		
1912-005	Shaft - Blower						x	x
5210-003	Strainer	x	x	x	x	x	x	
5210-006	Strainer							x
8607-006	Terminal Board 24V	x	x	x	x			
8607-005	Terminal Board 24V					x		
8607-001	Terminal Block 230V	x	x	x	x	x		
8402-025	Thermal Cut-off	x	x			x		
8402-027	Thermal Cut-off			x	x			
8407-007	Transformer	x	x					
8407-013	Transformer			x	x	x		
5153-002	Washer - Neoprene (2 req'd)						x	x
8201-008	Relay - Blower			x	x			

Minimum Net Billing \$5.00. Supersedes all previous lists.  
Subject to change without notice. F.O.B. Bryan, Ohio



**ALPHABETICAL PARTS LIST  
ELECTRIC FURNACE**

4/1/76

PART NO.	DESCRIPTION	EFC10	EFC10-B	EFC15	EFC20	EFC25	EFC30
5152-026	Blower Housing	x					
5152-035	Blower Housing		x	x	x		
5152-034	Blower Housing					x	x
5152-005	Blower Wheel	x					
5152-010	Blower Wheel		x	x	x		
5152-014	Blower Wheel					x	x
1171-005	Cabinet Latch (2 req'd)	x	x	x	x	x	x
8552-001	Capacitor 370V		x	x	x		
8552-002	Capacitor 370V					x	x
1171-002	Door Pull	x	x	x	x	x	x
7004-001	Filter (2 req'd)	x					
7003-001	Filter (2 req'd)		x	x	x	x	x
8614-007	Fuse			(2)	(4)	(4)	(6)
8614-006	Fuse (2 req'd)			x		x	
8614-017	Fuse Block			x			
8614-013	Fuse Block				x		
8614-014	Fuse Block					x	
8614-019	Fuse Block						x
8604-014	Heat Strip 10Kw	x	x		(2)	x	
8604-015	Heat Strip 15Kw			x		x	(2)
8402-015	Limit Switch	(2)	(2)	(3)	(4)	(5)	(6)
8102-003	Motor	x					
8105-012	Motor		x	x	x		
8105-010	Motor					x	x
8200-003	Motor Mount	x	x	x	x	x	x
5451-011	Motor Mounting Parts	x	x	x	x	x	x
8201-014	Relay - Blower	x	x	x	x	x	x
8401-017	Sequencer				x		x
8401-018	Sequencer	x	x			x	x
8401-019	Sequencer			x	x	x	x
8607-005	Terminal Board 24V	x	x	x	x	x	x
8607-001	Terminal Block 230V	x	x				
8402-018	Thermal Cut-off	(2)	(2)	(3)	(4)	(5)	(6)
8407-007	Transformer	x	x	x	x	x	x

Minimum Net Billing - \$5.00. Supersedes all previous lists.  
Subject to change without notice. F.O.B. Bryan, Ohio

ALPHABETICAL PARTS LIST  
HIGH-BOY GAS FURNACE

4/1/76

PART NO.	DESCRIPTION	H60SD2	H80SD2	H80SD3	H105S	H105SD2	H105SD3	H120S	H120SD4	H140S	H160S
5153-012	Bearings 3/4"				X			X		X	X
5601-001	Belt				X			X			
5601-003	Belt									X	X
9010-001	Burner	X	X	X	X	X	X	X	X	X	X
8552-002	Capacitor 370V			X			X		X		
5153-018	Collar 3/4"				X			X		X	X
5153-014	Cushion - Bearing				X			X		X	X
8402-007	Fan and Limit	X	X	X							
8402-001	Fan and Limit				X		X	X	X	X	X
8402-008	Fan and Limit					X					
7004-011	Filter	X				X					
7003-004	Filter		X	X	X		X	X	X	X	X
9041-008	Heat Exchanger	X	X	X							
9041-009	Heat Exchanger				X	X	X	X	X		
9041-010	Heat Exchanger									X	X
5152-035	Housing - Blower	X	X	X		X					
5152-034	Housing - Blower				X		X	X	X		
5152-037	Housing - Blower									X	X
5818-001	Manifold	X	X	X							
5818-002	Manifold				X	X	X	X	X		
5818-003	Manifold									X	X
8102-005	Motor	X	X			X					
8105-008	Motor			X			X				
8104-001	Motor				X						
8105-001	Motor							X		X	
8106-001	Motor										X
8105-009	Motor								X		
8200-014	Motor Adjusting Kit				X			X		X	X
8200-003	Motor Mount	X	X	X		X	X		X		
8200-016	Motor Mount				X			X			
8200-013	Motor Mount									X	X
5451-011	Motor Mounting Parts	X	X	X		X	X		X		
9010-013	Orifice LP	X									
9010-011	Orifice LP		X	X				X	X		X
9010-008	Orifice Nat		X	X				X	X		X
9010-009	Orifice Nat				X	X	X			X	
9010-012	Orifice LP				X	X	X			X	
9010-010	Orifice Nat	X									

ALPHABETICAL PARTS LIST  
HIGH-BOY GAS FURNACE

4/1/76

PART NO.	DESCRIPTION	H60SD2	H80SD2	H80SD3	H105S	H105SD2	H105SD3	H120S	H120SD4	H140S	H160S
8554-002	Pilot Burner - Nat	X	X	X	X	X	X	X	X	X	X
8554-001	Pilot Burner - LP	X	X	X	X	X	X	X	X	X	X
5501-005	Pulley - Blower				X			X			
5501-007	Pulley - Blower									X	X
5501-001	Pulley - Motor				X			X		X	X
1912-001	Shaft - Blower				X			X			
1912-005	Shaft - Blower									X	X
8554-003	Thermocouple	X	X	X	X	X	X	X	X	X	X
8407-006	Transformer	X	X		X	X		X		X	X
8201-007	Transformer w/Relay*	X	X		X	X		X		X	X
8201-006	Trans.w/2-Speed Relay			X			X		X		
5651-001	Valve - Nat	X	X	X	X	X	X	X	X	X	X
5651-003	Valve - LP	X	X	X	X	X	X	X	X	X	X
5153-002	Washer - Neoprene				X			X		X	X
5152-003	Wheel - Blower	X									
5152-004	Wheel - Blower		X			X					
5152-010	Wheel - Blower			X							
5152-002	Wheel - Blower				X			X			
5152-014	Wheel - Blower						X		X		
5152-022	Wheel - Blower									X	X

\*Optional for air conditioning.  
Minimum Net Billing \$5.00. Supersedes all previous lists.  
Subject to change without notice. F.O.B. Bryan, Ohio.

ALPHABETICAL PARTS LIST  
LOW-BOY GAS FURNACES

4/1/76

PART NO.	DESCRIPTION	G101	G126	G151	G176-2	G215-2	G352	G430
5153-012	Bearings 3/4"	x	x	x				
5153-013	Bearings 1"				x	x	x	x
5601-005	Belt	x						
5601-001	Belt		x					
5601-002	Belt			x				
5601-009	Belt				x	x	x	x
9010-014	Burner Venturi	x	x					
9010-002	Burner Venturi			x	x	x	x	x
5153-018	Collar 3/4"	x	x	x				
5153-021	Collar 1"				x	x	x	x
5153-014	Cushion - Bearing	x	x	x				
5153-015	Cushion - Bearing				x	x	x	x
1171-003	Door Handles	x	x	x	x	x	x	x
1171-002	Door Pull		x	x				
8402-004	Fan and Limit	x			x	x	x	x
8402-002	Fan and Limit		x	x				
7004-012	Filter	x						
7004-013	Filter		x					
7004-011	Filter			x	x	x	x	x
5451-001	Grommet -Blower Leg	x	x	x	x	x	x	x
9041-001	Heat Exchanger	x						
9041-002	Heat Exchanger		x					
9041-003	Heat Exchanger			x				
9041-004	Heat Exchanger				x	x	x	x
5152-036	Housing - Blower	x						
5152-037	Housing - Blower		x	x				
5152-038	Housing - Blower				x	x	x	x
8102-001	Motor	x						
8104-002	Motor		x					
8105-002	Motor			x	x		(2)	
8106-001	Motor					x		(2)
8200-014	Motor Adj. Kit	x	x	x	x	x	x	x
8200-016	Motor Mount	x						
8200-015	Motor Mount				x	x	x	x
9010-006	Orifice	x	x	x	x	x	x	x
8554-002	Pilot Burner - Nat	x	x	x	x	x	x	x
8554-001	Pilot Burner - LP	x	x	x	x	x	x	x

ALPHABETICAL PARTS LIST  
LOW-BOY GAS FURNACES

4/1/76

PART NO.	DESCRIPTION	G101	G126	G151	G176-2	G215-2	G352	G430
5501-012	Pulley - Blower	x	x	x				
5501-010	Pulley - Blower				x	x	x	x
5501-015	Pulley - Motor	x	x	x	x	x	x	x
1912-001	Shaft - Blower	x	x	x				
1912-006	Shaft - Blower				x	x	(2)	(2)
8554-004	Thermocouple	x	x	x	x	x	x	x
8407-006	Transformer	x	x	x	x	x	x	x
5651-001	Valve - Nat	x	x	x				
5651-002	Valve - Nat				x	x	x	x
5651-003	Valve - LP	x	x	x	x	x	x	x
5153-002	Washer - Neoprene	x	x	x				
5153-003	Washer - Neoprene				x	x	x	x
5152-021	Wheel - Blower	x						
5152-022	Wheel - Blower		x	x				
5152-025	Wheel - Blower				x	x	x	x

Minimum Net Billing \$5.00. Supersedes all previous lists.  
Subject to change without notice. F.O.B. Bryan, Ohio.



ALPHABETICAL PARTS LIST  
COUNTERFLOW GAS FURNACE

4/1/76

PART NO.	DESCRIPTION	C60SD2	C80SD2	C105SD3	C105S	C120S	C140S	C160S
5153-012	Bearings 3/4"				X	X	X	X
5601-005	Belt				X	X		
5601-006	Belt						X	X
9010-001	Burner	X	X	X	X	X	X	X
8552-002	Capacitor 370V			X				
5153-018	Collar 3/4"				X	X	X	X
5153-014	Cushion - Bearing				X	X	X	X
8402-001	Fan and Limit			X	X	X	X	X
8402-007	Fan and Limit	X	X					
7003-001	Filter			X	X	X	X	X
7003-002	Filter	X	X	X	X	X	X	X
9041-005	Heat Exchanger	X	X					
9041-006	Heat Exchanger			X	X	X		
9041-007	Heat Exchanger						X	X
5152-035	Housing - Blower	X	X					
5152-034	Housing - Blower			X	X	X		
5152-037	Housing - Blower						X	X
8402-014	Limit Switch	X	X	X	X	X	X	X
5818-001	Manifold	X	X					
5818-002	Manifold			X	X	X		
5818-003	Manifold						X	X
8102-005	Motor	X	X					
8105-008	Motor			X				
8104-001	Motor				X			
8105-001	Motor					X	X	
8106-001	Motor							X
8200-014	Motor Adjusting Kit				X	X	X	X
8200-003	Motor Mount	X	X	X				
8200-016	Motor Mount				X	X		
8200-013	Motor Mount						X	X
5451-011	Motor Mounting Parts	X	X	X				
9010-013	Orifice LP	X						
9010-008	Orifice Nat		X			X		X
9010-009	Orifice Nat			X	X			
9010-011	Orifice LP		X			X		X
9010-012	Orifice LP			X	X		X	
9010-010	Orifice Nat	X						

ALPHABETICAL PARTS LIST  
COUNTERFLOW GAS FURNACE

4/1/76

PART NO.	DESCRIPTION	C60SD2	C80SD2	C105SD3	C105S	C120S	C140S	C160S
8554-002	Pilot Burner - Nat	X	X	X	X	X	X	X
8554-001	Pilot Burner - LP	X	X	X	X	X	X	X
5501-005	Pulley - Blower				X	X	X	X
5501-001	Pulley - Motor				X	X	X	X
1912-001	Shaft - Blower				X	X		
1912-005	Shaft - Blower						X	X
8554-003	Thermocouple	X	X	X	X	X	X	X
8407-006	Transformer	X	X		X	X	X	X
8201-007	Transformer w/Relay*	X	X		X	X	X	X
8201-006	Transformer w/2-Speed Relay			X				
5651-001	Valve - Nat	X	X	X	X	X	X	X
5651-003	Valve - LP	X	X	X	X	X	X	X
5153-002	Washer - Neoprene				X	X	X	X
5152-003	Wheel - Blower	X						
5152-004	Wheel - Blower		X					
5152-014	Wheel - Blower			X				
5152-002	Wheel - Blower				X	X		
5152-022	Wheel - Blower						X	X

\*Optional for air conditioning.

Minimum Net Billing \$5.00. Supersedes all previous lists.

Subject to change without notice. F.O.B. Bryan, Ohio

ALPHABETICAL PARTS LIST  
OIL FURNACES

4/1/76

PART NO.	DESCRIPTION	F81	F96	NB120	C1	C2	F86CF	F100CF	F86H	F120H	HZ95
5153-012	Bearings 3/4"	x	x	x			x	x	x	x	x
5153-013	Bearings 1"				x	x					
5601-007	Belt	x									
5601-001	Belt		x						x		
5601-003	Belt			x							
5601-009	Belt				x	x					
5601-005	Belt						x	x			
5601-002	Belt									x	
5601-004	Belt										x
5153-018	Collar 3/4"	x	x	x			x	x	x	x	x
5153-021	Collar 1"				x	x					
7090-005	Combustion Chamber	x	x				x	x	x		
7090-003	Combustion Chamber			x						x	
7090-006	Combustion Chamber				x	x					
7090-002	Combustion Chamber										x
5153-014	Cushion - Bearing	x	x	x			x	x	x	x	x
5153-015	Cushion - Bearing				x	x					
8402-004	Fan and Limit	x					x	x			
8402-002	Fan and Limit		x		x	x					
8402-005	Fan and Limit			x					x	x	
8402-003	Fan and Limit										x
7004-012	Filter	x		(2)						x	
7004-013	Filter		x								x
7004-011	Filter				x				x		
7004-001	Filter						(2)				
7004-003	Filter							(2)			
7003-004	Filter					(2)					
7004-010	Filter									x	
1171-002	Handle - Door	.	x								
1171-003	Handle - Door		(2)				(2)	(2)	(2)		
9041-001	Heat Exchanger	x					x		x		
9041-014	Heat Exchanger		x								
9041-017	Heat Exchanger			x							
9041-018	Heat Exchanger				x						
9041-019	Heat Exchanger					x					
9041-011	Heat Exchanger										x
9041-021	Heat Exchanger							x			
9041-016	Heat Exchanger									x	

ALPHABETICAL PARTS LIST  
OIL FURNACES

4/1/76

PART NO.	DESCRIPTION	F81	F96	NB120	C1	C2	F86CF	F100CF	F86H	F120H	HZ95
5152-027	Housing - Blower	x	x				x	x	x		x
5152-023	Housing - Blower			x						x	
5152-038	Housing - Blower				x	x					
8102-001	Motor	x									
8104-002	Motor		x				x	x	x		x
8104-001	Motor			x							
8105-001	Motor				x	x					
8105-002	Motor									x	
8106-001	Motor									x	
8200-014	Motor Adj. Kit	x	x	x	x	x	x	x	x	x	x
9011-001	Nozzle	x					x		x		
9011-002	Nozzle		x					x			x
9011-004	Nozzle			x						x	
9011-006	Nozzle				x						
9011-009	Nozzle					x					
5501-013	Pulley - Blower	x		x							
5501-012	Pulley - Blower		x				x	x	x	x	x
5501-014	Pulley - Blower				x	x					
5501-015	Pulley - Motor	x	x	x	x	x	x	x	x	x	x
8400-001	Relay	x	x	x	x	x	x	x	x	x	x
8400-002	Sensor Cell	x	x	x	x	x	x	x	x	x	x
1912-001	Shaft - Blower	x	x				x	x	x		x
1912-005	Shaft - Blower			x							x
1912-006	Shaft - Blower				x	x					
8402-015	Upper Limit						x	x			
5153-002	Washer - Neoprene	x	x	x			x	x	x	x	x
5153-003	Washer - Neoprene				x	x					
5152-006	Wheel - Blower	x	x				x	x	x		x
5152-024	Wheel - Blower			x						x	
5152-025	Wheel - Blower				x	x					

Minimum Net Billing \$5.00. Supersedes all previous lists.  
Subject to change without notice. F.O.B. Bryan, Ohio.

ALPHABETICAL PARTS LIST  
ELECTRONIC AIR CLEANER

4/1/76

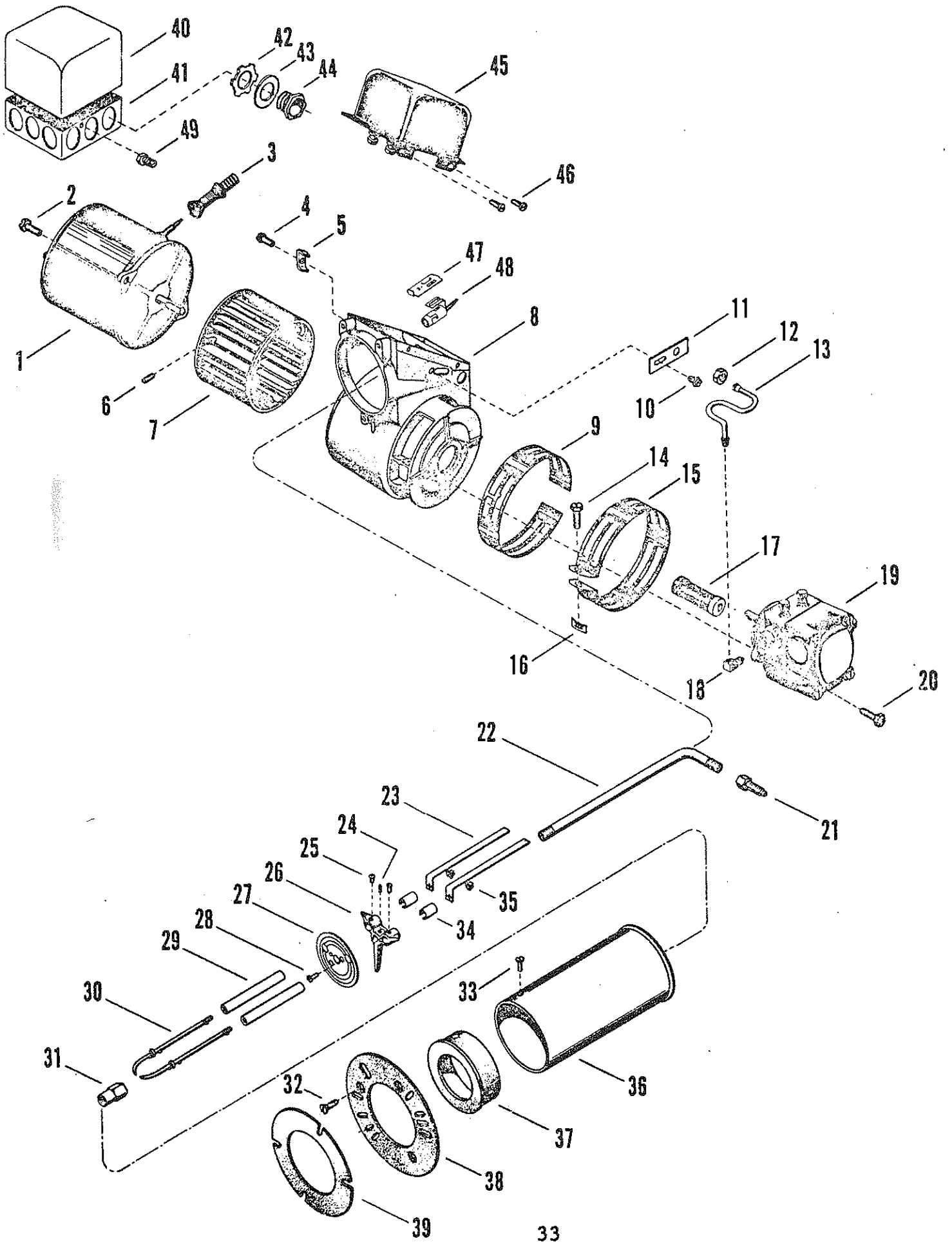
PART NO.	DESCRIPTION	AK14	AK20
8610-008	Capacitor	x	x
8610-005	Collector Cell	x	
8610-003	Collector Cell R.H.		x
8610-004	Collector Cell L.H.		x
8610-006	Contact Board (1 Cell)	x	
8610-007	Contact Board (2 Cell)		x
1171-001	Handle (Door)	x	x
8611-036	Light (Neon)	x	x
8610-011	Rectifier (2 req'd)	x	x
8610-009	Resistor	x	x
8610-010	Resistor	x	x
7002-001	Screen (Lint)	x	
7002-003	Screen (Lint)		x
8406-004	Switch (On/Off Imprint)	x	x
8406-001	Switch (Safety)	x	x
8407-002	Transformer Assembly	x	x

Minimum Net Billing \$5.00. Supersedes all previous lists.  
Subject to change without notice. F.O.B. Bryan, Ohio

PARTS LIST - MODEL OEA 6"  
SPEC. #129-1

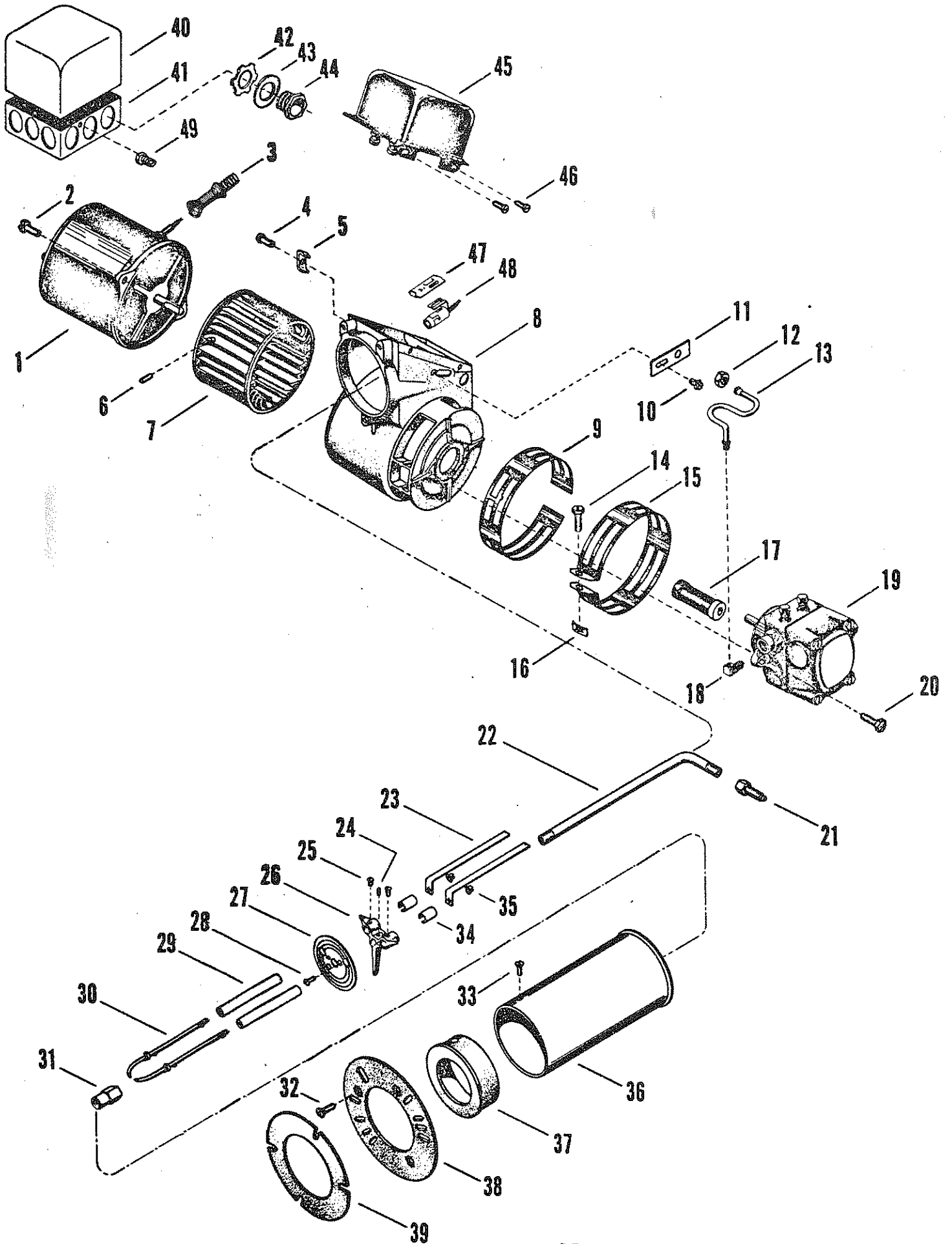
<u>ITEM NO.</u>	<u>DESCRIPTION</u>	<u>PART NO.</u>
1	Motor, 1/8 HP - 1725 RPM	20382
2	Motor Mounting Screw	12701
3	Motor Cord Cover	13121
4	Hold Down Clip Screw	13360
5	Transformer Hold Down Clip	13038
6	Fan Set Screw (Included w/Fan)	-
7	Fan, 6-1/4" Dia.	20289
8	Fan Housing Assembly	4725
9	Air Adjusting Band - Inner	2669
10	Oil Line Slot Cover Screw	12697
11	Oil Line Adj. Slot Cover	12338
12	Oil Line Locknut	12342
13	Oil Line Assembly	13368
14	Air Band Screw	12701
15	Air Adjusting Band - Outer	2668
16	Tinnerman Speed Nut	12343
17	Pump Coupling	13279
18	Oil Line Elbow	13270
19	Fuel Unit - Sundstrand A1VA-7012	13512
20	Fuel Unit Mounting Screw	12701
21	Oil Line Fitting	12335
22	Oil Pipe for 6" Tube	12334
23	Buss Bar for 6" Tube	12331
24	Set Screw (Included w/Electrode Support)	-
25	Electrode Support Screw	12694
26	Electrode Support	13418
27	Baffle Plate - 3-1/2"	12567
28	Baffle Plate Screw	12695
29	Insulator	12354
30	Electrode Stem & Washer	12550
31	Nozzle Adapter	12362
32	Flange Mounting Screw	12700
33	Air Cone Mounting Screw	12699
34	Insulator Bushing	12408
35	Palnut	13110
36	Air Tube - 6"	2718
37	Air Cone - 2-1/4"	12337
38	Flange	2685
39	Gasket	12484
41	J-Box	20369
42	Locknut, 1/2"	12910
43	Washer Spacer, 3/4" x 1/2"	13167
44	Chase Nipple, 1/2"	12909
45	Transformer, 115-60	20358
46	Transformer Hinge Screw	13045
47	Cad Cell Mounting Bracket	12951
48	Cad Cell - As Specified	None
49	J-Box Mounting Screw	13036
	Transformer Pkg. (Items 4, 5, 45 & 46)	3349
	Gun Assy (Items 21 thru 31 + 34 & 35) (600H)	2752
	Electrode Assy (Items 29, 30 & 35)	12575





PARTS LIST - MODEL OEA 8"  
SPEC. #129-3

<u>ITEM NO.</u>	<u>DESCRIPTION</u>	<u>PART NO.</u>
1	Motor, 1/8 HP - 1725 RPM	20382
2	Motor Mounting Screw	12701
3	Motor Cord Cover	13121
4	Hold Down Clip Screw	13360
5	Transformer Hold Down Clip	13038
6	Fan Set Screw (Included w/Fan)	-
7	Fan, 6-1/4" Dia.	20289
8	Fan Housing Assembly	4725
9	Air Adjusting Band - Inner	2669
10	Oil Line Slot Cover Screw	12697
11	Oil Line Adj. Slot Cover	12338
12	Oil Line Locknut	12342
13	Oil Line Assembly	13368
14	Air Band Screw	12701
15	Air Adjusting Band - Outer	2668
16	Tinnerman Speed Nut	12343
17	Pump Coupling	13279
18	Oil Line Elbow	13270
19	Fuel Unit - Sundstrand ALVA-7012	13512
20	Fuel Unit Mounting Screw	12701
21	Oil Line Fitting	12335
22	Oil Pipe for 8" Tube	12346
23	Buss Bar For 8" Tube	12344
24	Set Screw (Incl. w/Electrode Support)	-
25	Electrode Support Screw	12694
26	Electrode Support	13418
27	Baffle Plate	12567
28	Baffle Plate Screw	12695
29	Insulator	12354
30	Electrode Stem & Washer	12550
31	Nozzle Adapter	12362
32	Flange Mounting Screw	12700
33	Air Cone Mounting Screw	12699
34	Insulator Bushing	12408
35	Palnut	13110
36	Air Tube - 8" $\phi$	2721
37	Air Cone - 2-1/4"	12337
38	Flange	2685
39	Gasket	12484
41	J-Box, 4 x 4 x 1-1/2"	20369
42	Locknut, 1/2"	12910
43	Washer Spacer, 3/4" x 1/2"	13167
44	Chase Nipple, 1/2"	12909
45	Transformer, 115-60	20358
46	Transformer Hinge Screw	13045
47	Cad Cell Mounting Bracket	12951
48	Cad Cell	None
49	J-Box Mounting Screw	13036
	Transformer Pkg. (Items 4, 5, 45 & 46)	3349
	Gun Assy. (Items 21 thru 31+ 34 & 35) (800H)	2756
	Electrode Assy. (Items 29, 30 & 35)	12575



# BARD EQUIPMENT LIMITED WARRANTY

## WARRANTY PROVISIONS

Bard Manufacturing Company ("Bard") warrants to the Buyer that the Bard equipment, which is the subject of this Warranty, is free of defects in workmanship and material. If the Buyer finds such a defect during the Warranty Period, the Buyer shall promptly notify Bard of the defect and shall return the defective part to Bard, F.O.B. Bryan, Ohio, or such other place as the parties may mutually agree upon. Bard, at its option, will repair or replace the defective part and return it to the Buyer, F.O.B. Bryan, Ohio. The Buyer shall be responsible for all labor, service charges, and transportation charges incidental to the removal and replacement of the defective part. The warranty period for any repaired part or replacement part is limited to the unexpired portion of the original Warranty Period as herein provided.

The foregoing is the EXCLUSIVE and SOLE WARRANTY to the equipment covered hereby, and it is IN LIEU OF ALL OTHER WARRANTIES WHETHER WRITTEN, ORAL OR IMPLIED, INCLUDING BUT NOT LIMITED TO WARRANTIES OF MERCHANTABILITY AND WARRANTIES FOR FITNESS FOR ANY PARTICULAR PURPOSE. In no event shall Bard be liable for consequential or special damages.

## PERIOD OF WARRANTY - BASIC

The basic Warranty Period is one year from the date of original installation.

## PERIOD OF WARRANTY - EXTENDED

For certain parts, the Warranty Period exceeds one year. The parts and the Warranty Period for them are as follows:

1. Motor Compressor Unit - five (5) years from the date of original installation.
2. Steel Heat Exchangers -
  - (a) All gas-fired Hi-Boy, Counterflow, Horizontals, and Wall-Air units - ten (10) years prorated from the date of original installation.
  - (b) All gas-fired Lo-Boy furnaces - twenty (20) years prorated from the date of original installation.

(c) All oil units except "S" series, Horizontal - twenty (20) years prorated from the date of original installation.

(d) All "S" series, Horizontal oil units - ten (10) years prorated from the date of original installation.

After the first year, Bard will furnish a replacement heat exchanger at a prorated charge to the buyer of one-tenth (1/10) or one-twentieth (1/20) (as may be appropriate) of the current list price of such heat exchanger for each full year from the date of original installation.

## GENERAL CONDITIONS

1. This Warranty covers defects in workmanship and materials. It does not apply if the defect does not result from workmanship or materials but results from such things as: misuse of equipment; improper installation; negligence; accident in transit; operation of equipment contrary to limitations stated on rating plate, etc.; alteration; improper repair; and operation and maintenance contrary to Bard's printed instructions.
2. Bard shall not be liable for any default or delay in performance under this Warranty, caused by any contingency beyond its control, including but not limited to war, insurrection, government restrictions or restraint, strikes, floods, or a short or reduced supply of materials.
3. The warranty registration card attached hereto or to this unit must be returned to Bard within thirty (30) days of the date this unit is originally installed by or for the Buyer, and if such warranty registration card is not returned to Bard within such thirty (30) day period, then Bard will determine the original installation date which determination shall be binding upon the Buyer for the purposes of this Warranty.
4. This Warranty is transferable by the Buyer to a purchaser of the equipment covered by the Warranty, but the Buyer or such purchaser must give Bard written notice thereof no later than thirty (30) days after such purchase. If such written notice is not given to Bard, this Warranty is not transferable.

**BARD MANUFACTURING COMPANY**  
BRYAN, OHIO 43506