



1983 Parts List

Pink Pages

SPLIT SYSTEM CONDENSING UNITS

18ECQ2 24ECQ2 30ECQ2 31ECQ 36ECQ4 36ECQ4-3 37ECQ 42ECQ1 42ECQ1-3 48ECQ2
48ECQ2-3 60ECQ1 60ECQ1-3 ---1

WALL MOUNT AND PACKAGED A/C UNITS

20WA1 24WA2 ---2

30WA2 36WA4 36WA4-3 ---3

42WA 42WA-3 49WA 49WA-3 ---4

P24A2 ---5

P31A P36A4 P36A4-3 ---6

P48A4 P48A4-3 P60A4 P60A4-3 ---7

MU30A MU36C MU42D ---8

RPMA30 RPMA30-3 RPMA36 RPMA36-3 ---9-10

WALL MOUNT AND PACKAGED HEAT PUMPS

18WH2 24WH2 ---14

30WH1 36WH2 36WH2-3 ---15-16

48WH4 48WH4-3 ---17

PH24-1 ---18

PH31-1 PH36-2 PH36-2-3 ---19-20

PH42 PH42-3 PH48-2 PH48-2-3 PH60-4 PH60-4-3 ---21-22

MH30A MH36A MH42A ---23

RPMH30 RPMH30-3 RPMH36 RPMH36-3 ---24-25

WPV30 WPVD30 WPV36 WPVD36 ---26

WPV53 WPVD53 WPV62 WPVD62 ---27

HWP30 HWP30-3 HWP36 HWP36-3 ---28



1983 Parts List

Pink Pages

SPLIT SYSTEMS HEAT PUMPS

18HPQ2 24HPQ2 30HPQ4 36HPQ4 36HPQ4-3 42HPQ 42HPQ-3 48HPQ2 48HPQ2-3 60HPQ4
60HPQ4-3 ---11-12

WQS30 WQSD30 WQS36 WQSD36 ---13

SPLIT SYSTEM BLOWER COILS

B18EHQ1 B24EHQ1 B30EHQ B36EHQ1 BC48A BC60A ---29-30

ELECTRIC FURNACES

EFC10-1 EFC10-1-B EFC15-1 EFC20-1 EFC25-1 EFC30-1 ---31

GAS FURNACES

G101 G125A G152 ---32

G101E G125AE G152E EG125A ---33

H60DA H80DA H80D36A H105A H105DA H105D48A H120A H120D48A H140A H140D48A H160A
H160D48A H200A H60DB H80DB H80D36B H105B H105DB H105D48B H120B H120D48B ---34

EH60DA EH80DA EH80D36A EH105A EH105DA EH105D48A EH120A EH120D48A EH140A
EH140D48A EH160A EH160D48A EH200A EH60DB EH80DB EH80D36B EH105B EH105DB
EH105D48B EH120B EH120D48B ---35

C60DA C80DA C80D36A C105A C105D42A C120A C120D42A C140A C140D48A C160A
C160D48A ---36

EC60DA EC80DA EC80D36A EC105A EC105D42A EC120A EC120D48A EC140A EC140D48A
EC160A EC160D48A ---37

IH60D36A IH85D48A IH115D48A IH60D36B IH85D48B IH115D48B ---38

HG75D4 HG100D4 HG120D4 HG140D4 HG160D2 ---39

HG75D4E HG100D4E HG120D4E HG140D4E HG160D2E ---40-41

OIL FURNACES

F81 F97 NB120 C1 C2 F86CF F100CF F86H F120H F120L ---42-43

S0175 S0230 S0350 SO175 SO230 SO350 ---44-45

MSR ---46



1983 Parts List

Pink Pages

OIL FURNACES

Continued

OEA ---47

WP20 WP40 ---48

AIR CLEANERS

EC14 EC20 ---49



PARTS LIST

**Air Conditioners
Heat Pumps
Furnaces
(Gas - Oil - Electric)
Blower Coils
Air Cleaners**

EFFECTIVE 9/15/83

IMPORTANT

Retain obsolete parts lists for reference purposes. It is essential to use complete model number and matching parts list to help assure the correct part is shipped.

BARD MANUFACTURING CO.

P. O. BOX 607

BRYAN, OHIO 43506

419-836-1194

PARTS LIST
SPLIT SYSTEM CONDENSING UNITS

Effective 2-11
Supersedes 9-1-

PART NO.	DESCRIPTION	18ECQ2	24ECQ2	30ECQ2	31ECQ	36ECQ4	36ECQ4-3	37ECQ	42ECQ1	42ECQ1-3	48ECQ2	48ECQ2-3	60ECQ1	60ECQ1-3	36ECQ4-3 460V	42ECQ1-3 460V	48ECQ2-3 460V
* 8552-044	Capacitor 15/10-370V	x															
8552-027	Capacitor 25/370V				x			x									
8552-007	Capacitor 20/15-370V		x	x													
8552-030	Capacitor 40/440V								x								
8552-036	Capacitor 70/370V										x						
8552-031	Capacitor 45/440V												x				
8552-026	Capacitor 15/370V								x	x	x	x	x	x		x	x
8552-033	Capacitor 20/370V				x												
8552-035	Capacitor 40/370V							x									
8552-002	Capacitor 5/370V	x	x	x	x	x	x	x									
* 8000-051	Compressor RES3-0175-PFV	x															
* 8000-071	Compressor AB225HT		x														
8000-006	Compressor AH152GT			x													
8000-050	Compressor H2EA253AB				x												
8000-008	Compressor AH301FT					x											
8000-051	Compressor H2EA363AB							x									
8000-009	Compressor AH302RT						x										
8000-063	Compressor CRK1-0325-PFV								x								
8000-064	Compressor CRK1-0325-TF5									x							
8000-067	Compressor AG112ET										x						
8000-030	Compressor AG111RT											x					
8000-027	Compressor AG122ET												x				
8000-031	Compressor AG122RT													x			
8000-010	Compressor AH302TT														x		
8000-065	Compressor CRK1-0325-TFD															x	
8000-047	Compressor AG111UT																x
8000-048	Compressor AG122UT																x
5051-011	Condenser Coil	x															
5051-013	Condenser Coil		x														
5051-001	Condenser Coil			x		x	x	x							x		
5051-023	Condenser Coil				x			x									
5051-009	Condenser Coil								x	x	x	x				x	x
5051-024	Condenser Coil												x	x			x
8401-007	Contacto - Comp.25A	x	x	x	x			x									
8401-003	Contacto - Comp.30A					x			x		x						
8401-002	Contacto - Comp.25A						x			x		x		x	x	x	x
8401-016	Contacto - Comp.35A												x				
8605-001	Crankcase Heater						x										
8605-002	Crankcase Heater														x		
5151-001	Fan Blade TF1839	x	x														
5151-007	Fan Blade TP2029			x	x	x	x	x							x		
5151-017	Fan Blade FA2430-4B								x	x	x	x	x	x		x	x
8103-008	Motor - Fan 1/5 hp	x	x														
8103-009	Motor - Fan 1/5 hp			x	x	x	x	x							x		
8105-021	Motor - Fan 1/3 hp								x	x	x	x	x	x		x	x
8200-001	Motor Mount - Fan	x	x	x	x	x	x	x							x		
8200-004	Motor Mount - Fan								x	x	x	x	x	x		x	x
8607-002	Terminal Block 230V														x		
8407-003	Transformer-Stepdown														x	x	x
7051-010	Wire Grille - Inlet	x	x														
7051-009	Condenser-Grille	x	x														
7051-003	Wire Grille - Inlet			x	x	x	x	x							x		
7051-001	Condenser Grille			x	x	x	x	x							x		
7051-004	Wire Grille - Inlet								x	x	x	x	x	x		x	x
7051-005	Condenser Grille								x	x	x	x	x	x		x	x
8552-028	Capacitor 35/440V					x											

*Denotes change

PARTS LIST
SINGLE PACKAGE AIR CONDITIONERS

Effective 6-1-82
Supersedes 2-17-82

PART NO.	DESCRIPTION	20WA1	24WA2
5152-030	Blower Housing 9-7	x	x
5152-028	Blower Wheel 9-7	x	x
5152-029	Blower Wheel 9-7	x	x
* 8552-044	Capacitor 15/10-370V	x	x
8552-002	Capacitor 5/370V	x	x
5811-021	Capillary Tube - Cool	x	
5811-020	Capillary Tube - Cool		x
8000-061	Compressor RES3-0175-PFV-270	x	
8000-062	Compressor AB224FT-014-A4		x
5051-017	Condenser Coil	x	
5051-025	Condenser Coil		x
8401-007	Contactator - Comp. 25A	x	x
8401-006	Contactator - Heater 2P18	x	x
5060-024	Evaporator Coil	x	x
5151-024	Fan Blade A-1831-5	x	x
7004-006	Filter 14x25	x	x
8604-041	Heat Strip 4Kw	x	x
8604-042	Heat Strip 5Kw	x	x
8604-043	Heat Strip 8Kw	x	x
8604-044	Heat Strip 10Kw	x	x
8402-029	Limit Switch 160°	x	x
8102-008	Motor - Blower 1/6 hp	x	x
8103-009	Motor - Fan 1/5 hp	x	x
8552-004	Capacitor 7.5/370V	x	x
8200-023	Motor Mount - Fan	x	x
5210-002	Strainer	x	x
8201-009	Relay - Blower	x	x
8607-006	Terminal Board 24V	x	x
8607-001	Terminal Block 230V	x	x
8402-030	Thermal Cut-off	x	x
8407-007	Transformer 40VA	x	x

*Denotes change.

Minimum Net Billing \$15.00. Supersedes all previous lists.
Subject to change without notice. F.O.B. Bryan, Ohio.

PARTS LIST
SINGLE PACKAGE AIR CONDITIONERS

Effective 1/29/81
Supersedes 1/1/80

PART NO.	DESCRIPTION	30WA2	36WA4	36WA4-3	36WA4-3 460V
5152-030	Blower Housing 9-7	x	x	x	x
5152-028	Blower Wheel 9-7	x	x	x	x
5152-029	Blower Wheel 9-7	x	x	x	x
* 3552-033	Capacitor 20/370V	x			
* 3552-032	Capacitor 35/370V	x			
* 3552-035	Capacitor 40/370V		x		
3552-002	Capacitor 5/370V	x	x	x	x
5811-014	Cap Tube - Cool 37-1/2" x .070	(2)			
5811-033	Cap Tube - Cool 32" x .070		(2)	(2)	(2)
8000-042	Compressor H2EA293AB	x			
8000-055	Compressor CRH1-0275-PFV-270		x		
9000-056	Compressor CRH1-0275-TF5-270			x	
9000-057	Compressor CRH1-0275-TFD-270				x
5051-020	Condenser Coil	x			
5051-023	Condenser Coil		x	x	x
8401-007	Contactator - Comp. 1P25A	x	x		
8401-002	Contactator - Comp. 3P25A			x	x
8401-006	Contactator - Heater 2P18A	x	x	x	
5060-023	Evaporator Coil	x	x	x	x
5151-025	Fan Blade F10H08-2027 cw	x	x	x	x
7004-008	Filter 15 x 30-5/8	x	x	x	x
8614-006	Fuse - Heater 30A	x	x		
8614-022	Fuse - Compressor 60A	x	x		
8614-017	Fuse Block 15Kw	x	x		
8604-042	Heat Strip 5Kw	x	x		
8604-049	Heat Strip 6Kw			x	
8604-044	Heat Strip 10Kw	x	x		
8604-048	Heat Strip 9Kw			x	
8604-046	Heat Strip 12Kw			x	
8604-047	Heat Strip 15Kw	x	x	x	
8604-050	Heat Strip 9Kw				x
8604-051	Heat Strip 12Kw				x
8604-052	Heat Strip 15Kw				x
8402-031	Limit Switch L155-2.5	x	x	x	x
8105-019	Motor - Blower 1/3 hp	x	x	x	
8105-015	Motor - Blower 1/3 hp				x
8105-020	Motor - Fan 1/3 hp	x	x	x	
8105-016	Motor - Fan 1/3 hp				x
8200-001	Motor Mount - Fan	x	x	x	x
8201-009	Relay - Blower	x	x	x	
8201-032	Relay - Blower				x
5210-004	Strainer	x	x	x	x
8607-006	Terminal Board 24V	x	x	x	x
8607-001	Terminal Block 230V	x	x		
8607-002	Terminal Block			x	x
8402-032	Thermal Cut-off	x	x	x	x
8407-007	Transformer	x	x		
8407-015	Transformer			x	
8407-027	Transformer				x
8552-003	Capacitor 6/370V	x	x		
8552-001	Capacitor 4/370V			x	x

Minimum Net Billing \$15.00. Supersedes all previous lists.

Subject to change without notice. F.O.B. Bryan, Ohio

*Denotes Change

PARTS LIST
SINGLE PACKAGE AIR CONDITIONERS

Effective
Supersedes 9-1

PART NO.	DESCRIPTION	42WA	42WA-3	49WA	49WA-3	42WA-3 460V	49WA- 460V
*	Blower Housing	x	x	x	x	x	x
5152-011	Blower Wheel DD10-8A	x	x	x	x	x	x
5152-012	Blower Wheel DD10-8A	x	x	x	x	x	x
8552-028	Capacitor - Comp. 35/440V	x					
8552-005	Capacitor - Blower	x	x	x	x	x	x
8552-026	Capacitor - Fan	x	x	x	x	x	x
8552-030	Capacitor - Comp. 40/440V			x			
5811-021	Capillary Tube - Cool	(2)	(2)			(2)	
5811-020	Capillary Tube - Cool			(2)	(2)		(2)
8000-058	Compressor CRJ1-0300-PFV-270	x					
8000-059	Compressor CRJ1-0300-TF5-270		x				
8000-063	Compressor CRK1-0325-PFV-270			x			
8000-064	Compressor CRK1-0325-TF5-270				x		
8000-060	Compressor CRJ1-0300-TFD-270					x	
8000-065	Compressor CRK1-0325-TFD-270						x
5051-027	Condenser Coil	x	x			x	
5051-028	Condenser Coil			x	x		x
8401-007	Contactoer - Comp. 25A	x					
8401-002	Contactoer - 25A		x		x	x	x
8401-006	Contactoer - Heater 24V	x	x	x	x		
8401-003	Contactoer - Comp. 30A			x			
5060-025	Evaporator Coil	x	x	x	x	x	
* 5151-027	Fan Blade B2430-4 ccw	x	x	x	x	x	
7004-016	Filter 20x30	x	x	x	x	x	
8614-017	Fuse Block 15Kw	x		x			
8614-018	Fuse Block 20Kw	x		x			
8614-022	Fuse 60A	x		x			
8614-006	Fuse 30A	x		x			
8614-007	Fuse 60A	x		x			
8604-042	Heat Strip 5Kw	x		x			
8604-044	Heat Strip 10Kw	x		x			
8604-047	Heat Strip 15Kw	x	x	x	x		
8604-048	Heat Strip 9Kw		x		x		
8604-046	Heat Strip 12Kw		x		x		
8604-050	Heat Strip 9Kw					x	x
8604-051	Heat Strip 12Kw					x	x
8402-024	Limit Switch L180-4	x	x	x	x	x	x
8106-014	Motor - Blower 1/2 hp	x	x	x	x	x	x
8105-021	Motor - Fan 1/3 hp	x	x	x	x	x	x
8201-009	Relay - Blower	x	x	x	x		
8201-008	Relay - Blower Heat/Cool					x	x
8200-004	Motor Mount - Fan	x	x	x	x	x	x
5210-005	Strainer	x	x	x	x	x	x
8607-005	Terminal Board 24V	x	x	x	x	x	x
8607-001	Terminal Block 230V	x		x		x	x
8607-002	Terminal Block 230V		x		x	x	x
8402-032	Thermal Cuf-off	x	x	x	x	x	x
8407-007	Transformer 40VA	x		x			
8407-015	Transformer 55VA		x		x	x	
8407-004	Transformer - Stepdown					x	

* Please order by model number.
* *Denotes Change.

PARTS LIST

3de.

SINGLE PACKAGE AIR CONDITIONERS

Effective 8-1-82
Supersedes 10-15-81

PART NO.	DESCRIPTION	P24A2
5152-020	Blower Housing S1110-6AT	x
5152-009	Blower Wheel FE-1024-519 ccw	x
* 8552-007	Capacitor 20/15 370V	x
8552-005	Capacitor 10/370V	x
5811-008	Capillary Tube - Cool	(2)
8000-071	Compressor AB225HT-Q15-A4	x
5051-025	Condenser Coil	x
7051-009	Condenser Grille	x
8401-007	Contactoer 1P25A	x
8401-006	Contactoer - Heat 2P18A	x
5060-027	Evaporator Coil	x
5151-024	Fan Blade A-1831-5 ccw	x
8604-042	Heat Strip 5Kw	x
8604-044	Heat Strip 10Kw	x
8402-015	Limit Switch 130°	x
8106-014	Motor - Fan 1/2 hp	x
8201-009	Relay - Blower	x
5210-004	Strainer 3/8 x 2 cap	x
8607-006	Terminal Board 24V	x
8607-001	Terminal Block 230V	x
8402-026	Thermal Cut-off	x
8407-007	Transformer 40VA	x
7051-006	Wire Grille - Inlet	(2)

Minimum Net Billing \$15.00. Supersedes all previous lists.
Subject to change without notice. F.O.B. Bryan, Ohio.

*Denotes change

PARTS LIST
SINGLE PACKAGE AIR CONDITIONERS

Effective 1-1-61
Supersedes

PART NO.	DESCRIPTION	P31A	P36A4	P36A4-3	P36A-460V
* 5152-013	Blower Housing	x	x	x	x
5152-010	Blower Wheel DD10-8A		x	x	x
**	Blower Wheel DD10-7A	x			
8552-007	Capacitor - Comp. 20/15-370V	x			
8552-035	Capacitor - Comp 40/370V		x		
8552-027	Capacitor - Comp 25/370V		x		
8552-002	Capacitor - Fan & Blower 5/370V	x	x	x	x
5811-014	Capillary Tube - Cool	(2)			
5811-033	Capillary Tube - Cool		(2)	(2)	(2)
8000-070	Compressor AB233HT-015-A4	x			
8000-051	Compressor H2EA363AB		x		
8000-056	Compressor CRH1-0275-TF5-270			x	
8000-057	Compressor CRH1-0275-TFD-270				x
5051-001	Condenser Coil	x			
5051-023	Condenser Coil		x	x	x
8401-007	Contactator - Comp. 1P25A	x	x		
8401-002	Contactator - Comp. 3P25A			x	x
8401-006	Contactator - Heater 2P20	x	x	x	
5060-023	Evaporator Coil	x	x	x	x
5151-004	Fan Blade TP2026 ccw	x	x	x	
5151-025	Fan Blade F10H08-2027 cw				x
8614-017	Fuse Block 15Kw	x	x		
8614-022	Fuse 60A	x	x		
8614-006	Fuse 30A	x	x		
8604-042	Heat Strip 5Kw	x	x		
8604-044	Heat Strip 10Kw	x	x		
8604-047	Heat Strip 15Kw	x	x	x	
8604-048	Heat Strip 9Kw			x	
8604-046	Heat Strip 12Kw			x	
8604-050	Heat Strip 9Kw				x
8604-052	Heat Strip 15Kw				x
8402-012	Limit Switch 130°	x	x	x	x
8105-020	Motor- Blower 1/3 hp ccw	x	x	x	
8105-018	Motor- Blower 1/3 hp ccw				x
8103-009	Motor- Fan 1/5 hp ccw	x	x	x	
8105-016	Motor- Fan 1/3 hp ccw				x
8200-003	Motor Mount - Blower	x	x	x	x
3200-001	Motor Mount - Fan	x	x	x	x
5451-011	Motor Mounting Parts	x	x	x	x
8201-009	Relay - Blower	x	x	x	
8201-032	Relay - Blower				x
5210-004	Strainer	x	x	x	x
8607-006	Terminal Board 24V	x	x	x	x
8607-001	Terminal Block 230V	x	x		
8607-002	Terminal Block 230V			x	x
8402-026	Thermal Cutoff	x	x	x	x
8407-007	Transformer 40VA	x	x		
8407-015	Transformer 55VA			x	
8407-027	Transformer 48VA				x
7051-015	Wire Grille - Inlet	(2)	(2)	(2)	(2)
7051-001	Condenser Grille	x	x	x	

*Please order by model number.

**Denotes change

Minimum Net Billing \$15.00. Supersedes all previous lists. Subject to change without notice. F.O.B. Bryan, Ohio 43506.

PARTS LIST
SINGLE PACKAGE AIR CONDITIONERS

Effective 10-27
Supersedes 4-15

PART NO.	DESCRIPTION	P48A4	P48A4-3	P60A4	P60A4-3	P48A4-3 460V	P60A4- 460V
*	Blower Housing 10-10	x	x	x	x	x	x
5152-015	Blower Wheel DD10-10A	x	x	x	x	x	x
8552-030	Capacitor 40/440V	x					
8552-005	Capacitor 10/370V	x	x	x	x	x	x
8552-026	Capacitor 15/370V	x	x			x	
8552-031	Capacitor 45/440V			x			
8552-004	Capacitor 7-1/2/370V			x	x		x
5811-020	Capillary Tube - Cool	(2)	(2)			(2)	
5811-032	Capillary Tube - Cool			(2)	(2)		(2)
8000-063	Compressor CRK1-0325-PFV	x					
8000-064	Compressor CRK1-0325-TF5		x				
8000-065	Compressor CRK1-0325-TFD					x	
8000-027	Compressor AG122ET			x			
8000-031	Compressor AG122RT				x		
8000-048	Compressor AG122UT						x
5051-028	Condenser Coil	x	x	x	x	x	x
8401-007	Contacto 1P25A	x					
* 8401-002	Contacto 30D0-30		x			x	x
8401-006	Contacto - Heat 24V	x	x	x	x		
8401-016	Contacto 1P35A			x			
5060-025	Evaporator Coil	x	x	x	x	x	x
5151-027	Fan Blade F12H9.5-2430 ccw	x	x			x	
5151-026	Fan Blade F12H9.5-2425 ccw			x	x		x
8614-017	Fuse Block	x		x			
8614-018	Fuse Block	x		x			
8614-022	Fuse 60A	x		x			
8614-006	Fuse 30A	x		x			
8614-007	Fuse 60A	x		x			
8604-048	Heat Strip 9Kw		x		x		
8604-046	Heat Strip 12Kw		x		x		
8604-047	Heat Strip 15Kw	x	x	x	x		
8604-044	Heat Strip 10Kw	x		x			
8604-050	Heat Strip 9Kw					x	x
8604-051	Heat Strip 12Kw					x	x
8604-052	Heat Strip 15Kw					x	x
8402-012	Limit Switch 130°	x	x	x	x	x	x
8106-015	Motor - Blower 1/2 hp	x	x	x	x	x	x
8105-021	Motor - Fan 1/3 hp	x	x			x	
8106-016	Motor - Fan 1/2 hp			x	x		x
5451-011	Motor Mtg. Parts	x	x	x	x	x	x
8200-004	Motor Mount - Fan	x	x	x	x	x	x
8200-003	Motor Mount - Blower	x	x	x	x	x	x
8201-009	Relay - Blower	x	x	x	x		
8201-008	Relay - Blower					x	x
5210-005	Strainer	x	x	x	x	x	x
8607-006	Terminal Board 24V	x	x	x	x	x	x
8607-001	Terminal Block 230V	x		x		x	x
8607-002	Terminal Block 230V		x		x	x	x
8402-025	Thermal Cut-off	x	x	x	x	x	x
8407-015	Transformer 55VA	x	x	x	x	x	x
8407-004	Transformer-Stepdown					x	x
7051-007	Wire Grille - Inlet	(2)	(2)	(2)	(2)	(2)	(2)
7051-005	Condenser Grille	x	x	x	x	x	x
8401-011	Contacto 30E0-30				x		

Minimum Net Billing \$15.00. Supersedes all previous lists.

Subject to change without notice. F.O.B. Bryan, Ohio

*Please order by model number.

**Denotes change.

PARTS LIST
SINGLE PACKAGE AIR CONDITIONERS

6-1-83
Supersedes 4-28-83

PART NO.	DESCRIPTION	MU30A	MU36C	MU42D
*	Blower Housing 10-8	x	x	x
5152-013	Blower Wheel DD10-8A	x	x	x
8552-007	Capacitor 20/15-370V	x		
8552-035	Capacitor 40/370V		x	
8552-030	Capacitor 40/440V			x
8552-002	Capacitor 5/370V	x	x	x
5811-031	Capillary Tube - Cool	(3)	(4)	(4)
8000-070	Compressor AB233HT	x		
8000-055	Compressor CRH1-0275		x	
8000-063	Compressor CRK1-0325			x
5051-032	Condenser Coil	x	x	x
8401-007	Contactoer 1P25A	x	x	x
5060-015	Evaporator Coil	x		
5060-033	Evaporator Coil		x	
5060-030	Evaporator Coil			x
5151-028	Fan Blade Y10H9.5-2028	x	x	x
7051-014	Fan Guard	x	x	x
8105-024	Motor - Blower 1/3 hp	x	x	x
8105-023	Motor - Fan 1/3	x	x	x
8200-003	Motor Mount - Blower	x	x	x
8200-022	Motor Mount - Fan	x	x	x
5451-011	Motor Mounting Parts	x	x	x
5451-009	Motor Mounting Parts	x	x	x
5153-022	Rain Shield	x	x	x
5210-006	Strainer		x	x
5210-003	Strainer	x		
8607-001	Terminal Block	x	x	x
8607-006	Terminal Board	x	x	x
8407-007	Transformer 40VA	x	x	x
7051-016	Wire Grille	x	x	x
**	8201-008 Relay - Blower	x	x	x

*Please order by model number.

**Denotes change

Minimum net billing \$15.00. Supersedes all previous lists.
Subject to change without notice. F.O. B. Bryan, Ohio.

PARTS LIST
SINGLE PACKAGE AIR CONDITIONERS

Effective Date 12-9-81
Supersedes 10-15-81

PART NO.	DESCRIPTION	RPMA30	RPMA30-3	RPMA36	RPMA36-3	RPMA30-3 460V	RPMA36-3 460V
* 5152-005	Blower Housing	x	x	x	x	x	x
5152-005	Blower Wheel DD9-8A	x	x			x	
5152-010	Blower Wheel DD10-7A			x	x		x
8552-032	Capacitor-Comp. 35/370V	x					
8552-033	Capacitor-Comp. 20/370V	x		x			
8552-019	Capacitor - Blower 5/440V	x	x	x	x	x	x
8552-002	Capacitor - Fan 5/370V	x	x	x	x	x	x
8552-035	Capacitor - Comp. 40/370V			x			
5811-031	Capillary Tube	(3)	(3)			(3)	
5811-017	Capillary Tube			(2)	(2)		(2)
8000-042	Compressor 700411-06-0265	x					
8000-053	Compressor CRG1-0250-TF5-270		x				
8000-054	Compressor CRG1-0250-TFD-270					x	
8000-055	Compressor CRH1-0275-PFV-270			x			
8000-056	Compressor CRH1-0275-TF5-270				x		
8000-057	Compressor CRH1-0275-TFD-270						x
5051-023	Condenser Coil	x	x	x	x	x	x
8401-007	ContactoR 1P25A	x		x			
8401-002	ContactoR 3P25A		x		x	x	x
** 8401-006	ContactoR (Heat)	x	x	x	x		
5060-012	Evaporator Coil	x	x			x	
5060-022	Evaporator Coil			x	x		x
5151-024	Fan Blade A-1831-5 ccw	x	x	x	x	x	x
7051-014	Fan Guard	x	x	x	x	x	x
8614-017	Fuse Block	x		x			
8614-018	Fuse Block	x		x			
8614-006	Fuse OT30	x		x			
8614-007	Fuse OT60	x		x			
8614-022	Fuse TR60	x		x			
8604-023	Heat Strip 5Kw	x		x			
8604-024	Heat Strip 10Kw	x		x			
8604-025	Heat Strip 15Kw	x	x	x	x		
8604-064	Heat Strip 6Kw		x		x		
8604-035	Heat Strip 9Kw		x		x		
8604-036	Heat Strip 12Kw		x		x		
8604-065	Heat Strip 6Kw					x	x
8604-032	Heat Strip 9Kw					x	x
8604-033	Heat Strip 12Kw					x	x
8402-020	Limit Switch 135°-120°	x	x	x	x	x	x
** 8105-010	Motor - Blower 1/3 hp	x	x	x	x	x	x
** 8103-007	Motor - Fan 1/5 hp	x	x	x	x	x	x

*Please order by model number . **Denotes change.

PARTS LIST
SINGLE PACKAGE AIR CONDITIONERS

Effective
Supersedes

PART NO.	DESCRIPTION	RPM30	RPM30-3	RPM36	RPM36-3	RPM30-3 460V	RPM36-3 460V
8200-003	Motor Mount - Blower	x	x	x	x	x	x
8200-022	Motor Mount - Fan	x	x	x	x	x	x
5451-009	Motor Mounting Parts - Fan	x	x	x	x	x	x
5451-011	Motor Mounting Parts	x	x	x	x	x	x
5153-022	Rain Shield	x	x	x	x	x	x
* 8201-009	Relay - Blower	x	x	x	x	x	x
5210-003	Strainer	x	x			x	
5210-004	Strainer			x	x		x
8607-006	Terminal Board	x	x	x	x	x	x
8607-001	Terminal Block	x		x			
8607-002	Terminal Block		x		x	x	x
* 8402-030	Thermal Cutoff	x	x	x	x	x	x
8407-007	Transformer 40VA	x		x			
* 8407-015	Transformer 55VA		x		x	x	x
* 8407-003	Transformer 1.5 KVA					x	x
7004-015	Filter 24x24x1	x	x	x	x	x	
8604-034	Heat Strip 15Kw					x	

*0enotes change

Minimum Net Billing \$15.00. Supersedes all previous lists.
Subject to change without notice. F.O.B. Bryan, Ohio.

PARTS LIST
SPLIT SYSTEM HEAT PUMPS

Effective 4-27
Supersedes 8-1

PART NO.	DESCRIPTION	18HPQ2	24HPQ2	30HPQ4	36HPQ4	36HPQ4-3	42HPQ	42HPQ-3	48HPQ2	48HPQ2-3	60HPQ4	60HPQ4-3	36HPQ-3 460v	42HPQ-3 460v	48HPQ2-3 460v	60HPQ4-3
5202-001	Accumulator	x														
5202-003	Accumulator		x	x												
5202-004	Accumulator				x	x							x			
5202-007	Accumulator						x	x	x	x				x	x	
5202-005	Accumulator										x	x				
8552-002	Capacitor 5/370V	x	x	x	x	x							x			
8552-007	Capacitor 20/15-370V		x													
8552-027	Capacitor 25/370V	x														
8552-030	Capacitor 40/440V				x											
8552-032	Capacitor 35/370V						x									
8552-033	Capacitor 20/370V						x									
8552-031	Capacitor 45/440V							x			x					
9552-026	Capacitor 15/370V						x	x	x	x	x	x		x	x	x
9552-035	Capacitor 40/370V			x												
8552-043	Capacitor 45/370V										x					
5811-007	Capillary Tube - Heat	x														
5811-021	Capillary Tube - Heat		x													
5811-020	Capillary Tube - Heat			x												
5811-023	Capillary Tube - Heat				x	x							x			
5811-018	Capillary Tube - Heat						2	2	2	2				2	2	2
5811-025	Capillary Tube - Heat										2	2				
5651-036	Check Valve	x	x	x	x	x	x	x	x	x	x	x	x	x	x	x
8000-061	Compressor RES3-0175-PFV-270	x														
8000-071	Compressor AB225HT		x													
8000-052	Compressor CRG1-0250-PFV-270			x												
8000-072	Compressor AV144ET				x											
8000-064	Compressor CRK1-0325-TF5					x										
8000-045	Compressor H2EA413AB						x									
8000-046	Compressor H2EA413DB							x								
8000-026	Compressor AG5546E								x							
8000-030	Compressor AG111RT									x						
8000-074	Compressor AG134ET										x					
8000-075	Compressor AG134RT											x				
8000-065	Compressor CRK1-0325-TFD												x			
8000-010	Compressor AH302TT													x		
8000-047	Compressor AG111UT														x	
8000-049	Compressor AG133UT															x
5051-008	Condenser Coil	x	x													
5051-003	Condenser Coil			x	x	x							x			
5051-021	Condenser Coil						x	x	x	x				x	x	
5051-029	Condenser Coil										x	x				x
8401-007	Contactator - Comp. 25A	x	x	x												
8401-003	Contactator - Comp. 30A				x		x		x							
8401-002	Contactator - Comp. 25A					x		x		x			x	x	x	x
8401-011	Contactator - Comp. 30A											x				

PARTS LIST
SPLIT SYSTEM HEAT PUMPS

Effectiv
Supersedes

PART NO.	DESCRIPTION	Effectiv Supersedes														
		18HPQ2	24HPQ2	30HPQ4	36HPQ4	36HPQ4-3	42HPQ	42HPQ-3	48HPQ2	48HPQ2-3	60HPQ4	60HPQ4-3	36HPQ-3 460v	42HPQ-3 460v	48HPQ2-3 460v	60HPQ4-3
8401-016	Contactator - Comp. 35A															x
8605-001	Crankcase Heater								x							
8408-004	Defrost Mounting Plate	x	x	x	x	x	x	x	x	x	x	x	x	x	x	
8408-002	Defrost Thermostat	x	x	x	x	x	x	x	x	x	x	x	x	x	x	
5151-001	Fan Blade TF1839	x	x													
5151-007	Fan Blade TP2029			x	x	x							x			
5151-017	Fan Blade FA2430-4B						x	x	x	x	x			x	x	
7051-009	Grille - Condenser	x	x													
7051-010	Wire Grille - Inlet	x	x													
7051-001	Grille - Condenser			x	x	x								x		
7051-003	Wire Grille - Inlet			x	x	x								x		
7051-005	Grille - Condenser						x	x	x	x	x			x	x	
7051-004	Wire Grille - Inlet						x	x	x	x	x			x	x	
8406-010	High Pressure Switch	x	x	x	x	x							x			
8406-011	High Pressure Switch						x	x	x	x	x			x	x	
8103-008	Motor - Fan 1/5	x	x													
8103-009	Motor - Fan 1/5			x	x	x							x			
8105-021	Motor - Fan 1/3						x	x	x	x	x			x	x	
8200-001	Motor Mount - Fan	x	x	x	x	x							x			
8200-004	Motor Mount - Fan						x	x	x	x	x			x		
5220-008	Muffler - Discharge			x	x	x							x			
8201-023	Relay - Defrost	x	x	x	x	x	x	x	x	x	x	x	x	x	x	
8201-015	Relay - Emergency Heat	x	x	x	x	x							x			
8201-024	Relay - Compressor Fault	x	x	x	x		x		x		x					
5650-004	Reversing Valve	x														
5650-005	Reversing Valve		x													
5650-009	Reversing Valve			x												
5650-006	Reversing Valve				x	x	x	x					x			
5650-010	Reversing Valve								x	x	x	x		x	x	
5650-008	Solenoid Coil	x	x	x	x	x	x	x	x	x	x	x	x	x	x	
5210-002	Strainer	x	x	x	x	x							x			
5210-005	Strainer						x	x	x	x	x			x	x	
8607-007	Terminal Block												x	x	x	
8607-011	Terminal Board	x	x	x	x	x	x	x	x	x	x	x	x	x	x	
* 8612-011	Timer	x	x	x	x	x	x	x	x	x	x	x	x	x	x	
8407-003	Transformer - Stepdown												x	x	x	

Minimum Net Billing \$15.00. Supersedes all previous lists.
Subject to change without notice. F.O.B. Bryan, Ohio

PARTS LIST
WATER SOURCE
SPLIT HEAT PUMPS

Effective 4-27-83
Supersedes 9-1-82

PART NO.	DESCRIPTION	WQS30	WQSD30	WQS36	WQSD36
8552-007	Capacitor - Compressor 20/15-370V	x	x		
8552-035	Capacitor - Compressor 40/370V			x	x
5811-033	Capillary Tube - Heating	(2)	(2)		
* 5811-017	Capillary Tube - Heating			(2)	(2)
5651-036	Check Valve	x	x	x	x
8000-071	Compressor AB225HT-015-A4	x	x		
8000-052	Compressor CRG1-0250-PFV-270			x	x
5052-001	Condenser Coil	x	x		
5052-002	Condenser Coil			x	x
8401-007	Contactora - Compressor	x	x	x	x
5052-005	Desuperheater Coil VB-1/3		x		x
8406-016	High Pressure Switch	x	x	x	x
8406-015	Low Pressure Switch	x	x	x	x
8201-038	Relay - Staging and Changeover	(2)	(2)	(2)	(2)
8201-037	Relay - Lockout	x	x	x	x
5650-005	Reversing Valve	x	x		
5650-009	Reversing Valve			x	x
5650-008	Reversing Valve Solenoid	x	x	x	x
5210-004	Strainer - Heating	x	x	x	x
8607-011	Terminal Board - 24V	x	x	x	x
8300-001	Water Pump 230V		x		x
8408-007	Water Pump Thermostat		x		x
5202-009	Accumulator	x	x	x	x
5650-011	Solenoid Valve GS300		x		x

Minimum Net Billing \$15.00. Supersedes all previous lists.
Subject to change without notice. F.O.B. Bryan, Ohio.

*Denotes change

PARTS LIST
SINGLE PACKAGE HEAT PUMPS

Effective 10-1-82
Supersedes 6-1-82

PART NO.	DESCRIPTION	18WH2	24WH2
5202-001	Accumulator	x	
5202-003	Accumulator		x
5152-030	Blower Housing 9-7	x	x
5152-028	Blower Wheel 9-7	x	x
5152-029	Blower Wheel 9-7	x	x
8552-044	Capacitor 15/10-370V	x	x
8552-002	Capacitor 5/370V	x	x
5811-017	Capillary Tube - Cool	x	
5811-018	Capillary Tube - Heat	x	
5811-021	Capillary Tube - Cool & Heat		(2)
5651-036	Check Valve	x	x
8000-061	Compressor RES3-0175-PFV-270	x	
8000-062	Compressor AB224FT-014-A4		x
5051-008	Condenser Coil	x	
5051-026	Condenser Coil		x
8401-007	Contacto-Compressor 25A	x	x
8401-006	Contacto- Heater 2P18	x	x
8408-004	Defrost Mounting Plate	x	x
8408-002	Defrost Thermostat	x	x
5060-005	Evaporator Coil	x	
5060-024	Evaporator Coil		x
5151-024	Fan Blade A-1831-5 ccw	x	x
7004-006	Filter 14x25	x	x
8604-041	Heat Strip 4Kw	x	x
8604-043	Heat Strip 8Kw	x	x
8406-011	High Pressure Switch	x	x
8402-029	Limit Switch 160°	x	x
8102-008	Motor - Blower 1/6 hp	x	x
8103-009	Motor - Fan 1/5 hp	x	x
8201-009	Relay - Blower	x	x
8201-023	Relay - Defrost	x	x
8201-024	Relay - Compressor Fault	x	x
8201-013	Relay - Emergency Heat	x	x
5650-004	Reversing Valve	x	
5650-009	Reversing Valve		x
5650-008	Solenoid Coil	x	x
5210-002	Strainer	(2)	(2)
8607-010	Terminal Board	x	x
8607-001	Terminal Block 230V	x	x
8607-003	Terminal Block 230V	x	x
8402-030	Thermal Cut-off	x	x
8612-011	Timer	x	x
8407-015	Transformer	x	x
8552-004	Capacitor 7.5/370V	x	x
* 8200-023	Motor Mount - Fan	x	x

Minimum Net Billing \$15.00. Supersedes all previous lists.
Subject to change without notice. F.O.B. Bryan, Ohio.

*Denotes change

PARTS LIST
SINGLE PACKAGE HEAT PUMPS

Effective 4-20-82
Supersedes 1/29/81

PART NO.	DESCRIPTION	30WH1	36WH2	36WH2-3	36WH2-3 460V
5202-003	Accumulator	x			
5202-004	Accumulator		x	x	x
5152-030	Blower Housing 9-7	x	x	x	x
5152-028	Blower Wheel 9-7	x	x	x	x
5152-029	Blower Wheel 9-7	x	x	x	x
8552-032	Capacitor 35/370V	x			
8552-033	Capacitor 20/370V	x			
8552-028	Capacitor 35/440V		x		
8552-002	Capacitor 5/370V	x	x	x	x
5811-014	Cap Tube - Cool 37-1/2 x .070	(2)			
5811-020	Cap Tube - Heat 26 x .080	x			
5811-033	Cap Tube - Cool 32 x .070		(2)	(2)	(2)
5811-019	Cap Tube - Heat 18-1/2 x .080		x	x	x
* 5651-036	Check Valve	x	x	x	x
8000-042	Compressor H2EA293AB	x			
3000-058	Compressor CRJ1-0300-PFV-270		x		
3000-059	Compressor CRJ1-0300-TF5-270			x	
3000-060	Compressor CRJ1-0300-TFD-270				x
5051-003	Condenser Coil	x	x	x	x
8401-007	Contactator - Comp. 1P25A	x	x		
8401-002	Contactator - Comp. 3P25A			x	x
8401-006	Contactator - Heater 2P20	x	x	x	
8408-004	Defrost Mounting Plate	x	x	x	x
8408-002	Defrost Thermostat	x	x	x	x
5060-023	Evaporator Coil	x	x	x	x
5151-025	Fan Blade F10H08-2027 cw	x	x	x	x
7004-008	Filter 15 x 30-5/8 x 1	x	x	x	x
8614-018	Fuse Block 15Kw	x	x		
8614-022	Fuse 60A	x	x		
8614-007	Fuse 60A	x	x		
8604-042	Heat Strip 5Kw	x	x		
8604-044	Heat Strip 10Kw	x	x		
8604-047	Heat Strip 15Kw	x	x		
8604-049	Heat Strip 6Kw			x	
8604-048	Heat Strip 9Kw			x	
8604-050	Heat Strip 9Kw				x
8604-060	Heat Strip 6Kw				x
8406-010	High Pressure Switch	x	x	x	x
8402-031	Limit Switch 155°	x	x	x	x
8552-003	Capacitor 6/370V	x	x	x	
8552-001	Capacitor 4/370V				x
8201-033	Relay - Defrost				x

*Denotes change.

PARTS LIST
SINGLE PACKAGE HEAT PUMPS

Effective
Supersedes 1/2:

PART NO.	DESCRIPTION	30WH1	36WH2	36WH2-3	36WH2-3 460V
8105-019	Motor - Blower 1/3 hp	x	x	x	
8105-015	Motor - Blower 1/3 hp				x
8105-020	Motor - Fan 1/3 hp	x	x	x	
8105-016	Motor - Fan 1/3 hp				x
8200-001	Motor Mount - Fan	x	x	x	x
8201-009	Relay - Blower	x	x	x	
8201-032	Relay - Blower				x
8201-031	Relay - Compressor Fault	x			
8201-023	Relay - Defrost	x	x	x	
8201-013	Relay - Emergency Heat	x	x	x	x
5650-005	Reversing Valve	x			
5650-006	Reversing Valve		x	x	x
5650-008	Solenoid Coil	x	x	x	x
5210-004	Strainer	x	x	x	x
5210-002	Strainer	x	x	x	x
8607-010	Terminal Board 24V	x	x	x	x
* 8607-001	Terminal Block 230V	x	x		
8607-003	Terminal Block 230V	x	x		
8607-002	Terminal Block 230V			x	x
8402-032	Thermal Cut-off	x	x	x	x
8612-011	Timer	x	x	x	
8407-015	Transformer	x	x	x	
8407-028	Transformer - Stepdown				x
8201-024	Relay - Compressor Fault		x		

Minimum Net Billing \$15.00. Supersedes all previous lists.
Subject to change without notice. F.O.B. Bryan, Ohio

*Denotes change

PARTS LIST
SINGLE PACKAGE HEAT PUMPS

10-3-83
Supersedes 4-20-82

PART NO.	DESCRIPTION	48WH4	48WH4-3	48WH4-3 460V
5202-005	Accumulator	x	x	x
5152-026	Blower Housing 10-8	x	x	x
5152-011	Blower Wheel DD10-8A	x	x	x
5152-012	Blower Wheel DD10-8A	x	x	x
* 8552-030	Capacitor 40/440V	x		
8552-026	Capacitor 15/370V	x	x	x
8552-005	Capacitor 10/370V	x	x	x
5811-026	Capillary Tube - Heat	(2)	(2)	(2)
5811-021	Capillary Tube - Cool	(2)	(2)	(2)
5651-036	Check Valve	x	x	x
* 8000-081	Compressor AV168ET	x		
* 8000-082	Compressor AV169RT		x	
* 8000-083	Compressor AV169TT			x
5051-029	Condenser Coil	x	x	x
8401-003	Contactator - Comp. 30A	x		
8401-002	Contactator - Comp. 25A		x	x
8401-006	Contactator - Heater 20A	x	x	
8408-004	Defrost Mounting Plate	x	x	x
8408-002	Defrost Thermostat	x	x	x
5060-025	Evaporator Coil	x	x	x
5151-027	Fan Blade F12H9.5-2430	x	x	x
7004-016	Filter 20 x 30	x	x	x
8614-007	Fuse - Heater 60A	x		
8614-022	Fuse - Compressor 60A	x		
8614-006	Fuse - 30A	x		
8614-014	Fuse Block 25Kw	x		
8614-019	Fuse Block 30Kw	x		
8604-044	Heat Strip 10Kw	x		
8604-048	Heat Strip 9Kw		x	
8604-046	Heat Strip 12Kw		x	
8604-047	Heat Strip 15Kw	x	x	
8604-050	Heat Strip 9Kw			x
8604-051	Heat Strip 12Kw			x
8604-052	Heat Strip 15Kw			x
8406-010	High Pressure Switch	x	x	x
8402-024	Limit Switch L180-4	x	x	x
8106-014	Motor - Blower 1/2 hp	x	x	x
8105-021	Motor - Fan 1/3 hp	x	x	x
8200-004	Motor Mount Fan	x	x	x
8201-008	Relay - Blower	x	x	x
8201-024	Relay - Compressor Fault	x		
8201-023	Relay - Defrost	x	x	x
8201-013	Relay - Emergency Heat	x	x	x
5650-006	Reversing Valve	x	x	x
5650-008	Solenoid Coil	x	x	x
5210-005	Strainer	(2)	(2)	(2)
8607-010	Terminal Board 24V	x	x	x
8607-001	Terminal Block 230V	x		x
8607-002	Terminal Block 230V		x	x
8607-003	Terminal Block 230V	x		
8402-032	Thermal Cutoff	x	x	x
8612-011	Timer	x	x	x
8407-015	Transformer	x	x	x
8407-004	Transformer - Steardown			x
8401-010	Contactator - 2P30A (12-15Kw)		x	

Minimum net billing \$15.00. Supersedes all previous lists.
Subject to change without notice. F.O.B. Bryan, Ohio.

*0notes change

PARTS LIST

SINGLE PACKAGE HEAT PUMP

Effective 8-1-82
Supersedes: 4-15-82

PART NO.	DESCRIPTION	PH24-1
5202-003	Accumulator	x
5152-020	Blower Housing S1110-6AT	x
5152-009	Blower Wheel FE-1024-519 ccw	x
* 8552-007	Capacitor - Comp. 20/15 - 370V	x
8552-005	Capacitor - Blower 10/370V	x
5811-012	Cap Tube - Cool	(2)
5811-012	Cap Tube - Heat	(3)
5651-036	Check Valve	x
5051-030	Condenser Coil	x
8000-071	Compressor AB225HT-015-A4	x
8401-006	Contactator 2P18A	x
8401-006	Contactator - Heat 24V - 2P18	x
8408-004	Defrost Mounting Plate	x
8408-006	Defrost Thermostat	x
5060-027	Evaporator Coil	x
5151-024	Fan Blade A-1831-5	x
7051-009	Grille - Condenser	x
7051-006	Grille - Inlet	(2)
8604-042	Heat Strip 240V 5Kw	x
8604-044	Heat Strip 240V 10Kw	x
8406-010	High Pressure Switch	x
8402-015	Limit Switch L130-2.0	x
8106-014	Fan Motor 1/2 hp	x
8201-009	Relay - Blower SPDT	x
8201-031	Relay - Compressor Fault	x
8201-023	Relay - Defrost	x
8201-013	Relay - Emergency Heat	x
8201-011	Relay - Interlock	x
5650-009	Reversing Valve	x
5650-008	Reversing Valve Solenoid Coil 24V	x
5210-004	Strainer 3/8 x 2 cap	x
5210-003	Strainer 3/8 x 3 cap	x
8607-010	Terminal Board	x
8607-001	Terminal Block 0Kw, 5Kw	x
8607-003	Terminal Block 10Kw	x
8402-026	Thermal Cutoff	x
8612-011	Timer 30/60 Min. w/7 Min. time safe override	x
8407-015	Transformer 55VA	x

Minimum Net Billing \$15.00. Supersedes all previous lists.
Subject to change without notice. F.O.B. Bryan, Ohio.

*Denotes change.

PARTS LIST
SINGLE PACKAGE HEAT PUMPS

Effective 4/15/82
Supersedes 9/12/81

PART NO.	DESCRIPTION	PH31-1	PH36-2	PH36-2 3-Ph	PH36-2 460V 3-Ph
5202-003	Accumulator	x			
5202-004	Accumulator		x	x	x
*	Blower Housing 10-8	x	x	x	x
5152-013	Blower Wheel DD10-8A	x	x	x	x
8552-032	Capacitor - Comp. 35/370V	x			
8552-033	Capacitor - Comp. 20/370V	x			
8552-002	Capacitor - Fan & Blower 5/370V	x	x	x	x
8552-035	Capacitor - Comp. 40/370V		x		
8552-027	Capacitor - Comp. 25/370V		x		
5811-014	Capillary Tube - Cool	(2)			
5811-020	Capillary Tube - Heat	x			
5811-033	Capillary Tube - Cool		(2)	(2)	(2)
5811-019	Capillary Tube - Heat		x	x	x
* 5651-036	Check Valve	x	x	x	x
5051-003	Condenser Coil	x	x	x	x
8000-042	Compressor H2EA293AB	x			
8000-051	Compressor H2EA363AB		x		
8000-059	Compressor CRJ1-0300-TF5-270			x	
8000-060	Compressor CRJ1-0300-TFD-270				x
8401-007	Contactator - Compressor 1P25A	x	x		
8401-006	Contactator - Heater 2P20	x	x	x	
8401-002	Contactator - Compressor			x	x
8401-010	Contactator - Heater 2P30			x	
8408-004	Defrost Mounting Plate	x	x	x	x
8408-002	Defrost Thermostat	x	x	x	x
5060-023	Evaporator Coil	x	x	x	x
5151-004	Fan Blade TP2026 cw	x	x	x	
5151-025	Fan Blade L10H08-2027 cw				x
8614-013	Fuse Block 15Kw	x	x		
8614-022	Fuse 60A (Comp.)	x	x		
8614-007	Fuse 60A (Heater)	x	x		
8604-042	Heat Strip 5Kw	x	x		
8604-044	Heat Strip 10Kw	x	x		
8604-047	Heat Strip 15Kw	x	x	x	
8604-048	Heat Strip 9Kw			x	
8604-046	Heat Strip 12Kw			x	
8604-050	Heat Strip 9Kw				x
8604-051	Heat Strip 12Kw				x
8604-052	Heat Strip 15Kw				x
8604-010	Hi Pressure Switch	x	x	x	x
8402-012	Limit Switch 130°	x	x	x	x
8105-020	Motor - Blower 1/3 hp ccw	x	x	x	
8103-009	Motor - Fan 1/5 hp	x	x	x	
8105-016	Motor - Fan 1/3 hp				(2)

*Please order by model number.

**Denotes change.

PARTS LIST
SINGLE PACKAGE HEAT PUMPS

Effective
Supersedes 1/1

PART NO.	DESCRIPTION	PH31-1	PH36-2	PH36-2 3-Ph	PH36-2 460V 3-Ph
8200-003	Motor Mount - Blower	x	x	x	x
8200-001	Motor Mount - Fan	x	x	x	x
5451-011	Motor Mounting Parts	x	x	x	x
8201-009	Relay - Blower	x	x	x	
8201-032	Relay - Blower				x
8201-023	Relay - Defrost	x	x	x	
8201-033	Relay - Defrost				x
5650-005	Reversing Valve	x			
5650-006	Reversing Valve		x	x	x
5650-008	Solenoid Coil	x	x	x	x
5210-004	Strainer	x	x	x	x
5210-002	Strainer	x	x	x	x
8607-010	Terminal Board 24V	x	x	x	x
8607-001	Terminal Block 230V	x	x		
8607-003	Terminal Block 230V	x	x		
8607-002	Terminal Block 230V			x	x
8402-026	Thermal Cut-off	x	x	x	x
* 8612-011	Timer	x	x	x	x
8407-015	Transformer	x	x	x	x
8407-028	Transformer - Stepdown				x
8201-031	Relay - Compressor Fault	x	x		
8201-013	Relay - Emergency Heat	x	x	x	x
7051-001	Condenser Grille	x	x	x	x
7051-015	Wire Grille - Inlet	(2)	(2)	(2)	(2)

Minimum Net Billing \$15.00. Supersedes all previous lists.
Subject to change without notice. F.O.B. Bryan, Ohio

*Denotes change

PARTS LIST
SINGLE PACKAGE HEAT PUMPS

Effective 4 15-83
Supersedes 2-17-82

PART NO.	DESCRIPTION	PH42	PH42-3	PH48-2	PH48-2-3	PH60-4	PH60-4-3	PH42-3 460V	PH48-2-3 460V	PH60-4-3
5202-005	Accumulator	x	x	x	x			x	x	
5202-008	Accumulator					x	x			x
*	Blower Housing	x	x	x	x	x	x	x	x	x
5152-045	Blower Wheel 10-9	x	x					x		
5152-015	Blower Wheel DD10-10A			x	x	x	x		x	x
8552-030	Capacitor - Comp. 40/440V	x								
8552-005	Capacitor - Blower 10/370V	x	x	x	x	x	x	x	x	x
8552-026	Capacitor - Fan 15/370V	x	x	x	x			x	x	
8552-036	Capacitor - Comp. 70/370V			x						
8552-004	Capacitor - Fan 7½/370V					x	x			x
5811-016	Capillary Tube - Cool	(2)	(2)					(2)		
5811-019	Capillary Tube - Heat	(2)	(2)					(2)		
5811-020	Capillary Tube - Cool			(2)	(2)				(2)	
5811-023	Capillary Tube - Heat			(2)	(2)				(2)	
5811-027	Capillary Tube - Cool					(2)	(2)			(2)
5811-032	Capillary Tube - Heat					(2)	(2)			(2)
5651-036	Check Valve	x	x	x	x	x	x	x	x	x
5051-029	Condenser Coil	x	x	x	x	x	x	x	x	x
8000-063	Compressor CRK1-0325-PFV-270	x								
8000-064	Compressor CRK1-0325-TF5-270		x							
8000-065	Compressor CRK1-0325-TFD-270							x		
8000-067	Compressor AG112ET-001-A4			x						
8000-030	Compressor AG111RT-004-A4				x					
8000-047	Compressor AG111UT-004-A4								x	
8000-074	Compressor AG134ET-002-A4					x				
8000-075	Compressor AG134RT-002-A4						x			
8000-049	Compressor AG133UT-003-A4									x
8401-007	Contactator R8242A1008	x								
*	8401-002 Contactator 3000-30		x		x			x	x	x
8401-006	Contactator R8242B1006	x	x	x	x	x	x			
8401-003	Contactator R8243A1007			x						
8401-016	Contactator R8243A1189					x				
8408-004	Defrost Mounting Plate	x	x	x	x	x	x	x	x	x
8408-002	Defrost Thermostat	x	x	x	x	x	x	x	x	x
5060-025	Evaporator Coil	x	x	x	x	x	x	x	x	x
5151-027	Fan Blade F12H9.5-2430 ccw	x	x	x	x			x	x	
5151-026	Fan Blade F12H9.5-2425x1/2 ccw					x	x			x
8614-014	Fuse Block 15Kw	x		x		x				
8614-019	Fuse Block 20Kw			x		x				
8614-022	Fuse TR60	x		x		x				
8614-007	Fuse 60A	x		x		x				
8614-006	Fuse 30A	x		x		x				
8604-044	Heat Strip 10Kw	x		x		x				
8604-047	Heat Strip 15Kw	x	x	x	x	x	x			
8604-048	Heat Strip 9Kw		x		x		x			
8401-010	Contactator R8243B1005 (12-15kw)		x		x		x			
8552-043	Capacitor - Compressor					x				

*Please order by model number.

PARTS LIST

Effective 1-15-83
Supersedes

SINGLE PACKAGE HEAT PUMPS

PART NO.	DESCRIPTION	PH42	PH42-3	PH48-2	PH48-2-3	PH60-4	PH60-4-3	PH42-3 460V	PH48-2-3 460V	PH60-4-3 460V
8604-046	Heat Strip 12Kw		x		x		x			
8604-050	Heat Strip 9Kw							x	x	x
8604-052	Heat Strip 15Kw							x	x	x
8406-010	High Pressure Switch	x	x	x	x	x	x	x	x	x
8402-012	Limit Switch 130°	x	x	x	x	x	x	x	x	x
8106-015	Motor - Blower 1/2 hp	x	x	x	x	x	x	x	x	x
8105-021	Motor - Fan 1/3 hp	x	x	x	x			x	x	
8106-016	Motor - Fan 1/2 hp					x	x			x
8200-003	Motor Mount - Blower	x	x	x	x	x	x	x	x	x
8200-004	Motor Mount - Fan	x	x	x	x	x	x	x	x	x
5451-011	Motor Mounting Parts	x	x	x	x	x	x	x	x	x
8201-008	Relay - Blower	x	x	x	x	x	x	x	x	x
8201-024	Relay - Compressor Fault	x		x		x				
8201-023	Relay - Defrost	x	x	x	x	x	x	x	x	x
8201-013	Relay - Emergency Heat	x	x	x	x	x	x	x	x	x
5650-006	Reversing Valve	x	x	x	x			x	x	
5650-010	Reversing Valve					x	x			x
5650-008	Reversing Valve Solenoid Coil	x	x	x	x	x	x	x	x	x
8201-024	Compressor Fault Relay					x				
5210-005	Strainer	(2)	(2)	(2)	(2)	(2)	(2)	(2)	(2)	(2)
8607-010	Terminal Board	x	x	x	x	x	x	x	x	x
8607-001	Terminal Block	x		x		x		x	x	x
8607-003	Terminal Block	x		x		x				
8607-002	Terminal Block		x		x		x	x	x	x
8402-025	Thermal Cut-off	x	x	x	x	x	x	x	x	x
8612-011	Timer 30/60 Min	x	x	x	x	x	x	x	x	x
8407-015	Transformer	x	x	x	x	x	x	x	x	x
8407-004	Transformer - Stepdown							x	x	x
7051-005	Condenser Grille	x	x	x	x	x	x	x	x	x
7051-007	Wire Grille - Inlet	(2)	(2)	(2)	(2)	(2)	(2)	(2)	(2)	(2)
* 8401-011	Contactator 30E0-30						x			

Minimum Net Billing \$15.00. Supersedes all previous lists.
Subject to change without notice. F.O.B. Bryan, Ohio 43506.

PARTS LIST
SINGLE PACKAGE HEAT PUMPS

7-6 -83
Supersedes: 6-21-83

PART NO.	DESCRIPTION	MH30A	MH36A	MH42A
5202-003	Accumulator	x		
5202-004	Accumulator		x	
5202-005	Accumulator			x
*	Blower Housing 10-8	x	x	x
5152-013	Blower Wheel DD10-8A	x	x	x
8552-007	Capacitor 20/15-370V	x		
8552-028	Capacitor 35/440V		x	
8552-030	Capacitor 40/440V			x
8552-002	Capacitor 5/370V	(2)	(2)	(2)
5811-008	Capillary Tube - Heat	(2)		(2)
5811-033	Capillary Tube - Heat		(2)	
5811-001	Capillary Tube - Cool	(4)	(4)	
5811-012	Capillary Tube - Cool			(4)
5651-036	Check Valve	x	x	x
5051-033	Condenser Coil	x	x	
5051-031	Condenser Coil			x
8000-080	Compressor AB233FT	x		
8000-058	Compressor CRJ1-0300		x	
8000-081	Compressor AVI68ET			x
8401-007	Contactator R8242A1008	x	x	
8408-004	Defrost Mounting Plate	x	x	x
8408-002	Defrost Thermostat	x	x	x
5060-030	Evaporator Coil	x		x
5060-033	Evaporator Coil		x	
5151-028	Fan Blade Y10H9.5-2028	x	x	x
7051-014	Fan Guard	x	x	x
8406-011	High Pressure Switch	x	x	x
8105-024	Motor - Blower 1/3 hp	x	x	x
8105-023	Motor - Fan 1/3 hp	x	x	x
8200-003	Motor Mount - Blower	x	x	x
8200-022	Motor Mount - Fan	x	x	x
5451-009	Motor Mounting Parts	x	x	x
5451-011	Motor Mounting Parts	x	x	x
8201-008	Relay - Blower	x	x	x
8201-023	Relay - Defrost	x	x	x
8201-013	Relay - Emergency Heat	x	x	x
5650-005	Reversing Valve	x		
5650-009	Reversing Valve		x	
5650-006	Reversing Valve			x
5650-008	Solenoid Coil	x	x	x
5210-006	Strainer	x	x	x
5210-004	Strainer	x	x	x
8607-001	Terminal Block	x	x	x
8607-010	Terminal Board	x	x	x
8612-011	Timer	x	x	x
8407-015	Transformer	x	x	x
7051-016	Wire Grille	x	x	x
5153-022	Rain Shield	x	x	x
* 8401-003	Contactator 1P30A			x

Minimum billing \$15.00. Supersedes all previous lists. Subject to change without notice. F.O.B. Bryan, Ohio 43506

*Please order by model number.

PARTS LIST
SINGLE PACKAGE HEAT PUMPS

Effective 4/71
Supersedes 12/9/

PART NO.	DESCRIPTION	RPM130	RPM130-3	RPM136	RPM136-3	RPM130-3 1160V	RPM136-3 1160V
5202-003	Accumulator	x	x	x			
5202-004	Accumulator				x	x	x
*	Blower Housing 10-8	x	x	x	x	x	x
5152-010	Blower Wheel DD10-7A	x	x	x	x	x	x
8552-035	Capacitor 40/370V	x		x			
8552-019	Capacitor 5/440V	x	x	x	x	x	x
8552-002	Capacitor 5/370V	x	x	x	x	x	x
5811-033	Capillary Tube - Cool	(2)	(2)	(2)	(2)	(2)	(2)
5811-026	Capillary Tube - Heat	x	x	x	x	x	x
8000-052	Compressor CRG1-0250-PFV-270	x					
8000-053	Compressor CRG1-0250-TF5-270		x				
8000-054	Compressor CRG1-0250-TFD-270					x	
8000-055	Compressor CRH1-0275-PFV-270			x			
8000-056	Compressor CRH1-0275-TF5-270				x		
8000-057	Compressor CRH1-0275-TFD-270						x
8401-007	Contactator 1P25A	x		x			
8401-002	Contactator 3P25A		x		x	x	
8401-006	Contactator 2P20	x	x	x	x		
8408-004	Defrost Mounting Plate	x	x	x	x	x	x
8408-002	Defrost Thermostat	x	x	x	x	x	x
5060-022	Evaporator Coil	x	x	x	x	x	x
5151-024	Fan Blade A-1831-5	x	x	x	x	x	x
7051-014	Fan Guard	x	x	x	x	x	x
8614-006	Fuse OT30	x		x			
8614-007	Fuse OT60	x		x			
8614-022	Fuse TR60	x		x			
8614-017	Fuse Block	x		x			
8614-018	Fuse Block	x		x			
8604-023	Heat Strip 5Kw	x		x			
8604-024	Heat Strip 10Kw	x		x			
8604-025	Heat Strip 15Kw	x		x			
8604-035	Heat Strip 9Kw		x		x		
8604-036	Heat Strip 12Kw		x		x		
8604-032	Heat Strip 9Kw					x	x
8604-033	Heat Strip 12Kw					x	x
8406-011	Hi Pressure Switch	x	x	x	x	x	x
8402-020	Limit Switch 140°-125°	x	x	x	x	x	x
8105-010	Blower Motor 1/3 hp	x	x	x	x	x	x
8103-007	Fan Motor 1/5 hp	x	x	x	x	x	x
8200-003	Motor Mount - Blower	x	x	x	x	x	x
8200-022	Motor Mount - Fan	x	x	x	x	x	x
5451-011	Motor Mounting Parts	x	x	x	x	x	x
5451-009	Motor Mounting Parts -Fan	x	x	x	x	x	x
* 5651-036	Check Valve	x	x	x	x	x	x
5051-003	Condenser Coil	x	x	x	x	x	x

*Please order by model number.

**Denotes change.

PARTS LIST
SINGLE PACKAGE HEAT PUMPS

Effective 12-9-81
Supersedes 1-29-81

PART NO.	DESCRIPTION	RPMH30	RPMH30-3	RPMH36	RPMH36-3	RPMH30-3 460V	RPMH36-3 460V
* 5153-022	Rain Shield	X	X	X	X	X	X
* 8201-009	Relay - Blower	X	X	X	X	X	X
* 8201-013	Relay - Emergency Heat	X	X	X	X	X	X
* 8201-023	Relay - Defrost	X	X	X	X	X	X
8201-031	Relay - Compressor Fault	X		X			
5650-005	Reversing Valve	X	X			X	
5650-006	Reversing Valve			X	X		X
5650-008	Solenoid Coil	X	X	X	X	X	X
5210-004	Strainer	X	X	X	X	X	X
5210-002	Strainer	X	X	X	X	X	X
3607-010	Terminal Board	X	X	X	X	X	X
8607-001	Terminal Block	X		X			
8607-002	Terminal Block		X		X	X	X
* 9402-030	Thermal Cutoff	X	X	X	X	X	X
* 8612-011	Timer w/7 Min. Time Safe	X	X	X	X	X	X
* 8407-015	Transformer	X	X	X	X	X	X
* 8407-003	Transformer - Stepdown 1.5 KVA					X	X
8604-064	Heat Strip - 6Kw		X		X		
8604-065	Heat Strip 6Kw					X	X

*Denotes change

Minimum Net Billing \$15.00. Supersedes all previous lists.
Subject to change without notice. F.O.B. Bryan, Ohio

PARTS LIST
WATER SOURCE
PACKAGE HEAT PUMPS

Effective 8-1-82
Supersedes 6-4-82

PART NO.	DESCRIPTION	WPV30	WPVD30	WPV36	WPVD36
5152-046	Blower Assembly	x	x	x	x
8552-035	Capacitor 40 MFD - 370V 2" Round			x	x
* 8552-007	Capacitor 20/15 MFD - 370V 2" Oval	x	x		
8552-002	Capacitor - Blower 5MFD 370V	x	x	x	x
5811-034	Capillary Tube - Heating	(2)	(2)		
5811-016	Capillary Tube - Heating			(2)	(2)
5811-012	Capillary Tube - Cooling	(3)	(3)		
5811-014	Capillary Tube - Cooling			(3)	(3)
5651-036	Check Valve	x	x	x	x
8000-071	Compressor AB225HT-015-A4	x	x		
8000-052	Compressor CRG1-0250-PFV-270			x	x
5052-001	Condenser Coil	x	x		
5052-002	Condenser Coil			x	x
8401-007	Contactator - Compressor	x	x	x	x
5052-005	Desuperheater Coil		x		x
5060-012	Evaporator Coil	x	x	x	x
7004-017	Filter 22 x-22 x 1	x	x	x	x
8406-016	High Pressure Switch	x	x	x	x
8406-015	Low Pressure Switch	x	x	x	
8105-010	Motor - Blower 1/3 hp	x	x	x	
8200-003	Motor Mount	x	x	x	x
5451-011	Motor Mounting Parts	x	x	x	x
8201-008	Relay - Blower	x	x	x	x
8201-034	Relay - Lockout	x	x	x	x
5650-005	Reversing Valve	x	x		
5650-009	Reversing Valve			x	x
5650-008	Reversing Valve Solenoid	x	x	x	x
5210-003	Strainer-Cooling	x	x	x	x
5210-004	Strainer-Heating	x	x	x	x
8607-011	Terminal Board 24V	x	x	x	x
8407-015	Transformer	x	x	x	x
8300-001	Water Pump		x		x
8408-007	Water Pump Thermostat		x		x
8201-015	Emergency Heat Relay	x	x	x	x
5650-011	Solenoid Valve GS300		x		x
OPTIONAL ITEMS:					
8604-067	Duct Heater 4.8Kw	x	x	x	x
8604-068	Duct Heater 9.6Kw	x	x	x	x
8604-069	Duct Heater 15.0Kw	x	x	x	x
8604-070	Duct Heater 19.2Kw	x	x	x	x
8603-005	Gauge Adapter	x	x	x	x
8603-001	Regulating Valve-Cooling	x	x	x	x
8603-002	Regulating Valve-Heating	x	x	x	x
5810-006	Tee - 1/4 inch flare w/valve depressor	x	x	x	x
8603-003	Test Plug	x	x	x	

Minimum Net Billing \$15.00. Supersedes all previous lists. *Denotes change
Subject to change without notice. F.O.B. Bryan, Ohio.

PARTS LIST
WATER SOURCE
PACKAGE HEAT PUMPS

3-15-8
Supersedes 10-4-8

PART NO.	DESCRIPTION	WPV53	WPV053	WPV62	WPV06
5202-004	Accumulator	x	x		
*	Blower Housing 10-7	x	x	x	x
5152-010	Blower Wheel DD10-7A	x	x	x	x
8552-030	Capacitor - Comp. 40MFD-440V 2½"Round	x	x		
8552-036	Capacitor - Comp. 70MFD-370V 2½"Round			x	x
8552-004	Capacitor - Blower 7.5 MFD 370V, 1½" Oval	x	x	x	x
5811-017	Capillary Tube - Cooling	(3)	(3)		
5811-034	Capillary Tube - Heating	(3)	(3)		
**	5811-027			(6)	(6)
5651-036	Check Valve	x	x	x	x
8000-072	Compressor AV144ET-001-A4	x	x		
8000-068	Compressor AG123ET-002-A4			x	x
5052-006	Condenser Coil - Cupro Nickel	x	x		
5052-007	Condenser Coil - Cupro Nickel			x	x
8401-007	Contactator - Compressor	x	x		
8401-003	Contactator - Compressor			x	x
5052-005	Desuperheater Coil		x		x
5060-029	Evaporator Coil	x	x	x	x
5202-007	Accumulator			x	x
7004-018	Filter 1 x 25 x 25	x	x	x	x
8406-016	High Pressure Switch	x	x	x	x
8406-015	Low Pressure Switch	x	x	x	x
8106-017	Motor - Blower 1/2 hp	x	x	x	x
8200-003	Motor Mount	x	x	x	x
5451-011	Motor Mounting Parts	x	x	x	x
8201-008	Relay - Blower	x	x	x	x
8201-015	Relay - Emergency Heat	x	x	x	x
8201-034	Relay - Impedance	x	x	x	x
5650-006	Reversing Valve	x	x	x	x
5650-008	Reversing Valve	x	x	x	x
5650-011	Solenoid Valve		x		x
5210-009	Strainer	(2)	(2)	(2)	(2)
8607-011	Terminal Block	x	x	x	x
8406-020	Toggle Switch		x		x
8407-015	Transformer	x	x	x	x
8300-001	Water Pump		x		x
8408-007	Water Pump T-Stat		x		x
OPTIONAL ITEMS:					
8604-067	Duct Heater 4.8 Kw	x	x	x	x
8604-068	Duct Heater 9.6 Kw	x	x	x	x
8604-069	Duct Heater 15.0 Kw	x	x	x	x
8604-070	Duct Heater 19.2 Kw	x	x	x	x
8603-005	Gauge Adapter	x	x	x	x
8603-001	Regulating Valve - Cooling	x	x	x	x
8603-002	Regulating Valve - Heating	x	x	x	x
5810-006	Tee - 1/4 inch flare w/valve.depressor	x	x	x	x
8603-003	Test Plug	x	x	x	x

*Please order by model number.
**Denotes change.

**PARTS LIST
PACKAGED HORIZONTAL
WATER SOURCE HEAT PUMPS**

9-13-83

PART NO.	DESCRIPTION	HWP30	HWPD30	HWP36	HWPD36
900-050	Blower Assembly Complete	x	x	x	x
5152-047	Blower Wheel DD10-6	x	x	x	x
8552-007	Capacitor -Comp. 20/15 - 370V	x	x		
8552-035	Capacitor-Comp. 40/370V			x	x
8552-025	Capacitor - Blower 7.5/440V	x	x	x	x
8000-071	Compressor AB225HT	x	x		
8000-052	Compressor CRC1-0250			x	x
5052-001	Condenser Coil	x	x		
5052-001	Condenser Coil			x	x
8401-007	Contacto - Compressor	x	x	x	x
5052-004	Desuperheater Coil		x		x
5060-034	Evaporator Coil	x	x	x	x
8406-016	High Pressure Switch	x	x	x	x
8406-015	Low Pressure Switch	x	x	x	x
8105-022	Motor - Blower 1/3 PSC	x	x	x	x
8200-003	Motor Mount	x	x	x	x
8201-008	Relay - Blower	x	x	x	x
8201-015	Relay - Emergency Heat	x	x	x	x
8201-034	Relay - Lockout	x	x	x	x
5650-009	Reversing Valve			x	x
5650-008	Reversing Valve	x	x	x	x
5650-005	Reversing Valve	x	x		
5650-011	Solenoid Valve		x		x
5210-010	Strainer	(2)	(2)	(2)	(2)
8607-011	Terminal Block	x	x	x	x
5651-041	Thermostat Expansion Valve	x	x	x	x
8300-001	Water Pump		x		x
8408-007	Water Pump Thermostat		x		x
8406-020	Toggle Switch		x		x
8407-015	Transformer 55VA	x	x	x	x
OPTIONAL ITEMS:					
8604-067	Duct Heater 4.8 Kw	x	x	x	x
8604-068	Duct Heater 9.6 Kw	x	x	x	x
8604-069	Duct Heater 15.0 Kw	x	x	x	x
8604-070	Duct Heater 19.2 Kw	x	x	x	x
8603-006	Solenoid Valve	x	x	x	x
8603-010	Constant Flow Valve 4 GPM	x	x		
8603-011	Contant Flow Valve 5 GPM			x	x

Minimum Net Billing \$15.00. Supersedes all previous lists.
Subject to change without notice. F.O.B. Bryan, Ohio.

PARTS LIST
SPLIT SYSTEM BLOWER COILS

Effective 4-27-83
Supersedes 1-1-82

PART NO.	DESCRIPTION	B18EHQ1	B24EHQ1	B30EHQ	B36EHQ1	BC48A	BC60A
*	Blower Housing 10-4	x	x	x			
*	Blower Housing 10-9				x		
*	Blower Housing 10-10					x	x
5152-008	Blower Wheel DD10-4A	x	x	x			
5152-014	Blower Wheel DD10-9A				x		
5152-015	Blower Wheel 10-10					x	x
8552-002	Capacitor 5/370V	x	x	x		x	x
8552-025	Capacitor 7-1/2 - 440V				x		
5811-001	Capillary Tube		(3)				
5811-035	Capillary Tube	(3)					
5811-010	Capillary Tube			(3)	(3)		
5811-009	Capillary Tube					(4)	
5811-002	Capillary Tube						(8)
5651-036	Check Valve	x	x	x	x	x	x
8401-006	Contactator - Heater 20A	x	x	x	x	x	x
8401-010	Contactator - Heat 3-Ph					x	x
8401-001	Contactator - Heat 3-Ph					x	x
5060-016	Evaporator Coil	x					
5060-028	Evaporator Coil		x	x			
5060-012	Evaporator Coil				x		
5060-020	Evaporator Coil					x	
5060-032	Evaporator Coil						x
7004-003	Filter 12x20	x	x	x			
7004-017	Filter 22x22				x		
7004-015	Filter 24x24					x	x
8614-006	Fuse - Heater 30A				x	x	x
8614-007	Fuse - Heater 60A				x	x	x
8614-035	Fuse - Heater 35A 3-Ph					x	x
8614-033	Fuse - Heater 45A 3-Ph					x	x
8614-032	Fuse - Heater 40A 3-Ph					x	x
8614-017	Fuse Block 15Kw				x	x	x
8614-014	Fuse Block 25Kw				x	x	x
8614-019	Fuse Block 30Kw				x	x	x
8614-018	Fuse Block 20Kw				x	x	x
8614-020	Fuse Block 30Kw 3-Ph					x	x
8614-027	Buss Fuseholder				x	x	x
8614-030	Buss Fuse 3A				x	x	x
8604-027	Heat Strip 4Kw	x	x	x			
8604-023	Heat Strip 5Kw	x	x	x			
8604-026	Heat Strip 8Kw	x	x	x			
8604-024	Heat Strip 10Kw	x	x	x	x	x	x
8604-025	Heat Strip 15Kw	x	x	x	x	x	x

*Please order by model number.

PARTS LIST
SPLIT SYSTEM BLOWER COILS

Effective 6-
Supersedes 4-27-

PART NO.	DESCRIPTION	B18EHQ1	B24EHQ1	B30EHQ	B36EHQ1	BC48A	BC60A
8604-035	Heat Strip 9Kw				x	x	x
8604-036	Heat Strip 12Kw				x	x	x
8604-032	Heat Strip 9Kw 460V				x	x	x
8604-033	Heat Strip 12Kw 460V					x	x
8402-029	Limit Switch L160-2.5	x					
8402-028	Limit Switch L150-2.5		x	x			
8402-022	Limit Switch L145-2.5				x		
8402-033	Limit Switch L140-2.5					x	x
8103-012	Motor - Blower 1/5	x	x	x			
8105-022	Motor - Blower 1/3				x		
8106-013	Motor - Blower 1/2					x	x
8200-003	Motor Mount	x	x	x	x	x	x
5451-011	Motor Mounting Parts	x	x	x	x	x	x
8201-009	Relay - Blower	x	x	x	x		
8201-014	Relay - Blower					x	x
8201-013	Relay - Emergency Heat					x	x
8201-045	Relay - Time Delay		x		x	x	x
5210-003	Strainer	x	x	x	x		
5210-006	Strainer					x	
8607-001	Terminal Block 230V	x	x	x	x	x	x
8607-002	Terminal Block 3-Ph				x	x	x
8607-010	Terminal Block	x	x	x	x	x	x
8607-003	Terminal Block 15Kw	x	x	x			
8402-027	Thermal Cut-off	x	x	x			
8402-025	Thermal Cut-off				x	x	x
8407-015	Transformer	x	x	x			
8407-022	Transformer				x	x	x
8407-003	Transformer 9Kw 460V 3-Ph				x	x	x

Minimum Net Billing \$15.00. Supersedes all previous lists.
Subject to change without notice. F.O.B. Bryan, Ohio

*Denotes change.

PARTS LIST
ELECTRIC FURNACES

1-4-83
Supersedes 10-15-81

PART NO.	DESCRIPTION	EFC10-1	EFC10-1-B	EFC15-1	EFC20-1	EFC25-1	EFC30-
*	Blower Housing 10-8	x					
*	Blower Housing 10-7		x	x	x		
*	Blower Housing 10-9					x	x
5152-005	Blower Wheel DD9-8A	x					
5152-010	Blower Wheel DD10-7A		x	x	x		
5152-014	Blower Wheel DD10-9A					x	x
1171-011	Cabinet Latch	(2)	(2)	(2)	(2)	(2)	(2)
8552-001	Capacitor 4/370V		x	x	x		
8552-002	Capacitor 5/370V					x	x
**	8401-006 Contactor	(1)	(1)	(2)	(1)	(3)	(2)
	1171-002 Door Pull	x	x	x	x	x	x
	7004-001 Filter 10x20	(2)					
	7003-001 Filter 10x20 P		(2)	(2)	(2)	(2)	(2)
	8614-007 Fuse 60A			(2)	(4)	(4)	(6)
	8614-006 Fuse 30A			(2)		(2)	
	8614-017 Fuse Block 15Kw			x			
	8614-013 Fuse Block 20Kw				x		
	8614-014 Fuse Block 25Kw					x	
	8614-019 Fuse Block 30Kw						x
	8604-014 Heat Strip 10Kw	x	x		(2)	x	
	9604-015 Heat Strip 15Kw					x	(2)
	8402-015 Limit Switch L130-2.0	(2)	(2)	(3)	(4)	(5)	(6)
	8102-003 Motor 1/6 hp	x					
	8105-012 Motor 1/3 hp		x	x	x		
	8105-010 Motor 1/3 hp					x	x
	8200-003 Motor Mount	x	x	x	x	x	x
	5451-011 Motor Mounting Parts	x	x	x	x	x	x
	8201-014 Relay - Blower	x	x	x	x	x	x
	8607-006 Terminal Board 24V	x	x	x	x	x	x
	8607-001 Terminal Block 230V	x	x				
	8402-018 Thermal Cut-off	(2)	(2)	(3)	(4)	(5)	(6)
**	8407-007 Transformer	x	x	x			
**	8407-015 Transformer				x	x	x
**	8401-002 Contactor				(1)		(1)

*Please order by model number.

**Denotes change.

Minimum Net Billing \$15.00. Supersedes all previous lists.
Subject to change without notice. F.O.B. Bryan, Ohio.

PARTS LIST
LO-BOY GAS FURNACES

Effective
Supersedes 6

PART NO.	DESCRIPTION	G101	G125A	G152
5153-012	Bearings 3/4"	x	x	x
5601-005	Belt 40"	x	x	
5601-001	Belt 36"			x
9010-014	Burner Venturi	x	x	
9010-002	Burner Venturi			x
5153-018	Collar 3/4"	x	x	x
5153-014	Cushion - Bearing	x	x	x
1171-003	Door Handles	x	x	x
1171-002	Door Pull	x	x	x
8402-004	Fan and Limit 8"	x		
8402-002	Fan and Limit 11"		x	x
7004-012	Filter 20x20	x		
7004-013	Filter 20x25		x	
7004-011	Filter 16x25			(2)
5451-001	Grommet - Blower Leg	x	x	x
9041-001	Heat Exchanger	x		
9041-002	Heat Exchanger		x	
9041-003	Heat Exchanger			x
*	Housing - Blower 10-10	x	x	
*	Housing - Blower 12-10			x
8406-013	Micro Switch	x	x	x
8102-001	Motor 1/6 hp	x		
8104-002	Motor 1/4 hp		x	
8105-002	Motor 1/3 hp			x
5153-006	Motor Adj. Kit	x	x	x
8200-016	Motor Mount	x	x	x
9010-006	Orifice Nat. #13 LP #34	x	x	x
8554-002	Pilot Burner - Nat.	x	x	x
5501-012	Pulley - Blower 6 x 3/4	x	x	x
5501-015	Pulley - Motor 3-1/4 x 1/2	x	x	x
1912-001	Shaft - Blower 15-1/4 x 3/4	x	x	x
8554-004	Thermocouple	x	x	x
8407-006	Transformer	x	x	x
5651-034	Valve - Nat 1/2 x 3/4	x	x	x
5153-002	Washer - Neoprene	x	x	x
5152-006	Wheel - Blower 10-10	x	x	
5152-022	Wheel - Blower 11-10			x

*Please order by model number. **Denotes change
Minimum Net Billing \$15.00 Supersedes all previous lists.
Subject to change without notice. F.O.B. Bryan, Ohio

PARTS LIST
ELECTRIC IGNITION
LO-BOY GAS FURNACES

Effective 4-29-33
Supersedes 6-8-32

PART NO.	DESCRIPTION	G101E	EG125A	G152E
5153-012	Bearings 3/4"	x	x	x
5601-005	Belt 40"	x	x	
5601-001	Belt 36"			x
9010-014	Burner Venturi	x	x	
9010-002	Burner Venturi			x
5153-018	Collar 3/4"	x	x	x
5153-014	Cushion - Bearing	x	x	x
1171-003	Door Handles	x	x	x
1171-002	Door Pull	x	x	x
8402-004	Fan and Limit 8"	x		
8402-002	Fan and Limit 11"		x	x
7004-012	Filter 20x20	x		
7004-013	Filter 20x25		x	
7004-011	Filter 16x25			(2)
5451-001	Grommet - Blower Leg	x	x	x
9041-001	Heat Exchanger	x		
9041-002	Heat Exchanger		x	
9041-003	Heat Exchanger			x
*	Housing - Blower 10-10	x	x	
*	Housing - Blower 12-10			x
8600-005	Ignition Wire	x	x	
8600-006	Ignition Wire			x
8406-013	Micro Switch	x	x	x
5651-024	Module S86C1007	x	x	x
8102-001	Motor 1/6 hp	x		
8104-002	Motor 1/4 hp		x	
8105-002	Motor 1/3 hp			x
5153-006	Motor Adj. Kit	x	x	x
8200-016	Motor Mount	x	x	x
9010-006	Orifice Nat #13 • LP #34	x	x	x
8554-009	Pilot & Orifice Nat-.020 LP-.014	x	x	x
5501-012	Pulley - Blower 6 x 3/4	x	x	x
5501-015	Pulley - Motor 3-1/4 x 1/2	x	x	x
1912-001	Shaft - Blower 15-1/4 x 3/4	x	x	x
8407-025	Transformer	x	x	x
5651-035	Valve - Nat 1/2 x 3/4	x	x	x
5153-002	Washer - Neoprene	x	x	x
5152-006	Wheel - Blower 10-10	x	x	
5152-022	Wheel - Blower 11-10			x

*Please order by model number.

**Denotes change.

Minimum net billing \$15.00. Supersedes all previous lists.
Subject to change without notice. F.O.B. Bryan, Ohio.

PARTS LIST
HIGH-BOY GAS FURNACES

10-21-83
Supersedes 9-13-83

PART NO.	DESCRIPTION	11600A,B	11800A,B	1180036A,B	11105A,B	111050A,B	1110510A,B	11120A,B	11120048A,B	11140A	11140048A	11160A	11161048A	11200A
5153-012	Bearings 3/4"				x			x		x		x		
5601-001	Belt 36"				x			x		x		x		
5601-004	Belt 39"													x
3552-002	Capacitor 5/370V			x			x		x					
5153-019	Collar 3/4"				x			x		x		x		
5153-002	Collar Neoprene				x			x		x		x		
5153-014	Cushion - Bearing				x			x		x		x		
8402-001	Fan and Limit 11"	x	x	x	x	x	x	x	x	x	x	x	x	
9402-004	Fan and Limit 8"													x
7003-004	Filter 16x25 P	x	x	x	x	x	x	x	x	x	x	x	x	x
9041-008	Heat Exchanger	x	x	x										
9041-009	Heat Exchanger				x	x	x	x	x					
9041-010	Heat Exchanger									x	x	x	x	
9041-023	Heat Exchanger													x
*	Housing - Blower 10-7	x	x	x		x								
*	Housing - Blower 10-9				x		x	x	x					
*	Housing - Blower 12-10									x		x		
*	Housing - Blower 12-12													x
*	Housing - Blower 10-10										x		x	
5818-001	Manifold 3/4 NS2	x	x	x										
5818-002	Manifold 3/4 NS3				x	x	x	x	x					
5818-003	Manifold 3/4 NS4									x	x	x	x	
5818-004	Manifold 3/4 NS5													x
8102-005	Motor 1/8 hp	x	x			x								
8105-008	Motor 1/3 hp			x										
8104-002	Motor 1/4 hp				x									
8105-002	Motor 1/3 hp							x		x				
8106-001	Motor 1/2 hp											x		x
8105-009	Motor 1/3 hp						x		x					
3106-018	Motor 1/2 hp										x		x	x
3153-005	Motor Adjusting Bracket				x			x		x		x	x	x
3200-003	Motor Mount	x	x	x		x	x	x	x		x		x	
3200-016	Motor Mount				x			x						
3200-013	Motor Mount									x		x		
5451-011	Motor Mounting Parts	x	x	x		x	x	x	x		x		x	
9010-010	Orifice - Nat	x												
9010-008	Orifice - Nat		x	x				x	x			x	x	x
9010-009	Orifice - Nat				x	x	x			x	x			
9406-013	Micro Switch	x	x	x	x	x	x	x	x	x	x	x	x	x
3554-002	Pilot Burner - Nat	x	x	x	x	x	x	x	x	x	x	x	x	x
5501-012	Pulley - Blower 6 x 3/4				x			x		x		x		x
5501-001	Pulley - Motor 3-1/4 x 1/2				x			x						
5501-015	Pulley - Motor 3-1/4 x 1/2									x				x
1912-001	Shaft - Blower 15-1/4 x 3/4				x			x		x		x		
3407-006	Transformer	x	x		x	x		x		x		x		x
3201-007	Transformer w/Relay	x	x		x	x		x		x		x		x
3201-006	Transformer w/2-Speed Relay			x			x		x		x		x	
3051-052	Valve - Nat. 1/2 x 3/4	x	x	x	x	x	x	x	x	x	x	x	x	x
9010-015	Venturi - 2-Cell	x	x	x										
9010-016	Venturi - 3-Cell				x	x	x	x	x					
9010-017	Venturi - 4-Cell									x	x	x	x	
9010-018	Venturi - 5-Cell													x
* 5501-016	Pulley - Motor 6 x 5/8											x		
5152-004	Wheel - Blower 009-7A	x	x			x								
5152-010	Wheel - Blower 0010-7A			x										
5152-002	Wheel - Blower A10-9A				x			x						
5152-014	Wheel - Blower J010-9A						x		x					
5152-022	Wheel - Blower 11-10									x		x		
5152-042	Wheel - Blower CL220													x
5152-015	Wheel - Blower 0010-10A										x		x	
3554-003	Thermocouple	x	x	x	x	x	x	x	x	x	x	x	x	x

*Please order by model number.
Minimum Net Billing \$15.00. Supersedes all previous lists.
Subject to change without notice.

PARTS LIST
ELECTRIC IGNITION
HIGH-BOY GAS FURNACES

10-21-83
Supersedes 9-13-83

PART NO.	DESCRIPTION	EH00DA,B	EH00DA,B	EH0036A,B	EH105A,B	EH105HA,B	EH105040A,B	EH120A,B	EH120040A,B	EH140A	EH140040A	EH160A	EH160040A	EH200A
5153-012	Bearings 3/4"				X			X		X		X		
5601-001	Belt 36"				X			X		X		X		
5601-004	Belt 39"													X
8552-002	Capacitor 5/370V			X			X		X					
5153-019	Collar 3/4"				X			X		X		X		
5153-002	Collar Neoprene				X			X		X		X		
5153-014	Cushion - Bearing				X			X		X		X		
3402-001	Fan and Limit 11"	X	X	X	X	X	X	X	X	X	X	X	X	X
3402-004	Fan and Limit 8"													X
7003-004	Filter 16x25 P	X	X	X	X	X	X	X	X	X	X	X	X	X
9041-008	Heat Exchanger	X	X	X										
9041-009	Heat Exchanger				X	X	X	X	X					
9041-010	Heat Exchanger									X	X	X	X	
9041-023	Heat Exchanger													X
*	Housing - Blower 10-7	X	X	X		X								
*	Housing - Blower 10-9				X		X	X	X					
*	Housing - Blower 12-10									X			X	
*	Housing - Blower 12-12													X
*	Housing - Blower 10-10													X
5219-001	Manifold 3/4 VS2	X	X	X										
5219-002	Manifold 3/4 VS3				X	X	X	X	X					
5219-003	Manifold 3/4 VS4									X	X	X	X	
5219-004	Manifold 3/4 VS5													X
8102-005	Motor 1/8 hp	X	X			X								
8105-008	Motor 1/3 hp			X										
8104-002	Motor 1/4 hp				X									
8105-002	Motor 1/3 hp							X		X				
8106-001	Motor 1/2 hp											X		X
8105-009	Motor 1/3 hp						X		X					
8106-019	Motor 1/2 hp											X		X
5153-005	Motor Adjusting Bracket				X			X		X		X		X
8200-003	Motor Mount	X	X	X		X	X	X	X		X	X	X	X
8200-016	Motor Mount				X			X						
8200-013	Motor Mount									X		X		
5451-011	Motor Mounting Parts	X	X	X		X	X		X		X	X	X	
9010-010	Orifice - Nat	X												
9010-008	Orifice - Nat		X	X				X	X			X	X	X
9010-009	Orifice - Nat				X	X	X		X	X	X	X	X	X
8406-013	Micro Switch	X	X	X	X	X	X	X	X	X	X	X	X	X
8554-009	Pilot Burner - Nat	X	X	X	X	X	X	X	X	X	X	X	X	X
5501-012	Pulley - Blower 6 x 3/4				X			X		X*		X		X
5501-001	Pulley - Motor 3-1/4 x 1/2				X			X						
5501-015	Pulley - Motor 3-1/4 x 1/2									X				X
1912-001	Shaft - Blower 15-1/4 x 3/4				X			X		X		X		
8407-025	Transformer	X	X		X	X		X		X		X		X
9201-007	Transformer w/Relay	X	X		X	X		X		X		X		X
9201-006	Transformer w/2-Speed Relay			X			X		X		X		X	
5651-023	Valve - Nat. 1/2 x 3/4	X	X	X	X	X	X	X	X	X	X	X	X	X
9010-015	Venturi - 2-Cell	X	X	X										
9010-016	Venturi - 3-Cell				X	X	X	X	X					
9010-017	Venturi - 4-Cell									X	X	X	X	
9010-018	Venturi - 5-Cell													X
5501-016	Pulley - Motor 4 x 5/8												X	
5152-004	Wheel - Blower 059-7A	X	X			X								
5152-010	Wheel - Blower 0910-7A			X										
5152-002	Wheel - Blower A10-9A				X			X						
5152-014	Wheel - Blower 0510-9A						X		X					
5152-022	Wheel - Blower 11-10									X			X	
5152-042	Wheel - Blower 01220													X
5152-013	Wheel - Blower 0910-10A										X		X	
2500-002	Ignition Wire	X	X	X	X	X	X	X	X	X	X	X	X	X
5651-024	Ignition Module	X	X	X	X	X	X	X	X	X	X	X	X	X

*Please order by model number.
Minimum Net Billing \$15.00. Supersedes all previous lists.
Subject to change without notice.

PARTS LIST
COUNTERFLOW GAS FURNACES

9-13-83

PART NO.	DESCRIPTION	C60DA	C80DA	C80D3GA	C10SA	C105D42A	C120A	C120M2A	C140A	C140D48A	C160A	C160D48A
5153-012	Bearings 3/4"				x		x		x		x	
5601-005	Belt 40"				x		x					
5601-006	Belt 41"								x		x	
3552-302	Capacitor 5/370V			x		x		x				
5153-018	Collar 3/4"				x				x		x	
5153-014	Cushion Bearing				x		x		x		x	
8402-001	Fan and Limit 11"	x	x	x	x	x	x	x				
8402-004	Fan and Limit 8"								x	x	x	x
7003-001	Filter 10x20 P				x	x	x	x	x	x	x	x
7003-003	Filter 15x20	x	x	x	x	x	x	x	x	x	x	x
9041-005	Heat Exchanger	x	x	x								
9041-006	Heat Exchanger				x	x	x	x				
9041-007	Heat Exchanger											
*	Housing - Blower 10-7	x	x	x								
*	Housing - Blower 10-9				x	x	x	x				
*	Housing - Blower 12-10								x		x	
*	Housing - Blower 10-10									x		x
3402-014	Limit Switch	x	x	x	x	x	x	x	x	x	x	x
5818-001	Manifold	x	x	x								
5818-002	Manifold				x	x	x	x				
5818-003	Manifold								x	x	x	x
3102-005	Motor 1/6 hp	x	x									
3105-008	Motor 1/3 hp			x								
3105-009	Motor 1/3 hp					x		x				
8104-002	Motor 1/4 hp				x							
8105-002	Motor 1/3 hp						x		x			
8106-001	Motor 1/2 hp										x	
8106-018	Motor 1/2 hp											x
5153-006	Motor Adj. Bracket				x		x		x		x	x
3200-003	Motor Mount	x	x	x		x	x	x	x	x	x	x
3200-016	Motor Mount				x		x					
3200-013	Motor Mount								x		x	
5451-011	Motor Mounting Parts	x	x	x		x		x	x	x	x	x
9010-010	Orifice - Nat	x										
9010-008	Orifice - Nat		x	x			x				x	x
9010-009	Orifice - Nat				x	x	x	x	x	x		
3554-002	Pilot Burner	x	x	x	x	x	x	x	x	x	x	x
3406-013	Micro Switch	x	x	x	x	x	x	x	x	x	x	x
5501-001	Pulley - Motor 3-1/4 x 1/2				x		x					
5501-012	Pulley - Blower 6 x 3/4				x		x		x		x	
5501-015	Pulley - Motor 3-1/4 x 1/2								x		x	
1912-001	Shaft - Blower 15-1/4 x 3/4				x		x		x		x	
3554-003	Thermocouple	x	x	x	x	x	x	x	x	x	x	x
3407-006	Transformer	x	x		x		x		x		x	
3201-007	Transformer w/Relay	x	x		x		x		x		x	
3201-006	Transformer w/2-speed relay			x		x	x	x	x	x	x	x
5651-032	Valve - Nat 1/2 x 3/4	x	x	x	x	x	x	x	x	x	x	x
9010-015	Venturi 2-Cell	x	x					x				
9010-016	Venturi 3-Cell			x	x	x	x					
9010-017	Venturi 4-Cell								x	x	x	x
5153-002	Washer - Neoprene				x		x		x		x	
5152-004	Wheel - Blower 009-7A	x	x									
5152-014	Wheel - Blower 0010-9A					x		x				
5152-002	Wheel - Blower 10-9A				x		x					
5152-022	Wheel - Blower 11-10								x		x	
5152-010	Wheel - Blower 0010-7A			x								
5152-015	Wheel - Blower 0010-10A									x		x

*Please order by model number.
Minimum Net Billing \$15.00. Supersedes all previous lists.
Subject to change without notice.

PARTS LIST
ELECTRIC IGNITION
COUNTERFLOW GAS FURNACES

9-13-83

PART NO.	DESCRIPTION	EC60DA	EC80DA	EC80D36A	EC105A	EC105D42A	EC120A	EC120D48A	EC140A	EC140D48A	EC160A	EC160D48A
5153-012	Bearings 3/4"				x		x		x		x	
5601-005	Belt 40"				x							
5601-006	Belt 41"								x		x	
8552-002	Capacitor 5/370V			x		x		x				
5153-018	Collar 3/4"				x		x		x		x	
5153-002	Collar - Neoprene 3/4"				x		x		x		x	
5153-014	Cushion, Bearing				x		x		x		x	
8402-001	Fan and Limit 11"	x	x	x	x	x	x	x				
8402-004	Fan and Limit 8"								x	x	x	x
7003-001	Filter 10x20 P				x	x	x	x	x	x	x	x
7003-003	Filter 15x20 P	x	x	x	x	x	x	x	x	x	x	x
9041-005	Heat Exchanger	x	x	x								
9041-006	Heat Exchanger				x	x	x	x				
9041-007	Heat Exchanger								x	x	x	x
*	Housing - Blower 10-7	x	x	x								
*	Housing - Blower 10-9				x	x	x	x				
*	Housing - Blower 12-10								x		x	
*	Housing - Blower 10-10									x		x
8600-002	Ignition Wire	x	x	x	x	x	x	x	x	x	x	x
8402-014	Limit Switch 140°	x	x	x	x	x	x	x	x	x	x	x
5818-001	Manifold NS2	x	x	x								
5818-002	Manifold NS3				x	x	x	x				
5818-003	Manifold NS4				x	x	x	x	x	x	x	x
3406-013	Micro Switch	x	x	x	x	x	x	x	x	x	x	x
8102-005	Motor 1/8 hp	x	x									
8105-009	Motor 1/3 hp					x		x				
8105-008	Motor 1/3 hp			x								
8104-002	Motor 1/4 hp				x							
8105-002	Motor 1/3 hp						x		x			
8106-001	Motor 1/2 hp										x	
8106-018	Motor 1/2 hp											x
5153-006	Motor Adj. Bracket				x		x		x		x	
8200-003	Motor Mount	x	x	x				x		x		x
5451-011	Motor Mounting Parts	x	x	x		x		x		x		x
5651-024	Ignition Module	x	x	x	x	x	x	x	x	x	x	x
9010-010	Orifice - Net.	x										
9010-008	Orifice - Net.		x	x			x				x	x
9010-009	Orifice - Net.				x	x		x	x	x		
8554-009	Pilot and Orifice - Net	x	x	x	x	x	x	x	x	x	x	x
5501-012	Pulley - Blower 6 x 3/4				x		x		x			
5501-001	Pulley - Motor 3-1/4 x 1/2				x							
5501-015	Pulley - Motor 3-1/4 x 1/2								x			
1912-001	Shaft - 15-1/4 x 3/4				x		x		x		x	
8607-005	Terminal Block	x	x	x	x	x	x	x	x	x	x	x
8407-025	Transformer 20VA	x	x		x		x		x		x	
8201-006	Fan Relay w/trans.			x		x		x		x		x
5651-023	Valve - Net. 1/2 x 3/4	x	x	x	x	x	x	x	x	x	x	x
9010-015	Venturi 2-Cell	x	x	x								
9010-016	Venturi 3-Cell				x	x	x	x				
9010-017	Venturi 4-Cell								x	x	x	x
5152-004	Wheel 009-7A (blower)	x	x									
5152-014	Wheel 0010-9A (blower)					x		x				
5152-002	Wheel A10-9A (blower)				x		x					
5152-022	Wheel 11-10 (blower)								x		x	
5152-015	Wheel 0010-10A (blower)											x
5152-010	Wheel 0010-7A (blower)			x						x		
8200-016	Motor Mount				x		x					
8200-013	Motor Mount								x		x	

*Please order by model number.
Minimum Net Billing \$15.00. Supersedes all previous lists.
Subject to change without notice.

PARTS LIST
HIGH ECONOMY GAS FURNACE

9-13-83

PART NO.	DESCRIPTION	IH60D36A,B	IH85D48A,B	IH115D48A,B
8552-002	Capacitor 5/370V	x	x	
8552-004	Capacitor 7.5/370V	x	x	
8402-001	Fan and Limit 11"	x	x	x
7003-004	Filter 16x25 P	x	x	x
9041-008	Heat Exchanger	x		
9041-009	Heat Exchanger		x	
9041-010	Heat Exchanger			x
*	Housing - Blower 10-7	x		
*	Housing - Blower 10-9		x	
*	Housing - Blower 10-10			x
8109-001	Induced Draft Blower	x	x	x
8600-002	Ignition Wire	x	x	x
5651-024	Ignition Module	x	x	x
5818-001	Manifold 3/4 NS2	x		
5818-002	Manifold 3/4 NS3		x	
5818-003	Manifold 3/4 NS4			x
8105-008	Motor 1/3 hp	x		
8105-009	Motor 1/3 hp		x	
8106-018	Motor 1/2 hp			x
8200-003	Motor Mount	x	x	x
5451-011	Motor Mounting Parts	x	x	x
9010-010	Orifice - Nat	x	x	x
8406-013	Micro Switch	x	x	x
8554-009	Pilot Burner - Nat	x	x	x
8406-021	Pressure Switch	x	x	x
8201-013	Relay - DPST	x	x	x
8201-006	Transformer w/2-Speed Relay	x	x	x
5651-023	Valve - Nat. 1/2 x 3/4	x	x	x
9010-015	Venturi - 2 Cell	x		
9010-016	Venturi - 3 Cell		x	
9010-017	Venturi - 4 Cell			x
5152-010	Wheel - Blower DD10-7A	x		
5152-014	Wheel - Blower DD10-9A		x	
5152-015	Wheel - Blower DD10-10A			x

*Please order by model number.

Minimum Net Billing \$15.00. Supersedes all previous lists.
Subject to change without notice.

PARTS LIST
GAS HORIZONTAL

Effective 4-23-82
Supersedes 1-24-80

PART NO.	DESCRIPTION	HG750H	HG100DH	HG120DH	HG140DH	HG160F2
8552-003	Capacitor 5/370V	x	x	x	x	
8552-004	Capacitor 7.5/370V					x
8402-001	Fan & Limit L4064A1321	x	x	x	x	x
8402-018	Auxiliary Limit Wall 130	x	x	x	x	x
2168882	Heat Exchanger	x				
2068892	Heat Exchanger		x			
2168902	Heat Exchanger			x		
2168912	Heat Exchanger				x	
2168922	Heat Exchanger					x
2168411	Blower Lau 10-6	x				
2168431	Blower Lau 10-7		x			
203320	Blower Lau 12-9			x		
2168441	Blower Lau 10-10				x	
203418	Blower Lau 12-12					x
2032682	Motor 1/4 hp 4 Speed	x				
2032692	Motor 1/3 hp 4 Speed		x	x	x	
8107-003	Motor 3/4 hp 2 Speed					x
203425	Motor Mount Kit	x	x	x	x	
203426	Motor Mount Kit					x
202859-42	Orifice Nat. 42	(3)	(4)	(5)	(6)	(7)
202859-54	Orifice LP 54	(3)	(4)	(5)	(6)	(7)
202668	Pilot Nat. Q314A4222	x	x	x	x	x
202669	Pilot LP Q314A3778	x	x	x	x	x
8554-003	Thermocouple Q309A2143	x	x	x	x	x
8407-025	Transformer AT20A1005	x	x	x	x	x
202954	Gas Valve Nat. VR810A1010	x	x	x	x	
202955	Gas Valve Nat. VR810A1028					x
						x
2033562	Blower Wheel 10-6	x				
2033572	Blower Wheel 10-7		x			
2033692	Blower Wheel 12-9			x		
2033602	Blower Wheel 10-10				x	
2033622	Blower Wheel 12-12					x
2165881	Burner Venturi w/Air Shutter	x	x	x	x	x
7004-001	Filter Opt. 10x20x1	(2)	(2)			
7004-005	Filter Opt. 14x20x1			(2)	(2)	
7004-010	Filter Opt. 16x20x1					(2)
216675	LP Conversion Kit VR910 Valve	x	x	x	x	x
216041	Filter Support (Opt) pr.	x				
216051	Filter Support (Opt) pr.		x			
216061	Filter Support (Opt) pr.			x		
216071	Filter Support (Opt) pr.				x	
216081	Filter Support (Opt) pr.					x

NOTE: Always furnish model and serial number when ordering parts.
Optional 2 speed relay with transformer available for
air conditioning, part number 8201-006.

PARTS LIST
ELECTRIC IGNITION
GAS HORIZONTAL

Effective
Supersedes 1-

PART NO.	DESCRIPTION	HG7504E	HG100D4E	HG120D4E	HG140D4E	HG160D2E
8552-003	Capacitor 6/370V	x	x	x	x	
8552-004	Capacitor 7.5/370V					x
8402-001	Fan & Limit L4064A1321	x	x	x	x	x
8402-016	Auxiliary Limit Wall 130	x	x	x	x	x
2168892	Heat Exchanger	x				
2068892	Heat Exchanger		x			
2168902	Heat Exchanger			x		
2166912	Heat Exchanger				x	
2168922	Heat Exchanger					x
2168411	Blower Lau 10-6	x				
2168421	Blower Lau 10-7		x			
203320	Blower Lau 12-9			x		
2168441	Blower Lau 10-10				x	
203418	Blower Lau 12-12					x
2032682	Motor 1/4 hp 4 Speed	x				
2032692	Motor 1/3 hp 4 Speed		x	x	x	
2033222	Motor 3/4 hp 2 Speed					x
203425	Motor Mount Kit	x	x	x	x	
203426	Motor Mount Kit					
202859-42	Orifice Nat. 42	(3)	(4)	(5)	(6)	
202959-54	Orifice LP 54	(3)	(4)	(5)	(6)	(7)
202945	Orifice Nat WRA69-1863 (WR)	x	x	x	x	x
202946	Orifice LP WRA69-2052 (WR)	x	x	x	x	x
202944	WR3098 Auto Sensor (WR)	x	x	x	x	x
8407-025	Transformer AT20A1005	x	x	x	x	x
202941	Gas Valve Nat. (WR)36084-227	x	x	x	x	x
202975	Gas Valve Nat (WR)36084	x	x	x	x	x
2033562	Blower Wheel 10-6	x				
2033572	Blower Wheel 10-7		x			
2033692	Blower Wheel 12-9			x		
2033602	Blower Wheel 10-10				x	
2033622	Blower Wheel 12-12					x
2165881	Burner Venturi w/Air Shutter	x	x	x	x	x
7004-001	Filter Opt. 10x20x1	(2)	(2)			
7004-005	Filter Opt. 14x20x1			(2)	(2)	
7004-010	Filter Opt. 16x20x1					(2)
206017	LP Conversion Kit	x	x	x	x	x
216041	Filter Support (Opt) pr.	x				
216051	Filter Support (Opt) dr.		x			
216061	Filter Support (Opt) pr.			x		
216071	Filter Support (Opt) pr.				x	
216081	Filter Support (Opt) dr.					x

NOTE: Always furnish model and serial number when ordering parts.
Optional 2 speed relay with transformer available for
air conditioning, part number 8201-006.

PARTS LIST
ELECTRIC IGNITION
GAS HORIZONTAL

Effective 4-2-
Supersedes 1-

PART NO.	DESCRIPTION	HG75D4E	HG100D4E	HG120D4E	HG140D4E	HG160D2E
202939	Pilot Assembly - Nat (WR)	X	X	X	X	X
202940	Pilot Assembly - LP (WR)	X	X	X	X	X
202943	Safety Control WR50A22 (WR)	X	X	X	X	X

Minimum Net Billing \$15.00. Supersedes all previous lists.
Subject to change without notice. F.O.B. Bryan, Ohio

PARTS LIST
OIL FURNACES

Effective
Supersedes

PART NO.	DESCRIPTION	F81	F97	NB120	C1	C2	F86CF	F100CF	F86H	F120H	F120L
5153-012	Bearings 3/4"	x	x	x			x	x	x	x	x
5153-013	Bearings 1"				x	x					
5601-007	Belt 42"	x									
5601-001	Belt 36"								x		x
5601-003	Belt 38"			x							
5601-009	Belt 46"				x	x					
5601-005	Belt 40"		x				x	x			
5601-002	Belt 37"									x	
5153-018	Collar 3/4"	x	x	x			x	x	x	x	x
5153-021	Collar 1"				x	x					
7090-005	Combustion Chamber	x	x				x	x	x		
7090-003	Combustion Chamber			x						x	x
7090-006	Combustion Chamber				x	x					
5153-014	Cushion - Bearing	x	x	x			x	x	x	x	x
5153-015	Cushion - Bearing				x	x					
8402-004	Fan and Limit 8"						x	x			
8402-002	Fan and Limit 11"	x	x		x	x					
8402-003	Fan and Limit L4064B								x		
8402-005	Fan and Limit L4064C			x						x	
7004-012	Filter 20x20	x		(2)						x	
7004-013	Filter 20x25		x								
7004-011	Filter 16x25				(2)				x		(2)
7004-001	Filter 10x20						(2)				
7004-003	Filter 12x20							(2)			
7003-004	Filter 16x25 P					(2)					
7004-010	Filter 16x20									x	
1171-002	Handle - Door	x	x	x							x
1171-003	Handle - Door	(2)	(3)	(2)	(4)	(4)	(2)	(2)	(2)		(2)
9041-001	Heat Exchanger	x					x		x		
9041-022	Heat Exchanger		x								
9041-017	Heat Exchanger			x							
9041-018	Heat Exchanger				x						
9041-019	Heat Exchanger					x					
9041-021	Heat Exchanger							x			
9041-016	Heat Exchanger									x	
9041-003	Heat Exchanger										x
*	Housing - Blower 10-10	x	x				x	x	x		
*	Housing - Blower 12-10			x						x	
*	Housing - Blower 140-14				x	x					

*Please order by model number.

PARTS LIST
OIL FURNACES

Effective 5-23-
Supersedes 11-20-

PART NO.	DESCRIPTION	F01	F97	ND120	C1	C2	F06CF	F100CF	F06H	F120H	F120L
8102-001	Motor 1/6 hp	x									
8104-002	Motor 1/4 hp		x				x	x	x		
8104-001	Motor 1/4 hp			x							
8105-001	Motor 1/3 hp				x	x					
8105-002	Motor 1/3 hp									x	x
8106-001	Motor 1/2 hp									x	
8200-014	Motor Adj. Kit	x	x	x	x	x	x	x	x	x	x
9011-001	Nozzle (.75 80° A)	x					x		x		
9011-002	Nozzle (.85 80° A)		x					x			
9011-004	Nozzle (1.10 80° A)			x						x	x
9011-006	Nozzle (1.25 80° A)				x						
9011-009	Nozzle (1.65 80° A)					x					
5501-013	Pulley-Blower 7 x 3/4	x		x							
5501-012	Pulley-Blower 6 x 3/4		x				x	x	x	x	x
5501-014	Pulley-Blower 8 x 1				x	x					
5501-015	Pulley-Motor 3-1/4 x 1/2	x	x	x	x	x	x	x	x	x	x
8400-001	Relay	x	x	x	x	x	x	x	x	x	x
8400-002	Sensor Cell	x	x	x	x	x	x	x	x	x	x
1912-001	Shaft-Blower 15-3/4 x 3/4	x	x	x			x	x	x	x	x
1912-006	Shaft-Blower 20 x 1				x	x					
*8402-024	Upper Limit L180-4						x	x			
5153-002	Washer - Neoprene	x	x	x			x	x	x	x	x
5153-003	Washer - Neoprene				x	x					
5152-006	Wheel - Blower 10-10	x	x				x	x	x		
5152-022	Wheel - Blower 11-10			x						x	x
5152-025	Wheel - Blower 15-12.80				x	x					
9020-010	MSR 6" Oil Burner		x					x			
9020-009	MSR 8" Oil Burner	x					x		x		
9020-012	MSR 6" Oil Burner			x	x						
9020-011	MSR 8" Oil Burner									x	x
9020-013	MSR 6" Oil Burner					x					

NOTE: For oil burner parts, see oil burner parts list.

Minimum Net Billing \$15.00. Supersedes all previous lists.
Subject to change without notice. F.O.B. Bryan, Ohio.

*Denotes Change

PARTS LIST
HORIZONTAL SERIES
OIL FURNACES

Effective 1/1/79
Supersedes 1/1/79

PART NO.	DESCRIPTION	S0175	S0230	S0350
HE17SS	Heat Exchanger Steel Body	x		
HE203S	Heat Exchanger Steel Body		x	
HE350S	Heat Exchanger Steel Body			x
AGOF	Door Frame Gasket 1/8 x 1-1/4	x	x	x
216061	Lower Oil Burning Mounting Door	x	x	x
216062	Upper Oil Burner Mounting Door	x	x	x
B1212	Blower Assembly w/Wheel	x		
B1215	Blower Assembly w/Wheel		x	
B1218	Blower Assembly w/Wheel			x
B1212MB	Blower Motor Mount Bar	x		
B1215MB	Blower Motor Mount Bar		x	
B1218MB	Blower Motor Mount Bar			x
BHB	Blower Motor Adj. Hardware	x	x	x
L4064	Fan & Limit Control	x	x	x
T87F	Room Thermostat	x	x	x
BM 1/3hp	Blower Motor	x		
BM 1/2hp	Blower Motor		x	
BM 3/4hp	Blower Motor			x
20x25x1	Air Filter	x		
16x25x1	Air Filter		x	
16x16x1	Air Filter			x
DH01	Door Handles w/Keepers	x	x	
FC8	Finish Collar	x	x	
FC9	Finish Collar			x
BD06	Blower Door (Less Handles)	x		
BD07	Blower Door (Less Handles)		x	
BD08	Blower Door (Less Handles)			x
F134	Fire Brick	x		
F150	Fire Brick		x	
F350	Fire Brick			x
VER2	Vermiculite	x		
VER3	Vermiculite		x	
VER4	Vermiculite			x
HIC	Hi Temp Cement	x	x	x
BDP175S	Blower Division Panel	x		
BDP230S	Blower Division Panel		x	
BDP350S	Blower Division Panel			x
CB175S	Cabinet Base	x		
CB230S	Cabinet Base		x	
CB350S	Cabinet Base			x
BP7	Blower Drive Pulley	x	x	
BP8	Blower Drive Pulley			x
MP01	Motor Drive Pulley	x	x	
MP02	Motor Drive Pulley			x

PARTS LIST
HORIZONTAL SERIES
OIL FURNACES


Effective 1/1/80
Supersedes 1/1/79


PART NO.	DESCRIPTION	S0175	S0230	S0350
WHO2	Wiring Harness (Complete)	x	x	x
FB	Fan Belt	x	x	x
CTS175	Cabinet Top	x		
CTS230	Cabinet Top		x	
CTS350	Cabinet Top			x
FPI75S	Front Panel	x		
FP230S	Front Panel		x	
FP350S	Front Panel			x
BDC6	Blower Door	x		
BDC7	Blower Door		x	
BDC8	Blower Door			x
RSP175S	Right Side Panel	x		
RSP230S	Right Side Panel		x	
RSP350S	Right Side Panel			x
LSP175S	Left Side Panel	x		
LSP230S	Left Side Panel		x	
LSP350S	Left Side Panel			x
IDP175S	Inner Division Panel	x		
IDP230S	Inner Division Panel		x	
IDP350S	Inner Division Panel			x
RP175S	Rear Panel	x		
RP230S	Rear Panel		x	
RP350S	Rear Panel			x
SR01	Support Rails	x	x	x
PA02	W.A. Plenum Adapter	x		
PA03	W.A. Plenum Adapter		x	
PA04	W.A. Plenum Adapter			x

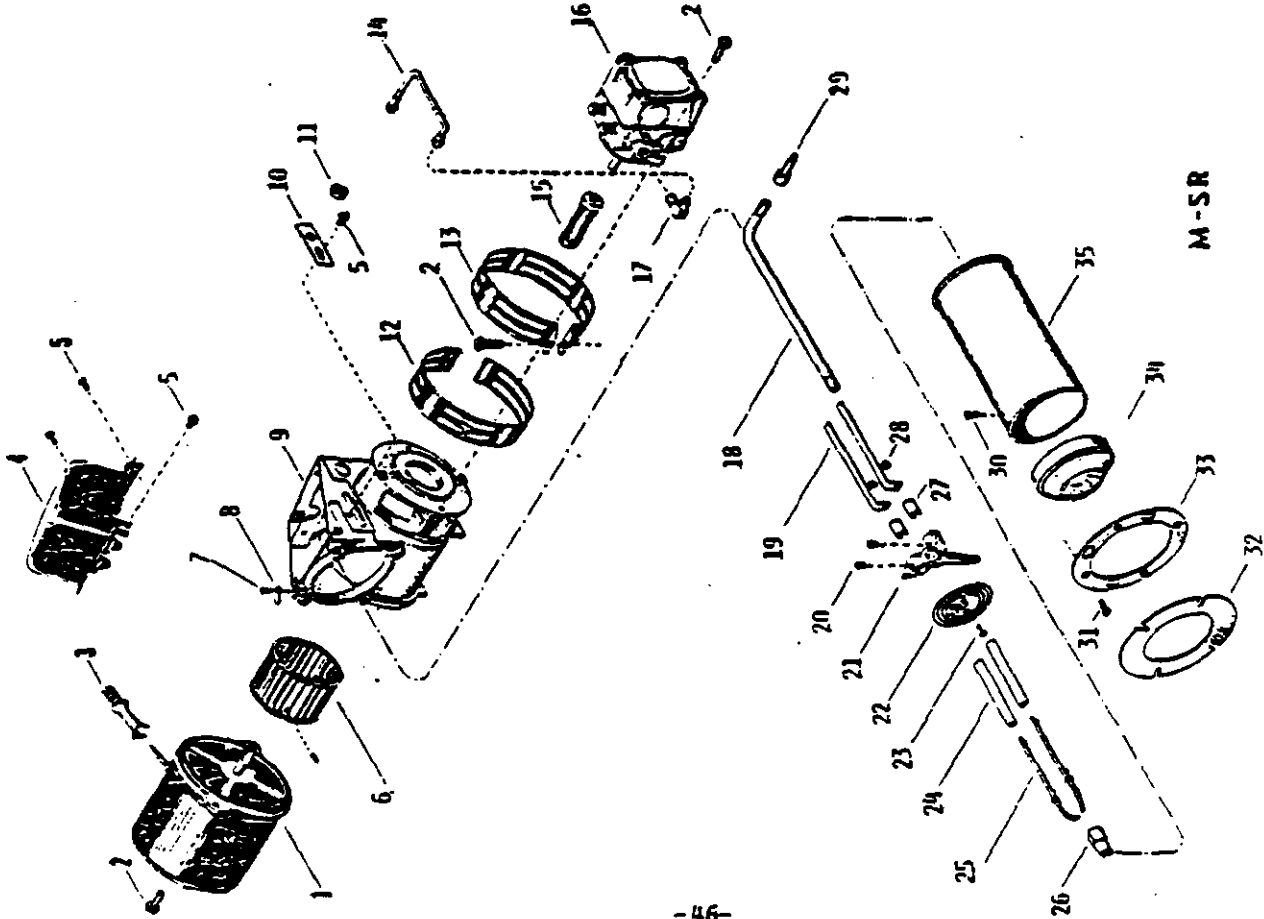
Minimum Net Billing \$15.00. Supersedes all previous lists.
Subject to change without notice. F.O.B. Bryan, Ohio

MSR BURNER

9 12-03
Superseded: 8-21-03

Item Number	Description	9020-009 MSR B"	9020-010 MSR C"	9020-011 MSR B"	9020-012 MSR C"	9020-013 MSR C"
1	Motor 1/8 hp - 3450 RPM	8101-003	8101-003	8101-003	8101-003	8101-003
2	Screw	9021-045	9021-045	9021-045	9021-045	9021-045
3	Motor Cord Cover	8407-078	8407-078	8407-078	8407-078	8407-078
4	Transformer	8407-016	8407-016	8407-016	8407-016	8407-016
5	Screw	9021-041	9021-041	9021-041	9021-041	9021-041
6	Fan	9021-006	9021-006	9021-006	9021-006	9021-006
7	Trans. Clip Screw	9021-048	9021-048	9021-048	9021-048	9021-048
8	Trans. Clip	9021-008	9021-008	9021-008	9021-008	9021-008
9	Fan Housing	9021-016	9021-016	9021-016	9021-016	9021-016
10	Oil Line Slot Cover	9021-015	9021-015	9021-015	9021-015	9021-015
11	Oil Line Lockout	9021-040	9021-040	9021-040	9021-040	9021-040
12	Inner Air Adjusting Band	9021-012	9021-012	9021-012	9021-012	9021-012
13	Outer Air Adjusting Band	9021-014	9021-014	9021-014	9021-014	9021-014
14	Oil Line Assembly	9021-018	9021-018	9021-018	9021-018	9021-018
15	Coupling	9021-017	9021-017	9021-017	9021-017	9021-017
16	Fuel Unit	9021-001	9021-001	9021-001	9021-001	9021-001
17	Oil Line Elbow	9021-019	9021-019	9021-019	9021-019	9021-019
18	Oil Pipe	9021-026	9021-026	9021-026	9021-026	9021-026
19	Bliss Bar	9021-033	9021-033	9021-033	9021-033	9021-033
20	Electrode Support Screw	9021-079	9021-079	9021-079	9021-079	9021-079
21	Electrode Support	9021-035	9021-035	9021-035	9021-035	9021-035
22	Baffle Plate	9021-046	9021-046	9021-046	9021-046	9021-046
23	Baffle Plate Screw	9021-076	9021-076	9021-076	9021-076	9021-076
24	Insulator	9021-048	9021-048	9021-048	9021-048	9021-048
25	Electrode Stem	9021-046	9021-046	9021-046	9021-046	9021-046
26	Nozzle Adapter	9021-043	9021-043	9021-043	9021-043	9021-043
27	Insulator Bushing	9021-039	9021-039	9021-039	9021-039	9021-039
28	Pin	9021-075	9021-075	9021-075	9021-075	9021-075
29	Oil Line Fitting	9021-028	9021-028	9021-028	9021-028	9021-028
30	Air Cone Screw	9021-053	9021-053	9021-053	9021-053	9021-053
31	Flange Mounting Screw	9021-048	9021-048	9021-048	9021-048	9021-048
32	Gasket	9021-023	9021-023	9021-023	9021-023	9021-023
33	Mounting Flange	9021-058	9021-058	9021-058	9021-058	9021-058
34	Air Cone	9021-056	9021-056	9021-056	9021-056	9021-056
35	Air Tube	9021-051	9021-051	9021-051	9021-051	9021-051
	Gun Assy. 	9021-066	9021-067	9021-066	9021-067	9021-067
	(Items 18 thru 29)					

 Break baffle plate to 1/2 dia. on 9020-011 and 9020-012 burners.
Break baffle plate to 2" dia. on 9020-013 burner.

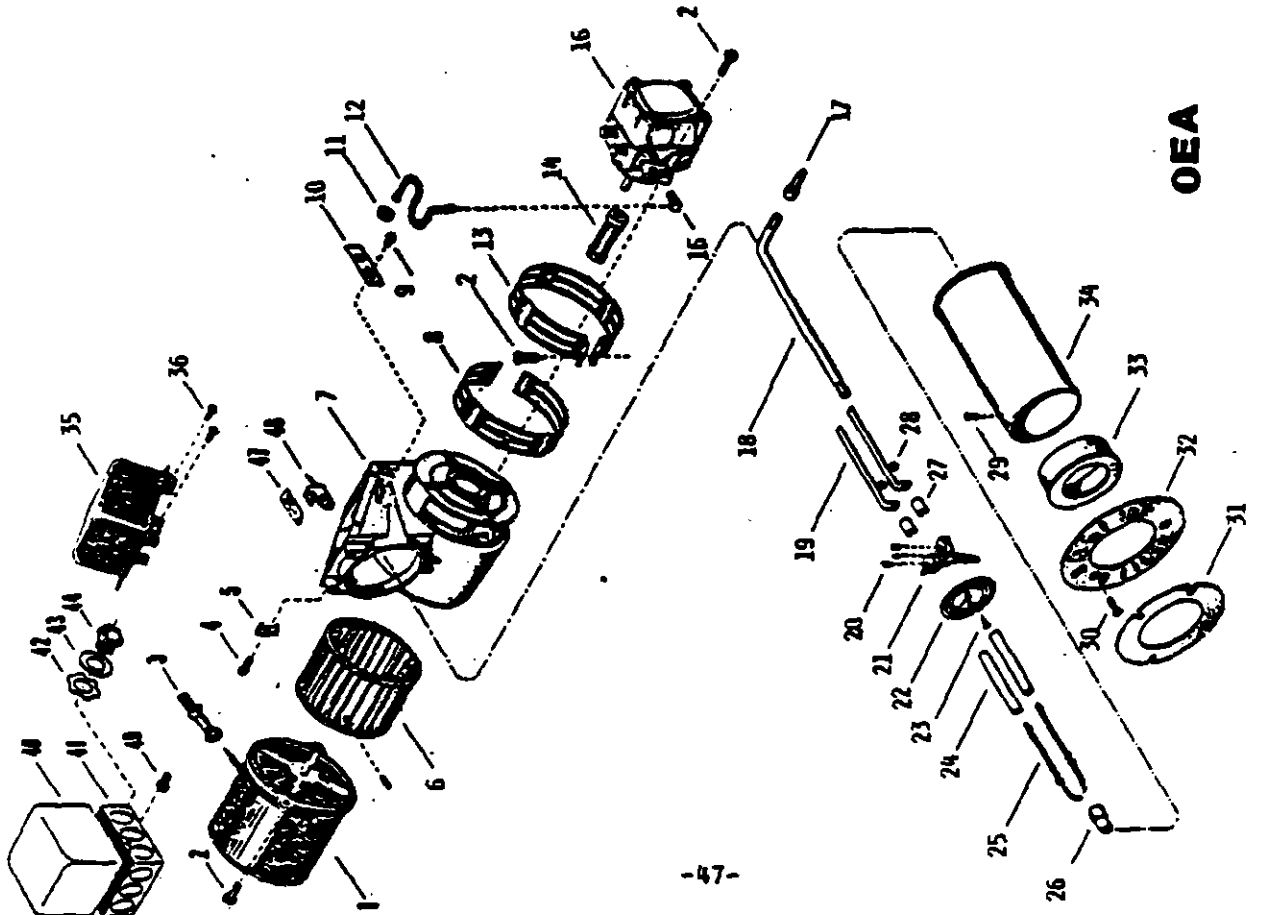


M-SR

OEA BURNER

9-22-63

Item Number	Description	9020 003 OEA 8"	9020 008 OEA 6"
1	Motor 1/8 hp 1725 RPM	8101-002	8101-002
2	Screw	9021-085	9021-085
3	Motor Cord Cover	9021-077	9021-077
4	Screw	9021-083	9021-083
5	Y-Trans. Hold Down Clip	9021-087	9021-087
6	Fan	9021-005	9021-005
7	Fan Housing	9021-009	9021-009
8	Inner Air Adjusting Band	9021-011	9021-011
9	Screw	9021-081	9021-081
10	Oil Line Slot Cover	9021-084	9021-084
11	Oil Line Locknut	9021-086	9021-086
12	Oil Line Assembly	9021-018	9021-018
13	Outer Air Adjusting Band	9021-013	9021-013
14	Pump Coupling	9021-016	9021-016
15	Oil Line Elbow	9021-019	9021-019
16	Fuel Unit	9021-061	9021-061
17	Oil Line Fitting	9021-020	9021-020
18	Oil Pipe	9021-022	9021-022
19	Bus Bar	9021-028	9021-028
20	Electrode Support Screw	9021-078	9021-078
21	Electrode Support	9021-035	9021-035
22	Daffle Plate	9021-037	9021-037
23	Daffle Plate Screw	9021-076	9021-076
24	Insulator	9021-044	9021-044
25	Electrode Stem	9021-045	9021-045
26	Nozzle Adapter	9021-043	9021-043
27	Insulator Bushing	9021-034	9021-034
28	Pinch	9021-075	9021-075
29	Air Cone Screw	9021-052	9021-052
30	Flange Mounting Screw	9021-068	9021-068
31	Gasket	9021-073	9021-073
32	Flange	9021-059	9021-059
33	Air Cone	9021-054	9021-054
34	Air Tube	9021-066	9021-066
35	Transformer	9007-001	9007-001
36	Gun Assembly (Items 17 thru 38)	9021-082	9021-082



OEA

PARTS LIST

POWER GAS BURNER

Effective 1/1/80

PART NO.	DESCRIPTION	WP20	WP40
60745	Air Tube and Housing Assembly 8-1/2" Burner	x	x
60814	Air Tube and Housing Assembly 12" Burner	x	x
60815	Air Tube and Housing Assembly 15" Burner	x	x
61460	Cover Plate	x	x
60363	Blower Wheel	x	x
60362	Blower Motor	x	x
60365	Air Shutter	x	x
60650	Housing Wiring Cover	x	x
60211	Mounting Flange	x	x
	Pedestal Mounting Assembly	x	x
60381	Venturi	x	x
60390	Orifice Holder Assembly 8-1/2" Burner	x	x
60391	Orifice Holder Assembly 12" Burner	x	x
60392	Orifice Holder Assembly 15" Burner	x	x
61455	Bulkhead Union	x	x
60364	Motor Bracket	x	x
61055	Main Burner Orifice - Natural Gas	x	x
61056	Main Burner Orifice - L.P. Gas	x	x
60534	Orifice Holder	x	x
60375	Pilot Shield	x	x
60659	Pilot	x	x
60186	Transformer	x	x
60227	Motor Relay	x	x
60228	Terminal Block	x	x
60243	Runner Lighter Tube 8-1/2" Burner	x	x
60244	Runner Lighter Tube 12" Burner	x	x
60245	Runner Lighter Tube 15" Burner	x	x
61430	Runner Lighter Valve 8-1/2" Burner	x	x
61510	Runner Lighter Valve 12-24" Burner	x	x
60374	Pilot Tubing 8-1/2" Burner	x	x
60776	Pilot Tubing 12" Burner	x	x
60777	Pilot Tubing 15" Burner	x	x
60280	Thermocouple 8-1/2" Burner	x	x
60281	Thermocouple 12" & 15" Burner	x	x
60270	Combination Gas Valve - Robertshaw (Natural Gas)	x	
61190	Combination Gas Valve - Robertshaw (L.P. Gas)	x	
60255	Combination Gas Valve - Robertshaw (Natural Gas)		x
60272	Combination Gas Valve - Honeywell (Natural Gas)	x	
61666	Combination Gas Valve - Honeywell (L.P. Gas)	x	
61667	Combination Gas Valve - Honeywell (Natural Gas)		x
60182	Gas Valve Cord Assembly	x	x
60615	Runner Lighter Door	x	x
60748	Flame Retention Ring	x	x
60680	Pilot Orifice - Natural Gas	x	x
60740	Pilot Orifice - L.P. Gas	x	x

Minimum Net Billing \$15.00. Supersedes all previous lists.
Subject to change without notice. F.O.B. Bryan, Ohio.

PARTS LIST
ELECTRONIC AIR CLEANER

Effective 1/1/80
Supersedes 10/78

PART NO.	DESCRIPTION	EC14	EC20
8610-015	Electronic Cell FC37A1130	(2)	
8610-016	Electronic Cell FC37A1064		(2)
8610-017	Cell Handle 137266	(2)	(2)
8610-018	Protective Screen 136388	(2)	
8610-019	Protective Screen 136389		(2)
8610-020	Cell Key 136518	x	x
8610-021	Contact Board 136383A	(2)	(2)
8610-022	Shorting Arm 136387A	x	x
8610-023	Shorting Arm Bracket 136382A	x	x
8610-024	Shorting Arm Spring 136517	x	x
8610-025	Switch/Indicator Light 139034	x	x
8610-026	Power Supply W919A1275	x	
8610-027	Power Supply W919A1267		x
8610-028	High Voltage Transformer 135672AH	x	
8610-029	High Voltage Transformer 136572AF		x
8610-030	Resonating Capacitor 136749	x	x
8610-031	Diode 137073A	(2)	(2)
8610-032	Capacitor 136912	(2)	(2)
8610-033	Resistor 118965A	x	x
	Power Box Assembly 139963C	x	
	Power Box Assembly 139963A		x

Minimum Net Billing \$15.00. Supersedes all previous lists.
Subject to change without notice. F.O.B. Bryan, Ohio