



# 1984 Parts List

## Pink Pages

### SPLIT SYSTEM CONDENSING UNITS

18ECQ2 24ECQ4 30ECQ4 31ECQ1 36ECQ5 37ECQ1 37ECQ1-3 42ECQ1 42ECQ1-3 48ECQ2  
48ECQ2-3 60ECQ1 60ECQ1-3 ---1

### WALL MOUNT AND PACKAGED A/C UNITS

20WA1 24WA4 ---2

30WA4 30WA4-3 36WA5 36WA5-3 ---3

42WA 42WA-3 49WA 49WA-3 ---4

P24A2 ---5

P31A1 P36A5 P36A5-3 ---6

P48A5 P48A5-3 P60A5 P60A5-3 ---7

MU30A MU36C MU42D ---8

RPMA30 RPMA30-3 RPMA36 RPMA36-3 ---9-10

RPMA42 RPMA42-3 RPMA48 RPMA48-3 ---10A

### WALL MOUNT AND PACKAGED HEAT PUMPS

18WH4 24WH4 ---14

30WH4 30WH4-3 36WH5 36WH5-3 ---15-16

48WH5 48WH5-3 ---17

PH24-2 ---18

PH31-2 PH36-4 PH36-4-3 ---19-20

PH42-1 PH42-1-3 PH48-4 PH48-4-3 PH60-5 PH60-5-3 ---21-22

MH30B MH36B MH42B ---23

RPMH30A RPMH30A-3 RPMH36A RPMH36A-3 ---24-25

RPMH42 RPMH42-3 RPMH48 RPMH48-3 RPMH60 RPMH60-3 ---25A-25B

WPV30 WPVD30 WPV36 WPVD36 ---26



# 1984 Parts List

## Pink Pages

WPV30A WPVD30A WPV36A WPVD36A ---27

WPV53 WPVD53 WPV62 WPVD62 ---28

WPV53A WPVD53A WPV62A WPVD62A ---29

HWP30 HWP36 HWP36 HWP36 ---30

## SPLIT SYSTEMS HEAT PUMPS

18HPQ4 24HPQ4 30HPQ5 30HPQ5-3 36HPQ5 36HPQ5-3 ---11

42HPQ2 42HPQ2-3 48HPQ5 48HPQ5-3 60HPQ5 60HPQ5-3 ---12

WQS30 WQSD30 WQS36 WQSD36 WQS50 WQSD50 ---13

## SPLIT SYSTEM BLOWER COILS

B18EHQ1 B24EHQ1 B30EHQ ---31

B36EHQ1 ---32

BC48A BC60A ---33

## ELECTRIC HEATER PACKAGES

EH3MA-1-5A EH3MA-1-8A EH3MA-1-10A EH3MA-1-15A EH3MA-1-20A ---34

EH3PA-1-5A EH3PA-1-10A EH3PA-1-15A EH3PA-3-9B EH3PA-3-12B EH3PA-3-15B EH3PA-3-9C  
EH3PA-3-12C EH3PA-3-15C ---35

EH5PA-1-5A EH5PA-1-10A EH5PA-1-15A EH5PA-1-20A EH5PA-3-9B EH5PA-3-12B EH5PA-3-15B  
EH5PA-3-18B EH5PA-3-9C EH5PA-3-12C EH5PA-3-15C EH5PA-3-18C ---36

EH5RA-1-5A EH5RA-1-10A EH5RA-1-15A EH5RA-1-20A EH5RA-1-25A EH5RA-3-6B EH5RA-3-9B  
EH5RA-3-12B EH5RA-3-15B EH5RA-3-18B EH5RA-3-21B EH5RA-3-24B EH5RA-3-6C EH5RA-3-9C  
EH5RA-3-12C EH5RA-3-15C EH5RA-3-18C EH5RA-3-21C EH5RA-3-24C ---36A

8604-067 8604-068 8604-069 8604-070 06-1957-01 06-1958-01 06-1959-01 06-1960-01 ---37

## ELECTRIC FURNACES

EFC10-1 EFC10-1-B EFC15-1 EFC20-1 EFC25-1 EFC30-1 ---38



# 1984 Parts List

## Pink Pages

### GAS FURNACES

G101 G125A G152 ---39

G101E EG125A G125AE G152E ---40

IL85D42A IL115D48A IL145D60A IL85D42C IL115D48C IL145D60C ---41

IH60D36A IH85D48A IH115D48A IH60D36B IH85D48B IH115D48B ---44

IC60D36A IC85D42A IC115D48A IC60D36C IC85D42C IC115D48C ---47

H60DA H80DA H80D36A H105A H105DA H105D48A H120A H120D48A H140A H140D48A H160A  
H160D48A H200A H60DB H80DB H80D36B H105B H105DB H105D48B H120B H120D48B ---42

EH60DA EH80DA EH80D36A EH105A EH105DA EH105D48A EH120A EH120D48A EH140A  
EH140D48A EH160A EH160D48A EH200A EH60DB EH80DB EH80D36B EH105B EH105DB  
EH105D48B EH120B EH120D48B ---43

C60DA C80DA C80D36A C105A C105D42A C120A C120D42A C140A C140D48A C160A  
C160D48A ---45

EC60DA EC80DA EC80D36A EC105A EC105D42A EC120A EC120D42A EC140A EC140D48A  
EC160A EC160D48A ---46

SG50D36A SG75D42A SG100D48A SG120D60A SG140D60A ESG50D36A ESG75D42A  
ESG100D48A ESG120D60A ESG140D60A ---48-50

### OIL FURNACES

F81 F97 NB120 C1 C2 F86CF F100CF F86H F120H F120L ---51-52

SO175 SO230 SO350 S0175 S0230 S0350 ---53-54

MSR ---55

OEA ---56

WP20 WP40 ---57

### AIR CLEANERS

EC14 EC20 ---58

### ECONOMIZERS

ECW-2 ECW-3 ECW-4 ---59



# **PARTS LIST**

**Air Conditioners  
Heat Pumps  
Furnaces  
(Gas - Oil - Electric)  
Blower Coils  
Air Cleaners**

EFFECTIVE 9-1-84

## **IMPORTANT**

Retain obsolete parts lists for reference purposes. It is essential to use complete model number and matching parts list to help assure the correct part is shipped.

PARTS LIST  
SPLIT SYSTEM CONDENSING UNITS

4/85

Part No.	Description	18ECQ2	24ECQ4	30ECQ4	31ECQ1	36ECQ5	37ECQ1	37ECQ1-3	42ECQ1	42ECQ1-3	48ECQ2	48ECQ2-3	60ECQ1	60ECQ1-3	37ECQ1-3 460V	42ECQ1-3 460V	48ECQ2-3 460V	60ECQ1-3 460V
8552-044	Capacitor 15/10-370V	x																
8552-007	Capacitor 20/15-370V		x	x	x													
8552-030	Capacitor 40/440V					x			x									
8552-036	Capacitor 70/370V										x							
8552-031	Capacitor 45/440V												x					
8552-026	Capacitor 15/370V								x	x	x	x	x	x		x	x	x
8552-002	Capacitor 5/370V	x	x	x	x	x	x								x			
8000-061	Compressor RES3-0175-PFV	x																
8000-071	Compressor AB225HT		x															
8000-080	Compressor AB233FT			x														
8000-070	Compressor AB233HT				x													
8000-072	Compressor AV144ET					x												
8000-084	Compressor AV135ET						x											
8000-059	Compressor CRJ3-0300-TF5							x										
8000-063	Compressor CRK3-0325-PFV								x									
8000-064	Compressor CRK3-0325-TF5									x								
8000-067	Compressor AG112ET										x							
8000-030	Compressor AG111RT											x						
8000-027	Compressor AG122ET												x					
8000-031	Compressor AG122RT													x				
8000-060	Compressor CRJ3-0300-TFD														x			
8000-065	Compressor CRK3-0325-TFD															x		
8000-047	Compressor AG111UT																x	
8000-048	Compressor AG122UT																	x
5051-011	Condenser Coil	x																
5051-013	Condenser Coil		x															
5051-034	Condenser Coil			x		x												
5051-023	Condenser Coil						x	x							x			
5051-009	Condenser Coil								x	x	x	x				x	x	
5051-024	Condenser Coil												x	x				x
5051-020	Condenser Coil				x													
8401-003	Contactora - Comp. 30A					x			x		x							
8401-002	Contactora - Comp. 25A							x		x		x		x	x	x	x	x
8401-016	Contactora - Comp. 35A												x					
8401-007	Contactora - Comp. 25A	x	x	x	x													
5151-001	Fan Blade TF1839	x	x															
5151-007	Fan Blade TP2029			x	x	x	x								x			
5151-017	Fan Blade FA2430-4B								x	x	x	x	x	x		x	x	x
8103-008	Motor - Fan 1/5 hp	x	x															
8103-009	Motor - Fan 1/5 hp			x	x	x	x											
8105-021	Motor - Fan 1/3 hp								x	x	x	x	x	x		x	x	x
8200-001	Motor Mount - Fan	x	x	x	x	x	x								x			
8200-004	Motor Mount - Fan								x	x	x	x	x	x		x	x	x
8607-002	Terminal Block 230V														x			
8407-003	Transformer - Stepdown															x	x	x
7051-010	Wire Grille - Inlet	x	x															
7051-009	Condenser Grille	x	x															
7051-003	Wire Grille - Inlet			x	x	x	x								x			
7051-001	Condenser Grille			x	x	x	x								x			
7051-004	Wire Grille - Inlet								x	x	x	x	x	x		x	x	x
7051-005	Condenser Grille								x	x	x	x	x	x		x	x	x
* 8103-014	Motor - Fan 1/5 hp														x			

**PARTS LIST**  
**SINGLE PACKAGE AIR CONDITIONERS**

1/85

PART NO.	DESCRIPTION	20WA1	24WA4
5152-030	Blower Housing 9-7	x	x
5152-028	Blower Wheel 9-7	x	x
5152-029	Blower Wheel 9-7	x	x
8552-044	Capacitor 15/10-370V	x	
8552-032	Capacitor 35/370V		x
8552-002	Capacitor 5/370V	x	x
8552-004	Capacitor 7.5/370V	x	x
5811-021	Capillary Tube - Cool	x	
5811-020	Capillary Tube - Cool		x
8000-061	Compressor RES3-0175-PFV-270	x	
8000-090	Compressor H22B233ABCA		x
5051-017	Condenser Coil	x	
5051-036	Condenser Coil		x
8401-007	Contactora - Comp. 25A	x	x
8401-006	Contactora - Heater 2P18	x	x
5060-024	Evaporator Coil	x	x
5151-024	Fan Blade A-1831-5	x	x
7004-006	Filter 14x25	x	x
8604-041	Heat Strip 4Kw	x	x
8604-042	Heat Strip 5Kw	x	x
8604-043	Heat Strip 8Kw	x	x
8604-044	Heat Strip 10Kw	x	x
8402-029	Limit Switch 160°	x	x
8102-008	Motor - Blower 1/6 hp	x	x
8103-015	Motor - Fan 1/5 hp	x	x
8200-023	Motor Mount - Fan	x	x
8201-009	Relay - Blower	x	x
8201-045	Relay - Time Delay		x
5210-002	Strainer	x	x
8607-006	Terminal Board 24V	x	x
8607-013	Terminal Block 230V	x	x
8402-030	Thermal Cut-off	x	x
8407-034	Transformer 40VA	x	x

Minimum Net Billing \$15.00. Supersedes all previous lists.  
Subject to change without notice.

**PARTS LIST**  
**SINGLE PACKAGE AIR CONDITIONERS**

12/84

Part No.	Description	30WA4	30WA4-3	30WA4-3 460V	36WA5	36WA5-3	36WA5-3 460V
5152-030	Blower Housing 9-7	x	x	x	x	x	x
5152-028	Blower Wheel 9-7	x	x	x	x	x	x
5152-029	Blower Wheel 9-7	x	x	x	x	x	x
8552-032	Capacitor 35/370V	x					
8552-028	Capacitor 35/440V				x		
8552-002	Capacitor 5/370V	x	x	x	x	x	x
5811-008	Capillary Tube - Cool	(2)	(2)	(2)			
5811-033	Capillary Tube - Cool				(2)	(2)	(2)
8000-086	Compressor H21A293ABCA	x					
8000-053	Compressor CRG1-0275-TF5		x				
8000-054	Compressor CRG1-0250-TFD			x			
8000-058	Compressor CRJ3-0300-PFV				x		
8000-059	Compressor CRJ3-0300-TF5					x	
8000-060	Compressor CRJ3-0300-TFD						x
5051-035	Condenser Coil	x	x	x	x	x	x
8401-007	Contacto - 1P25A	x			x		
8401-002	Contacto - 3P25A		x	x		x	x
8401-006	Contacto - Heat 2P18A	x	x		x	x	
5060-037	Evaporator Coil	x	x	x	x	x	x
5151-032	Fan Blade F10H9.5-2022 ccw	x	x	x	x	x	x
7004-008	Filter 15 x 30-5/8	x	x	x	x	x	x
8614-006	Fuse - Heater 30A	x			x		
8614-022	Fuse - Compressor 60A	x			x		
8614-017	Fuse Block 15Kw	x			x		
8604-042	Heat Strip 5Kw	x			x		
8604-044	Heat Strip 10Kw	x			x		
8604-047	Heat Strip 15Kw	x	x		x	x	
8604-049	Heat Strip 6Kw		x			x	
8604-048	Heat Strip 9Kw		x			x	
8604-046	Heat Strip 12Kw		x			x	
8604-079	Heat Strip 6Kw			x			x
8604-072	Heat Strip 9Kw			x			x
8604-051	Heat Strip 12Kw			x			x
8604-052	Heat Strip 15Kw			x			x
8402-031	Limit Switch 155°	x	x	x	x	x	x
8105-019	Motor - Blower 1/3 hp	x	x		x	x	
8105-015	Motor - Blower 1/3 hp			x			x
8103-009	Motor - Fan 1/5 hp	x	x		x	x	
8103-014	Motor - Fan 1/5 hp			x			x
8200-001	Motor Mount - Fan	x	x	x	x	x	x
8201-009	Relay - Blower	x	x		x	x	
8201-032	Relay - Blower			x			x
5210-004	Strainer	x	x	x	x	x	x
8607-006	Terminal Board 24V	x	x	x	x	x	x
8607-013	Terminal Block 230V 2 pole	x			x		
8607-014	Terminal Block 3 pole		x	x		x	x
8607-015	Phenolic Insulator			x			x
8407-027	Transformer			x			x
8407-034	Transformer	x	x		x	x	
8402-032	Thermal Cutoff	x	x	x	x	x	x

Minimum net billing \$15.00. Supersedes all previous lists.  
Subject to change without notice. -3-

PARTS LIST  
SINGLE PACKAGE AIR CONDITIONERS

Effective 9-  
Supersedes 6-4-2

PART NO.	DESCRIPTION	42WA	42WA-3	49WA	49WA-3	42WA-3 460V	49WA-3 460V
*	Blower Housing	x	x	x	x	x	x
5152-011	Blower Wheel DD10-8A	x	x	x	x	x	x
5152-012	Blower Wheel DD10-8A	x	x	x	x	x	x
8552-028	Capacitor - Comp. 35/440V	x					
8552-005	Capacitor - Blower	x	x	x	x	x	x
8552-026	Capacitor - Fan	x	x	x	x	x	x
8552-030	Capacitor - Comp. 40/440V			x			
5811-021	Capillary Tube - Cool	(2)	(2)			(2)	
5811-020	Capillary Tube - Cool			(2)	(2)		(2)
8000-058	Compressor CRJ3-0300-PFV-270	x					
8000-059	Compressor CRJ3-0300-TF5-270		x				
8000-063	Compressor CRK3-0325-PFV-270			x			
8000-064	Compressor CRK3-0325-TF5-270				x		
8000-060	Compressor CRJ3-0300-TFD-270					x	
8000-065	Compressor CRK3-0325-TFD-270						x
5051-027	Condenser Coil	x	x			x	
5051-028	Condenser Coil			x	x		x
8401-007	Contacto - Comp. 25A	x					
8401-002	Contacto - 25A		x		x	x	x
8401-006	Contacto - Heater 24V	x	x	x	x		
8401-003	Contacto - Comp. 30A			x			
5060-025	Evaporator Coil	x	x	x	x	x	x
5151-027	Fan Blade B2430-4 ccw	x	x	x	x	x	x
7004-016	Filter 20x30	x	x	x	x	x	x
8614-017	Fuse Block 15Kw	x		x			
8614-018	Fuse Block 20Kw	x		x			
8614-022	Fuse 60A	x		x			
8614-006	Fuse 30A	x		x			
8614-007	Fuse 60A	x		x			
8604-042	Heat Strip 5Kw	x		x			
8604-044	Heat Strip 10Kw	x		x			
8604-047	Heat Strip 15Kw	x	x	x	x		
8604-048	Heat Strip 9Kw		x		x		
8604-046	Heat Strip 12Kw		x		x		
8604-050	Heat Strip 9Kw					x	x
8604-051	Heat Strip 12Kw					x	x
8402-024	Limit Switch L180-4	x	x	x	x	x	x
8106-014	Motor - Blower 1/2 hp	x	x	x	x	x	x
8105-021	Motor - Fan 1/3 hp	x	x	x	x	x	x
8201-009	Relay - Blower	x	x	x	x		
8201-008	Relay - Blower Heat/Cool					x	x
8200-004	Motor Mount - Fan	x	x	x	x	x	x
5210-005	Strainer	x	x	x	x	x	x
8607-005	Terminal Board 24V	x	x	x	x	x	x
* 8607-013	Terminal Block 230V	x		x		x	x
* 8607-014	Terminal Block 230V		x		x	x	
8402-032	Thermal Cuf-off	x	x	x	x	x	x
* 8407-034	Transformer 40VA	x	x	x	x	x	x
8407-004	Transformer - Stepdown					x	x

\* Please order by model number.

\* \* Denotes Change.



PARTS LIST

SINGLE PACKAGE AIR CONDITIONERS

Effective 9-1-84  
Supersedes 8-1-82

PART NO.	DESCRIPTION	P24A2
5152-020	Blower Housing S110-6AT	x
5152-009	Blower Wheel FE-1024-519 ccw	x
8552-007	Capacitor 20/15 370V	x
8552-005	Capacitor 10/370V	x
5811-008	Capillary Tube - Cool	(2)
8000-071	Compressor AB225HT-015-A4	x
5051-025	Condenser Coil	x
7051-009	Condenser Grille	x
8401-007	Contactator 1P25A	x
8401-006	Contactator - Heat 2P18A	x
5060-027	Evaporator Coil	x
5151-024	Fan Blade A-1831-5 ccw	x
8604-042	Heat Strip 5Kw	x
8604-044	Heat Strip 10Kw	x
8402-015	Limit Switch 130°	x
8106-014	Motor - Fan 1/2 hp	x
8201-009	Relay - Blower	x
5210-004	Strainer 3/8 x 2 cap	x
8607-006	Terminal Board 24V	x
* 8607-013	Terminal Block 230V	x
8402-026	Thermal Cut-off	x
* 8407-034	Transformer 40VA	x
7051-006	Wire Grille - Inlet	(2)

Minimum Net Billing \$15.00. Supersedes all previous lists.  
Subject to change without notice.

\*Denotes change

**PARTS LIST**  
**SINGLE PACKAGE AIR CONDITIONERS**

1/85  
Supersedes: 10/84

Part No.	Description	P31A1	P36A5	P36A5-3	P36A5-3 460V
*	Blower Housing	x	x	x	x
5152-013	Blower Wheel DD10-8A		x	x	x
5152-010	Blower Wheel DD10-7A	x			
8552-007	Capacitor - Comp 20/15-370V	x			
8552-035	Capacitor - Comp. 40/370V		x		
8552-002	Capacitor - Fan & Blower 5/370V	x	x	x	x
5811-014	Capillary Tube - Cool	(2)			
5811-033	Capillary Tube - Cool		(2)	(2)	(2)
8000-070	Compressor AB233HT-015-A4	x			
8000-055	Compressor CRH3-0275-TF5-270		x		
8000-056	Compressor CRH3-0275-TF5-270			x	
8000-057	Compressor CRH3-0275-TFD-270				x
5051-035	Condenser Coil	x	x	x	x
8401-007	Contacto - Comp. 1P25A	x	x		
8401-002	Contacto - Comp. 3P25A			x	x
5060-037	Evaporator Coil	x	x	x	x
* 5151-004	Fan Blade TP2026 ccw	x	x	x	x
* 8103-014	Motor - Fan 1/5 hp				x
7051-015	Wire Grille - Inlet	(2)	(2)	(2)	(2)
7051-001	Condenser Grille	x	x	x	x
8105-024	Motor - Blower 1/3 hp ccw	x	x	x	
8103-009	Motor - Fan 1/5 hp cw	x	x	x	
* 8105-016	Motor - Fan 1/3 hp ccw				x
8200-003	Motor Mount - Blower	x	x	x	x
8200-001	Motor Mount - Fan	x	x	x	x
5451-011	Motor Mounting Parts	x	x	x	x
8201-008	Relay - Blower	x	x	x	x
5210-004	Strainer	x	x	x	x
8607-006	Terminal Board 24V	x	x	x	x
8607-013	Terminal Block	x	x		
8607-014	Terminal Block			x	x
8407-034	Transformer 40VA	x	x	x	
8407-027	Transformer 48VA				x

\*Please order by model number

Minimum Net Billing \$15.00. Supersedes all previous lists.  
Subject to change without notice.

PARTS LIST  
SINGLE PACKAGE AIR CONDITIONERS

11/84

Part No.	Description	P48A5	P48A5-3	P60A5	P60A5-3	P48A5-3 460V	P60A5-3 460V
*	Blower Housing 10-10	x	x	x	x	x	x
5152-015	Blower Wheel DD10-10A	x	x	x	x	x	x
8552-030	Capacitor 40/440V	x					
8552-005	Capacitor 10/370V	x	x	x	x	x	x
8552-026	Capacitor 15/370V	x	x			x	
8552-031	Capacitor 45/440V			x			
8552-004	Capacitor 7½/370V			x	x		x
5811-033	Capillary Tube - Cool	(3)	(3)			(3)	
5811-032	Capillary Tube - Cool			(2)	(2)		(2)
8000-081	Compressor AV168ET	x					
8000-082	Compressor AV169RT		x				
8000-083	Compressor AV169TT					x	
8000-027	Compressor AG122ET			x			
8000-031	Compressor AG122RT				x		
8000-048	Compressor AG122UT						x
5051-027	Condenser Coil	x	x			x	
5051-028	Condenser Coil			x	x		x
8401-007	Contactora 1P25A	x					
8401-002	Contactora 3P25A		x			x	x
8401-016	Contactora 1P35A			x			
8401-011	Contactora 3P30A				x		
5060-025	Evaporator Coil	x	x	x	x	x	x
5151-029	Fan Blade T10H08-2436	x	x			x	
5151-030	Fan Blade T10H08-2428			x	x		x
7051-007	Wire Grille - Inlet	(2)	(2)	(2)	(2)	(2)	(2)
7051-005	Condenser Grille	x	x	x	x	x	x
8106-015	Motor - Blower 1/2 hp	x	x	x	x	x	x
8105-021	Motor - Fan 1/3 hp	x	x			x	
8106-016	Motor - Fan 1/2 hp			x	x		x
5451-011	Motor Mounting Parts	x	x	x	x	x	x
8200-004	Motor Mount - Fan	x	x	x	x	x	x
8200-003	Motor Mount - Blower	x	x	x	x	x	x
8201-008	Relay - Blower	x	x	x	x	(2)	(2)
5210-009	Strainer	x	x			x	
5210-005	Strainer			x	x		x
8607-006	Terminal Board 24V	x	x	x	x	x	x
8607-013	Terminal Block	x		x		x	x
8607-014	Terminal Block		x		x	x	x
8407-034	Transformer 40VA	x	x	x	x	x	x
8407-004	Stepdown Transformer					x	x
** 8201-045	Relay - Time Delay			x			

\*Please order by model number.  
Minimum Net Billing \$15.00. Supersedes all previous lists.  
Subject to change without notice.

\*\*Denotes change.

PARTS LIST  
SINGLE PACKAGE AIR CONDITIONERS

9-1-84  
Supersedes 6-1-83

PART NO.	DESCRIPTION	MU30A	MU36C	MU42D
* 5152-013	Blower Housing 10-8	x	x	x
8552-007	Blower Wheel DD10-8A	x	x	x
8552-035	Capacitor 20/15-370V	x		
8552-030	Capacitor 40/370V		x	
8552-002	Capacitor 40/440V			x
5811-031	Capacitor 5/370V	x	x	x
8000-070	Capillary Tube - Cool	(3)	(4)	(4)
8000-055	Compressor AB233HT	x		
8000-063	Compressor CRH3-0275		x	
5051-032	Compressor CRK3-0325			x
8401-007	Condenser Coil	x	x	x
5060-015	Contactator 1P25A	x	x	x
5060-033	Evaporator Coil		x	
5060-030	Evaporator Coil			x
5151-028	Fan Blade Y10H9.5-2028	x	x	x
7051-014	Fan Guard	x	x	x
8105-024	Motor - Blower 1/3 hp	x	x	x
8105-023	Motor - Fan 1/3	x	x	x
8200-003	Motor Mount - Blower	x	x	x
8200-022	Motor Mount - Fan	x	x	x
5451-011	Motor Mounting Parts	x	x	x
5451-009	Motor Mounting Parts	x	x	x
5153-022	Rain Shield	x	x	x
5210-006	Strainer		x	x
5210-003	Strainer	x		
* 8607-013	Terminal Block	x	x	x
8607-006	Terminal Board	x	x	x
* 8407-034	Transformer 40VA	x	x	x
7051-016	Wire Grille	x	x	x
8201-008	Relay - Blower	x	x	x

\*Please order by model number.

\*\*Denotes change

Minimum net billing \$15.00. Supersedes all previous lists.

Subject to change without notice.

PARTS LIST  
SINGLE PACKAGE AIR CONDITIONERS

Effective 9-1-84  
Supersedes 12-9-81

PART NO.	DESCRIPTION	RPMA30	RPMA30-3	RPMA36	RPMA36-3	RPMA30-3 460V	RPMA36-3 460V
*	Blower Housing	x	x	x	x	x	x
5152-005	Blower Wheel DD9-8A	x	x			x	
5152-010	Blower Wheel DD10-7A			x	x		x
8552-032	Capacitor-Comp. 35/370V	x					
8552-033	Capacitor-Comp. 20/370V	x		x			
8552-019	Capacitor - Blower 5/440V	x	x	x	x	x	x
8552-002	Capacitor - Fan 5/370V	x	x	x	x	x	x
8552-035	Capacitor - Comp. 40/370V			x			
5811-031	Capillary Tube	(3)	(3)			(3)	
5811-017	Capillary Tube			(2)	(2)		(2)
8000-042	Compressor 700411-06-0265	x					
8000-053	Compressor CRG1-0250-TF5-270		x				
8000-054	Compressor CRG1-0250-TFD-270					x	
8000-055	Compressor CRH3-0275-PFV-270			x			
8000-056	Compressor CRH3-0275-TF5-270				x		
8000-057	Compressor CRH3-0275-TFD-270						x
5051-023	Condenser Coil	x	x	x	x	x	x
8401-007	Contactors 1P25A	x		x			
8401-002	Contactors 3P25A		x		x	x	x
8401-006	Contactors (Heat)	x	x	x	x		
5060-012	Evaporator Coil	x	x			x	
5060-022	Evaporator Coil			x	x		x
5151-024	Fan Blade A-1831-5 ccw	x	x	x	x	x	x
7051-014	Fan Guard	x	x	x	x	x	x
8614-017	Fuse Block	x		x			
8614-018	Fuse Block	x		x			
8614-006	Fuse OT30	x		x			
8614-007	Fuse OT60	x		x			
8614-022	Fuse TR60	x		x			
8604-023	Heat Strip 5Kw	x		x			
8604-024	Heat Strip 10Kw	x		x			
8604-025	Heat Strip 15Kw	x	x	x	x		
8604-064	Heat Strip 6Kw		x		x		
8604-035	Heat Strip 9Kw		x		x		
8604-036	Heat Strip 12Kw		x		x		
8604-065	Heat Strip 6Kw					x	x
8604-032	Heat Strip 9Kw					x	x
8604-033	Heat Strip 12Kw					x	x
8402-020	Limit Switch 135°-120°	x	x	x	x	x	x
8105-010	Motor - Blower 1/3 hp	x	x	x	x	x	x
8604-034	Heat Strip 15Kw					x	x
8103-007	Motor - Fan 1/5 hp	x	x	x	x	x	x

\*Please order by model number . \*\*Denotes change.

PARTS LIST  
SINGLE PACKAGE AIR CONDITIONERS

Effective 9-1-84  
Supersedes 12 1

PART NO.	DESCRIPTION	RPMA30	RPMA30-3	RPMA36	RPMA36-3	RPMA30-3 460V	RPMA36-3 460V
8200-003	Motor Mount - Blower	X	X	X	X	X	X
8200-022	Motor Mount - Fan	X	X	X	X	X	X
5451-009	Motor Mounting Parts - Fan	X	X	X	X	X	X
5451-011	Motor Mounting Parts	X	X	X	X	X	X
5153-022	Rain Shield	X	X	X	X	X	X
8201-009	Relay - Blower	X	X	X	X	X	X
5210-003	Strainer	X	X			X	
5210-004	Strainer			X	X		X
8607-006	Terminal Board	X	X	X	X	X	X
* 8607-013	Terminal Block	X		X			
* 8607-014	Terminal Block		X		X	X	X
8402-030	Thermal Cutoff	X	X	X	X	X	X
* 8407-034	Transformer 40VA	X	X	X	X	X	X
8407-003	Transformer 1.5 KVA					X	X
7004-015	Filter 24x24x1	X	X	X	X	X	X

\*Denotes Change.

Minimum Net Billing \$15.00. Supersedes all previous lists.

Subject to change without notice.

PARTS LIST  
SINGLE PACKAGE AIR CONDITIONERS

4/85

Part No.	Description	RPMA 42	RPMA 42-3	RPMA 42-3 460V	RPMA 48	RPMA 48-3	RPMA 48-3 460V	RPMA 60	RPMA 60-3	RPMA 60-3 460V
* 5152-014	Blower Housing	x	x	x	x	x	x	x	x	x
5152-049	Blower Wheel 10-9	x	x	x	x	x	x			
	Blower Wheel 10-10							x	x	x
8552-030	Capacitor - Comp. 40/440V				x					
8552-043	Capacitor - Comp. 45/370V							(2)		
8552-004	Capacitor - Blower 7½/370V	x	x	x	x	x	x			
8552-026	Capacitor - Blower/Fan 15/370V	x	x	x	x	x	x	(2)	(2)	(2)
8552-028	Capacitor - Comp. 35/440V	x								
5811-012	Capillary Tube	(4)	(4)	(4)						
5811-007	Capillary Tube				(3)	(3)	(3)			
5811-017	Capillary Tube							(4)	(4)	(4)
8000-058	Compressor CRJ3-0300-PFV	x								
8000-059	Compressor CRJ3-0300-TF5		x							
8000-060	Compressor CRJ3-0300-TFD			x						
8000-081	Compressor AV168ET				x					
8000-082	Compressor AV169RT					x				
8000-083	Compressor AV169TT						x			
8000-074	Compressor AG134ET							x		
8000-075	Compressor AG134RT								x	
8000-049	Compressor AG133UT									x
5051-027	Condenser Coil	x	x	x	x	x	x	x	x	x
8401-007	Contacto 25A 1P	x								
8401-003	Contacto 30A 1P				x					
8401-016	Contacto 35A 1P							x		
8401-002	Contacto 25A 3P		x	x		x	x			x
8401-011	Contacto 30A 3P								x	
5060-030	Evaporator coil	x	x	x						
5060-029	Evaporator coil				x	x	x			
5060-038	Evaporator coil							x	x	x
5151-026	Fan Blade	x	x	x	x	x	x	x	x	x
8106-017	Motor - Blower	x	x	x	x	x	x			
8106-020	Motor - Blower							x	x	x
8106-021	Motor - Fan	x	x	x	x	x	x	x	x	x
8200-003	Motor Mount - Blower	x	x	x	x	x	x	x	x	x
8200-027	Motor Mount - Fan	x	x	x	x	x	x	x	x	x
5451-011	Motor Mounting Parts	x	x	x	x	x	x	x	x	x
5153-022	Rain Shield	x	x	x	x	x	x	x	x	x
8201-008	Relay - Blower	x	x	(2)	x	x	(2)	x	x	(2)
5210-006	Strainer	x	x	x				x	x	x
5210-003	Strainer				x	x	x			
8607-013	Terminal Block	x		x	x		x	x		x
8607-014	Terminal Block		x	x		x	x		x	x
8607-006	Terminal Board	x	x	x	x	x	x	x	x	x
7004-019	Filter 16x30x1	(2)	(2)	(2)	(2)	(2)	(2)	(2)	(2)	(2)
8607-015	Phenolic Insulator			x			x			x
8407-034	Transformer (40VA)	x	x	x	x	x	x	x	x	x
8407-004	Transformer (2KVA)	x			x			x		
7051-017	Condenser Grille	x	x	x	x	x	x	x	x	x

\*Please order by model number.  
Minimum net billing \$15.00. Supersedes all previous lists.  
Subject to change without notice.

PARTS LIST  
SPLIT SYSTEM HEAT PUMPS

485

Part No.	Description	18HPQ4	24HPQ4	30HPQ5	30HPQ5-3	36HPQ5	36HPQ5-3	36HPQ5-3 460V	36HPQ6
5202-001	Accumulator	X							
5202-003	Accumulator		X	X	X				
5202-004	Accumulator					X	X	X	X
8552-002	Capacitor 5/370V	X	X	X	X	X	X	X	X
8552-007	Capacitor 20/15-370V		X						
8552-027	Capacitor 25/370V	X							
8552-030	Capacitor 40/440V					X			
8552-035	Capacitor 40/370V			X					
8552-028	Capacitor 35/440V								X
5811-007	Capillary Tube - Heat	X							
5811-021	Capillary Tube - Heat		X						
5811-020	Capillary Tube - Heat			X	X				X
5811-023	Capillary Tube - Heat					X	X	X	
5651-036	Check Valve	X	X	X	X	X	X	X	X
8000-061	Compressor RES3-0175-PFV-270	X							
8000-071	Compressor AB225HT		X						
8000-052	Compressor CRG1-0250-PFV-270			X					
8000-053	Compressor CRG1-0250-TF5-270				X				
8000-072	Compressor AV144ET					X			
8000-088	Compressor AV145RT						X		
8000-089	Compressor AV145TT							X	
8000-087	Compressor H23A 383ABCA								X
5051-008	Condenser Coil	X	X						
5051-003	Condenser Coil			X	X	X	X	X	X
8401-007	Contactora - Comp. 25A	X	X	X					X
8401-003	Contactora - Comp. 30A					X			
8401-002	Contactora - Comp. 25A				X		X	X	
8408-004	Defrost Mounting Plate	X	X	X	X	X	X	X	X
8408-013	Defrost Thermostat	X	X	X	X	X	X	X	X
5151-001	Fan Blade TF1839	X	X						
5151-007	Fan Blade TF2029			X	X	X	X	X	X
7051-009	Grille - Condenser	X	X						
7051-010	Wire Grille - Inlet	X	X						
7051-001	Grille - Condenser			X	X	X	X	X	X
7051-003	Wire Grille - Inlet			X	X	X	X	X	X
8406-010	High Pressure Switch	X	X	X	X	X	X	X	X
8103-008	Motor - Fan 1/5	X	X						
8103-009	Motor - Fan 1/5			X	X	X	X	X	X
8200-001	Motor Mount - Fan	X	X	X	X	X	X	X	X
5220-008	Muffler - Discharge			X	X	X	X	X	X
8201-047	Relay - Defrost	X	X	X	X	X	X	X	X
8201-015	Relay - Emergency Heat	X	X	X	X	X	X	X	X
8201-024	Relay - Compressor Fault	X	X	X		X			X
5650-004	Reversing Valve	X							
5650-005	Reversing Valve		X						
5650-009	Reversing Valve			X	X				
5650-006	Reversing Valve					X	X	X	X
5650-008	Solenoid Coil	X	X	X	X	X	X	X	X
5210-002	Strainer	X	X	X	X	X	X	X	X
8607-011	Terminal Board	X	X	X	X	X	X	X	X
8612-012	Timer	X	X	X	X	X	X	X	X
8407-003	Transformer - Stepdown							X	
8607-007	Terminal Block							X	

Minimum Net Billing \$15.00. Supersedes all previous lists.  
Subject to change without notice.



**PARTS LIST**  
**SPLIT SYSTEM HEAT PUMPS**

1/85

Part No.	Description	42HPQ2	42HPQ2-3	48HPQ5	48HPQ5-3	60HPQ5	60HPQ5-3	42HPQ2-3 460V	48HPQ5-3 460V	60HPQ5-3 460V
5202-007	Accumulator	x	x					x		
5202-005	Accumulator			x	x	x	x		x	x
8552-030	Capacitor 40/440V	x		x		(2)				
8552-043	Capacitor 45/370V									
8552-026	Capacitor 15/370V	x	x	x	x	x	x	x	x	x
5811-021	Capillary Tube - Heat			(2)	(2)				(2)	
5811-018	Capillary Tube - Heat	(2)	(2)				(2)			
5811-025	Capillary Tube - Heat					(2)	(2)			(2)
8000-072	Compressor AV144ET	x								
8000-088	Compressor AV145RT		x							
8000-081	Compressor AV168ET			x						
8000-082	Compressor AV169RT				x					
8000-074	Compressor AG134ET					x				
8000-075	Compressor AG134RT						x			
8000-089	Compressor AV145TT							x		
8000-083	Compressor AV169TT								x	
8000-049	Compressor AG133UT									x
* 5051-037	Condenser Coil	x	x					x		
5051-029	Condenser Coil			x	x	x	x		x	x
8401-003	Contactator - Comp. 30A	x		x						
8401-002	Contactator - Comp. 25A		x		x			x	x	x
8401-011	Contactator - Comp. 30A						x			
8401-016	Contactator - Comp. 35A					x				
8408-004	Defrost Mounting Plate	x	x	x	x	x	x	x	x	x
8408-013	Defrost Thermostat	x	x	x	x	x	x	x	x	x
5151-017	Fan Blade FA2430-4B	x	x	x	x	x	x	x	x	x
7051-005	Grille - Condenser	x	x	x	x	x	x	x	x	x
7051-004	Wire Grille - Inlet	x	x	x	x	x	x	x	x	x
8406-011	High Pressure Switch	x	x	x	x	x	x	x	x	x
8105-021	Motor - Fan 1/3	x	x	x	x	x	x	x	x	x
8200-004	Motor Mount - Fan	x	x	x	x	x	x	x	x	x
8201-047	Relay - Defrost	x	x	x	x	x	x	x	x	x
8201-024	Relay - Compressor Fault	x		x		x				
5650-006	Reversing Valve	x	x	x	x			x	x	
5650-010	Reversing Valve					x	x			x
5650-008	Solenoid Coil	x	x	x	x	x	x	x	x	x
5210-005	Strainer	x	x	x	x	x	x	x	x	x
8607-007	Terminal Block							x	x	x
8607-011	Terminal Block	x	x	x	x	x	x	x	x	x
8612-012	Timer	x	x	x	x	x	x	x	x	x
8407-003	Transformer - Stepdown							x	x	x
5651-036	Check Valve	x	x	x	x	x	x	x	x	x

Minimum Net Billing \$15.00. Supersedes all previous lists.  
Subject to change without notice.

PARTS LIST  
WATER SOURCE  
SPLIT HEAT PUMPS

Effective 9-1-84  
Supersedes 4-27-83

Part No.	Description	WQS30	WQSD30	WQS36	WQSD36	WQS50	WQSD50
8552-007	Capacitor - Compressor 20/15 -370V	x	x				
8552-035	Capacitor - Compressor 40/370V			x	x		
8552-030	Capacitor - Compressor 40/440V					x	x
5811-033	Capillary Tube - Heating	(2)	(2)				
5811-017	Capillary Tube - Heating			(2)	(2)		
5811-021	Capillary Tube - Heating					(2)	(2)
5651-036	Check Valve	x	x	x	x	x	x
8000-071	Compressor AB225HT-015-A4	x	x				
8000-052	Compressor CRG1-0250-PFV-270			x	x		
8000-072	Compressor AV144ET-001-A4					x	x
5052-001	Condenser Coil	x	x				
5052-002	Condenser Coil			x	x		
5052-007	Condenser Coil					x	x
8401-007	Contactora - Compressor	x	x	x	x	x	x
5052-005	Desuperheater Coil VB-1/3		x		x		
5052-004	Desuperheater Coil VS-1/2						x
8406-016	High Pressure Switch	x	x	x	x	x	x
8406-015	Low Pressure Switch	x	x	x	x	x	x
8201-038	Relay - Staging and Changeover	(2)	(2)	(2)	(2)	(2)	(2)
8201-037	Relay - Lockout	x	x	x	x	x	x
5650-005	Reversing Valve	x	x				
5650-009	Reversing Valve			x	x		
5650-006	Reversing Valve					x	x
5650-008	Reversing Valve Solenoid	x	x	x	x	x	x
5210-004	Strainer - Heating	x	x	x	x		
5210-005	Strainer - Heating					x	x
8607-011	Terminal Board - 24V	x	x	x	x	x	x
8300-001	Water Pump 230V		x		x		x
8408-007	Water Pump Thermostat		x		x		x
5202-009	Accumulator	x	x	x	x		
5202-007	Accumulator					x	x
5650-011	Solenoid Valve GS300		x		x		x

Minimum Net Billing \$15.00. Supersedes all previous lists.  
Subject to change without notice.

**PARTS LIST**  
**SINGLE PACKAGE HEAT PUMPS**

4/85

Part No.	Description	18WH4	24WH4
5202-001	Accumulator	x	
5202-003	Accumulator		x
5152-030	Blower Housing 9-7	x	x
5152-028	Blower Wheel 9-7	x	x
5152-029	Blower Wheel 9-7	x	x
8552-044	Capacitor 15/10-370V	x	x
8552-002	Capacitor 5/370V	x	x
8552-004	Capacitor 7½/370V	x	x
5811-017	Capillary Tube - Cool	x	
5811-018	Capillary Tube - Heat	x	
5811-021	Capillary Tube - Cool & Heat		(2)
5651-036	Check Valve	x	x
8000-061	Compressor RES3-0175-PFV-270	x	
8000-062	Compressor AB224FT-014-A4		x
5051-008	Condenser Coil	x	
5051-026	Condenser Coil		x
8401-007	Contactora - Compressor 25A	x	x
8401-006	Contactora - Heater 2P18	x	x
8408-004	Defrost Mounting Plate	x	x
* 8408-015	Defrost Thermostat	x	x
5060-005	Evaporator Coil	x	
5060-024	Evaporator Coil		x
5151-024	Fan Blade A-1831-5 ccw	x	x
7004-006	Filter 14x25	x	x
8604-041	Heat Strip 4Kw	x	x
8604-043	Heat Strip 8Kw	x	x
8406-011	High Pressure Switch	x	x
8402-029	Limit Switch 160°	x	x
8102-008	Motor - Blower 1/6 hp	x	x
8103-015	Motor - Fan 1/5 hp	x	x
8200-023	Motor Mount - Fan	x	x
8201-009	Relay - Blower	x	x
8201-047	Relay - Defrost	x	x
8201-024	Relay - Compressor Fault	x	x
5650-004	Reversing Valve	x	
5650-009	Reversing Valve		x
5650-008	Solenoid Coil	x	x
5210-002	Strainer	(2)	(2)
8607-010	Terminal Board	x	x
8607-013	Terminal Block 230V	x	x
8402-030	Thermal Cut-off	x	x
8612-012	Timer	x	x
8407-035	Transformer	x	x

Minimum Net Billing \$15.00. Supersedes all previous lists. \*Denotes change.  
Subject to change without notice.

**PARTS LIST**  
**SINGLE PACKAGE HEAT PUMPS**

5/85

Part No.	Description	30WH4	30WH4-3	30WH4-3 460V	36WH5	36WH5-3	36WH5-3 460V
5202-003	Accumulator	x	x	x			
5202-004	Accumulator				x	x	x
5152-030	Blower Housing 9-7	x	x	x	x	x	x
5152-028	Blower Wheel 9-7	x	x	x	x	x	x
5152-029	Blower Wheel 9-7	x	x	x	x	x	x
8552-035	Capacitor 40/370V	x					
8552-002	Capacitor 5/370	x	x	x	x	x	x
8552-028	Capacitor 35/440V				x		
5811-034	Capillary Tube - Cool	(2)	(2)	(2)	(2)	(2)	(2)
5811-016	Capillary Tube - Heat	x	x	x			
5811-020	Capillary Tube - Heat				x	x	x
5651-036	Check Valve	x	x	x	x	x	x
* 8000-052	Compressor CRC3-0250-PFV	x					
* 8000-053	Compressor CRC3-0250-TF5		x				
* 8000-054	Compressor CRC3-0250-TFD			x			
8000-087	Compressor H23A383ABCA				x		
8000-059	Compressor CRJ3-0300-TF5					x	
8000-060	Compressor CRJ3-0300-TFD						x
5051-003	Condenser Coil	x	x	x	x	x	x
8401-007	Contacto- Comp. 1P25A	x			x		
8401-002	Contacto- Comp. 3P25A		x	x		x	x
8401-006	Contacto - Heater 2P20	x	x		x	x	
8408-004	Defrost Mounting Plate	x	x	x	x	x	x
8408-015	Defrost Thermostat	x	x	x	x	x	x
5060-023	Evaporator Coil	x	x	x	x	x	x
5152-032	Fan Blade F10H9.5-2022 ccw	x	x	x	x	x	x
7004-008	Filter 15x30-5/8 x 1	x	x	x	x	x	x
8614-006	Fuse 30A	x			x		
8614-022	Fuse 60A	x			x		
8614-007	Fuse 60A	x			x		
8614-018	Fuse Block 15Kw	x			x		
8614-017	Fuse Block 60-30	x			x		
8604-042	Heat Strip 5Kw	x			x		
8604-044	Heat Strip 10Kw	x			x		
8604-047	Heat Strip 15Kw	x			x		
8604-049	Heat Strip 6Kw		x			x	
8604-048	Heat Strip 9Kw		x			x	
8604-079	Heat Strip 6Kw			x			x
8604-072	Heat Strip 9Kw			x			x

Minimum net billing \$15.00. Supersedes all previous lists.  
Subject to change without notice.

**PARTS LIST**  
**SINGLE PACKAGE HEAT PUMPS**

12/84

Part No.	Description	30WH4	30WH4-3	30WH4-3 460V	36WH5	36WH5-3	36WH5-3 460V
8406-010	High Pressure Switch	x	x	x	x	x	x
8402-031	High Limit Switch 155°	x	x	x	x	x	x
8105-019	Motor - Blower 1/3 hp	x	x		x	x	
8105-015	Motor - Blower 1/3 hp			x			x
8103-009	Motor - Fan 1/5 hp	x	x		x	x	
8103-014	Motor - Fan 1/5 hp			x			x
8200-001	Motor Mount - Fan	x	x	x	x	x	x
8201-009	Relay - Blower	x	x		x	x	
8201-032	Relay - Blower			x			x
8201-024	Relay - Compressor Fault	x			x		
8201-047	Relay - Defrost	x	x	x	x	x	x
8201-013	Relay - Emergency Heat	x	x	x	x	x	x
8607-015	Phenolic Insulator			x			x
5650-005	Reversing Valve	x	x	x			
5650-013	Reversing Valve				x	x	x
5650-008	Solenoid Coil	x	x	x	x	x	x
5210-004	Strainer	x	x	x	x	x	x
5210-002	Strainer	x	x	x	x	x	x
8607-010	Terminal Board 24V	x	x	x	x	x	x
8607-013	Terminal Block 2 Pole	x			x		
8607-014	Terminal Block 3 pole		x	x		x	x
8402-032	Thermal Cutoff	x	x	x	x	x	x
8612-012	Timer	x	x	x	x	x	x
8407-035	Transformer	x	x		x	x	
8407-037	Transformer 480-24V			x			x

Minimum Net Billing \$15.00. Supersedes all previous lists.  
Subject to change without notice.

PARTS LIST  
SINGLE PACKAGE HEAT PUMPS

10/84

Part No.	Description	48WH5	48WH5-3	48WH5-3 460V
5202-005	Accumulator	x	x	x
5152-026	Blower Housing 10-8	x	x	x
5152-011	Blower Wheel DD10-8A	x	x	x
5152-012	Blower Wheel DD10-8A	x	x	x
8552-030	Capacitor 40/440V	x		
8552-026	Capacitor 15/370V	x	x	x
8552-005	Capacitor 10/370V	x	x	x
5811-026	Capillary Tube - Heat	(2)	(2)	(2)
5811-021	Capillary Tube - Cool	(2)	(2)	(2)
5651-036	Check Valve	x	x	x
8000-081	Compressor AV168ET	x		
8000-082	Compressor AV169RT		x	
8000-083	Compressor AV169TT			x
5051-029	Condenser Coil	x	x	x
8401-003	Contactator - Comp. 30A	x		
8401-002	Contactator - Comp. 25A		x	x
8401-006	Contactator - Heater 20A	x	x	
8401-010	Contactator - 2P30A (12-15kw)		x	
8408-004	Defrost Mounting Plate	x	x	x
8408-012	Defrost Thermostat	x	x	x
5060-025	Evaporator Coil	x	x	x
5151-027	Fan Blade F12H9.5-2430	x	x	x
7004-016	Filter 20x30	x	x	x
8614-007	Fuse - Heater 60A	x	x	
8614-022	Fuse - Compressor 60A	x		
8614-006	Fuse - 30A	x	x	
8614-018	Fuse Block 10Kw	x		
8614-014	Fuse Block 25Kw	x		
8614-019	Fuse Block 30Kw	x		
8604-044	Heat Strip 10Kw	x		
8604-048	Heat Strip 9Kw		x	
8604-046	Heat Strip 12Kw		x	
8604-047	Heat Strip 15Kw	x	x	
8604-050	Heat Strip 9Kw			x
8604-051	Heat Strip 12Kw			x
8604-052	Heat Strip 15Kw			x
8406-010	High Pressure Switch	x	x	x
8402-024	Limit Switch L180-4	x	x	x
8106-014	Motor - Blower 1/2 hp	x	x	x
8105-021	Motor - Fan 1/3 hp	x	x	x
8200-004	Motor Mount Fan	x	x	x
8201-008	Relay - Blower	x	x	x
8201-024	Relay - Compressor Fault	x		
8201-047	Relay - Defrost	x	x	x
8201-013	Relay - Emergency Heat	x	x	x
5650-006	Reversing Valve	x	x	x
5650-008	Solenoid Coil	x	x	x
5210-005	Strainer	(2)	(2)	(2)
8607-010	Terminal Board 24V	x	x	x
8607-013	Terminal Block 230V	x		x
8607-014	Terminal Block 230V		x	x
8402-032	Thermal Cutoff	x	x	x
8612-012	Timer	x	x	x
8407-035	Transformer	x	x	x
8407-004	Transformer - Stepdown			x
8607-015	Phenolic Insulator			x
8614-033	Fuse OT-45		x	
8614-024	Fuse TR45		x	
8614-032	Fuse OT-40		x	
8614-021	Fuse Block 9Kw 3-Ph		x	
8614-020	Fuse Block 12, 15, 18Kw 3-ph		x	

Minimum Net Billing \$15.00. Supersedes all previous lists. Subject to change without notice.

PARTS LIST  
SINGLE PACKAGE HEAT PUMP

2/85

PART NO.	DESCRIPTION	PH24-2
5202-003	Accumulator	x
5152-020	Blower Housing SI110-6AT	x
5152-009	Blower Wheel FE-1024-519 ccw	x
8552-007	Capacitor - Comp. 20/15 - 370V	x
8552-005	Capacitor - Blower 10/370V	x
5811-012	Cap Tube - Cool	(2)
* 5811-001	Cap Tube - Heat	(3)
5651-036	Check Valve	x
5051-030	Condenser Coil	x
8000-071	Compressor AB225HT-015-A4	x
8401-007	Contactator 1P25A	x
8401-006	Contactator - Heat 24V - 2P18	x
8408-004	Defrost Mounting Plate	x
8408-014	Defrost Thermostat	x
5060-027	Evaporator Coil	x
5151-024	Fan Blade A-1831-5	x
8614-006	Fuse 30A 10Kw	(2)
8614-022	Fuse 60A 10Kw	(2)
8614-017	Fuse Block 10Kw	x
7051-009	Grille - Condenser	x
7051-006	Grille - Inlet	(2)
8604-042	Heat Strip 240V 5Kw	x
8604-044	Heat Strip 240V 10Kw	x
8406-010	High Pressure Switch	x
8402-015	Limit Switch L130-2.0	x
8106-014	Fan Motor 1/2 hp	x
8201-009	Relay - Blower SPDT	x
8201-031	Relay - Compressor Fault	x
8201-047	Relay - Defrost	x
5650-009	Reversing Valve	x
5650-008	Reversing Valve Solenoid Coil 24V	x
5210-004	Strainer 3/8 x 2 cap	x
5210-003	Strainer 3/8 x 3 cap	x
8607-010	Terminal Board	x
8607-013	Terminal Block 2 pole	x
8402-026	Thermal Cutoff	x
8612-012	Timer 30/60 Min. w/7 Min time safe override	x
8407-035	Transformer 55VA	x

Minimum Net Billing \$15.00. Supersedes all previous lists.  
Subject to change without notice.

**PARTS LIST**  
**SINGLE PACKAGE HEAT PUMPS**

5/85

PART NO.	DESCRIPTION	PH31-2	PH36-4	PH36-4-3	PH36-4-3 460v
5202-003	Accumulator	x			
5202-004	Accumulator		x	x	x
*	Blower Housing 10-8	x	x	x	x
5152-013	Blower Wheel DD10-8A	x	x	x	x
8552-002	Capacitor - Fan & Blower 5/370	(2)	(2)	(2)	(2)
8552-035	Capacitor - Comp. 40/370V	x			
8552-028	Capacitor - Comp. 35/440V		x		
5811-034	Capillary Tube - Heat	x			
5811-034	Capillary Tube - Cool	(2)	(2)	(2)	(2)
5811-021	Capillary Tube - Heat		x	x	x
5651-036	Check Valve	x	x	x	x
5051-003	Condenser Coil	x	x	x	x
* 8000-052	Compressor CRG3-0250-PFV-270	x			
8000-058	Compressor CRJ3-0250-PFV-270		x		
8000-059	Compressor CRJ3-0300-TF5-270			x	
8000-060	Compressor CRJ3-0300-TFD-270				x
8401-007	Contactora - Compressor 1P25A	x	x		
8401-002	Contactora - Compressor			x	x
8408-004	Defrost Mounting Plate	x	x	x	x
8408-012	Defrost Thermostat	x	x	x	x
5060-037	Evaporator Coil	x			
5060-023	Evaporator Coil		x	x	x
5151-004	Fan Blade TP2026 cw	x	x	x	x
8103-014	Motor - Fan 1/5 hp				x
7051-001	Condenser Grille	x	x	x	x
7051-015	Wire Grille - Inlet	(2)	(2)	(2)	(2)
8604-010	High Pressure Switch	x	x	x	x
8105-016	Motor - Blower - 1/3 hp ccw				x
8105-024	Motor - Blower 1/3 hp ccw	x	x	x	
8103-009	Motor - Fan 1/5 hp	x	x	x	
8200-003	Motor Mount - Blower	x	x	x	x
8200-001	Motor Mount - Fan	x	x	x	x
5451-011	Motor Mounting Parts	x	x	x	x
8201-008	Relay - Blower	x	x	x	
8201-032	Relay - Blower				x
8201-024	Relay - Compressor Fault	x	x		
8201-047	Relay - Defrost	x	x	x	x
8201-013	Relay - Emergency Heat	x	x	x	x

\*Please order by model number.



**PARTS LIST  
SINGLE PACKAGE HEAT PUMPS**

6/84

PART NO.	DESCRIPTION	PH31-2	PH36-4	PH36-4-3	PH36-4-3 460v
5650-005	Reversing Valve	x			
5650-013	Reversing Valve		x	x	x
5650-008	Solenoid Coil	x	x	x	x
5210-004	Strainer	x	x	x	x
5210-002	Strainer	x	x	x	x
8607-010	Terminal Board 24V	x	x	x	x
8607-013	Terminal Block 230V	x	x		
8607-014	Terminal Block 230V			x	x
8612-012	Timer	x	x	x	x
8407-035	Transformer	x	x	x	x
8407-037	Transformer - Stepdown				x

Minimum net billing \$15.00. Supersedes all previous lists.  
Subject to change without notice.

PARTS LIST  
SINGLE PACKAGE HEAT PUMPS

6/84

Part No.	Description	PH42-1	PH42-1-3	PH48-4	PH48-4-3	PH60-5	PH60-5-3	PH42-1-3 460V	PH48-4-3 460V	PH60-5-3 460V
5202-005	Accumulator	x	x	x	x			x	x	
5202-008	Accumulator					x	x			x
*	Blower Housing	x	x	x	x	x	x	x	x	x
5152-045	Blower Wheel 10-9	x	x					x		
5152-015	Blower Wheel DD10-10A			x	x	x	x		x	x
8552-030	Capacitor - Comp. 40/440V	x		x						
8552-005	Capacitor - Blower 10/370V	x	x	x	x	x	x	x	x	x
8552-026	Capacitor - Fan 15/370V	x	x	x	x			x	x	
8552-004	Capacitor - Fan 7½/370V					x	x			x
8552-043	Capacitor - Comp. 45/370V					(2)				
5811-016	Capillary Tube - Cool	(2)	(2)					(2)		
5811-019	Capillary Tube - Heat	(2)	(2)					(2)		
5811-020	Capillary Tube - Cool			(2)	(2)				(2)	
5811-027	Capillary Tube - Heat			(2)	(2)				(2)	
5811-027	Capillary Tube - Cool					(2)	(2)			(2)
5811-032	Capillary Tube - Heat					(2)	(2)			(2)
5651-036	Check Valve	x	x	x	x	x	x	x	x	x
5051-029	Condenser Coil	x	x	x	x	x	x	x	x	x
8000-063	Compressor CRK3-0325-PFV-270	x								
8000-064	Compressor CRK3-0325-TF5-270		x							
8000-065	Compressor CRK3-0325-TFD-270							x		
8000-081	Compressor AV168ET-005-A4			x						
8000-082	Compressor AV169RT-012-A4				x					
8000-083	Compressor AV169TT-013-A4								x	
8000-074	Compressor AG134ET-002-A4					x				
8000-075	Compressor AG134RT-002-A4						x			
8000-049	Compressor AG133UT-003-A4									x
8401-007	Contactors R8242A1008	x								
8401-002	Contactors 30D0-30		x		x			x	x	x
8401-003	Contactors R8243A1007			x						
8401-016	Contactors R8243A1189					x				
8401-011	Contactors 30E0-30						x			
8408-004	Defrost Mounting Plate	x	x	x	x	x	x	x	x	x
8408-012	Defrost Thermostat	x	x	x	x	x	x	x	x	x
5060-025	Evaporator Coil	x	x	x	x	x	x	x	x	x
5151-029	Fan Blade T10H08-2436 ccw	x	x	x	x			x	x	
5151-030	Fan Blade T10H08-2428 ccw					x	x			x
7051-005	Condenser Grille	x	x	x	x	x	x	x	x	x
7051-007	Wire Grille - Inlet	(2)	(2)	(2)	(2)	(2)	(2)	(2)	(2)	(2)

Please order by model number.

**PARTS LIST**  
**SINGLE PACKAGE HEAT PUMPS**

4/85

Part No.	Description	PH42-1	PH42-1-3	PH48-4	PH48-4-3	PH60-5	PH60-5-3	PH42-1-3 460V	PH48-4-3 460V	PH60-5-3 460V
8406-010	High Pressure Switch	x	x	x	x	x	x	x	x	x
8106-015	Motor - Blower 1/2 hp	x	x	x	x	x	x	x	x	x
8105-021	Motor - Fan 1/3 hp	x	x	x	x			x	x	
8106-016	Motor - Fan 1/2 hp					x	x			x
8200-003	Motor Mount - Blower	x	x	x	x	x	x	x	x	x
8200-004	Motor Mount - Fan	x	x	x	x	x	x	x	x	x
5451-011	Motor Mounting Parts	x	x	x	x	x	x	x	x	x
8201-008	Relay - Blower	x	x	x	x	x	x	x	x	x
8201-024	Relay - Compressor Fault	x		x		x				
8201-047	Relay - Defrost	x	x	x	x	x	x	x	x	x
8201-013	Relay - Emergency Heat	x	x	x	x	x	x	x	x	x
5650-006	Reversing Valve	x	x	x	x			x	x	
5650-010	Reversing Valve					x	x			x
5650-008	Reversing Valve Solenoid Coil	x	x	x	x	x	x	x	x	x
5210-005	Strainer	(2)	(2)	(2)	(2)	(2)	(2)	(2)	(2)	
8607-010	Terminal Board	x	x	x	x	x	x	x	x	x
8607-013	Terminal Block	x		x		x		x	x	x
8607-014	Terminal Block		x		x		x	x	x	x
8612-012	Timer 30/60 Min.	x	x	x	x	x	x	x	x	x
8407-035	Transformer	x	x	x	x		x	x	x	x
8407-004	Transformer - Stepdown							x	x	x
8201-045	Relay - Time Delay					x				
8407-036	Transformer					x				
* 8614-036	Circuit Breaker					x				

Minimum net billing \$15.00. Supersedes all previous lists.  
Subject to change without notice.  
\*Denotes change.

PARTS LIST  
SINGLE PACKAGE HEAT PUMPS

8/84

PART NO.	DESCRIPTION	MH30B	MH36B	MH42B
202-003	Accumulator	x		
5202-004	Accumulator		x	
5202-005	Accumulator			x
*	Blower Housing 10-8	x	x	x
5152-013	Blower Wheel DD10-8A	x	x	x
8552-007	Capacitor 20/15-370V	x		
8552-028	Capacitor 35/440V		x	
8552-030	Capacitor 40/440V			x
8552-002	Capacitor 5/370V	(2)	(2)	(2)
5811-008	Capillary Tube - Heat	(2)		(2)
5811-033	Capillary Tube - Heat		(2)	
5811-001	Capillary Tube - Cool	(4)	(4)	
5811-012	Capillary Tube - Cool			(4)
5651-036	Check Valve	x	x	x
5051-033	Condenser Coil	x	x	
5051-031	Condenser Coil			x
8000-080	Compressor AB233FT	x		
8000-058	Compressor CRJ1-0300		x	
8000-081	Compressor AV168ET			x
8401-007	ContactoR R8242A1008	x	x	
8408-004	Defrost Mounting Plate	x	x	x
8408-012	Defrost Thermostat	x	x	x
5060-030	Evaporator Coil	x		x
5060-033	Evaporator Coil		x	
151-028	Fan Blade Y10H9.5-2028	x	x	x
051-014	Fan Guard	x	x	x
8406-022	High Pressure Switch	x	x	x
8105-024	Motor - Blower 1/3 hp	x	x	x
8105-023	Motor - Fan 1/3 hp	x	x	x
8200-003	Motor Mount - Blower	x	x	x
8200-022	Motor Mount - Fan	x	x	x
5451-009	Motor Mounting Parts	x	x	x
5451-011	Motor Mounting Parts	x	x	x
8201-008	Relay - Blower	x	x	x
8201-047	Relay - Defrost	x	x	x
8201-013	Relay - Emergency Heat	x	x	x
5650-005	Reversing Valve	x		
5650-009	Reversing Valve		x	
5650-006	Reversing Valve			x
5650-012	Solenoid Coil	x	x	x
5210-006	Strainer	x	x	x
5210-004	Strainer	x	x	x
8607-013	Terminal Block 2 pole	x	x	x
8607-010	Terminal Board	x	x	x
8612-012	Timer	x	x	x
8407-035	Transformer	x	x	x
7051-016	Wire Grille	x	x	x
5153-022	Rain Shield	x	x	x
8401-003	ContactoR 1P30A			x

Minimum net billing \$15.00. Supersedes all previous lists.

Subject to change without notice.

\*Please order by model number.

PARTS LIST  
SINGLE PACKAGE HEAT PUMPS

8/84

PART NO.	DESCRIPTION	RPMH30A	RPMH30A-3	RPMH36A	RPMH36A-3	RPMH30A-3 460V	RPMH36A 460V
5202-003	Accumulator	x	x	x			
5202-004	Accumulator				x	x	x
*	Blower Housing 10-8	x	x	x	x	x	x
5152-010	Blower Wheel DD10-7A	x	x	x	x	x	x
8552-035	Capacitor 40/370V	x		x			
8552-019	Capacitor 5/440V	x	x	x	x	x	x
8552-002	Capacitor 5/370V	x	x	x	x	x	x
5811-033	Capillary Tube - Cool	(2)	(2)	(2)	(2)	(2)	(2)
5811-020	Capillary Tube - Heat	x	x	x	x	x	x
8000-052	Compressor - CRG1-0250-PFV-270	x					
8000-053	Compressor - CRG1-0250-TF5-270		x				
8000-054	Compressor - CRG1-0250-TFD-270					x	
8000-055	Compressor - CRH3-0275-PFV-270			x			
8000-056	Compressor - CRH3-0275-TF5-270				x		
8000-057	Compressor - CRH3-0275-TFD-270						x
5051-003	Condenser Coil	x	x	x	x	x	x
8401-007	Contactator 1P25A	x		x			
8401-002	Contactator 3P25A		x		x	x	y
8401-006	Contactator 2P20	x	x	x	x		
8408-004	Defrost Mounting Plate	x	x	x	x	x	x
8408-012	Defrost Thermostat	x	x	x	x	x	x
5060-022	Evaporator Coil	x	x	x	x	x	x
5151-024	Fan Blade A-1831-5	x	x	x	x	x	x
7051-014	Fan Guard	x	x	x	x	x	x
8614-006	Fuse OT30	x		x			
8614-007	Fuse OT60	x		x			
8614-022	Fuse TR60	x		x			
8614-017	Fuse Block	x		x			
8614-018	Fuse Block	x		x			
8604-023	Heat Strip 5Kw	x		x			
8604-024	Heat Strip 10Kw	x		x			
8604-025	Heat Strip 15Kw	x		x			
8604-064	Heat Strip 6Kw		x		x		
8604-035	Heat Strip 9Kw		x		x		
8604-036	Heat Strip 12Kw		x		x		
8604-065	Heat Strip 6Kw					x	x
8604-032	Heat Strip 9Kw					x	x
8604-033	Heat Strip 12Kw					x	x
8406-011	High Pressure Switch	x	x	x	x	x	x
8402-020	Limit Switch 135° - 120°	x	x	x	x	x	x
8105-010	Motor - Blower 1/3 hp	x	x	x	x	x	x
8103-007	Motor - Fan 1/5 hp	x	x	x	x	x	x

\*Please order by model number.

PARTS LIST  
SINGLE PACKAGE HEAT PUMPS

10/84

PART NO.	DESCRIPTION	RPMH30A	RPMH30A-3	RPMH36A	RPMH36A-3	RPMH30A-3 460V	RPMH36A-3 460V
5651-036	Check Valve	x	x	x	x	x	x
8200-003	Motor Mount - Blower	x	x	x	x	x	x
8200-022	Motor Mount - Fan	x	x	x	x	x	x
5451-011	Motor Mounting Parts	x	x	x	x	x	x
5451-009	Motor Mounting Parts - Fan	x	x	x	x	x	x
5153-022	Rain Shield	x	x	x	x	x	x
8201-009	Relay - Blower	x	x	x	x	x	x
8201-013	Relay - Emergency Heat	x	x	x	x		
8201-047	Relay - Defrost	x	x	x	x	x	x
8201-031	Relay - Compressor Fault	x		x			
5650-005	Reversing Valve	x	x			x	
5650-006	Reversing Valve			x	x		x
5650-012	Solenoid Coil	x	x	x	x	x	x
5210-004	Strainer	x	x	x	x	x	x
5210-002	Strainer	x	x	x	x	x	x
8607-010	Terminal Board	x	x	x	x	x	x
8607-013	Terminal Block	x		x			
8607-014	Terminal Block		x		x	x	x
8407-030	Thermal Cutoff	x	x	x	x	x	x
8407-012	Timer w/7 Min. Time Safe	x	x	x	x	x	x
8407-035	Transformer	x	x	x	x	x	x
8407-003	Transformer - Stepdown 1.5 KVA					x	x
8607-015	Phenolic Insulator					x	x

Minimum Net Billing \$15.00. Supersedes all previous lists. Subject to change without notice.

**PARTS LIST**  
**SINGLE PACKAGE HEAT PUMPS**

4/85

Part No.	Description	RPMH42	RPMH42-3	RPMH42-3 460V	RPMH48	RPMH48-3	RPMH48-3 460V	RPMH60	RPMH60-3	RPMH60-3 460V
5202-005	Accumulator	x	x	x	x	x	x			
5202-008	Accumulator							x	x	x
*	Blower Housing	x	x	x	x	x	x	x	x	x
5152-014	Blower Wheel 10-9	x	x	x	x	x	x			
5152-049	Blower Wheel 10-10							x	x	x
8552-030	Capacitor - Comp. 40/440V	x			x					
8552-043	Capacitor - Comp. 45/370V							(2)		
8552-004	Capacitor - Blower 7½/370V	x	x	x	x	x	x			
8552-026	Capacitor - Blower/Fan 15/370V	x	x	x	x	x	x	(2)	(2)	(2)
5811-010	Capillary Tube - Cool	(3)	(3)	(3)						
5811-036	Capillary Tube - Cool				(4)	(4)	(4)			
5811-033	Capillary Tube - Cool							(4)	(4)	(4)
5811-020	Capillary Tube - Heat	(2)	(2)	(2)						
5811-026	Capillary Tube - Heat				(2)	(2)	(2)			
5811-023	Capillary Tube - Heat							(2)	(2)	(2)
8000-072	Compressor - AV144ET	x								
8000-088	Compressor - AV145RT		x							
8000-089	Compressor - AV145TT			x						
8000-081	Compressor - AV168ET				x					
8000-082	Compressor - AV169RT					x				
8000-083	Compressor - AV169TT						x			
8000-074	Compressor - AG134ET							x		
8000-075	Compressor - AG134RT								x	
8000-049	Compressor - AG133UT									x
5051-037	Condenser Coil	x	x	x						
5051-029	Condenser Coil				x	x	x	x	x	x
8401-007	Contactora 25A1P	x								
8401-003	Contactora 30A1P				x					
8401-016	Contactora 35A1P							x		
8401-002	Contactora 25A3P		x	x		x	x			x
8401-011	Contactora 30A3P								x	
5651-036	Check Valve	x	x	x	x	x	x	x	x	x
8408-004	Defrost Mounting Plate	x	x	x	x	x	x	x	x	x
8408-012	Defrost Thermostat	x	x	x	x	x	x	x	x	x
5060-029	Evaporator Coil	x	x	x						
5060-038	Evaporator Coil				x	x	x	x	x	x
5151-026	Fan Blade	x	x	x	x	x	x	x	x	x
7004-019	Filter 16x30x1	(2)	(2)	(2)	(2)	(2)	(2)	(2)	(2)	(2)
7051-017	Grille - Condenser	x	x	x	x	x	x	x	x	x
8406-022	High Pressure Switch	x	x	x	x	x	x	x	x	x
8106-017	Motor - Blower	x	x	x	x	x	x			
8106-020	Motor - Blower							x	x	x

\*Please order by model number.

**PARTS LIST**  
**SINGLE PACKAGE HEAT PUMPS**

4/85

Part No.	Description	RPMH42	RPMH42-3	RPMH42-3 460V	RPMH48	RPMH48-3	RPMH48-3 460V	RPMH60	RPMH60-3	RPMH60-3 460V
8106-021	Motor - Fan	x	x	x	x	x	x	x	x	x
8200-003	Motor Mount - Blower	x	x	x	x	x	x	x	x	x
8200-027	Motor Mount - Fan	x	x	x	x	x	x	x	x	x
5451-011	Motor Mounting Parts	x	x	x	x	x	x	x	x	x
5153-022	Rain Shield	x	x	x	x	x	x	x	x	x
8201-008	Relay - Blower	x	x	(2)	x	x	(2)	x	x	(2)
8201-047	Relay - Defrost	x	x	x	x	x	x	x	x	x
8201-024	Relay - Compressor Fault	x			x			x		
8201-013	Relay - Emergency Heat	x	x	x	x	x	x	x	x	x
5650-006	Reversing Valve	x	x	x	x	x	x			
5650-010	Reversing Valve							x	x	x
5650-012	Reversing Valve Solenoid Coil	x	x	x	x	x	x	x	x	x
8607-015	Phenolic Insulator			x			x			x
5210-003	Strainer	x	x	x						
5210-006	Strainer				x	x	x	x	x	x
5210-005	Strainer	x	x	x	x	x	x	x	x	x
607-013	Terminal Block	x		x	x		x	x		x
8607-014	Terminal Block		x	x		x	x		x	x
8607-010	Terminal Board	x	x	x	x	x	x	x	x	x
8612-012	Timer	x	x	x	x	x	x	x	x	x
8407-035	Transformer 55VA	x	x	x	x	x	x	x	x	x
8407-004	Transformer 2KVA			x			x			x

Minimum net billing \$15.00. Supersedes all previous lists.  
Subject to change without notice.



PARTS LIST

WATER SOURCE  
PACKAGE HEAT PUMPS

Effective 11-21-84  
Supersedes 9-1-84

PART NO.	DESCRIPTION	WPV30	WPVD30	WPV36	WPVD36
5152-046	Blower Assembly	x	x	x	x
8552-035	Capacitor 40 MFD - 370V 2" Round			x	x
8552-007	Capacitor 20/15 MFD - 370V 2" Oval	x	x		
8552-002	Capacitor - Blower 5MFD 370V	x	x	x	x
5811-034	Capillary Tube - Heating	(2)	(2)		
5811-016	Capillary Tube - Heating			(2)	(2)
5811-012	Capillary Tube - Cooling	(3)	(3)		
5811-014	Capillary Tube - Cooling			(3)	(3)
5651-036	Check Valve	x	x	x	x
8000-071	Compressor AB225HT-015-A4	x	x		
8000-052	Compressor CRG1-0250-PFV-270			x	x
5052-001	Condenser Coil	x	x		
5052-002	Condenser Coil			x	x
8401-007	Contactator - Compressor	x	x	x	x
5052-005	Desuperheater Coil		x		x
5060-012	Evaporator Coil	x	x	x	x
7004-017	Filter 22 x 22 x 1	x	x	x	x
8406-016	High Pressure Switch	x	x	x	x
8406-015	Low Pressure Switch	x	x	x	x
8105-010	Motor - Blower 1/3 hp	x	x	x	x
8200-003	Motor Mount	x	x	x	x
5451-011	Motor Mounting Parts	x	x	x	x
8201-008	Relay - Blower	x	x	x	x
8201-034	Relay - Lockout	x	x	x	x
5650-005	Reversing Valve	x	x		
5650-009	Reversing Valve			x	x
5650-008	Reversing Valve Solenoid	x	x	x	x
5210-003	Strainer-Cooling	x	x	x	x
5210-004	Strainer-Heating	x	x	x	x
8607-011	Terminal Board 24V	x	x	x	x
8407-035	Transformer	x	x	x	x
8300-001	Water Pump		x		x
8408-007	Water Pump Thermostat		x		x
8201-015	Emergency Heat Relay	x	x	x	x
5650-011	Solenoid Valve GS300		x		x
<b>OPTIONAL ITEMS:</b>					
8604-067	Duct Heater 4.8Kw	x	x	x	x
8604-068	Duct Heater 9.6Kw	x	x	x	x
8604-069	Duct Heater 15.0Kw	x	x	x	x
8604-070	Duct Heater 19.2Kw	x	x	x	x
* 8603-010	Constant flow valve 4 GPM	x	x		
* 8603-011	Constant flow valve 5 GPM			x	x
* 8603-006	Solenoid valve 24V	x	x	x	x

Minimum Net Billing \$15.00. Supersedes all previous lists. \*Denotes change  
Subject to change without notice.

**PARTS LIST**  
**WATER SOURCE**  
**PACKAGE HEAT PUMPS**

5/85

Part No.	Description	WPV30A	WPVD30A	WPV36A	WPVD36A
5152-046	Blower Assembly	x	x	x	x
8552-035	Capacitor 40/370V 2" round			x	x
8552-007	Capacitor 20/15-370V 2" oval	x	x		
8552-002	Capacitor - blower 5/370V	x	x	x	x
8000-071	Compressor AB225HT-015-A4	x	x		
* 8000-052	Compressor CRG3-0250-PFV-270			x	x
5052-001	Condenser Coil	x	x		
5052-002	Condenser Coil			x	x
8401-007	Contactora - Compressor	x	x	x	x
5052-005	Desuperheater Coil		x		x
5060-012	Evaporator Coil	x	x	x	x
5651-041	Expansion Valve	x	x	x	x
7004-017	Filter 22x22x1	x	x	x	x
8406-016	High Pressure Switch	x	x	x	x
8105-010	Motor - Blower 1/3 hp	x	x	x	x
8200-003	Motor Mount	x	x	x	x
5451-011	Motor Mounting Parts	x	x	x	x
8201-008	Relay - Blower	x	x	x	x
8201-034	Relay - Lockout	x	x	x	x
5650-005	Reversing Valve	x	x		
5650-009	Reversing Valve			x	x
5650-008	Reversing Valve Solenoid	x	x	x	x
5210-010	Strainer	(2)	(2)	(2)	(2)
8607-011	Terminal Board 24V	x	x	x	x
8407-035	Transformer	x	x	x	x
8300-001	Water Pump		x		x
8408-007	Water Pump Thermostat		x		x
8201-015	Emergency Heat Relay	x	x	x	x
5650-011	Solenoid Valve GS300		x		x
8408-005	Comp. Terminating Thermostat	x	x	x	x
<b>OPTIONAL ITEMS</b>					
8604-067	Duct Heater 4.8Kw	x	x	x	x
8604-068	Duct Heater 9.6Kw	x	x	x	x
8604-069	Duct Heater 15.0Kw	x	x	x	x
8604-070	Duct Heater 19.2Kw	x	x	x	x
8603-010	Constant Flow Valve 4 GPM	x	x		
8603-011	Constant Flow Valve 5 GPM			x	x
8603-006	Solenoid Valve 24V	x	x	x	x

Minimum net billing \$15.00. Supersedes all previous lists.  
 Subject to change without notice.

\*Denotes change.

PARTS LIST  
WATER SOURCE  
PACKAGE HEAT PUMPS

Supersedes 11-2-84  
9-1-84

PART NO.	DESCRIPTION	WPV53	WPVD53	WPV62	WPVD62
5202-004 *	Accumulator	x	x		
	Blower Housing 10-7	x	x	x	x
5152-010	Blower Wheel DD10-7A	x	x	x	x
8552-030	Capacitor - Comp. 40MFD-440V 2½"Round	x	x		
8552-036	Capacitor - Comp. 70MFD-370V 2½"Round			x	x
8552-004	Capacitor - Blower 7.5 MFD 370V, 1½" Oval	x	x	x	x
5811-017	Capillary Tube - Cooling	(3)	(3)		
5811-034	Capillary Tube - Heating	(3)	(3)		
5811-027	Capillary Tube - Cooling & Heating			(6)	(6)
5651-036	Check Valve	x	x	x	x
8000-072	Compressor AV144ET-001-A4	x	x		
8000-068	Compressor AG123ET-002-A4			x	x
5052-006	Condenser Coil - Cupro Nickel	x	x		
5052-007	Condenser Coil - Cupro Nickel			x	x
8401-007	Contactator - Compressor	x	x		
8401-003	Contactator - Compressor			x	x
5052-005	Desuperheater Coil		x		x
5060-029	Evaporator Coil	x	x	x	x
5202-007	Accumulator			x	x
7004-018	Filter 1 x 25 x 25	x	x	x	
8406-016	High Pressure Switch	x	x	x	x
8406-015	Low Pressure Switch	x	x	x	x
8106-017	Motor - Blower 1/2 hp	x	x	x	x
8200-003	Motor Mount	x	x	x	x
5451-011	Motor Mounting Parts	x	x	x	x
8201-008	Relay - Blower	x	x	x	x
8201-015	Relay - Emergency Heat	x	x	x	x
8201-034	Relay - Impedance	x	x	x	x
5650-006	Reversing Valve	x	x	x	x
5650-008	Reversing Valve	x	x	x	x
5650-011	Solenoid Valve		x		x
5210-009	Strainer	(2)	(2)	(2)	(2)
8607-011	Terminal Block	x	x	x	x
8406-020	Toggle Switch		x		x
8407-035	Transformer	x	x	x	x
8300-001	Water Pump		x		x
8408-007	Water Pump T-Stat		x		x
<b>OPTIONAL ITEMS:</b>					
8604-067	Duct Heater 4.8 Kw	x	x	x	x
8604-068	Duct Heater 9.6 Kw	x	x	x	x
8604-069	Duct Heater 15.0 Kw	x	x	x	x
8604-070	Duct Heater 19.2 Kw	x	x	x	x
* 8603-007	Constant flow valve 6 GPM	x	x		
* 8603-008	Constant flow valve 8 GPM			x Note	x Nr
* 8603-006	Solenoid Valve 24V	x	x	x	

Note: (2) 8 GPM flow valves for units operating below 50° entering water temperature.

\*Please order by model number.

Minimum net billing \$15.00. Supersedes all previous lists.

Subject to change without notice.

**PARTS LIST**  
**WATER SOURCE**  
**PACKAGE HEAT PUMPS**

11/84

Part No.	Description	WPV53A	WPVD53A	WPV62A	WPVD62A
*	Blower Housing 10-7	x	x	x	x
5152-010	Blower Wheel DD10-7A	x	x	x	x
8552-030	Capacitor-Comp. 40/440V 2½"Rnd	x	x		
8552-036	Capacitor-Comp. 70/370V 2½"Rnd			x	x
8552-004	Capacitor-Blower 7½/370V 1½Oval	x	x	x	x
8000-072	Compressor - AV144ET-001-A4	x	x		
8000-068	Compressor AG123ET-002-A4			x	x
5052-006	Condenser Coil	x	x		
5052-007	Condenser Coil			x	x
8401-007	Contactator - Compressor	x	x		
8401-003	Contactator - Compressor			x	x
5052-005	Desuperheater Coil		x		x
5060-029	Evaporator Coil	x	x	x	x
5651-046	Expansion Valve	x	x	x	x
7004-018	Filter 25x25x1	x	x	x	x
8401-016	High Pressure Switch	x	x	x	x
8106-017	Motor - Blower 1/2 hp	x	x	x	x
8200-003	Motor Mount	x	x	x	x
5451-011	Motor Mounting Parts	x	x	x	x
8201-008	Relay - Blower	x	x	x	x
8201-015	Relay - Emergency Heat	x	x	x	x
8201-034	Relay - Impedance	x	x	x	x
5650-006	Reversing Valve	x	x	x	x
5650-008	Reversing Valve	x	x	x	x
5650-011	Solenoid Valve		x		x
5210-010	Strainer	(2)	(2)	(2)	(2)
8607-011	Terminal Block	x	x	x	x
8406-020	Toggle Switch		x		x
8407-035	Transformer	x	x	x	x
8300-001	Water Pump		x		x
8408-007	Water Pump Thermostat		x		x
8408-005	Comp. Terminating Thermostat	x	x	x	x
<b>OPTIONAL ITEMS</b>					
8604-067	Duct Heater 4.8Kw	x	x	x	x
8604-068	Duct Heater 9.6 Kw	x	x	x	x
8604-069	Duct Heater 15.0Kw	x	x	x	x
8604-070	Duct Heater 19.2Kw	x	x	x	x
** 8603-007	Constant flow valve 6 GPM	x	x		
** 8603-008	Constant flow valve 8 GPM			x	x
** 8603-006	Solenoid Valve 24V	x	x	x	x

\*Please order by model number.  
 Minimum Net Billing \$15.00. Supersedes all previous lists.  
 Subject to change without notice.

\*\*Denotes change.

**PARTS LIST  
PACKAGED HORIZONTAL  
WATER SOURCE HEAT PUMPS**

5/85

PART NO.	DESCRIPTION	HWP30	HWPD30	HWP36	HWPD36
900-050	Blower Assembly Complete	x	x	x	x
5152-047	Blower Wheel DD10-6	x	x	x	x
8552-007	Capacitor -Comp. 20/15 - 370V	x	x		
8552-035	Capacitor-Comp. 40/370V			x	x
8552-025	Capacitor - Blower 7.5/440V	x	x	x	x
8000-071	Compressor AB225HT	x	x		
* 8000-052	Compressor CRG3-0250			x	x
5052-001	Condenser Coil	x	x		
5052-001	Condenser Coil			x	x
8401-007	Contactora - Compressor	x	x	x	x
5052-004	Desuperheater Coil		x		x
5060-034	Evaporator Coil	x	x	x	x
8406-016	High Pressure Switch	x	x	x	x
8406-015	Low Pressure Switch	x	x	x	x
8105-022	Motor - Blower 1/3 PSC	x	x	x	x
8200-003	Motor Mount	x	x	x	x
8201-008	Relay - Blower	x	x	x	x
8201-015	Relay - Emergency Heat	x	x	x	x
8201-034	Relay - Lockout	x	x	x	x
5650-009	Reversing Valve			x	x
5650-008	Reversing Valve	x	x	x	x
5650-005	Reversing Valve	x	x		
5650-011	Solenoid Valve		x		x
5210-010	Strainer	(2)	(2)	(2)	(2)
8607-011	Terminal Block	x	x	x	x
5651-041	Thermostat Expansion Valve	x	x	x	x
8300-001	Water Pump		x		x
8408-007	Water Pump Thermostat		x		x
8406-020	Toggle Switch		x		x
8407-035	Transformer 55VA	x	x	x	x
<b>OPTIONAL ITEMS:</b>					
8604-067	Duct Heater 4.8 Kw	x	x	x	x
8604-068	Duct Heater 9.6 Kw	x	x	x	x
8604-069	Duct Heater 15.0 Kw	x	x	x	x
8604-070	Duct Heater 19.2 Kw	x	x	x	x
8603-006	Solenoid Valve	x	x	x	x
8603-010	Constant Flow Valve 4 GPM	x	x		
8603-011	Contant Flow Valve 5 GPM			x	x

Minimum Net Billing \$15.00. Supersedes all previous lists.  
Subject to change without notice.

PARTS LIST  
SPLIT SYSTEM BLOWER COILS

8/84

Part No.	Description	B 18EHQ1	B 24EHQ1	B 30EHQ
*	Blower Housing 10-4	x	x	x
5152-008	Blower Wheel DD10-4A	x	x	x
8552-002	Capacitor 5/370V	x	x	x
5811-035	Capillary Tube	(3)		
5811-001	Capillary Tube		(3)	
5811-010	Capillary Tube			(3)
5651-036	Check Valve	x	x	x
8401-006	Contactora - Heater 20A	x	x	x
5060-016	Evaporator Coil	x		
5060-028	Evaporator Coil		x	x
7004-003	Filter 12x20	x	x	x
8604-027	Heat Strip 4Kw	x	x	x
8604-023	Heat Strip 5Kw	x	x	x
8604-026	Heat Strip 8Kw	x	x	x
8604-024	Heat Strip 10Kw	x	x	x
8604-025	Heat Strip 15Kw	x	x	x
8402-029	Limit Switch L160-2.5	x		
8402-028	Limit Switch L150-2.5		x	x
8103-012	Motor - Blower 1/5	x	x	x
8200-003	Motor Mount	x	x	x
5451-011	Motor Mounting Parts	x	x	x
8201-009	Relay - Blower	x	x	x
8201-045	Relay - Time Delay		x	
5210-003	Strainer	x	x	x
8607-010	Terminal Block	x	x	x
8607-013	Terminal Block	x	x	x
8402-027	Thermal Cut-off	x	x	x
8407-035	Transformer	x	x	x

\*Order by model number.

Minimum Net Billing \$15.00. Supersedes all previous lists.  
Subject to change without notice.

**PARTS LIST**  
**SPLIT SYSTEM BLOWER COIL**

4/85

PART NO.	DESCRIPTION	B36EHQ1
*	Blower Housing 10-9	x
5152-014	Blower Wheel DD10-9A	x
8552-025	Capacitor 7½ - 440V	x
5811-010	Capillary Tube	(3)
5651-036	Check Valve	x
8401-006	Contactator - Heater 20A	x
5060-012	Evaporator Coil	x
7004-017	Filter 22x22	x
8614-006	Fuse - Heater 30A	x
8614-007	Fuse - Heater 60A	x
8614-017	Fuse Block 15Kw	x
8614-014	Fuse Block 25Kw	x
8614-019	Fuse Block 30Kw	x
8614-018	Fuse Block 20Kw	x
* 8614-036	Circuit Breaker	x
8604-024	Heat Strip 10Kw	x
8604-025	Heat Strip 15Kw	x
8604-035	Heat Strip 9Kw	x
8604-036	Heat Strip 12Kw	x
8604-032	Heat Strip 9Kw 460V	x
8402-022	Limit Switch L145-2.5	x
8105-022	Motor - Blower 1/3	x
8200-003	Motor Mount	x
5451-011	Motor Mounting Parts	x
8201-009	Relay - Blower	x
8201-045	Relay - Time Delay	x
5210-003	Strainer	x
8607-013	Terminal Block	x
8607-014	Terminal Block 3-Ph	x
8607-010	Terminal Block	x
8402-025	Thermal Cut-off	x
8407-036	Transformer	x
8407-003	Transformer 9Kw 460V 3-Ph	x

\*Please order by model number.

Minimum Net Billing \$15.00. Supersedes all previous lists.  
Subject to change without notice.

PARTS LIST  
SPLIT SYSTEM BLOWER COILS

4/85

PART NO.	DESCRIPTION	BC48A	BC60A
*	Blower Housing 10-10	x	x
5152-015	Blower Wheel 10-10	x	x
8552-002	Capacitor 5/370V	x	x
5811-009	Capillary Tube	(4)	
5811-002	Capillary Tube		(8)
5651-036	Check Valve	x	x
8401-006	Contactator - Heater 20A	x	x
8401-010	Contactator - Heat 3-Ph	x	x
8401-001	Contactator - Heat 3-Ph	x	x
5060-020	Evaporator Coil	x	
5060-032	Evaporator Coil		x
7004-015	Filter 24x24	x	x
8614-006	Fuse - Heater 30A	x	x
8614-007	Fuse - Heater 60A	x	x
8614-035	Fuse - Heater 35A 3-Ph	x	x
8614-033	Fuse - Heater 45A 3-Ph	x	x
8614-032	Fuse - Heater 40A 3-Ph	x	x
8614-017	Fuse Block 15Kw	x	x
8614-014	Fuse Block 25Kw	x	x
8614-019	Fuse Block 30Kw	x	x
8614-018	Fuse Block 20Kw	x	x
8614-020	Fuse Block 30Kw 3-Ph	x	x
* 8614-036	Circuit Breaker	x	x
8604-024	Heat Strip 10Kw	x	x
8604-025	Heat Strip 15Kw	x	x
8604-035	Heat Strip 9Kw	x	x
8604-036	Heat Strip 12Kw	x	x
8604-032	Heat Strip 9Kw 460V	x	x
8604-033	Heat Strip 12Kw 460V	x	x
8402-033	Limit Switch L140-2.5	x	x
8106-013	Motor-Blower 1/2 hp	x	x
8200-003	Motor Mount	x	x
5451-011	Motor Mounting Parts	x	x
8201-014	Relay - Blower	x	x
8201-013	Relay - Emergency Heat	x	x
8201-045	Relay - Time Delay	x	x
5210-006	Strainer	x	x
8607-013	Terminal Block	x	x
8607-014	Terminal Block 3-Ph	x	x
8607-010	Terminal Block	x	x
8402-025	Thermal Cutoff	x	x
8407-036	Transformer	x	x
8407-003	Transformer 9Kw 460V 3-Ph	x	x
8607-015	Phenolic Insulator 460V	x	x

\*Please order by model number.

Minimum Net Billing \$15.00. Supersedes all previous lists.

Subject to change without notice.



4/85

PARTS LIST OPTIONAL ELECTRIC HEAT PACKAGES						
PART NO.	DESCRIPTION	EH3MA-1-5A	EH3MA-1-8A	EH3MA-1-10A	EH3MA-1-15A	EH3MA-1-20A
8401-006	Contactor 2P20	(1)	(1)	(1)	(2)	(2)
8614-006	Fuse 0T 30				(2)	
8614-007	Fuse 0T 60				(2)	(4)
8614-017	Fuse Block				x	
8614-018	Fuse Block					x
8604-023	Heat Strip 5Kw	x				
8604-024	Heat Strip 10Kw			x		(2)
8604-025	Heat Strip 15Kw				x	
8402-011	Limit Switch	x	x	x	x	x
8201-008	Heating Blower Relay	x	x	x	x	x
8607-013	Terminal Block	x	x	x		
8402-030	Thermal Cutoff	(1)	(2)	(2)	(3)	(4)
8604-026	Heat Strip 8Kw		x			

Minimum net billing \$15.00. Supersedes all previous lists.  
Subject to change without notice.

9/84

PARTS LIST										
OPTIONAL ELECTRIC HEAT PACKAGES										
Part No.	Description	EH3PA-1-5A	EH3PA-1-10A	EH3PA-1-15A	EH3PA-3-9B	EH3PA-3-12B	EH3PA-3-15B	EH3PA-3-9C 460V	EH3PA-3-12C 460V	EH3PA-3-15C 460V
8401-006	Contactor 2P20	(1)	(1)	(2)	(1)	(1)	(2)			
8401-002	Contactor 3P25A							(1)	(1)	(1)
8614-017	Fuse Block			x						
8614-006	Fuse 30A			(2)						
8614-007	Fuse 60A			(2)						
8607-013	Terminal Block	x	x							
8607-014	Terminal Block				x	x	x	x	x	x
8402-026	Thermal Cut-off	(1)	(2)	(3)	(2)	(3)	(3)	(2)	(3)	(3)
8402-012	Limit Switch	x	x	x	x	x	x	x	x	x
8201-032	Blower Relay							x	x	x
8201-008	Blower Relay	x	x	x	x	x	x			
8604-042	Heat Strip 5Kw 240v	x								
8604-044	Heat Strip 10Kw 240v		x							
8604-047	Heat Strip 15Kw 240v			x			x			
8604-048	Heat Strip 9Kw 240v				x					
8604-046	Heat Strip 12Kw 240v					x				
8604-072	Heat Strip 9Kw 480v						x			
8604-051	Heat Strip 12Kw 480v								x	
8604-052	Heat Strip 15kw 480v									x

PARTS LIST													
OPTIONAL ELECTRIC HEAT PACKAGES													
Part No.	Description	EH5PA-1-5A	EH5PA-1-10A	EH5PA-1-15A	EH5PA-1-20A	EH5PA-3-9B	EH5PA-3-12B	EH5PA-3-15B	EH5PA-3-18B	EH5PA-3-9C 460V	EH5PA-3-12C 460V	EH5PA-3-15C 460V	EH5PA-3-18C 460V
8401-006	Contactor 2P20A	(1)	(1)	(2)	(2)	(1)	(2)	(2)	(2)				
8401-002	Contactor 3P25A									(1)	(1)	(1)	(2)
8614-017	Fuse Block			(1)									
8614-018	Fuse Block				(1)								
8402-025	Thermal Cutoff	(1)	(2)	(3)	(4)	(2)	(3)	(3)	(4)	(2)	(3)	(3)	(4)
8201-008	Blower Relay	x	x	x	x	x	x	x	x	x	x	x	x
8607-013	Terminal Block	x	x										
8607-014	Terminal Block					x	x	x	x	x	x	x	x
8614-006	Fuse 30A			(2)									
8614-007	Fuse 60A			(2)	(4)								
8402-012	Limit Switch	x	x	x	x	x	x	x	x	x	x	x	x
8604-042	Heat Strip 5kw	x											
8604-044	Heat Strip 10kw		x		(2)								
8604-047	Heat Strip 15kw			x				x					
8604-046	Heat Strip 12kw						x						
8604-048	Heat Strip 9kw					x			(2)				
8604-072	Heat Strip 9kw									x			(2)
8604-051	Heat Strip 12kw										x		
8604-052	Heat Strip 15kw											x	

**PARTS LIST**  
**OPTIONAL ELECTRIC HEATER PACKAGE**

4/85

Part No.	Description	EH5RA-1-5A	EH5RA-1-10A	EH5RA-1-15A	EH5RA-1-20A	EH5RA-1-25A	EH5RA-3-6B	EH5RA-3-9B	EH5RA-3-12B	EH5RA-3-15B	EH5RA-3-18B	EH5RA-3-21B	EH5RA-3-24B	EH5RA-3-6C	EH5RA-3-9C	EH5RA-3-12C	EH5RA-3-15C	EH5RA-3-18C	EH5RA-3-21C	EH5RA-3-24C
8401-006	Contactor 2P20	1	2	2	3	3														
8401-002	Contactor 3P25A						x	x	x		x	x	x	x	x	x	x	x	x	x
8401-011	Contactor 3P30A									x										
8401-006	Contactor 2P20A										x	x	x	x	x	x	x	2	2	2
8614-006	Fuse OT30			2	2	2														
8614-007	Fuse OT60			2	4	4														
8614-032	Fuse OT40											3	6							
8614-006	Fuse OT30											3								
8614-017	Fuse Block			x																
8614-018	Fuse Block				x															
8614-025	Fuse Block					x														
8614-021	Fuse Block											x								
8614-020	Fuse Block												x							
8604-023	Heat Strip 5Kw 240v	x																		
8604-024	Heat Strip 10Kw 240v		x		2	x														
8604-025	Heat Strip 15Kw 240v			x		x														
8604-064	Heat Strip 6Kw 240v						x				x									
8604-035	Heat Strip 9Kw 240v							x				x								
8604-036	Heat Strip 12Kw 240v								x		x	x	2							
8604-025	Heat Strip 15Kw 240v									x										
8604-065	Heat Strip 6Kw 480v													x				x		
8604-032	Heat Strip 9Kw 480v															x			x	x
8604-033	Heat Strip 12Kw 480v															x		x	x	
8604-034	Heat Strip 15Kw 480v																x			x
8402-020	Limit Control	x	x	x	x	x	x	x	x	x	x	x	x	x	x	x	x	x	x	x
8607-015	Phenolic Insulator													2	2	2	2	2	2	2
8607-013	Terminal Block	2	2	1																
8607-014	Terminal Block						2	2	2	2	2	1	1	2	2	2	2	2	2	2
8402-032	Thermal Cutoff	1	2	3	4	5	3	3	3	3	6	6	6	3	3	3	3	6	6	6
8607-016	Terminal Block				1	1														

**PARTS LIST**  
**DUCT HEATERS**

6-14-84

Part No.	Description	8604-067 06-1957-01 (4.8 Kw)	8604-068 06-1958-01 (9.6 Kw)	8604-069 06-1959-01 (15 Kw)	8604-070 06-1960-01 (19.2 Kw)
8604-073	Heater Assembly	x			
8604-074	Heater Assembly		x		
8604-075	Heater Assembly			x	
8604-076	Heater Assembly				x
8401-006	Heater Contactor	(1)	(1)	(2)	(2)
8201-014	Relay - Blower			x	x
8402-014	Limit Switch	x	x	x	x
8402-041	Manual Reset Therm.	x	x	x	x
8614-018	Fuse Block			x	x
8614-032	Fuse (40A)			(4)	
8614-007	Fuse (60A)				(4)
8607-013	Term. Block (240V)	(2)	(2)	(1)	(1)

PARTS LIST  
ELECTRIC FURNACES

9/84

Part No.	Description	EFC10-1	EFC10-1-B	EFC15-1	EFC20-1	EFC25-1	EFC30-1
*	Blower Housing 10-8	x					
*	Blower Housing 10-7		x	x	x		
*	Blower Housing 10-9					x	x
5152-005	Blower Wheel DD9-8A	x					
5152-010	Blower Wheel DD10-7A		x	x	x		
5152-014	Blower Wheel DD10-9A					x	x
1171-011	Cabinet Latch	(2)	(2)	(2)	(2)	(2)	(2)
8552-001	Capacitor 4/370V		x	x	x		
8552-002	Capacitor 5/370V					x	x
8401-006	Contactor	(1)	(1)	(2)	(1)	(3)	(2)
8401-002	Contactor				x		x
1171-002	Door Pull	x	x	x	x	x	x
7004-001	Filter 10x20	(2)					
7003-001	Filter 10x20 P		(2)	(2)	(2)	(2)	(2)
8614-007	Fuse 60A			(2)	(4)	(4)	(6)
8614-006	Fuse 30A			(2)		(2)	
8614-017	Fuse Block 15Kw			x			
8614-013	Fuse Block 20Kw				x		
8614-014	Fuse Block 25Kw					x	
8614-019	Fuse Block 30Kw						x
8604-014	Heat Strip 10Kw	x	x		(2)	x	
8604-015	Heat Strip 15Kw					x	(2)
8402-015	Limit Switch L130-2.0	(2)	(2)	(3)	(4)	(5)	(6)
8102-003	Motor 1/6 hp	x					
8105-012	Motor 1/3 hp		x	x	x		
8105-010	Motor 1/3 hp					x	x
8200-003	Motor Mount	x	x	x	x	x	x
5451-011	Motor Mounting Parts	x	x	x	x	x	x
8201-014	Relay - Blower	x	x	x	x	x	x
8607-006	Terminal Board 24V	x	x	x	x	x	x
8607-013	Terminal Block 230V	x	x				
8402-018	Thermal Cutoff	(2)	(2)	(3)	(4)	(5)	(6)
8407-034	Transformer	x	x	x			
8407-035	Transformer				x	x	x

\*Please order by model number.

Minimum Net Billing \$15.00. Supersedes all previous lists.  
Subject to change without notice.

PARTS LIST  
LO-BOY GAS FURNACES

2-1-84  
Supersedes 1-9-84

PART NO.	DESCRIPTION	G101	G125A	G152
5153-012	Bearings 3/4"	x	x	x
5601-005	Belt 40"	x	x	
5601-001	Belt 36"			x
9010-014	Burner Venturi	x	x	
9010-002	Burner Venturi			x
5153-018	Collar 3/4"	x	x	x
5153-014	Cushion - Bearing	x	x	x
1171-003	Door Handles	x	x	x
1171-002	Door Pull	x	x	x
8402-007	Fan and Limit 8"	x		
8402-001	Fan and Limit 11"		x	x
7004-012	Filter 20 x 20	x		
7004-013	Filter 20 x 25		x	
7004-011	Filter 16 x 25			(2)
5451-001	Grommet - Blower Leg	x	x	x
9041-001	Heat Exchanger	x		
9041-002	Heat Exchanger		x	
9041-003	Heat Exchanger			x
*	Housing - Blower 10-10	x	x	
*	Housing - Blower 12-10			x
8406-013	Micro Switch	x	x	x
8102-001	Motor 1/6 hp	x		
8104-002	Motor 1/4 hp		x	
8105-002	Motor 1/3 hp			x
5153-006	Motor Adj. Kit	x	x	x
8200-016	Motor Mount	x	x	x
9010-006	Orifice Nat. #13 LP#34	x	x	x
8554-002	Pilot Burner - Nat.	x	x	x
5501-012	Pulley - Blower 6 x 3/4	x	x	x
5501-015	Pulley - Motor 3-1/4 x 1/2	x	x	x
1912-001	Shaft - Blower 15-1/4 x 3/4	x	x	x
8554-004	Thermocouple	x	x	x
8407-006	Transformer	x	x	x
5651-034	Valve - Nat. 1/2 x 3/4	x	x	x
5153-002	Washer - Neoprene	x	x	x
5152-006	Wheel - Blower 10-10	x	x	
5152-022	Wheel - Blower 11-10			x
** 1921-011	Front Plate Gasket	x	x	
** 1921-013	Front Plate Gasket			x
** 1921-008	2" Dia. Clean-out Gasket	(4)	(2)	(4)
** 8620-007	Clean-out Plug Kit	(4)	(2)	(4)

\*Please order by model number.

\*\*Denotes change

Minimum net billing \$15.00. Supersedes all previous lists.

Subject to change without notice.

PARTS LIST  
ELECTRIC IGNITION  
LO-BOY GAS FURNACES

2-1-84  
Supersedes 1-9-84

PART NO.	DESCRIPTION	G101E	EG125A	G152E	
5153-012	Bearings 3/4"	x	x	x	
5601-005	Belt 40"	x	x		
5601-001	Belt 36"			x	
9010-014	Burner Venturi	x	x		
9010-002	Burner Venturi			x	
5153-018	Collar 3/4"	x	x	x	
5153-014	Cushion - Bearing	x	x	x	
1171-003	Door Handles	x	x	x	
1171-002	Door Pull	x	x	x	
8402-007	Fan and Limit 8"	x			
8402-001	Fan and Limit 11"		x	x	
7004-012	Filter 20x20	x			
7004-013	Filter 20x25		x		
7004-011	Filter 16x25			(2)	
5451-001	Grommet - Blower Leg	x	x	x	
9041-001	Heat Exchanger	x			
9041-002	Heat Exchanger		x		
9041-003	Heat Exchanger			x	
*	Housing - Blower 10-10	x	x		
*	Housing - Blower 12-10			x	
8600-005	Ignition Wire	x	x		
8600-006	Ignition Wire			x	
8406-013	Micro Switch	x	x	x	
5651-024	Module S86C1007	x	x	x	
8102-001	Motor 1/6 hp	x			
8104-002	Motor 1/4 hp		x		
8105-002	Motor 1/3 hp			x	
5153-006	Motor Adj. Kit	x	x	x	
8200-016	Motor Mount	x	x	x	
9010-006	Orifice Nat #13 LP #34	x	x	x	
8554-009	Pilot & Orifice Nat - .020 LP .014	x	x	x	
5501-012	Pulley - Blower 6 x 3/4	x	x	x	
5501-015	Pulley - Motor 3-1/4 x 1/2	x	x	x	
1912-001	Shaft - Blower 15-1/4 x 3/4	x	x	x	
8407-025	Transformer	x	x	x	
5651-035	Valve - Nat 1/2 x 3/4	x	x	x	
5153-002	Washer - Neoprene	x	x	x	
5152-006	Wheel - Blower 10-10	x	x		
5152-022	Wheel - Blower 11-10			x	
**	1921-011	Front Plate Gasket	x	x	
**	1921-013	Front Plate Gasket			x
**	1921-008	2" Dia. Clean-out Gasket	(4)	(2)	(2)
**	8620-007	Cleanout Plug Kit	(4)	(2)	(2)

\*Please order by model number.

\*\*Denotes change.

Minimum net billing \$15.00. Supersedes all previous lists.

Subject to change without notice.



**PARTS LIST**  
**HIGH ECONOMY GAS FURNACE**  
**Lo-Boy**

3/85

Part No.	Description	IL85D42A, C	IL115D48A, C	IL145D60A, C
8552-002	Capacitor 5/370V	x		
8552-004	Capacitor 7.5/370V		x	
8552-026	Capacitor 15/370V			x
8402-043	Fan and Limit 8"	x	x	
8402-042	Fan and Limit 11"			x
7003-014	Filter - 18-3/4 x 20 P	x	x	
7003-015	Filter - 22-3/4 x 20 P			x
7003-016	Filter - 13 x 20 P			x
9041-033	Heat Exchanger	x		
9041-034	Heat Exchanger		x	
9041-035	Heat Exchanger			x
*	Housing - Blower 10-9	x		
*	Housing - Blower 10-10		x	
8600-002	Ignition Wire	x	x	x
8109-001	Induced Draft Blower	x	x	x
5818-002	Manifold NS3	x		
5818-003	Manifold NS4		x	
5818-004	Manifold NS5			x
8406-013	Micro Switch	x	x	x
8105-009	Motor 1/3 hp	x		
8106-018	Motor 1/2 hp		x	
8107-004	Motor 3/4 hp			x
8200-003	Motor Mount	x	x	
8200-026	Motor Mount			x
5451-011	Motor Mounting Parts	x	x	
9010-010	Orifice - Nat	x	x	x
8554-009	Pilot and Orifice - Nat	x	x	x
5651-024	Ignition Module	x	x	x
8406-021	Pressure Switch	x	x	x
* 8201-048	Relay - DPST	x	x	x
8201-006	Fan Relay w/Trans.	x	x	x
5651-023	Valve - Nat. 1/2 x 3/4	x	x	x
9010-016	Venturi 3 Cell	x		
9010-017	Venturi 4 Cell		x	
9010-018	Venturi 5 Cell			x
5152-014	Wheel DD10-9A (blower)	x		
5152-015	Wheel DD10-10A (blower)		x	
5152-050	Wheel and Housing Assembly			x

\*Please order by model number.  
 Minimum net billing \$15.00. Supersedes all previous lists.  
 Subject to change without notice.

PARTS LIST  
HIGH-BOY GAS FURNACES

2/85

PART NO.	DESCRIPTION	H60DA,B	H80DA,B	H80D36A,B	H105A,B	H105DA,B	H105D48A,B	H120A,B	H120D48A,B	H140A	H140D48A	H160A	H160D48A	H200A
5153-012	Bearings 3/4"				x			x		x		x		
5601-001	Belt 36"				x			x		x				
5601-004	Belt 39"													x
8552-002	Capacitor 5/370V.			x			x		x					
5153-019	Collar 3/4"				x			x		x		x		
5153-002	Collar Neoprene				x			x		x		x		
5153-014	Cushion - Bearing				x			x		x		x		
8402-001	Fan and Limit 11"	x	x		x	x		x		x		x		
8402-007	Fan and Limit 8"													x
5601-003	Belt 38"											x		
7003-004	Filter 16x25 P	x	x	x	x	x	x	x	x	x	x	x	x	x
9041-008	Heat Exchanger	x	x	x										
9041-009	Heat Exchanger				x	x	x	x	x					
9041-010	Heat Exchanger									x	x	x	x	
9041-023	Heat Exchanger													x
*	Housing - Blower 10-7	x	x	x		x								
*	Housing - Blower 10-9				x		x	x	x					
*	Housing - Blower 12-10									x		x		
*	Housing - Blower 12-12													x
*	Housing - Blower 10-10										x		x	
5818-001	Manifold 3/4 NS2	x	x	x										
5818-002	Manifold 3/4 NS3				x	x	x	x	x					
5818-003	Manifold 3/4 NS4									x	x	x	x	
5818-004	Manifold 3/4 NS5													x
8102-005	Motor 1/6 hp	x	x			x								
8105-008	Motor 1/3 hp			x										
8104-002	Motor 1/4 hp				x									
8105-002	Motor 1/3 hp							x		x				
8106-001	Motor 1/2 hp											x		x
8105-009	Motor 1/3 hp						x		x					
8106-018	Motor 1/2 hp										x		x	
5153-005	Motor Adjusting Bracket				x			x		x		x		x
8200-003	Motor Mount	x	x	x		x	x	x	x	x	x	x	x	
8200-016	Motor Mount				x			x						
8200-013	Motor Mount									x		x		
5451-011	Motor Mounting Parts	x	x	x		x	x		x		x		x	
9010-010	Orifice - Nat	x												
9010-008	Orifice - Nat		x	x				x	x			x	x	x
9010-009	Orifice - Nat				x	x	x			x	x			
8406-013	Micro Switch	x	x	x	x	x	x	x	x	x	x	x	x	x
8554-002	Pilot Burner - Nat	x	x	x	x	x	x	x	x	x	x	x	x	x
5501-012	Pulley - Blower 6 x 3/4				x			x		x		x		x
5501-001	Pulley - Motor 3-1/4 x 1/2				x			x						x
5501-015	Pulley - Motor 3-1/4 x 1/2									x				
1912-001	Shaft - Blower 15-1/4 x 3/4				x			x		x		x		
8407-006	Transformer	x	x		x	x		x		x		x		x
8201-007	Transformer w/Relay	x	x		x	x		x		x		x		x
8201-006	Transformer w/2-Speed Relay			x			x		x		x		x	
5651-032	Valve - Nat. 1/2 x 3/4	x	x	x	x	x	x	x	x	x	x	x	x	x
9010-015	Venturi - 2-Cell	x	x	x										
9010-016	Venturi - 3-Cell				x	x	x	x	x					
9010-017	Venturi - 4-Cell									x	x	x	x	
9010-018	Venturi - 5-Cell													x
5501-016	Pulley - Motor 4 x 5/8											x		
5152-004	Wheel - Blower DD9-7A	x	x			x								
5152-010	Wheel - Blower DD10-7A			x										
5152-002	Wheel - Blower A10-9A				x			x						
5152-014	Wheel - Blower DD10-9A						x		x					
5152-022	Wheel - Blower 11-10									x		x		
5152-042	Wheel - Blower CL220													x
5152-015	Wheel - Blower DD10-10A										x		x	
8554-003	Thermocouple	x	x	x	x	x	x	x	x	x	x	x	x	x
8402-042	Fan and Limit 11"			x			x		x		x		x	

\*Please order by model number.  
Minimum Net Billing \$15.00. Supersedes all previous lists.  
Subject to change without notice.

PARTS LIST  
ELECTRIC IGNITION  
HIGH-BOY GAS FURNACES

2/85

PART NO.	DESCRIPTION	EH60DA,B	EH80DA,B	EH80D36A,B	EH105A,B	EH105DA,B	EH105D48A,B	EH120A,B	EH120D48A,B	EH140A	EH140D48A	EH160A	EH160D48A	EH200A
5153-012	Bearings 3/4"				x			x		x		x		
5601-001	Belt 36"				x			x		x				
5601-004	Belt 39"													x
8552-002	Capacitor 5/370V			x			x		x					
5153-019	Collar 3/4"				x			x		x		x		
5153-002	Collar Neoprene				x			x		x		x		
5153-014	Cushion - Bearing				x			x		x		x		
8402-001	Fan and Limit 11"	x	x		x	x		x		x		x		
8402-007	Fan and Limit 8"													x
5601-003	Belt 38"													
7003-004	Filter 16x25 P	x	x	x	x	x	x	x	x	x	x	x	x	x
9041-008	Heat Exchanger	x	x	x										
9041-009	Heat Exchanger				x	x	x	x						
9041-010	Heat Exchanger									x	x	x	x	
9041-023	Heat Exchanger													x
*	Housing - Blower 10-7	x	x	x		x								
*	Housing - Blower 10-9				x		x	x	x					
*	Housing - Blower 12-10									x		x		
*	Housing - Blower 12-12													x
*	Housing - Blower 10-10										x		x	
5818-001	Manifold 3/4 NS2	x	x	x									x	
5818-002	Manifold 3/4 NS3				x	x	x	x	x					
5818-003	Manifold 3/4 NS4									x	x	x	x	
5818-004	Manifold 3/4 NS5													x
8102-005	Motor 1/6 hp	x	x			x								
8105-008	Motor 1/3 hp			x										
8104-002	Motor 1/4 hp				x									
8105-002	Motor 1/3 hp							x		x				
8106-001	Motor 1/2 hp											x		x
8105-009	Motor 1/3 hp						x		x					
8106-018	Motor 1/2 hp										x		x	x
5153-005	Motor Adjusting Bracket				x			x		x		x		x
8200-003	Motor Mount	x	x	x		x	x	x		x	x	x	x	
8200-016	Motor Mount				x			x						
8200-013	Motor Mount									x		x		
5451-011	Motor Mounting Parts	x	x	x		x	x		x		x		x	
9010-010	Orifice - Nat	x												
9010-008	Orifice - Nat		x	x				x	x			x	x	x
9010-009	Orifice - Nat				x	x	x			x	x			
8406-013	Micro Switch	x	x	x	x	x	x	x	x	x	x	x	x	x
8554-009	Pilot Burner - Nat	x	x	x	x	x	x	x	x	x	x	x	x	x
5501-012	Pulley - Blower 6 x 3/4				x			x				x		x
5501-001	Pulley - Motor 3-1/4 x 1/2				x			x						
5501-015	Pulley - Motor 3-1/4 x 1/2									x				x
1912-001	Shaft - Blower 15-1/4 x 3/4				x			x		x		x		
8407-025	Transformer	x	x		x	x		x		x		x		x
8201-007	Transformer w/Relay	x	x		x	x		x		x		x		x
8201-006	Transformer w/2-Speed Relay			x			x		x		x		x	
5651-023	Valve - Nat. 1/2 x 3/4	x	x	x	x	x	x	x	x	x	x	x	x	x
9010-015	Venturi - 2-Cell	x	x	x										
9010-016	Venturi - 3-Cell				x	x	x	x	x					
9010-017	Venturi - 4-Cell									x	x	x	x	
9010-018	Venturi - 5-Cell													x
5501-016	Pulley - Motor 4 x 5/8											x		
5152-004	Wheel - Blower DD9-7A	x	x			x								
5152-010	Wheel - Blower DD10-7A			x										
5152-002	Wheel - Blower A10-9A				x			x						
5152-014	Wheel - Blower DD10-9A						x		x					
5152-022	Wheel - Blower 11-10									x		x		
5152-042	Wheel - Blower CL220													x
5152-015	Wheel - Blower DD10-10A											x	x	
8600-002	Ignition Wire	x	x	x	x	x	x	x	x	x	x	x	x	x
5651-024	Ignition Module	x	x	x	x	x	x	x	x	x	x	x	x	x
8402-042	Fan and Limit 11"			x			x		x		x		x	

\*Please order by model number.

Minimum net billing \$15.00. Supersedes all previous lists. Subject to change without notice.

PARTS LIST  
HIGH ECONOMY GAS FURNACE

3/85

PART NO.	DESCRIPTION	IH60D36A,B	IH85D48A,B	IH115D48A,B
8552-002	Capacitor 5/370V	x	x	
8552-004	Capacitor 7.5/370V			x
8402-042	Fan and Limit 11"	x	x	x
7003-004	Filter 16x25 P	x	x	x
9041-029	Heat Exchanger	x		
9041-030	Heat Exchanger		x	
9041-031	Heat Exchanger			x
*	Housing - Blower 10-7	x		
*	Housing - Blower 10-9		x	
*	Housing - Blower 10-10			x
8109-001	Induced Draft Blower	x	x	x
8600-002	Ignition Wire	x	x	x
5651-024	Ignition Module	x	x	x
5818-001	Manifold 3/4 NS2	x		
5818-002	Manifold 3/4 NS3		x	
5818-003	Manifold 3/4 NS4			x
8105-008	Motor 1/3 hp	x		
8105-009	Motor 1/3 hp		x	
8106-018	Motor 1/2 hp			x
8200-003	Motor Mount	x	x	x
5451-011	Motor Mounting Parts	x	x	x
9010-010	Orifice - Nat	x	x	x
8406-013	Micro Switch	x	x	x
8554-009	Pilot Burner - Nat	x	x	x
8406-021	Pressure Switch	x	x	x
* 8201-048	Relay - DPST	x	x	x
8201-006	Transformer w/2-Speed Relay	x	x	x
5651-023	Valve - Nat. 1/2 x 3/4	x	x	x
9010-015	Venturi - 2 Cell	x		
9010-016	Venturi - 3 Cell		x	
9010-017	Venturi - 4 Cell			x
5152-010	Wheel - Blower DD10-7A	x		
5152-014	Wheel - Blower DD10-9A		x	
5152-015	Wheel - Blower DD10-10A			x

\*Please order by model number.

Minimum Net Billing \$15.00. Supersedes all previous lists.

Subject to change without notice.

PARTS LIST  
COUNTERFLOW GAS FURNACES

5/85

PART NO.	DESCRIPTION	C60DA	C80DA	C80036A	C105A	C105D42A	C120A	C120D42A	C140A	C140D48A	C160A	C160D48A
5153-012	Bearings 3/4"				x		x		x		x	
5601-005	Belt 40"				x		x					
5601-006	Belt 41"								x		x	
8552-002	Capacitor 5/370V			x		x		x				
5153-018	Collar 3/4"				x		x		x		x	
5153-014	Cushion, Bearing				x		x		x		x	
** **	8402-046	x	x	x	x	x	x	x				
	8402-045								x	x	x	x
	7003-001				x	x	x	x	x	x	x	x
	7003-003	x	x	x	x	x	x	x	x	x	x	x
	9041-005	x	x	x								
	9041-006				x	x	x	x				
	9041-007								x	x	x	x
	* *	x	x	x								
	* *				x	x	x	x				
	* *								x		x	
	* *									x		x
	8402-014	x	x	x	x	x	x	x	x	x	x	x
	5818-001	x	x	x								
	5818-002				x	x	x	x				
	5818-003								x	x	x	x
	8102-005	x	x									
	8105-008			x								
	8105-009					x		x				
	8104-002				x							
	8105-002						x		x			
	8106-001										x	
	8106-018									x		x
	5153-006				x		x		x		x	
	8200-003	x	x	x		x		x		x		x
	8200-016				x		x					
	8200-013								x		x	
	5451-011	x	x	x		x		x		x		x
	9010-010	x										
	9010-008		x	x			x	x			x	x
	9010-009				x	x		x	x			
	8554-002	x	x	x	x	x	x	x	x	x	x	x
	8406-013	x	x	x	x	x	x	x	x	x	x	x
	5501-001				x		x					
	5501-012				x		x					
	5501-015								x		x	
	1912-001				x		x		x		x	
	8554-003	x	x	x	x	x	x	x	x	x	x	x
	8407-006	x	x		x		x		x		x	
	8201-007	x	x		x		x		x		x	
	8201-006			x		x		x		x		x
	5651-032	x	x	x	x	x	x	x	x	x	x	x
	9010-015	x	x					x				
	9010-016			x	x	x	x					
	9010-017								x	x	x	x
	5153-002				x		x		x		x	
	5152-004	x	x									
	5152-014					x		x				
	5152-002				x		x					
	5152-022								x		x	
	5152-010			x								
	5152-015									x		x

\*Please order by model number. \*\*Denotes change.  
Minimum net billing \$15.00. Supersedes all previous lists.  
Subject to change without notice.

PARTS LIST  
ELECTRIC IGNITION  
COUNTERFLOW GAS FURNACES

5/85

PART NO.	DESCRIPTION	EC60DA	EC80DA	EC80D36A	EC105A	EC105D42A	EC120A	EC120D48A	EC140A	EC140D48A	EC160A	EC160D48A
5153-012	Bearings 3/4"				X		X		X		X	
5601-005	Belt 40"				X		X					
5601-006	Belt 41"								X		X	
8552-002	Capacitor 5/370V			X		X		X				
5153-018	Collar 3/4"				X		X		X		X	
5153-002	Collar - Neoprene 3/4"				X		X		X		X	
5153-014	Cushion, Bearing				X		X		X		X	
** 8402-046	Fan and Limit 11"	X	X	X	X	X	X	X				
** 8402-045	Fan and Limit 8"								X	X	X	X
7003-001	Filter 10x20 P				X	X	X	X	X	X	X	X
7003-003	Filter 15x20 P	X	X	X	X	X	X	X	X	X	X	X
9041-005	Heat Exchanger	X	X	X								
9041-006	Heat Exchanger				X	X	X	X				
9041-007	Heat Exchanger								X	X	X	X
*	Housing - Blower 10-7	X	X	X								
*	Housing - Blower 10-9				X	X	X	X				
*	Housing - Blower 12-10								X		X	
*	Housing - Blower 10-10									X		X
8600-002	Ignition Wire	X	X	X	X	X	X	X	X	X	X	X
8402-014	Limit Switch 140°	X	X	X	X	X	X	X	X	X	X	X
5818-001	Manifold NS2	X	X	X								
5818-002	Manifold NS3				X	X	X	X				
5818-003	Manifold NS4								X	X	X	X
8406-013	Micro Switch	X	X	X	X	X	X	X	X	X	X	X
8102-005	Motor 1/6 hp	X	X									
8105-009	Motor 1/3 hp					X		X				
8105-008	Motor 1/3 hp			X								
8104-002	Motor 1/4 hp				X							
8105-002	Motor 1/3 hp						X		X			
8106-001	Motor 1/2 hp										X	
8106-018	Motor 1/2 hp									X		X
5153-006	Motor Adj. Bracket				X		X		X		X	
8200-003	Motor Mount	X	X	X		X		X		X		X
5451-011	Motor Mounting Parts	X	X	X		X		X		X		X
5651-024	Ignition Module	X	X	X	X	X	X	X	X	X	X	X
9010-010	Orifice - Nat.	X										
9010-008	Orifice - Nat.		X	X			X	X			X	X
9010-009	Orifice - Nat.				X	X			X	X		
8554-009	Pilot and Orifice - Nat	X	X	X	X	X	X	X	X	X	X	X
5501-012	Pulley - Blower 6 x 3/4				X		X		X		X	
5501-001	Pulley - Motor 3-1/4 x 1/2				X		X					
5501-015	Pulley - Motor 3-1/4 x 1/2								X		X	
1912-001	Shaft - 15-1/4 x 3/4				X		X		X		X	
8607-005	Terminal Block	X	X	X	X	X	X	X	X	X	X	X
8407-025	Transformer 20VA	X	X		X		X		X		X	
8201-006	Fan Relay w/Trans.			X		X		X		X		X
5651-023	Valve - Nat. 1/2 x 3/4	X	X	X	X	X	X	X	X	X	X	X
9010-015	Venturi 2-Cell	X	X	X								
9010-016	Venturi 3-Cell				X	X	X	X				
9010-017	Venturi 4-Cell								X	X	X	X
5152-004	Wheel DD9-7A (blower)	X	X									
5152-014	Wheel DD10-9A (blower)					X		X				
5152-002	Wheel A10-9A (blower)				X		X					
5152-022	Wheel 11-10 (blower)								X		X	
5152-015	Wheel DD10-10A (blower)									X		X
5152-010	Wheel DD10-7A (blower)			X								
8200-016	Motor Mount				X		X					
8200-013	Motor Mount								X		X	

\*Please order by model number.      \*\*Denotes change.  
Minimum net billing \$15.00. Supersedes all previous lists.  
Subject to change without notice.

PARTS LIST  
HIGH ECONOMY GAS FURNACE

Counterflow

5/85

PART NO.	DESCRIPTION	IC60D36A,C	IC85D42A,C	IC115D48A,C
8552-002	Capacitor 5/370V	x	x	
8552-004	Capacitor 7.5/370V			x
* 8402-046	Fan and Limit 11"	x		
* 8402-045	Fan and Limit 8"		x	x
7003-001	Filter 10x20 P		(2)	x
7003-003	Filter 15x20 P	x		x
9041-032	Heat Exchanger	x		
9041-033	Heat Exchanger		x	
9041-034	Heat Exchanger			x
*	Housing - Blower 10-7	x		
*	Housing - Blower 10-9		x	
*	Housing - Blower 10-10			x
8600-002	Ignition Wire	x	x	x
8109-001	Induced Draft Blower	x	x	x
8402-014	Limit Switch 140°	x	x	x
5818-001	Manifold NS2	x		
5818-002	Manifold NS3		x	
5818-003	Manifold NS4			x
8406-013	Micro Switch	x	x	x
8105-009	Motor 1/3 hp		x	
8105-008	Motor 1/3 hp	x		
8106-018	Motor 1/2 hp			x
8200-003	Motor Mount	x	x	x
5451-011	Motor Mounting Parts	x	x	x
5651-024	Ignition Module	x	x	x
9010-010	Orifice - Nat	x	x	x
8554-009	Pilot and Orifice - Nat	x	x	x
8406-024	Pressure Switch	x	x	x
8201-048	Relay - DPST	x	x	x
8201-005	Fan Relay w/Trans.	x	x	x
5651-023	Valve - Nat. 1/2 x 3/4	x	x	x
9010-015	Venturi 2-Cell	x		
9010-016	Venturi 3 Cell		x	
9010-017	Venturi 4-Cell			x
5152-014	Wheel DD10-9A (blower)		x	
5152-015	Wheel DD10-10A (blower)			x
5152-010	Wheel DD10-7A (blower)	x		

\*Please order by model number.

Minimum Net Billing \$15.00. Supersedes all previous lists.

Subject to change without notice.

PARTS LIST  
GAS HORIZONTAL

12/9/83

Part No.	Illustration Number	Description	Standing Pilot					Electric Ignition				
			SG50D36A	SG75D42A	SG100D48A	SG120D60A	SG140D60A	ESG50D36A	ESG75D42A	ESG100D48A	ESG120D60A	ESG140D60A
9010-023	4	Burner Venturi Assembly	2	3	4	5	6	2	3	4	5	6
9043-001	14	Crossover Angle	x					x				
9043-002	14	Crossover Angle		x					x			
9043-003	14	Crossover Angle			x					x		
9043-004	14	Crossover Angle				x					x	
9043-005	14	Crossover Angle					x					x
8554-010	6	MH Pilot Burner Q314 Nat	x	x	x	x	x					
8554-011	6	MH Thermocouple Q308 24"	x	x	x	x	x					
5651-042	10	MH Gas Valve VR800A1012	x	x	x	x	x					
8554-012	6	EX613 Pilot & Ignitor Assy. Nat.						x	x	x	x	x
5651-043	10	EX613 Valve SX345NS Nat.						x	x	x	x	x
5651-044	41	EX613-300 Module						x	x	x	x	x
5651-045	41	EX613-300 Wiring Assembly						x	x	x	x	x
9010-024	12	Burner Orifice Nat.	2	3	4			2	3	4		
9010-025	12	Burner Orifice Nat.				5	6				5	6
9010-026	12	Burner Orifice LP	2	3	4			2	3	4		
9010-027	12	Burner Orifice LP				5	6				5	6
5818-014	11	Manifold Assembly	x					x				
5818-015	11	Manifold Assembly		x					x			
5818-016	11	Manifold Assembly			x					x		
5818-017	11	Manifold Assembly				x					x	
5818-018	11	Manifold Assembly					x					x
9043-006	16	Draft Diverter Assembly	x	x				x	x			
9043-007	16	Draft Diverter Assembly			x					x		
9043-008	16	Draft Diverter Assembly				x					x	
9043-009	16	Draft Diverter Assembly					x					x
9010-021		LP Kit	x	x	x	x	x					
9010-022		LP Kit						x	x	x	x	x
5152-032	60	Blower Wheel 10-4	x					x				
5152-033	60	Blower Wheel 10-6		x					x			
5152-034	60	Blower Wheel 10-8			x					x		
5152-035	60	Blower Wheel 10-10				x	x				x	x
8104-006	58	Motor 1/4 hp 3 speed	x	x				x	x			
8105-025	58	Motor 1/3 hp 3 speed			x					x		
8106-019	58	Motor 1/2 hp 2 speed				x	x				x	x
8552-004	56	Capacitor 7.5 - 370V	x	x	x	x	x	x	x	x	x	x

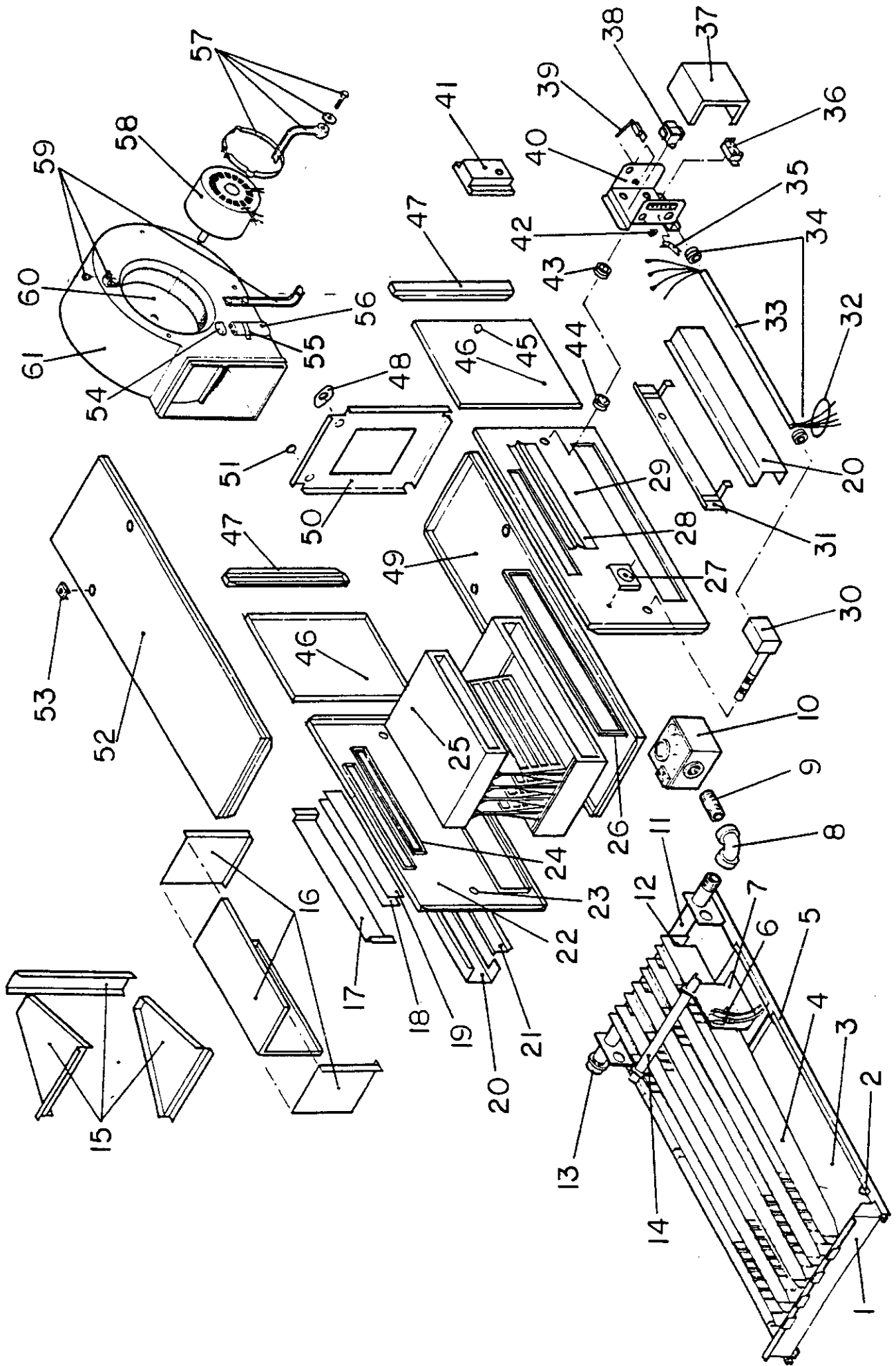


**PARTS LIST  
GAS HORIZONTAL**

Effective 4-26  
Supersedes 12-9-8

Part No.	Illustration Number	Description	Standing Pilot					Electric Ignition				
			SG50D36A	SG75D42A	SG100D48A	SG120D60A	SG140D60A	ESG50D36A	ESG75D42A	ESG100D48A	ESG120D60A	ESG140D60A
8200-024	57	Motor Mounting Kit	x					x				
8200-025	57	Motor Mounting Kit		x	x	x	x		x	x	x	x
5152-027	61	Blower Housing 10-4	x					x				
5152-036	61	Blower Housing 10-6		x					x			
5152-037	61	Blower Housing 10-8			x					x		
5152-038	61	Blower Housing 10-10				x	x				x	x
9041-024	25	Heat Exchanger (2 Sec.)	x					x				
9041-025	25	Heat Exchanger (3 Sec.)		x					x			
9041-026	25	Heat Exchanger (4 Sec.)			x					x		
9041-027	25	Heat Exchanger (5 Sec.)				x					x	
9041-028	25	Heat Exchanger (6 Sec.)					x					x
* 8402-039	30	Fan & Limit L4064T1848 8"	x		x	x	x	x		x	x	x
* 8402-040	30	Fan & Limit L4064T1830 5"		x					x			
8402-037	48	Auxiliary Limit 160°	x		x	x	x	x		x	x	x
8402-038	48	Auxiliary Limit 160°		x					x			
8406-023	39	Door Interlock Switch	x	x	x	x	x	x	x	x	x	x
8201-046	36	Blower Relay 184-20103-306	x	x	x	x	x	x	x	x	x	x
8407-033	38	Transformer 40VA	x	x	x	x	x	x	x	x	x	x

Any part not on parts list, order by illustration number from exploded view on page 52.  
Also reference unit model number.



PARTS LIST  
OIL FURNACES

Effective 7/84  
Supersedes 1/80

PART NO.	DESCRIPTION	F81	F97	NB120	C1	C2	F86CF	F100CF	F86H	F120H	F120L	
5153-012	Bearings 3/4"	x	x	x			x	x	x	x	x	
5153-013	Bearings 1"				x	x						
5601-007	Belt 42"	x										
5601-001	Belt 36"								x		x	
5601-003	Belt 38"			x								
5601-009	Belt 46"				x	x						
5601-005	Belt 40"		x				x	x				
5601-002	Belt 37"									x		
5153-018	Collar 3/4"	x	x	x			x	x	x	x	x	
5153-021	Collar 1"				x	x						
7090-005	Combustion Chamber	x	x				x	x	x			
7090-003	Combustion Chamber			x						x	x	
7090-006	Combustion Chamber				x	x						
5153-014	Cushion - Bearing	x	x	x			x	x	x	x	x	
5153-015	Cushion - Bearing				x	x						
* 8402-007	Fan and Limit 8"						x	x				
* 8402-001	Fan and Limit 11"	x	x		x	x					x	
8402-003	Fan and Limit L4064B								x			
8402-005	Fan and Limit L4064C			x						x		
7004-012	Filter 20x20	x		(2)						x		
7004-013	Filter 20x25		x									
7004-011	Filter 16x25				(2)				x		(2)	
7004-001	Filter 10x20						(2)					
7004-003	Filter 12x20							(2)				
7003-004	Filter 16x25 P					(2)						
7004-010	Filter 16x20									x		
1171-002	Handle - Door	x	x	x								
1171-003	Handle - Door	(2)	(3)	(2)	(4)	(4)	(2)	(2)	(2)		(2)	
9041-001	Heat Exchanger	x					x		x			
9041-022	Heat Exchanger		x									
9041-017	Heat Exchanger			x								
9041-018	Heat Exchanger				x							
9041-019	Heat Exchanger					x						
9041-021	Heat Exchanger							x				
9041-016	Heat Exchanger									x		
9041-003	Heat Exchanger										x	
* * *	Housing - Blower 10-10 Housing - Blower 12-10 Housing - Blower 140-14	x x x	x x x	 x x	 x x	 x x	x x x	x x x	x x x	 x x	 x x	

\*Please order by model number.

PARTS LIST  
OIL FURNACES

2-1-84  
Supersedes 5-23-83

PART NO.	DESCRIPTION	F81	F97	NB120	C1	C2	F86CF	F100CF	F86H	F120H	F120L
8102-001	Motor 1/6 hp	x									
8104-002	Motor 1/4 hp		x				x	x	x		
8104-001	Motor 1/4 hp			x							
8105-001	Motor 1/3 hp				x	x					
8105-002	Motor 1/3 hp									x	x
8106-001	Motor 1/2 hp									x	
8200-014	Motor Adj. Kit	x	x	x	x	x	x	x	x	x	x
9011-001	Nozzle (.75 80° A)	x					x		x		
9011-002	Nozzle (.85 80° A)		x					x			
9011-004	Nozzle (1.10 80° A)			x						x	x
9011-006	Nozzle (1.25 80° A)				x						
9011-009	Nozzle (1.65 80° A)					x					
5501-013	Pulley-Blower 7 x 3/4	x		x							
5501-012	Pulley-Blower 6 x 3/4		x				x	x	x	x	x
5501-014	Pulley-Blower 8 x 1				x	x					
5501-015	Pulley-Motor 3-1/4 x 1/2	x	x	x	x	x	x	x	x	x	x
8400-001	Relay	x	x	x	x	x	x	x	x	x	x
8400-002	Sensor Cell	x	x	x	x	x	x	x	x	x	x
1912-001	Shaft-Blower 15-3/4 x 3/4	x	x	x			x	x	x	x	x
1912-006	Shaft-Blower 20x1				x	x					
8402-024	Upper Limit L180-4						x	x			
5153-002	Washer - Neoprene	x	x	x			x	x	x	x	x
5153-003	Washer - Neoprene				x	x					
5152-006	Wheel - Blower 10-10	x	x				x	x	x		
5152-022	Wheel - Blower 11-10			x						x	x
5152-025	Wheel - Blower 15-12 BD				x	x					
9020-010	MSR 6" Oil Burner		x					x			
9020-009	MSR 8" Oil Burner	x					x		x		
9020-012	MSR 6" Oil Burner			x	x						
9020-011	MSR 8" Oil Burner									x	x
9020-013	MSR 6" Oil Burner					x					
* 1921-010	Front Plate Gasket	x	x				x	x	x		
* 1921-012	Front Plate Gasket									x	x
* 1921-014	Front Plate Gasket			x							
* 1921-015	Front Plate Gasket				x						
* 1921-016	Front Plate Gasket					x					
* 1921-008	2" Dia. Clean-out Gasket	4	4	4	4	4	4	4	2	4	4
* 8620-007	Clean-out Plug Kit	4	4	4	4	4	4	4	2	4	4

Note: For oil burner parts, see oil burner parts list.  
Minimum net billing \$15.00. Supersedes all previous lists.  
Subject to change without notice.

\*Denotes change.

PARTS LIST  
HORIZONTAL SERIES  
OIL FURNACES

Effective 1/1/80  
Supersedes 1/1/7

PART NO.	DESCRIPTION	S0175	S0230	S0350
HE175S	Heat Exchanger Steel Body	x		
HE203S	Heat Exchanger Steel Body		x	
HE350S	Heat Exchanger Steel Body			x
AGOF	Door Frame Gasket 1/8 x 1-1/4	x	x	x
216061	Lower Oil Burning Mounting Door	x	x	x
216062	Upper Oil Burner Mounting Door	x	x	x
B1212	Blower Assembly w/Wheel	x		
B1215	Blower Assembly w/Wheel		x	
B1218	Blower Assembly w/Wheel			x
B1212MB	Blower Motor Mount Bar	x		
B1215MB	Blower Motor Mount Bar		x	
B1218MB	Blower Motor Mount Bar			x
BHB	Blower Motor Adj. Hardware	x	x	x
L4064	Fan & Limit Control	x	x	x
T87F	Room Thermostat	x	x	x
BM 1/3hp	Blower Motor	x		
BM 1/2hp	Blower Motor		x	
BM 3/4hp	Blower Motor			x
20x25x1	Air Filter	x		
16x25x1	Air Filter		x	
16x16x1	Air Filter			x
DH01	Door Handles w/Keepers	x	x	x
FC8	Finish Collar	x	x	
FC9	Finish Collar			x
BD06	Blower Door (Less Handles)	x		
BD07	Blower Door (Less Handles)		x	
BD08	Blower Door (Less Handles)			x
F104	Fire Brick	x		
F150	Fire Brick		x	
F350	Fire Brick			x
VER2	Vermiculite	x		
VER3	Vermiculite		x	
VER4	Vermiculite			x
HTC	Hi Temp Cement	x	x	x
BDP175S	Blower Division Panel	x		
BDP230S	Blower Division Panel		x	
BDP350S	Blower Division Panel			x
CB175S	Cabinet Base	x		
CB230S	Cabinet Base		x	
CB350S	Cabinet Base			x
BP7	Blower Drive Pulley	x	x	
BP8	Blower Drive Pulley			x
MP01	Motor Drive Pulley	x	x	
MP02	Motor Drive Pulley			x

PARTS LIST  
HORIZONTAL SERIES  
OIL FURNACES

Effective 1/1/80  
Supersedes 1/1/79

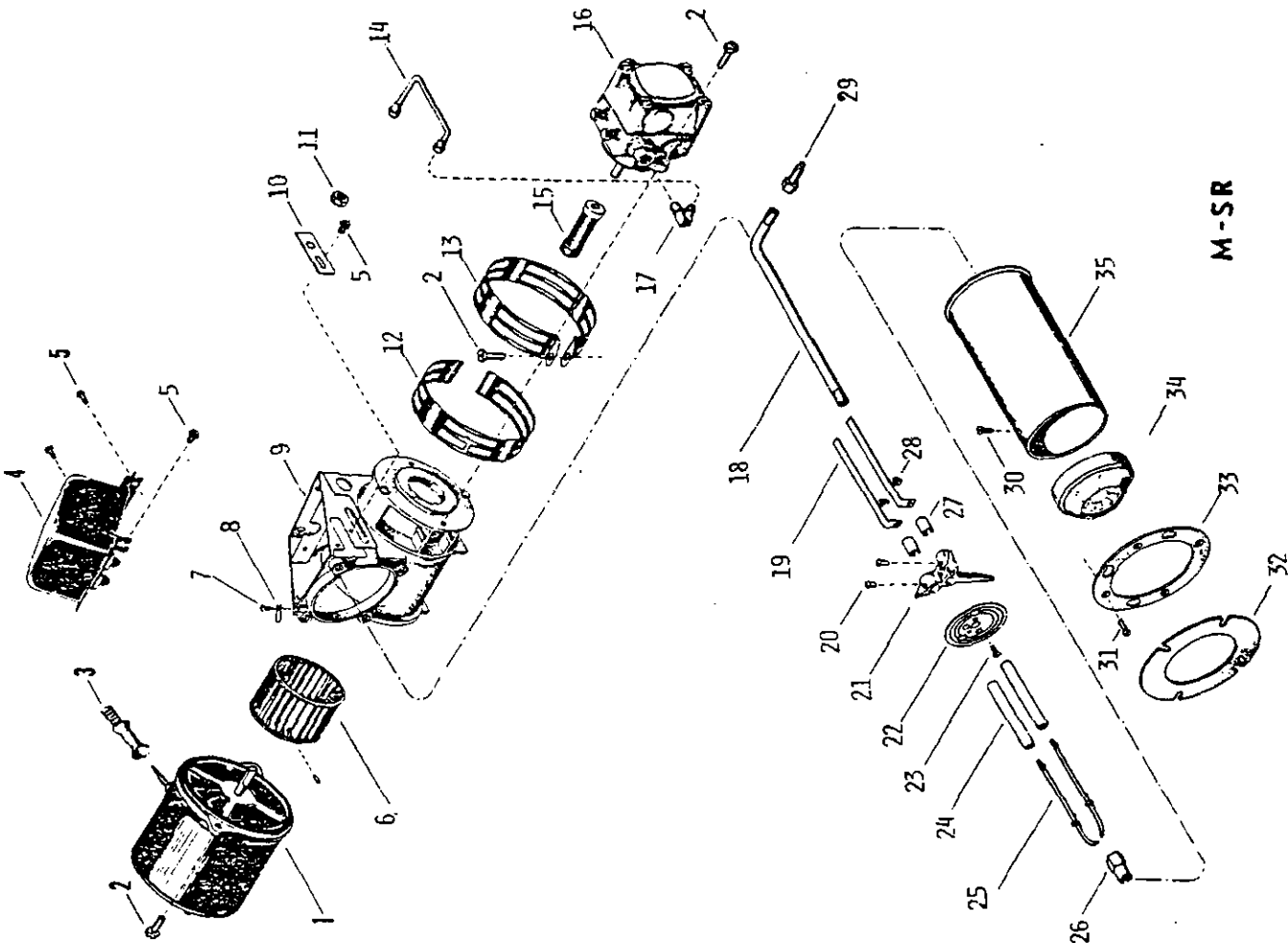
PART NO.	DESCRIPTION	S0175	S0230	S0350
WHO2	Wiring Harness (Complete)	x	x	x
FB	Fan Belt	x	x	x
CTS175	Cabinet Top	x		
CTS230	Cabinet Top		x	
CTS350	Cabinet Top			x
FP175S	Front Panel	x		
FP230S	Front Panel		x	
FP350S	Front Panel			x
BD06	Blower Door	x		
BD07	Blower Door		x	
BD08	Blower Door			x
RSP175S	Right Side Panel	x		
RSP230S	Right Side Panel		x	
RSP350S	Right Side Panel			x
LSP175S	Left Side Panel	x		
LSP230S	Left Side Panel		x	
LSP350S	Left Side Panel			x
IDP175S	Inner Division Panel	x		
IDP230S	Inner Division Panel		x	
IDP350S	Inner Division Panel			x
RP175S	Rear Panel	x		
RP230S	Rear Panel		x	
RP350S	Rear Panel			x
SR01	Support Rails	x	x	x
PA02	W.A. Plenum Adapter	x		
PA03	W.A. Plenum Adapter		x	
PA04	W.A. Plenum Adapter			x

Minimum Net Billing \$15.00. Supersedes all previous lists.  
Subject to change without notice.

MSR BURNER

9-12-83  
Super-series: 8-22-83

Item Number	Description	9020-009 MSR 8"	9020-010 MSR 6"	9020-011 MSR 8"	9020-012 MSR 6"	9020-013 MSR 6"
1	Motor 1/8 hp - 3450 RPM	8101-003	8101-003	8101-003	8101-003	8101-003
2	Screw	9021-085	9021-085	9021-085	9021-085	9021-085
3	Motor Cord Cover	9021-078	9021-078	9021-078	9021-078	9021-078
4	Transformer	8407-030	8407-030	8407-030	8407-030	8407-030
5	Screw	9021-081	9021-081	9021-081	9021-081	9021-081
6	Fan	9021-006	9021-006	9021-006	9021-006	9021-006
7	Trans. Clip Screw	9021-084	9021-084	9021-084	9021-084	9021-084
8	Trans. Clip	9021-008	9021-008	9021-008	9021-008	9021-008
9	Fan Housing	9021-010	9021-010	9021-010	9021-010	9021-010
10	Oil Line Slot Cover	9021-015	9021-015	9021-015	9021-015	9021-015
11	Oil Line Locknut	9021-000	9021-000	9021-000	9021-000	9021-000
12	Inner Air Adjusting Band	9021-012	9021-012	9021-012	9021-012	9021-012
13	Outer Air Adjusting Band	9021-014	9021-014	9021-014	9021-014	9021-014
14	Oil Line Assembly	9021-018	9021-018	9021-018	9021-018	9021-018
15	Coupling	9021-017	9021-017	9021-017	9021-017	9021-017
16	Fuel Unit	9021-003	9021-003	9021-003	9021-003	9021-003
17	Oil Line Elbow	9021-019	9021-019	9021-019	9021-019	9021-019
18	Oil Pipe	9021-024	9021-024	9021-024	9021-024	9021-024
19	Buss Bar	9021-032	9021-032	9021-032	9021-032	9021-032
20	Electrode Support Screw	9021-079	9021-079	9021-079	9021-079	9021-079
21	Electrode Support	9021-035	9021-035	9021-035	9021-035	9021-035
22	Baffle Plate $\Delta$	9021-040	9021-040	9021-040	9021-040	9021-040
23	Baffle Plate Screw	9021-076	9021-076	9021-076	9021-076	9021-076
24	Insulator	9021-044	9021-044	9021-044	9021-044	9021-044
25	Electrode Stem	9021-046	9021-046	9021-046	9021-046	9021-046
26	Nozzle Adapter	9021-043	9021-043	9021-043	9021-043	9021-043
27	Insulator Bushing	9021-034	9021-034	9021-034	9021-034	9021-034
28	Pinnut	9021-075	9021-075	9021-075	9021-075	9021-075
29	Oil Line Fitting	9021-020	9021-020	9021-020	9021-020	9021-020
30	Air Cone Screw	9021-053	9021-053	9021-053	9021-053	9021-053
31	Flange Mounting Screw	9021-060	9021-060	9021-060	9021-060	9021-060
32	Gasket	9021-073	9021-073	9021-073	9021-073	9021-073
33	Mounting Flange	9021-059	9021-059	9021-059	9021-059	9021-059
34	Air Cone	9021-056	9021-056	9021-056	9021-056	9021-056
35	Air Tube	9021-051	9021-050	9021-051	9021-050	9021-050
	Gun Assy. $\Delta$ (Items 18 thru 29)	9021-066	9021-067	9021-066	9021-067	9021-067



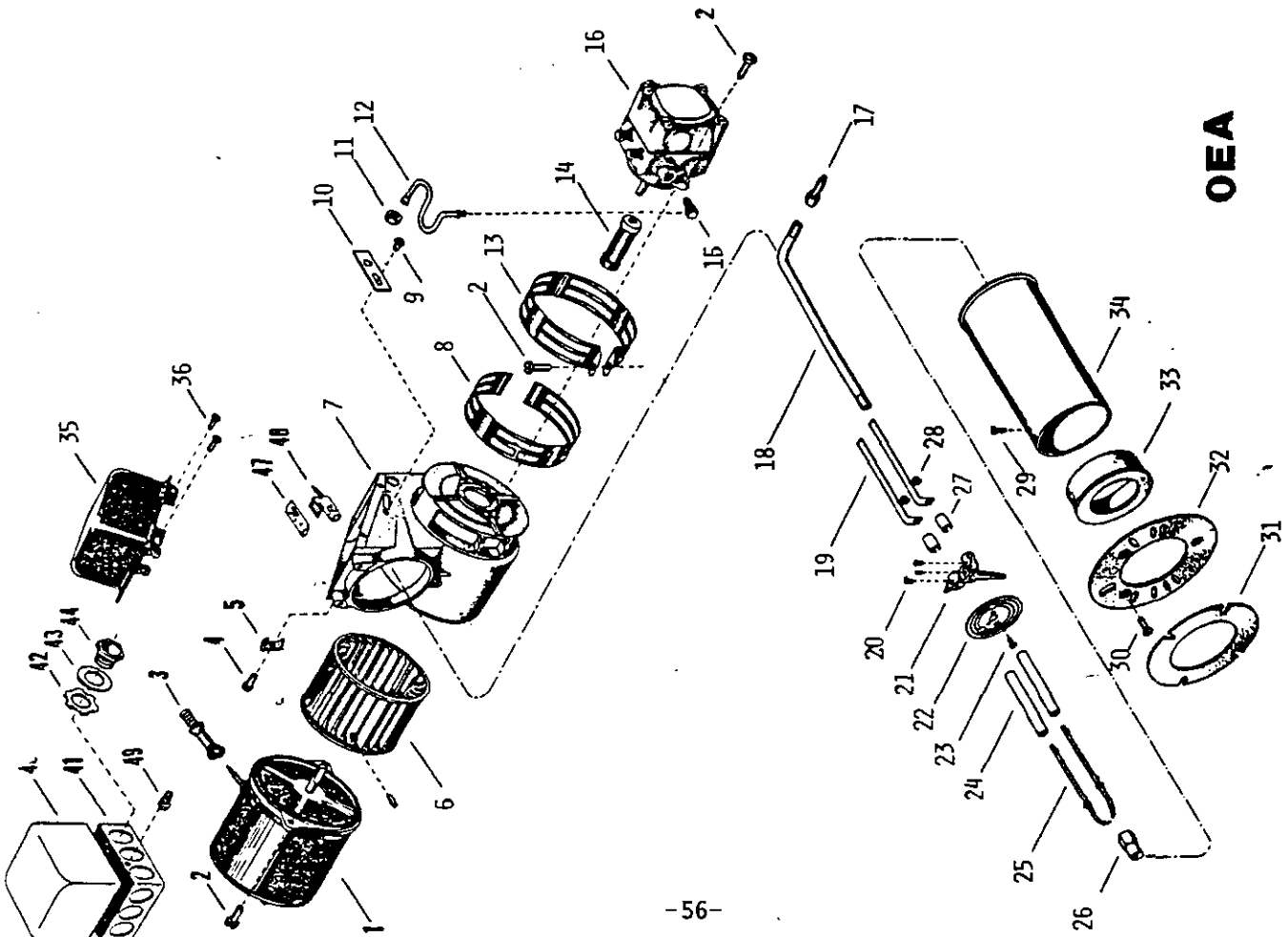
$\Delta$  Break baffle plate to 3" dia. on 9020-011 and 9020-012 burners.  
Break baffle plate to 2" dia. on 9020-013 burner.

M-SR

OEA BURNER

8-22-83

Item Number	Description	9020-003 OEA 8"	9020-008 OEA 6"
1	Motor 1/8 hp 1725 RPM	8101-002	8101-002
2	Screw	9021-085	9021-085
3	Motor Cord Cover	9021-077	9021-077
4	Screw	9021-083	9021-083
5	Trans. Hold Down Clip	9021-007	9021-007
6	Fan	9021-005	9021-005
7	Fan Housing	9021-009	9021-009
8	Inner Air Adjusting Band	9021-011	9021-011
9	Screw	9021-081	9021-081
10	Oil Line Slot Cover	9021-015	9021-015
11	Oil Line Locknut	9021-080	9021-080
12	Oil Line Assembly	9021-018	9021-018
13	Outer Air Adjusting Band	9021-013	9021-013
14	Pump Coupling	9021-016	9021-016
15	Oil Line Elbow	9021-019	9021-019
16	Fuel Unit	9021-001	9021-001
17	Oil Line Fitting	9021-020	9021-020
18	Oil Pipe	9021-022	9021-022
19	Buss Bar	9021-028	9021-027
20	Electrode Support Screw	9021-079	9021-079
21	Electrode Support	9021-035	9021-035
22	Baffle Plate	9021-037	9021-037
23	Baffle Plate Screw	9021-076	9021-076
24	Insulator	9021-044	9021-044
25	Electrode Stem	9021-045	9021-045
26	Nozzle Adapter	9021-043	9021-043
27	Insulator Bushing	9021-034	9021-034
28	Pin Nut	9021-075	9021-075
29	Air Cone Screw	9021-052	9021-052
30	Flange Mounting Screw	9021-060	9021-060
31	Gasket	9021-073	9021-073
32	Flange	9021-059	9021-059
33	Air Cone	9021-054	9021-054
34	Air Tube	9021-048	9021-047
35	Transformer	8407-001	8407-001
36	Transformer Hinge Screw	9021-082	9021-082
	Gun Assembly (Items 17 thru 28)	9021-062	9021-061



OEA



## PARTS LIST

## POWER GAS BURNER

Effective 1/1/80

PART NO.	DESCRIPTION	WP20	WP40
60745	Air Tube and Housing Assembly 8-1/2" Burner	x	x
60814	Air Tube and Housing Assembly 12" Burner	x	x
60815	Air Tube and Housing Assembly 15" Burner	x	x
61460	Cover Plate	x	x
60363	Blower Wheel	x	x
60362	Blower Motor	x	x
60365	Air Shutter	x	x
60650	Housing Wiring Cover	x	x
60211	Mounting Flange	x	x
	Pedestal Mounting Assembly	x	x
60381	Venturi	x	x
60390	Orifice Holder Assembly 8-1/2" Burner	x	x
60391	Orifice Holder Assembly 12" Burner	x	x
60392	Orifice Holder Assembly 15" Burner	x	x
61455	Bulkhead Union	x	x
60364	Motor Bracket	x	x
61055	Main Burner Orifice - Natural Gas	x	x
61056	Main Burner Orifice - L.P. Gas	x	x
60534	Orifice Holder	x	x
60375	Pilot Shield	x	x
60659	Pilot	x	x
60186	Transformer	x	x
60227	Motor Relay	x	x
60228	Terminal Block	x	x
60243	Runner Lighter Tube 8-1/2" Burner	x	x
60244	Runner Lighter Tube 12" Burner	x	x
60245	Runner Lighter Tube 15" Burner	x	x
61430	Runner Lighter Valve 8-1/2" Burner	x	x
61510	Runner Lighter Valve 12-24" Burner	x	x
60374	Pilot Tubing 8-1/2" Burner	x	x
60776	Pilot Tubing 12" Burner	x	x
60777	Pilot Tubing 15" Burner	x	x
60280	Thermocouple 8-1/2" Burner	x	x
60281	Thermocouple 12" & 15" Burner	x	x
60270	Combination Gas Valve - Robertshaw (Natural Gas)	x	
61190	Combination Gas Valve - Robertshaw (L.P. Gas)	x	
60255	Combination Gas Valve - Robertshaw (Natural Gas)		x
60272	Combination Gas Valve - Honeywell (Natural Gas)	x	
61666	Combination Gas Valve - Honeywell (L.P. Gas)	x	
61667	Combination Gas Valve - Honeywell (Natural Gas)		x
60182	Gas Valve Cord Assembly	x	x
60615	Runner Lighter Door	x	x
60748	Flame Retention Ring	x	x
60680	Pilot Orifice - Natural Gas	x	x
60740	Pilot Orifice - L.P. Gas	x	x

Minimum Net Billing \$15.00. Supersedes all previous lists.  
Subject to change without notice.

PARTS LIST  
ELECTRONIC AIR CLEANER

Effective 1/1/80  
Supersedes 10/78

PART NO.	DESCRIPTION	EC14	EC20
8610-015	Electronic Cell FC37A1130	(2)	
8610-016	Electronic Cell FC37A1064		(2)
8610-017	Cell Handle 137266	(2)	(2)
8610-018	Protective Screen 136388	(2)	
8610-019	Protective Screen 136389		(2)
8610-020	Cell Key 136518	x	x
8610-021	Contact Board 136383A	(2)	(2)
8610-022	Shorting Arm 136387A	x	x
8610-023	Shorting Arm Bracket 136382A	x	x
8610-024	Shorting Arm Spring 136517	x	x
8610-025	Switch/Indicator Light 139034	x	x
8610-026	Power Supply W919A1275	x	
8610-027	Power Supply W919A1267		x
8610-028	High Voltage Transformer 135672AH	x	
8610-029	High Voltage Transformer 136572AF		x
8610-030	Resonating Capacitor 136749	x	x
8610-031	Diode 137073A	(2)	(2)
8610-032	Capacitor 136912	(2)	(2)
8610-033	Resistor 118965A	x	x
	Power Box Assembly 139963C	x	
	Power Box Assembly 139963A		x

Minimum Net Billing \$15.00. Supersedes all previous lists.  
Subject to change without notice.

PARTS LIST

ECW-2, ECW-3, ECW-4

ECONOMIZER

3/85

Part No.	Description	ECW-2	ECW-3	ECW-4
8201-015	Relay	x	x	x
8201-013	Relay	x	x	x
8602-002	Enthalpy Control	x	x	x
8602-017	Economizer Motor	x	x	x
8602-018	Thermistor Sensor	x	x	x
8602-019	Minimum Position Potentiometer	x	x	x
7004-020	Filter 10x25x1	x		
7004-021	Filter 16x25x1		x	
7004-022	Filter 16x34x1			x
7002-005	Moisture Eliminator 8-7/8x24½x1	x		
7002-006	Moisture Eliminator 12¼x29x1		x	
7002-007	Moisture Eliminator 12¼x32½x1			x
8408-008	Compressor Lockout Thermostat	x	x	x

Minimum Net Billing \$15.00. Supersedes all previous lists.  
Subject to change without notice.