



1987 Parts List

Pink Pages

SPLIT SYSTEM CONDENSING UNITS

18ECQ2 24ECQ4 30ECQ4 31ECQ1 36ECQ5 37ECQ1 42ECQ1 48ECQ2 60ECQ1 18ECS2 24ECS4
30ECS4 31ECS1 36ECS5 37ECS1 42ECS1 48ECS2 60ECS1 37ECQ1-B 42ECQ1-B 48ECQ2-B
60ECQ1-B 37ECQ1-C 42ECQ1-C 48ECQ2-C 60ECQ1-C ---1-2

24UACQA 30UACQA 36UACQA 42UACQA 48UACQA 60UACQA 24UACS 30UACSA 36UACSA
42UACSA 48UACSA 60UACSA 38UACSA-B 42UACSA-B 48UACSA-B 60UACSA-B ---3

WALL MOUNT AND PACKAGED A/C UNITS

20WA2 24WA5 ---4

30WA5 30WA5-3 36WA6 36WA6-3 ---5

42WA 42WA-3 49WA 49WA-3 60WA 60WA-3 ---6-7

P25A P31A1 P31A1-C P36A5 P36A5-B P36A5-C P25A-B ---8

P48A5 P48A5-B P60A6 P60A6-B P48A5-C P60A6-C ---9

P1024A1 P1030A1 P1036A1 P1045A1 ---10-11

MU30A MU36C MU42D ---12

RPMA30A RPMA30A-B RPMA36A RPMA36A-B RPMA30A-C RPMA36A-C ---13

RPMA42 RPMA42-B RPMA42-C RPMA48 RPMA48-B RPMA48-C RPMA60 RPMA60-B
RPMA-60-C ---14-15

MAC30A MAC30A-A05 MAC30A-A10 MAC30A-A15 MAC30A-A00/C MAC30A-A05/C
MAC30A-A10/C MAC30A-A15/C MAC36A MAC36A-A05 MAC36A-A10 MAC36A-A15
MAC36A-A00/C MAC36A-A05/C MAC36A-A10/C MAC36A-A15/C ---16

WALL MOUNT AND PACKAGED HEAT PUMPS

18WH5 24WH5 ---21

30WH5 30WH5-3 36WH6 36WH6-3 ---22-23

42WH 42WH-3 48WH5 48WH5-3 60WH 60WH-3 ---24-25

PH25 PH314 PH364 PH364-B PH364-C ---26-27

PH421 PH421-B PH484 PH484-B PH605 PH605-B PH421-C PH484-C PH605-C ---28-29



1987 Parts List

Pink Pages

WALL MOUNT AND PACKAGED HEAT PUMPS CONTINUED

MPH30A MPH30A-A05 MPH30A-A10 MPH30A-A00/C MPH30A-A05/C MPH30A-A10/C MPH36A
MPH36A-A05 MPH36A-A10 MPH36A-A00/C MPH36A-A05/C MPH36A-A10/C ---30-31

MH30B MH36B MH42B ---32

RPMH30B RPMH30B-B RPMH36B RPMH36B-B RPMH30B-C RPMH36B-C ---33

RPMH42 RPMH42-B RPMH42-C RPMH48 RPMH48-B RPMH48-C RPMH60 RPMH60-B
RPMH60-C ---34-35

WPV30 WPVD30 WPV36 WPVD36 ---36

WPV30A WPVD30A WPV36A WPVD36A ---37

WPV53 WPVD53 WPV62 WPVD62 ---38

WPV53A WPVD53A WPV62A WPVD62A ---39

HWP30 HWP30A HWP36 HWP36A ---40

HRU2-5A ---103

SPLIT SYSTEMS HEAT PUMPS

18HPQ4 24HPQ4 30HPQ5 30HPQ5-B 30HPQ5-C 36HPQ5 36HPQ5-B 36HPQ5-C ---17-18

42HPQ2 42HPQ2-B 49HPQ5 48HPQ5-B 60HPQ5 60HPQ5-B 42HPQ2-C 48HPQ5-C 60HPQ5-C ---19

WQS30 WQSD30 WQS36 WQSD36 WQS50 WQSD50 ---20

SPLIT SYSTEM BLOWER COILS

B18EHQ1 B18EHQ1-A05 B18EHQ1-A10 B24EHQ1 B24EHQ1-A05 B24EHQ1-A10 B24EHQ1-A15
B30EHQ B30EHQ-A05 B30EHQ-A10 B39EHQ-A15 ---41

B36EHQ1 B36EHQ1-A05 B36EHQ1-A10 B36EHQ1-A15 B36EHQ1-A20 B36EHQ1-A25
B36EHQ1-A30 B36EHQ1-B09 B36EHQ1-B15 B36EHQ1-C09 B36EHQ1-C15 ---42

BC48A BC48A-A10 BC48A-A15 BC48A-A20 BC48A-A30 BC48A-B09 BC48A-B15 BC48A-B30
BC48A-C09 BC48A-C18 ---43-44

BC60A BC60A-A10 BC60A-A15 BC60A-A20 BC60A-A30 BC60A-B09 BC60A-B15 BC60A-B30
BC60A-C09 BC60A-C18 ---45-46



1987 Parts List

Pink Pages

ELECTRIC HEATER PACKAGES

EH3MA-A05 EH3MA-A08 EH3MA-A10 EH3MA-A15 EH3MA-A20 ---47

EH3PA-A05 EH3PA-A08 EH3PA-A10 EH3PA-A15 EH3PA-B09 EH3PA-B12 EH3PA-B15
EH3PA-C09 EH3PA-C12 EH3PA-C15 ---48

EH5PA-A05 EH5PA-A10 EH5PA-A15 EH5PA-A20 EH5PA-B09 EH5PA-B12 EH5PA-B15
EH5PA-B18 EH5PA-C09 EH5PA-C12 EH5PA-C15 EH5PA-C18 ---49

EH3RA-A05 EH3RA-A10 EH3RA-A15 EH3RA-A20 EH3RA-B06 EH3RA-B09 EH3RA-B12
EH3RA-B15 EH3RA-B18 EH3RA-C06 EH3RA-C09 EH3RA-C12 EH3RA-C15 EH3RA-C18 ---50

EH5RA-A05 EH5RA-A10 EH5RA-A15 EH5RA-A20 EH5RA-A25 EH5RA-B06 EH5RA-B09
EH5RA-B12 EH5RA-B15 EH5RA-B18 EH5RA-B21 EH5RA-B24 EH5RA-C06 EH5RA-C09
EH5RA-C12 EH5RA-C15 EH5RA-C18 EH5RA-C21 EH5RA-C24 ---51

8604-08 8604-081 8604-082 8604-083 ---52

ELECTRIC FURNACES

EFC10-1 EFC10-1- B EFC15-1 EFC20-1 EFC25-1 EFC30-1 ---53

GAS FURNACES

HI-BOY--- H60DB H80DB H80D36B H105D36B H105D48B H120D48B H120D60B H140D48B
H160D48B H200A ---54

ELECTRONIC IGNITION HI-BOY--- EH60DB EH80DB EH80D36B EH105D36B EH105D48B
EH120D48B EH120D60B EH140D48B EH160D48B EH200A ---55

COUNTERFLOW--- C60DA C80D36A C105D42A C120D42A C140D48A C160D48A ---56

ELECTRONIC IGNITION COUNTERFLOW--- EC60DA EC80D36A EC105D42A EC120D42A
EC140D48A EC160D48A ---57

HIGH ECONOMY HI-BOY--- IH60D36B IH85D48A IH115D48B ---58

HIGH ECONOMY COUNTERFLOW--- IC60D36C IC85D42C IC115D48C ---59

HIGH ECONOMY LO-BOY---IL85D42A IL115D48A IL145D60A ---60

XH050D36AN XH075D42AN XH100D48AN XH125D60AN XH050D36AL XH075D42AL
XH100D48AL XH125D60AL ---61-63

XCO75D36AN XC100D48AN XH125D60AN XCO75D36AL XC100D48AL XH125D60AL ---64-66



1987 Parts List

Pink Pages

GAS FURNACES CONTINUED

SG50D36A SG75D42A SG100D48A SG120D60A SG140D60A ESG50D36A ESG75D42A ESG100D48A
ESG120D60A ESG140D60A ---**67-69**

SG040D36B SG050D36B SG060D48B SG075D00A SG075D42A SG075D48B SG080D60B
SG100D00A SG100D48A SG100D60B SG120D60A SG140D60B ---**70**

ESG040D36C ESG050D36C ESG060D48C ESG075D00A ESG075D42A ESG075D48C ESG080D60C
ESG100D00A ESG100D48A ESG100D60C ESG120D60A ESG140D60B ---**71**

PACKAGED GAS / ELECTRIC UNITS (PGA)

PGA ---**72-85**

OIL FURNACES

F81 F97 NB120 C1 C2 F86CF F100C F86H F120H F120L ---**86-87**

S0175 S0230 S0350 SO175 SO230 SO350 ---**88-89**

OH95D36A OH125B48A ---**90-91**

OC95D36A OC125D48A ---**92-93**

OS95D36A OS125D48A OS140B48A OS196B60A ---**94-95**

OL95B36A OL125B48A OL140B48A OL196B60A ---**96-97**

MSR ---**98**

OEA ---**99**

AIR CLEANERS

EC14 EC20 ---**100**

ECONOMIZERS

ECW-2 ECW-3 ECW-4 ---**101**

ECON-P-35 ---**102**



PARTS LIST

**Air Conditioners
Heat Pumps
Furnaces
(Gas - Oil - Electric)
Blower Coils
Air Cleaners**

Effective: 5-1-87
Supersedes: 6-1-85

IMPORTANT

Retain obsolete parts lists for reference purposes. It is essential to use complete model number and matching parts list to help assure the correct part is shipped.

BARD MANUFACTURING CO.

P. O. BOX 507

BRYAN, OHIO 43506

419-638-1194

PARTS LIST
SPLIT SYSTEM CONDENSING UNITS

5/87

Part No.	Description	18ECQ,S2	24ECQ,S4	30ECQ,S4	31ECQ,S1	36ECQ,S5	37ECQ,S1	37ECQ1-B	42ECQ,S1	42ECQ1-B	48ECQ,S2	48ECQ2-B	60ECQ,S1	60ECQ1-B	37ECQ1-C 460V	42ECQ1-C 460V	48ECQ2-C 460V	60ECQ1-C 460V
8552-044	Capacitor 15/10-370V	x																
8552-007	Capacitor 20/15-370V		x	x	x													
8552-030	Capacitor 40/440V					x			x									
8552-036	Capacitor 70/370V										x							
8552-031	Capacitor 45/440V						x						x					
8552-026	Capacitor 15/370V								x	x	x	x	x	x		x	x	x
8552-002	Capacitor 5/370V	x	x	x	x	x	x	x							x			
8000-061	Compressor RES3-0175-PFV	x																
8000-071	Compressor AB225HT		x															
8000-080	Compressor AB233FT			x														
8000-070	Compressor AB233HT				x													
8000-072	Compressor AV144ET					x												
8000-084	Compressor AV135ET						x											
8000-059	Compressor CRJ3-0300-TF5							x										
8000-063	Compressor CRK3-0325-PFV								x									
8000-064	Compressor CRK3-0325-TF5									x								
8000-067	Compressor AG112ET										x							
8000-030	Compressor AG111RT											x						
8000-027	Compressor AG122ET												x					
8000-031	Compressor AG122RT													x				
8000-060	Compressor CRJ3-0300-TFD														x			
8000-065	Compressor CRK3-0325-TFD															x		
8000-047	Compressor AG111UT																x	
8000-048	Compressor AG122UT																	x
5051-011	Condenser Coil	x																
5051-013	Condenser Coil		x															
5051-034	Condenser Coil			x		x												
5051-035	Condenser Coil						x	x							x			
5051-009	Condenser Coil								x	x	x	x				x	x	
5051-024	Condenser Coil												x	x				x
5051-020	Condenser Coil				x													
8401-003	Contactora - Comp. 30A					x			x		x							
8401-002	Contactora - Comp. 25A							x		x		x		x	x	x	x	x
8401-016	Contactora - Comp. 35A												x					
8401-007	Contactora - Comp. 25A	x	x	x	x													
5151-001	Fan Blade TF1839	x	x															
5151-007	Fan Blade TP2029			x	x	x	x	x							x			
5151-017	Fan Blade FA2430-4B								x	x	x	x	x	x		x	x	x
8103-008	Motor - Fan 1/5 hp	x	x															
8103-009	Motor - Fan 1/5 hp			x	x	x	x	x										
8105-021	Motor - Fan 1/3 hp								x	x	x	x	x	x		x	x	x
8200-001	Motor Mount - Fan	x	x	x	x	x	x								x			
8200-004	Motor Mount - Fan								x	x	x	x	x	x		x	x	x
8607-002	Terminal Block 230V														x			
8407-003	Transformer - Stepdown															x	x	x
7051-010	Wire Grille - Inlet	x	x															
7051-009	Condenser Grille	x	x															
7051-003	Wire Grille - Inlet			x	x	x	x	x							x			
7051-001	Condenser Grille			x	x	x	x	x							x			
7051-004	Wire Grille - Inlet								x	x	x	x	x	x		x	x	x
7051-005	Condenser Grille								x	x	x	x	x	x		x	x	x
8103-014	Motor - Fan 1/5 hp														x			

**PARTS LIST
SPLIT SYSTEM CONDENSING UNITS**

5/87

Part No.	Description	18ECQ,S2	24ECQ,S4	30ECQ,S4	31ECQ,S1	36ECQ,S5	37ECQ,S1	37ECQ1-B	42ECQ,S1	42ECQ1-B	48ECQ,S2	48ECQ2-B	60ECQ,S1	60ECQ1-B	37ECQ1-C	42ECQ1-C	460V	460V	48Q2-C	60ECQ1-C
4021-110	Wiring Diagram	x	x																	
4025-120	Wiring Diagram								x		x		x							
4025-210	Wiring Diagram									x		x		x						
4025-310	Wiring Diagram																	x	x	x
4062-110	Wiring Diagram			x	x															
4062-111	Wiring Diagram					x	x													
4062-210	Wiring Diagram							x												
4062-310	Wiring Diagram														x					
5651-051	Base Valve *	x	x	x	x	x	x		x		x		x							
5651-052	Base Valve *	x	x																	
5651-053	Base Valve*			x	x	x	x													
5651-054	Base Valve *								x		x		x							

*Used only on "S" versions.

**PARTS LIST
REMOTE AIR CONDITIONING**

3/87

Part No.	Description	24UACQA	24UACSA	30UACQA	30UACSA	36UACQA	36UACSA	36UACSA-B	42UACQA	42UACSA	42UACSA-B	48UACQA	48UACSA	48UACSA-B	60UACQA	60UACSA	60UACSA-B	
8552-032	Capacitor 35/370V	x	x	x	x													
8552-035	Capacitor 40/370V					x	x											
8552-028	Capacitor 35/440V								x	x								
8552-030	Capacitor 40/440V											x	x					
8552-031	Capacitor 45/440V														x	x		
8552-002	Capacitor 5/370V	x	x	x	x	x	x	x	x	x	x	x	x	x	x	x	x	x
8000-094	Compressor 702086-02-0820	x	x															
8000-095	Compressor 703087-06-0813			x	x													
8000-052	Compressor CRG3-0250-PFV					x	x											
8000-053	Compressor CRG3-0250-TF5							x										
8000-058	Compressor CRJ3-0300-PFV								x	x								
8000-059	Compressor CRJ3-0300-TF5										x							
8000-063	Compressor CRK3-0325-PFV											x	x					
8000-064	Compressor CRK3-0325-TF5													x				
8000-091	Compressor 703006-18-0733														x	x		
8000-031	Compressor AG122RT-003																	x
5051-044	Condenser Coil	x	x			x	x	x										
5051-043	Condenser Coil			x	x													
5051-045	Condenser Coil								x	x	x							
5051-046	Condenser Coil											x	x	x				
5051-047	Condenser Coil														x	x	x	
8401-007	Contactora 1P25A	x	x	x	x	x	x		x	x		x	x					
8401-003	Contactora 1P30A														x	x		
8401-002	Contactora							x			x			x				x
5151-035	Fan Blade	x	x	x	x	x	x	x										
5151-036	Fan Blade								x	x	x	x	x	x				
5151-037	Fan Blade														x	x	x	
7051-018	Fan & Motor Mount Grille	x	x	x	x	x	x	x	x	x	x	x	x	x	x	x	x	x
7051-019	Coil Grille	x	x	x	x	x	x	x	x	x	x	x	x	x				
7051-020	Coil Grille														x	x	x	
5201-011	Drier	x	x	x	x	x	x	x										
5201-012	Drier								x	x	x	x	x	x	x	x	x	
5625-063	Restrictor w/.063"orifice	x	x	x	x													
5625-069	Restrictor w/.069"orifice					x	x	x										
5625-078	Restrictor w/.078"orifice								x	x	x							
5625-081	Restrictor w/.081"orifice											x	x	x				
5625-092	Restrictor w/.092"orifice														x	x	x	
5651-051	Base valve 3/8"		x		x		x	x		x	x		x	x		x	x	
5651-053	Base valve 3/4"		x		x		x	x										
5651-054	Base valve 7/8"									x	x		x	x		x	x	
5651-055	Full Flow valve 3/8"	2	2	2	2	2	2	2										
5651-056	Full flow valve 1/2"								2	2	2	2	2	2	2	2	2	2
8102-010	Motor - fan	x	x	x	x	x	x	x										
8104-007	Motor - fan								x	x	x	x	x	x				
8105-028	Motor - fan														x	x	x	
4080-110	Wiring Diagram	x	x	x	x	x	x		x	x		x	x		x	x		
4080-210	Wiring Diagram							x			x			x				x

PARTS LIST
SINGLE PACKAGE AIR CONDITIONERS

9/87

PART NO.	DESCRIPTION	20WA2	24WA5
5152-030	Blower Housing 9-7	x	x
5152-028	Blower Wheel 9-7	x	x
5152-029	Blower Wheel 9-7	x	x
8552-045	Capacitor 30/370V	x	
8552-032	Capacitor 35/370V		x
8552-002	Capacitor 5/370V	x	x
8552-004	Capacitor 7.5/370V	x	x
5811-005	Capillary Tube - Cool	(2)	
5811-011	Capillary Tube - Cool		(2)
8000-093	Compressor H22B153ABCA	x	
8000-090	Compressor H22B233ABCA		x
5451-011	Motor Mounting Parts	x	x
5051-036	Condenser Coil	x	x
8401-007	Contactora - Comp. 25A	x	x
8401-006	Contactora - Heater 2P18	x	x
5060-048	Evaporator Coil	x	x
5151-033	Fan Blade F10H8.7	x	x
7004-006	Filter 14x25	x	x
8604-088	Heat Strip 4Kw	x	x
8604-089	Heat Strip 5Kw	x	x
8604-090	Heat Strip 8Kw	x	x
8604-091	Heat Strip 10Kw	x	x
8402-048	Limit Switch 160°	x	x
8102-009	Motor - Blower 1/6 hp	x	x
8103-016	Motor - Fan 1/5 hp	x	x
8200-023	Motor Mount - Fan	x	x
8201-009	Relay - Blower	x	x
8200-031	Motor Mount - Blower	x	x
5210-004	Strainer	x	x
8607-018	Terminal Board 24V	x	x
8607-013	Terminal Block 230V	x	x
8402-030	Thermal Cut-off	x	x
8407-034	Transformer 40VA	x	x

Minimum Net Billing \$15.00. Supersedes all previous lists.
Subject to change without notice.

PARTS LIST
SINGLE PACKAGE AIR CONDITIONERS

9/87

Part No.	Description	30WA 5	30WA 5-3	30WA 5-3 460V	36WA 6	36WA 6-3	36WA 6-3 460V
5152-030	Blower Housing 9-7	x	x	x	x	x	x
5152-028	Blower Wheel 9-7	x	x	x	x	x	x
5152-029	Blower Wheel 9-7	x	x	x	x	x	x
8552-032	Capacitor 35/370V	x					
8552-028	Capacitor 35/440V				x		
8552-002	Capacitor 5/370V	(2)	(2)	x	(2)	(2)	x
5811-008	Capillary Tube - Cool	(2)	(2)	(2)			
5811-033	Capillary Tube - Cool				(2)	(2)	(2)
8000-086	Compressor H21A293ABCA	x					
8000-053	Compressor CRG3-0275-TF5		x				
8000-054	Compressor CRG3-0250-TFD			x			
8000-058	Compressor CRJ3-0300-PFV				x		
8000-059	Compressor CRJ3-0300-TF5					x	
8000-060	Compressor CRJ3-0300-TFD						x
5051-035	Condenser Coil	x	x	x	x	x	x
8401-007	Contactator - 1P25A	x			x		
8401-002	Contactator - 3P25A		x	x		x	x
8401-006	Contactator - Heat 2P18A	x	x		x	x	
5060-037	Evaporator Coil	x	x	x	x	x	x
5151-032	Fan Blade F10H9.5-2022 ccw	x	x	x	x	x	x
7004-008	Filter 15 x 30-5/8	x	x	x	x	x	x
8614-006	Fuse - Heater 30A	x			x		
8614-022	Fuse - Compressor 60A	x			x		
8614-017	Fuse Block 15Kw	x			x		
8604-089	Heat Strip 5Kw	x			x		
8604-091	Heat Strip 10Kw	x			x		
8604-047	Heat Strip 15Kw	x	x		x	x	
8604-049	Heat Strip 6Kw		x			x	
8604-048	Heat Strip 9Kw		x			x	
8604-046	Heat Strip 12Kw		x			x	
8604-079	Heat Strip 6Kw			x			x
8604-072	Heat Strip 9Kw			x			x
8604-051	Heat Strip 12Kw			x			x
8604-052	Heat Strip 15Kw			x			x
8402-031	Limit Switch 155°	x	x	x	x	x	x
8105-029	Motor - Blower 1/3 hp	x	x		x	x	
8105-015	Motor - Blower 1/3 hp			x			x
8103-019	Motor - Fan 1/5 hp	x	x		x	x	
8103-014	Motor - Fan 1/5 hp			x			x
8200-001	Motor Mount - Fan	x	x	x	x	x	x
8201-009	Relay - Blower	x	x		x	x	
8201-032	Relay - Blower			x			x
5210-004	Strainer	x	x	x	x	x	x
8607-018	Terminal Board 24V	x	x	x	x	x	x
8607-013	Terminal Block 230V 2 pole	x			x		
8607-014	Terminal Block 3 pole		x	x		x	x
8607-015	Phenolic Insulator			x			x
8407-027	Transformer			x			x
8407-034	Transformer	x	x		x	x	
8402-032	Thermal Cutoff	x	x	x	x	x	x
8200-031	Motor Mount - Blower	x	x		x	x	

Subject to change without notice. Supersedes all previous lists.

PARTS LIST

SINGLE PACKAGE AIR CONDITIONERS

9/87

Part No.	Description	42WA	42WA-3	49WA	49WA-3	60WA	60WA-3	42WA-3 460V	49WA-3 460V	60WA-3 460V
*	Blower Housing	x	x	x	x	x	x	x	x	x
5152-011	Blower Wheel DD10-8A	x	x	x	x	x	x	x	x	x
5152-012	Blower Wheel DD10-8A	x	x	x	x	x	x	x	x	x
8552-028	Capacitor - Comp. 35/440V	x								
8552-005	Capacitor - Blower 10/370V	x	x	x	x	x	x	x	x	x
8552-026	Capacitor - Fan 15/370V	x	x	x	x	x	x	x	x	x
8552-030	Capacitor - Comp. 40/440V			x						
8552-031	Capacitor - Comp. 45/440V					x				
5811-021	Capillary Tube - Cool	(2)	(2)					(2)		
5811-020	Capillary Tube - Cool			(2)	(2)				(2)	
5811-032	Capillary Tube - Cool					(2)	(2)			(2)
8000-058	Compressor CRJ3-0300	x								
8000-059	Compressor CRJ3-0300		x							
8000-063	Compressor CRK3-0325			x						
8000-064	Compressor CRK3-0325				x					
8000-091	Compressor H23A543ABCA					x				
8000-031	Compressor AG122RT						x			
8000-060	Compressor CRJ3-0300							x		
8000-065	Compressor CRK3-0325								x	
8000-048	Compressor AG122UT									x
5051-027	Condenser Coil	x	x					x		
5051-028	Condenser Coil			x	x	x	x		x	x
8401-007	Contactator - Comp. 1P25A	x								
8401-002	Contactator - 3P25A		x		x			x	x	x
8401-006	Contactator - Heater 24V	x	x	x	x	x	x			
8401-003	Contactator - Comp. 1P30A			x						
8401-016	Contactator - 1P35A					x				
8401-011	Contactator 3P30A						x			
5060-025	Evaporator Coil	x	x	x	x			x	x	
5060-039	Evaporator Coil					x	x			x
5151-027	Fan Blade B2430-4 ccw	x	x	x	x	x	x	x	x	x
7004-016	Filter 20x30	x	x	x	x	x	x	x	x	x
8614-022	Fuse 60A	x		x		x				
8614-006	Fuse 30A	x		x		x				
8614-007	Fuse 60A	x		x		x				
8614-017	Fuse Block 15Kw	x		x		x				
8614-018	Fuse Block 20Kw	x		x		x				
8604-089	Heat Strip 5Kw	x		x		x				
8604-091	Heat Strip 10Kw	x		x		x				
8604-047	Heat Strip 15Kw	x	x	x	x	x	x			
8604-048	Heat Strip 9Kw		x		x		x			
8604-046	Heat Strip 12Kw		x		x		x			
8604-050	Heat Strip 9Kw							x	x	x
8604-051	Heat Strip 12Kw							x	x	x
8604-052	Heat Strip 15Kw							x	x	x
8604-087	Heat Strip 18kw 460v							x	x	x

PARTS LIST

SINGLE PACKAGE AIR CONDITIONERS

8/86

Part No.	Description	42WA	42WA-3	49WA	49WA-3	60WA	60WA-3	42WA-3 460V	49WA-3 460V	60WA-3 460V
8402-047	Limit Switch L180-7	x	x	x	x	x	x	x	x	x
* 8106-023	Motor - Blower 1/2 hp	x	x	x	x	x	x	x	x	x
8105-021	Motor - Fan 1/3 hp	x	x	x	x	x	x	x	x	x
8201-009	Relay - Blower	x	x	x	x	x	x			
8201-008	Relay - Blower Heat/Cool							x	x	x
8200-004	Motor Mount - Fan	x	x	x	x	x	x	x	x	x
5210-005	Strainer	x	x	x	x	x	x	x	x	x
* 8607-018	Terminal Board 24V	x	x	x	x	x	x	x	x	x
8607-013	Terminal Block 230V	x		x		x				
8607-014	Terminal Block 230V		x		x		x	x	x	x
8402-032	Thermal Cutoff	x	x	x	x	x	x	x	x	x
8407-034	Transformer 40VA	x	x	x	x	x	x	x	x	x
8407-004	Transformer - Stepdown							x	x	x
8607-015	Phenolic Insulator							x	x	x
8607-017	Terminal Block							x	x	x

*Please order by model number.

**Denotes change.

Minimum net billing \$15.00. Supersedes all previous lists. Subject to change without notice.

PARTS LIST
SINGLE PACKAGE AIR CONDITIONERS

11/87

PART NO.	DESCRIPTION	P25A	P31A1	P31A1-C 460V	P36A5	P36A5-B	P36A5-C 460V	A-B
* 5152-008	Blower Housing	x	x	x	x	x	x	x
5152-010	Blower Wheel DD10-4A	x						x
5152-013	Blower Wheel DD10-7A		x	x				
5152-013	Blower Wheel DD10-8A				x	x	x	
8552-032	Capacitor - Comp. 35/370V	x						
8552-007	Capacitor - Comp. 20/15-370V		x					
8552-035	Capacitor - Comp. 40/370V				x			
8552-002	Capacitor - Fan & Blower 5/370V	x	x	x	x	x	x	x
5811-009	Capillary Tube - Cool	(2)						(2)
5811-014	Capillary Tube - Cool		(2)	(2)				
5811-033	Capillary Tube - Cool				(2)	(2)	(2)	
8000-090	Compressor - H22B233ABCA	x						
8000-070	Compressor - AB233HT		x					
8000-054	Compressor - CRC3-0250-TFD			x				
8000-055	Compressor - CRH3-0275-PFV				x			
8000-056	Compressor - CRH3-0275-TF5					x		
8000-057	Compressor - CRH3-0275-TFD						x	
5051-034	Condenser Coil	x						x
5051-035	Condenser Coil		x	x	x	x	x	
8401-007	Contactora - Comp. 1P25A	x	x		x			
8401-002	Contactora - Comp. 3P25A			x		x	x	x
5060-037	Evaporator Coil	x	x	x	x	x	x	x
5151-034	Fan Blade BT2026-2	x						
5151-004	Fan Blade TP2026		x	x	x	x	x	
8105-032	Motor - Blower 1/3 hp ccw	x						x
8105-024	Motor - Blower 1/3 hp ccw		x		x	x		
8103-016	Motor - Fan 1/5 hp cw	x						x
8103-009	Motor - Fan 1/5 hp cw				x	x		
8105-016	Motor - Blower 1/3 hp ccw			x			x	
8103-014	Motor - Fan 1/5 hp cw			x			x	
8200-003	Motor Mount - Blower	x	x	x	x	x	x	x
8200-001	Motor Mount - Fan	x	x	x	x	x	x	x
5451-011	Motor Mounting Parts	x	x	x	x	x	x	x
7051-015	Wire Grille - Inlet	(2)	(2)	(2)	(2)	(2)	(2)	(2)
7051-001	Condenser Grille	x	x	x	x	x	x	x
8201-008	Relay - Blower	x	x	x	x	x	x	x
5210-004	Strainer	x	x	x	x	x	x	x
8607-006	Terminal Board 24V	x	x	x	x	x	x	x
8607-013	Terminal Block	x	x		x			
8607-014	Terminal Block			x		x	x	x
8607-015	Phenolic Insulator			x			x	
8407-034	Transformer 40VA	x	x		x	x		x
8407-027	Transformer 48VA			x			x	
8000-097	Compressor AB260RT							x
4063-110	Wiring Diagram				x			
4063-111	Wiring Diagram		x					
4063-114	Wiring Diagram	x						
4063-210	Wiring Diagram					x		
4063-212	Wiring Diagram							
4063-310	Wiring Diagram			x			x	
8201-032	Relay Blower			x			x	

*Please order by model number. Minimum net billing \$15.00.
Supersedes all previous lists. Subject to change without notice.

PARTS LIST
SINGLE PACKAGE AIR CONDITIONERS

11/87

Part No.	Description	P48A5	P48A5-B	P60A6	P60A6-B	P48A5-C 460V	P60A6-C 460V
*	Blower Housing 10-10	x	x	x	x	x	x
5152-015	Blower Wheel DD10-10A	x	x	x	x	x	x
8552-030	Capacitor 40/440V	x					
8552-005	Capacitor 10/370V	x	x	x	x	x	x
8552-026	Capacitor 15/370V	x	x			x	
8552-031	Capacitor 45/440V			x			
8552-004	Capacitor 7½/370V			x	x		x
5811-033	Capillary Tube - Cool	(3)	(3)			(3)	
5811-032	Capillary Tube - Cool			(2)	(2)		(2)
8000-081	Compressor AV168ET	x					
8000-082	Compressor AV169RT		x				
8000-083	Compressor AV169TT					x	
8000-091	Comp. 703006-18-0733			x			
8000-031	Compressor AG122RT				x		
8000-048	Compressor AG122UT						x
5051-027	Condenser Coil	x	x			x	
5051-028	Condenser Coil			x	x		x
8401-007	Contactora 1P25A	x					
8401-002	Contactora 3P25A		x			x	x
8401-016	Contactora 1P35A			x			
8401-011	Contactora 3P30A				x		
5060-036	Evaporator Coil	x	x			x	
5151-029	Fan Blade T10H08-2436	x	x			x	
5151-030	Fan Blade T10H08-2428			x	x		x
7051-007	Wire Grille - Inlet	(2)	(2)	(2)	(2)	(2)	(2)
7051-005	Condenser Grille	x	x	x	x	x	x
8106-015	Motor - Blower 1/2 hp	x	x	x	x	x	x
8105-021	Motor - Fan 1/3 hp	x	x			x	
8106-016	Motor - Fan 1/2 hp			x	x		x
5451-011	Motor Mounting Parts	x	x	x	x	x	x
8200-004	Motor Mount - Fan	x	x	x	x	x	x
8200-028	Motor Mount - Blower	x	x	x	x	x	x
8201-008	Relay - Blower	x	x	x	x	(2)	(2)
5210-009	Strainer	x	x			x	
5210-005	Strainer			x	x		x
8607-006	Terminal Board 24V	x	x	x	x	x	x
8607-013	Terminal Block	x		x			
8607-014	Terminal Block		x		x	x	x
8407-034	Transformer 40VA	x	x	x	x		
8407-004	Stepdown Transformer					x	x
5060-039	Evaporator Coil			x	x		x
8607-017	Terminal Block					x	x
4064-110	Wiring Diagram	x					
4064-210	Wiring Diagram		x		x		
4064-310	Wiring Diagram					x	x
4064-111	Wiring Diagram			x			
8407-035	Transformer 55VA		x		x	x	x

*Please order by part number. Minimum net billing \$15.00
Supersedes all previous lists. Subject to change without notice.

PARTS LIST

SINGLE PACKAGE AIR CONDITIONERS

6/87

Part No.	Description	P1024A1	P1030A1	P1036A1	P1045A1
* *	Blower Housing	x	x	x	
5152-008	Blower Housing 10-10 Blower Wheel DD10-4A	x			x
5152-005	Blower Wheel DD9-8A		x		
5152-013	Blower Wheel DD10-8A			x	
5152-015	Blower Wheel DD10-10A				x
8552-027	Capacitor - Comp. 25/370V	x			
8552-032	Capacitor - Comp. 35/370V		x		
8552-035	Capacitor - Comp. 40/370			x	
8552-002	Capacitor - Fan & Blower 5/370V	x	x	x	
8552-028	Capacitor 35/440V				x
8552-005	Capacitor 10/370V				x
8552-026	Capacitor 15/370V				x
5811-011	Capillary Tube - Cool	(2)			
5811-014	Capillary Tube - Cool		(2)		
5811-001	Capillary Tube - Cool			(5)	(6)
8000-098	Compressor H23B203ABCA	x			
8000-099	Compressor H23B283ABCA		x		
8000-052	Compressor CRG3-0250-PFV			x	
8000-058	Compressor CRJ3-0300-PFV				x
5051-035	Condenser Coil	x	x		
5051-050	Condenser Coil			x	
5051-051	Condenser Coil				x
8401-007	Contacto - Comp. 1P25A	x	x	x	x
5060-050	Evaporator Coil			x	
5060-037	Evaporator Coil	x	x		
5060-051	Evaporator Coil				x
5151-034	Fan Blade BT2026-2	x			
5151-004	Fan Blade TP2026		x	x	
5151-029	Fan Blade T10H08-2436				x
7051-015	Wire Grille	(2)	(2)	(2)	
7051-007	Wire Grille				(2)
7051-001	Condenser Grille	x	x	x	
7051-005	Condenser Grille				x
8105-032	Motor - Blower 1/3 hp ccw	x			
8105-024	Motor - Blower 1/3 hp ccw		x	x	
8106-015	Motor - Blower 1/2 hp				x
8103-016	Motor - Fan 1/5 hp cw	x			
8103-009	Motor - Fan 1/5 hp cw		x	x	
8105-021	Motor - Fan 1/3 hp				x
8200-003	Motor Mount - Blower	x	x	x	
8200-004	Motor Mount - Fan				x
8200-028	Motor Mount - Blower				x
8200-001	Motor Mount - Fan	x	x	x	
5451-011	Motor Mounting Part	x	x	x	x

PARTS LIST

SINGLE PACKAGE AIR CONDITIONERS

2/87

Part No.	Description	P1024A1	P1030A1	P1036A1	P1045A1
8201-008	Relay - Blower	x	x	x	x
5210-004	Strainer	x	x		
5210-009	Strainer				x
8607-006	Terminal Board 24V	x	x	x	x
8607-013	Terminal Block	x	x	x	x
5210-011	Strainer			x	
8407-034	Transformer 40VA	x	x	x	x
4063-116	Wiring Diagram		x	x	
4063-117	Wiring Diagram	x			
4064-113	Wiring Diagram				x

Minimum Net Billing \$15.00. Supersedes all previous lists.

Subject to change without notice.

*Please order by model number.

PARTS LIST
SINGLE PACKAGE AIR CONDITIONERS

5/87

PART NO.	DESCRIPTION	MU30A	MU36C	MU42D
*	Blower Housing 10-8	x	x	x
5152-013	Blower Wheel DD10-8A	x	x	x
8552-007	Capacitor 20/15-370V	x		
8552-035	Capacitor 40/370V		x	
8552-030	Capacitor 40/440V			x
8552-002	Capacitor 5/370V	x	x	x
5811-031	Capillary Tube - Cool	(3)	(4)	(4)
8000-070	Compressor AB233HT	x		
8000-055	Compressor CRH3-0275		x	
8000-063	Compressor CRK3-0325			x
5051-032	Condenser Coil	x	x	x
8401-007	Contactoer 1P25A	x	x	x
5060-015	Evaporator Coil	x		
5060-033	Evaporator Coil		x	
5060-030	Evaporator Coil			x
5151-028	Fan Blade Y10H9.5-2028	x	x	x
7051-014	Fan Guard	x	x	x
8105-024	Motor - Blower 1/3 hp	x	x	x
8105-023	Motor - Fan 1/3	x	x	x
8200-003	Motor Mount - Blower	x	x	x
8200-022	Motor Mount - Fan	x	x	x
5451-011	Motor Mounting Parts	x	x	x
5451-009	Motor Mounting Parts	x	x	x
5153-022	Rain Shield	x	x	x
5210-006	Strainer		x	x
5210-003	Strainer	x		
8607-013	Terminal Block	x	x	x
8607-006	Terminal Board	x	x	x
8407-034	Transformer 40VA	x	x	x
7051-016	Wire Grille	x	x	x
8201-008	Relay - Blower	x	x	x
4058-110	Wiring Diagram	x		
4058-120	Wiring Diagram		x	x

*Please order by model number.

Minimum net billing \$15.00. Supersedes all previous lists.
Subject to change without notice.

PARTS LIST
SINGLE PACKAGE AIR CONDITIONERS

3/87

Part No.	Description	RPMA30A	RPMA30A-B	RPMA36A	RPMA36A-B	RPMA30A-C	RPMA36A-C
*	Blower Housing	x	x	x	x	x	x
5152-005	Blower Wheel DD9-8A	x	x			x	
5152-010	Blower Wheel DD10-7A			x	x		x
8552-032	Capacitor - Comp. 35/370V	x					
8552-019	Capacitor - Blower 5/440V	x	x	x	x	x	x
8552-002	Capacitor - Fan 5/370V	x	x	x	x	x	x
8552-035	Capacitor - Comp. 40/370V			x			
5811-031	Capillary Tube	(3)	(3)			(3)	
5811-017	Capillary Tube			(2)	(2)		(2)
8000-086	Compressor 701268-06-0433	x					
8000-053	Compressor CRG3-0250-TF5-270		x				
8000-054	Compressor CRG3-0250-TFD-270					x	
8000-055	Compressor CRH3-0275-PFV-270			x			
8000-056	Compressor CRH3-0275-TF5-270				x		
8000-057	Compressor CRH3-0275-TFD-270						x
5051-035	Condenser Coil	x	x	x	x	x	x
8401-007	Contactora 1P25A	x		x			
8401-002	Contactora 3P25A		x		x	x	x
5060-012	Evaporator Coil	x	x			x	
5060-022	Evaporator Coil			x	x		x
5151-031	Fan Blade A-1831-5 cw	x	x	x	x	x	x
7051-014	Fan Guard	x	x	x	x	x	x
7004-015	Filter 24x24x1	x	x	x	x	x	x
8105-010	Motor - Blower 1/3 hp	x	x	x	x	x	x
8103-013	Motor - Fan	x	x	x	x	x	x
8200-003	Motor Mount - Blower	x	x	x	x	x	x
8200-022	Motor Mount - Fan	x	x	x	x	x	x
5451-009	Motor Mounting Parts - Fan	x	x	x	x	x	x
5451-011	Motor Mounting Parts	x	x	x	x	x	x
8607-015	Phenolic Insulator					x	x
5153-022	Rain Shield	x	x	x	x	x	x
8201-008	Relay - Blower	x	x	x	x	x	x
5210-003	Strainer	x	x			x	
5210-004	Strainer			x	x		x
8607-006	Terminal Board	x	x	x	x	x	x
8607-013	Terminal Block	x		x			
8607-014	Terminal Block		x		x	x	x
8407-034	Transformer 40VA	x	x	x	x	x	x
8407-003	Transformer 1.5 KVA					x	x
8607-017	Terminal Block					x	x
4072-110	Wiring Diagram	x		x			
4072-210	Wiring Diagram		x		x		
4072-310	Wiring Diagram					x	x

Minimum net billing \$15.00. Supersedes all previous lists.

Subject to change without notice.

*Please order by model number.

PARTS LIST
SINGLE PACKAGE AIR CONDITIONERS

2/87

Part No.	Description	RPMA 42	RPMA 42-B	RPMA 42-C	RPMA 48	RPMA 48-B	RPMA 48-C	RPMA 60	RPMA 60-B	RPMA 60-C
*	Blower Housing	x	x	x	x	x	x	x	x	x
5152-014	Blower Wheel 10-9	x	x	x	x	x	x			
5152-049	Blower Wheel 10-10							x	x	x
8552-030	Capacitor - Comp. 40/440V				x					
8552-043	Capacitor - Comp. 45/370V							(2)		
8552-004	Capacitor - Blower 7½/370V	x	x	x	x	x	x			
8552-026	Capacitor - Blower/Fan 15/370V	x	x	x	x	x	x	(2)	(2)	(2)
8552-028	Capacitor - Comp. 35/440V	x								
5811-012	Capillary Tube	(4)	(4)	(4)						
5811-007	Capillary Tube				(3)	(3)	(3)			
5811-017	Capillary Tube							(4)	(4)	(4)
8000-058	Compressor CRJ3-0300-PFV	x								
8000-059	Compressor CRJ3-0300-TF5		x							
8000-060	Compressor CRJ3-0300-TFD			x						
8000-081	Compressor AV168ET				x					
8000-082	Compressor AV169RT					x				
8000-083	Compressor AV169TT						x			
8000-074	Compressor AG134ET							x		
8000-075	Compressor AG134RT								x	
8000-049	Compressor AG133UT									x
5051-027	Condenser Coil	x	x	x	x	x	x	x	x	y
8401-007	Contacto 25A 1P	x								
8401-003	Contacto 30A 1P				x					
8401-016	Contacto 35A 1P							x		
8401-002	Contacto 25A 3P		x	x		x	x			x
8401-011	Contacto 30A 3P								x	
5060-030	Evaporator coil	x	x	x						
5060-029	Evaporator coil				x	x	x			
5060-038	Evaporator coil							x	x	x
5151-026	Fan Blade	x	x	x	x	x	x	x	x	x
8106-017	Motor - Blower	x	x	x	x	x	x			
8106-020	Motor - Blower							x	x	x
8106-021	Motor - Fan	x	x	x	x	x	x	x	x	x
8200-003	Motor Mount - Blower	x	x	x	x	x	x			
8200-027	Motor Mount - Fan	x	x	x	x	x	x	x	x	x
5451-011	Motor Mounting Parts	x	x	x	x	x	x	x	x	x
5153-022	Rain Shield	x	x	x	x	x	x	x	x	x
8201-008	Relay - Blower	x	x	(2)	x	x	(2)	x	x	(2)
5210-006	Strainer	x	x	x				x	x	x
5210-003	Strainer				x	x	x			
8607-013	Terminal Block	x			x			x		
8607-014	Terminal Block		x	x		x	x		x	x
8607-006	Terminal Board	x	x	x	x	x	x	x	x	x
7004-019	Filter 16x30x1	(2)	(2)	(2)	(2)	(2)	(2)	(2)	(2)	(2)
8607-015	Phenolic Insulator			x			x			x
8407-034	Transformer (40VA)	x	x	x	x	x	x	x	x	x
8407-004	Transformer (2KVA)	x			x			x		
7051-017	Condenser Grille	x	x	x	x	x	x	x	x	
8200-028	Motor Mount							x	x	x
8607-017	Terminal Block			x			x			x

PARTS LIST
SINGLE PACKAGE AIR CONDITIONERS

3/87

Part No.	Description	RPMA 42	RPMA 42-B	RPMA 42-C	RPMA 48	RPMA 48-B	RPMA 48-C	RPMA 60	RPMA 60-B	RPMA 60-C
4075-110	Wiring Diagram	x								
4075-120	Wiring Diagram				x					
4075-130	Wiring Diagram							x		
4075-210	Wiring Diagram		x							
4075-220	Wiring Diagram					x				
4075-230	Wiring Diagram								x	
4075-310	Wiring Diagram			x						
4075-320	Wiring Diagram						x			
4075-330	Wiring Diagram									x

Minimum net billing \$15.00. Supersedes all previous lists.
 Subject to change without notice.

PARTS LIST

Single Package Air Conditioners

9/87

Part No.	Description	MAC30A	MAC30A-A05	MAC30A-A10	MAC30A-A15	MAC30A-A00/C	MAC30A-A05/C	MAC30A-A10/C	MAC30A-A15/C	MAC36A	MAC36A-A05	MAC36A-A10	MAC36A-A15	MAC36A-A00/C	MAC36A-A05/C	MAC36A-A10/C	MAC36A-A15/C	
5152-054	Blower Housing	x	x	x	x	x	x	x	x	x	x	x	x	x	x	x	x	x
5152-055	Blower Wheel	x	x	x	x	x	x	x	x	x	x	x	x	x	x	x	x	x
5152-056	Blower Wheel	x	x	x	x	x	x	x	x	x	x	x	x	x	x	x	x	x
8552-035	Capacitor 40/370V	x	x	x	x	x	x	x	x									
8552-028	Capacitor 35/440V									x	x	x	x	x	x	x	x	x
8552-002	Capacitor 5/370V	x	x	x	x	x	x	x	x	x	x	x	x	x	x	x	x	x
8552-004	Capacitor 7½/370V	x	x	x	x	x	x	x	x	x	x	x	x	x	x	x	x	x
8000-092	Compressor H23A303ABCA	x	x	x	x	x	x	x	x									
8000-087	Compressor H23A383ABCA									x	x	x	x	x	x	x	x	x
5051-048	Condenser Coil	x	x	x	x	x	x	x	x	x	x	x	x	x	x	x	x	x
8401-007	Contactora	x	x	x	x	x	x	x	x	x	x	x	x	x	x	x	x	x
8401-006	Contactora		x	x			x	x			x	x			x	x		
8401-002	Contactora				x				x				x					x
5060-048	Evaporator Coil	x	x	x	x	x	x	x	x	x	x	x	x	x	x	x	x	x
5151-032	Fan Blade	x	x	x	x	x	x	x	x	x	x	x	x	x	x	x	x	x
7004-006	Filter 14x25x1	x	x	x	x	x	x	x	x	x	x	x	x	x	x	x	x	x
8614-022	Fuse TR60				2								2					
8614-006	Fuse OT30				2								2					
8614-017	Fuse Block 15kw				1								1					
7051-021	Grille - Condenser	x	x	x	x	x	x	x	x	x	x	x	x	x	x	x	x	x
7051-022	Grille - Inlet	x	x	x	x	x	x	x	x	x	x	x	x	x	x	x	x	x
8604-089	Heat Strip 5kw		1				1				1					1		
8604-091	Heat Strip 10kw			1				1				1					1	
8604-047	Heat Strip 15kw				1				1				1					1
8402-049	Limit Control		x	x	x		x	x	x		x	x	x		x	x	x	x
8106-022	Motor - Evaporator	x	x	x	x	x	x	x	x	x	x	x	x	x	x	x	x	x
8103-019	Motor - Condenser	x	x	x	x	x	x	x	x	x	x	x	x	x	x	x	x	x
8200-001	Motor Mount (Fan)	x	x	x	x	x	x	x	x	x	x	x	x	x	x	x	x	x
8200-032	Motor Mount (Blower)	x	x	x	x	x	x	x	x	x	x	x	x	x	x	x	x	x
8201-009	Relay - Blower	x	x	x	x	x	x	x	x	x	x	x	x	x	x	x	x	x
8607-013	Terminal Block		x	x							x	x						
8607-018	Terminal Board	x	x	x	x	x	x	x	x	x	x	x	x	x	x	x	x	x
8402-030	Thermal Cutoff		1	2	3		1	2	3		1	2	3		1	2	3	
8407-034	Transformer	x	x	x	x	x	x	x	x	x	x	x	x	x	x	x	x	x
8615-010	Circuit Breaker													1	1			
8615-014	Circuit Breaker					1	1											
8615-016	Circuit Breaker							1	1								1	1
8615-013	Circuit Breaker							1	1								1	1
4081-110	Wiring Diagram	x								x								
4081-111	Wiring Diagram		x			x					x			x				
4081-120	Wiring Diagram						x								x			
4081-121	Wiring Diagram							x								x		
4081-130	Wiring Diagram			x								x						
4081-131	Wiring Diagram							x									x	
4081-140	Wiring Diagram				x								x					
4081-141	Wiring Diagram								x									x

Supersedes all previous lists. Subject to change without notice.

**PARTS LIST
SPLIT SYSTEM HEAT PUMPS**

3/87

Part No.	Description	18HPQ4	24HPQ4	30HPQ5	30HPQ5-B	30HPQ5-C 460V	36HPQ5	36HPQ5-B	36HPQ5-C 460V
5202-001	Accumulator	x							
5202-003	Accumulator		x	x	x	x			
5202-004	Accumulator			x	x		x	x	x
8552-002	Capacitor 5/370V	x	x	x	x	x	x	x	x
8552-007	Capacitor 20/15-370V		x						
8552-027	Capacitor 25/370V	x							
8552-030	Capacitor 40/440V						x		
8552-035	Capacitor 40/370V			x					
8552-028	Capacitor 35/440V								
5811-007	Capillary Tube - Heat	x							
5811-021	Capillary Tube - Heat		x						
5811-020	Capillary Tube - Heat			x	x	x			
5811-023	Capillary Tube - Heat						x	x	x
5651-036	Check Valve	x	x	x	x	x	x	x	x
8000-061	Compressor RES3-0175-PFV	x							
8000-071	Compressor AB225HT		x						
8000-052	Compressor CRC3-0250-PFV			x					
8000-053	Compressor CRC3-0250-TF5				x				
8000-054	Compressor CRC3-0250-TFD					x			
8000-072	Compressor AV144ET						x		
8000-088	Compressor AV145RT							x	
8000-089	Compressor AV145TT								x
8000-087	Compressor H23A383ABCA								
5051-008	Condenser Coil	x	x						
5051-003	Condenser Coil			x	x	x	x	x	x
8401-007	Contactator - Comp. 25A	x	x	x					
8401-003	Contactator - Comp. 30A						x		
8401-002	Contactator - Comp. 25A				x	x		x	x
8408-017	Defrost Thermostat	x	x	x	x	x	x	x	x
5151-001	Fan Blade TF1839	x	x						
5151-007	Fan Blade TF2029			x	x	x	x	x	x
7051-009	Grille - Condenser	x	x						
7051-010	Wire Grille - Inlet	x	x						
7051-001	Grille - Condenser			x	x	x	x	x	x
7051-003	Wire Grille - Inlet			x	x	x	x	x	x
8406-010	High Pressure Switch	x	x	x	x	x	x	x	x
8103-008	Motor - Fan 1/5	x	x						
8103-009	Motor - Fan 1/5			x	x		x	x	
8103-014	Motor - Fan 1/5					x			x
8200-001	Motor Mount - Fan	x	x	x	x	x	x	x	x
5220-008	Muffler - Discharge			x	x	x	x	x	x
8201-047	Relay - Defrost	x	x	x	x	x	x	x	x
8201-032	Relay - Defrost					x			x
8201-015	Relay - Emergency Heat	x	x	x	x	x	x	x	x
8201-024	Relay - Compressor Fault	x	x	x			x		
5650-004	Reversing Valve	x							
5650-005	Reversing Valve		x						
5650-009	Reversing Valve			x	x				
5650-006	Reversing Valve					x	x	x	x
5650-008	Solenoid Coil	x	x	x	x	x	x	x	x

**PARTS LIST
SPLIT SYSTEM HEAT PUMPS**

3/87

Part No.	Description	18HPQ4	24HPQ4	30HPQ5	30HPQ5-B	30HPQ5-C 460V	36HPQ5	36HPQ5-B	36HPQ5-C 460V
5210-002	Strainer	x	x	x	x	x	x	x	x
8607-011	Terminal Board	x	x	x	x	x	x	x	x
8612-012	Timer	x	x	x	x	x	x	x	x
4026-110	Wiring Diagram	x							
4026-111	Wiring Diagram		x						
4028-110	Wiring Diagram			x			x		
4028-210	Wiring Diagram				x			x	
4028-310	Wiring Diagram					x			x

Minimum Net Billing \$15.00. Supersedes all previous lists.
Subject to change without notice.

PARTS LIST
SPLIT SYSTEM HEAT PUMPS

3/87

Part No.	Description	42HPQ2	42HPQ2-B	48HPQ5	48HPQ5-B	60HPQ5	60HPQ5-B	42HPQ2-C 460V	48HPQ5-C 460V	60HPQ5-C 460V
5202-007	Accumulator	x	x					x		
5202-005	Accumulator			x	x	x	x		x	x
8552-030	Capacitor 40/440V	x		x						
8552-043	Capacitor 45/370V					(2)				
8552-026	Capacitor 15/370V	x	x	x	x	x	x	x	x	x
5811-021	Capillary Tube - Heat			(2)	(2)				(2)	
5811-018	Capillary Tube - Heat	(2)	(2)					(2)		
5811-025	Capillary Tube - Heat					(2)	(2)			(2)
8000-072	Compressor AV144ET	x								
8000-088	Compressor AV145RT		x							
8000-081	Compressor AV168ET			x						
8000-082	Compressor AV169RT				x					
8000-074	Compressor AG134ET					x				
8000-075	Compressor AG134RT						x			
8000-089	Compressor AV145TT							x		
8000-083	Compressor AV169TT								x	
8000-049	Compressor AG133UT									x
5051-037	Condenser Coil	x	x					x		
5051-029	Condenser Coil			x	x	x	x		x	x
8401-003	Contactora - Comp. 30A	x		x						
8401-002	Contactora - Comp. 25A		x		x			x	x	x
8401-011	Contactora - Comp. 30A						x			
8401-016	Contactora - Comp. 35A					x				
5651-036	Check Valve	x	x	x	x	x	x	x	x	x
8407-003	Transformer - Stepdown							x	x	x
8408-017	Defrost Thermostat	x	x	x	x	x	x	x	x	x
5151-017	Fan Blade FA2430-4B	x	x	x	x	x	x	x	x	x
7051-005	Grille - Condenser	x	x	x	x	x	x	x	x	x
7051-004	Wire Grille - Inlet	x	x	x	x	x	x	x	x	x
8406-011	High Pressure Switch	x	x	x	x	x	x	x	x	x
8105-021	Motor - Fan 1/3	x	x	x	x	x	x	x	x	x
8200-004	Motor Mount - Fan	x	x	x	x	x	x	x	x	x
8201-047	Relay - Defrost	x	x	x	x	x	x	x	x	x
8201-024	Relay - Compressor Fault	x		x		x				
5650-006	Reversing Valve	x	x	x	x			x	x	
5650-010	Reversing Valve					x	x			x
5650-008	Solenoid Coil	x	x	x	x	x	x	x	x	x
5210-005	Strainer	x	x	x	x	x	x	x	x	x
8607-017	Terminal Block							x	x	x
8607-011	Terminal Block	x	x	x	x	x	x	x	x	x
8612-012	Timer	x	x	x	x	x	x	x	x	x
4039-110	Wiring Diagram	x								
4039-210	Wiring Diagram		x							
4039-310	Wiring Diagram							x		
4040-110	Wiring Diagram			x						
4040-111	Wiring Diagram					x				
4040-210	Wiring Diagram				x		x			
4040-310	Wiring Diagram								x	x

Minimum net billing \$15.00. Supersedes all previous lists.
Subject to change without notice.

**PARTS LIST
WATER SOURCE
SPLIT HEAT PUMPS**

Effective 9-1-84
Supersedes 4-27-83

Part No.	Description	WQS30	WQSD30	WQS36	WQSD36	WQS50	WQSD50
8552-007	Capacitor - Compressor 20/15 -370V	x	x				
8552-035	Capacitor - Compressor 40/370V			x	x		
8552-030	Capacitor - Compressor 40/440V					x	x
5811-033	Capillary Tube - Heating	(2)	(2)				
5811-017	Capillary Tube - Heating			(2)	(2)		
5811-021	Capillary Tube - Heating					(2)	(2)
5651-036	Check Valve	x	x	x	x	x	x
8000-071	Compressor AB225HT-015-A4	x	x				
8000-052	Compressor CRG3-0250-PFV-270			x	x		
8000-072	Compressor AV144ET-001-A4					x	x
5052-001	Condenser Coil	x	x				
5052-002	Condenser Coil			x	x		
5052-007	Condenser Coil					x	x
8401-007	Contactora - Compressor	x	x	x	x	x	x
5052-005	Desuperheater Coil VB-1/3		x		x		
5052-004	Desuperheater Coil VS-1/2						x
8406-016	High Pressure Switch	x	x	x	x	x	x
8406-015	Low Pressure Switch	x	x	x	x	x	x
8201-038	Relay - Staging and Changeover	(2)	(2)	(2)	(2)	(2)	(2)
8201-037	Relay - Lockout	x	x	x	x	x	x
5650-005	Reversing Valve	x	x				
5650-009	Reversing Valve			x	x		
5650-006	Reversing Valve					x	x
5650-008	Reversing Valve Solenoid	x	x	x	x	x	x
5210-004	Strainer - Heating	x	x	x	x		
5210-005	Strainer - Heating					x	x
8607-011	Terminal Board - 24V	x	x	x	x	x	x
8300-001	Water Pump 230V		x		x		x
8408-007	Water Pump Thermostat		x		x		x
5202-009	Accumulator	x	x	x	x		
5202-007	Accumulator					x	x
5650-011	Solenoid Valve GS300		x		x		x

Minimum Net Billing \$15.00. Supersedes all previous lists.
Subject to change without notice.

PARTS LIST
SINGLE PACKAGE HEAT PUMPS

9/87

Part No.	Description	18WH 5	24WH 5
5202-001	Accumulator	x	
5202-006	Accumulator		x
5152-030	Blower Housing 9-7	x	x
5152-028	Blower Wheel 9-7	x	x
5152-029	Blower Wheel 9-7	x	x
8552-045	Capacitor 30/370V	x	
8552-002	Capacitor 5/370V	x	x
8552-004	Capacitor 7½/370V	x	x
5811-031	Capillary Tube - Cool	(2)	
5811-019	Capillary Tube - Heat	x	
5811-036	Capillary Tube - Cool		(2)
5651-036	Check Valve	x	x
8000-093	Compressor H22B153ABCA	x	
8000-090	Compressor H22B233ABCA		x
5051-041	Condenser Coil	x	x
5811-017	Capillary Tube - Heat		x
8401-007	Contactactor - Compressor 25A	x	x
8401-006	Contactactor - Heater 2P18	x	x
8408-018	Defrost Thermostat	x	x
5060-048	Evaporator Coil	x	x
8552-032	Capacitor 35/370V		x
5151-033	Fan Blade F10H8.7	x	x
7004-006	Filter 14x25	x	x
8604-088	Heat Strip 4Kw	x	x
8604-090	Heat Strip 8Kw	x	x
8406-011	High Pressure Switch	x	x
8402-048	Limit Switch 160°	x	x
8102-009	Motor - Blower 1/6 hp	x	x
8103-016	Motor - Fan 1/5 hp	x	x
8200-023	Motor Mount - Fan	x	x
8201-009	Relay - Blower	x	x
8201-047	Relay - Defrost	x	x
8201-024	Relay - Compressor Fault	x	x
5650-004	Reversing Valve	x	
5650-009	Reversing Valve		x
5650-008	Solenoid Coil	x	x
5210-002	Strainer	(2)	(2)
8607-019	Terminal Board	x	x
8607-013	Terminal Block 230V	x	x
8402-030	Thermal Cut-off	x	x
8612-012	Timer	x	x
8407-035	Transformer	x	x
8200-031	Motor Mount - Blower	x	x
5411-011	Motor Mounting Parts	x	x
5210-004	Strainer	x	x

Minimum Net Billing \$15.00. Supersedes all previous lists.
Subject to change without notice.

PARTS LIST
SINGLE PACKAGE HEAT PUMPS

9/87

Part No.	Description	30WH5	30WH6-3	30WH5-3 460V	36WH6	36WH6-3	36WH6-3 460V *
5202-003	Accumulator	x	x	x			
5202-004	Accumulator				x	x	x
5152-030	Blower Housing 9-7	x	x	x	x	x	x
5152-028	Blower Wheel 9-7	x	x	x	x	x	x
5152-029	Blower Wheel 9-7	x	x	x	x	x	x
8552-035	Capacitor 40/370V	x					
8552-002	Capacitor 5/370	(2)	(2)	x	(2)	(2)	x
8552-028	Capacitor 35/440V				x		
5811-034	Capillary Tube - Cool	(2)	(2)	(2)	(2)	(2)	(2)
5811-016	Capillary Tube - Heat	x	x	x			
5811-020	Capillary Tube - Heat				x	x	x
5651-036	Check Valve	x	x	x	x	x	x
8000-052	Compressor CRG3-0250-PFV	x					
8000-053	Compressor CRG3-0250-TF5		x				
8000-054	Compressor CRG3-0250-TFD			x			
8000-087	Compressor H23A383ABCA				x		
8000-059	Compressor CRJ3-0300-TF5					x	
8000-060	Compressor CRJ3-0300-TFD						x
5051-003	Condenser Coil	x	x	x	x	x	x
8401-007	Contacto- Comp. 1P25A	x			x		
8401-002	Contacto- Comp. 3P25A		x	x		x	x
8401-006	Contacto - Heater 2P20	x	x		x	x	
8200-031	Motor Mount - Blower	x	x		x	x	
8408-018	Defrost Thermostat	x	x	x	x	x	x
5060-023	Evaporator Coil	x	x	x	x	x	x
5152-032	Fan Blade F10H9.5-2022 ccw	x	x	x	x	x	x
7004-008	Filter 15x30-5/8 x 1	x	x	x	x	x	x
8614-006	Fuse 30A	x			x		
8614-022	Fuse 60A	x			x		
8614-007	Fuse 60A	x			x		
8614-018	Fuse Block 15Kw	x			x		
8614-017	Fuse Block 60-30	x			x		
8604-089	Heat Strip 5Kw	x			x		
8604-091	Heat Strip 10Kw	x			x		
8604-047	Heat Strip 15Kw	x			x		
8604-049	Heat Strip 6Kw		x			x	
8604-048	Heat Strip 9Kw		x			x	
8604-079	Heat Strip 6Kw			x			x
8604-072	Heat Strip 9Kw			x			x
8605-010	Crankcase Heater				x		
8605-011	Crankcase Heater Retainer				x		

PARTS LIST
SINGLE PACKAGE HEAT PUMPS

3/87

Part No.	Description	30WH5	30WH5-3	30WH5-3 460V	36WH6	36WH6-3	36WH6-3 460V *
8406-010	High Pressure Switch	x	x	x	x	x	x
8402-031	High Limit Switch 155°	x	x	x	x	x	x
8105-029	Motor - Blower 1/3 hp	x	x		x	x	
8105-015	Motor - Blower 1/3 hp			x			x
8103-019	Motor - Fan 1/5 hp	x	x		x	x	
8103-014	Motor - Fan 1/5 hp			x			x
8200-001	Motor Mount - Fan	x	x	x	x	x	x
8201-009	Relay - Blower	x	x		x	x	
8201-032	Relay - Blower			x			x
8201-024	Relay - Compressor Fault	x			x		
8201-047	Relay - Defrost	x	x	x	x	x	x
8201-013	Relay - Emergency Heat	x	x	x	x	x	x
8607-015	Phenolic Insulator			x			x
5650-005	Reversing Valve	x	x	x			
5650-013	Reversing Valve				x	x	x
5650-008	Solenoid Coil	x	x	x	x	x	x
5210-004	Strainer	x	x	x	x	x	x
5210-002	Strainer	x	x	x	x	x	x
8607-019	Terminal Board 24V	x	x	x	x	x	x
8607-013	Terminal Block 2 Pole	x			x		
8607-014	Terminal Block 3 pole		x	x		x	x
8402-032	Thermal Cutoff	x	x	x	x	x	x
8612-012	Timer	x	x	x	x	x	x
8407-035	Transformer	x	x		x	x	
8407-037	Transformer 480-24V			x			x

Supersedes all previous lists.
Subject to change without notice.

*Model 36WH6-3 (460V 9Kw) requires high limit switch 8402-051, heat strip 8604-087 and does not require 8402-032 thermal cutoff.

**PARTS LIST
SINGLE PACKAGE HEAT PUMPS**

6/86

Part No.	Description	42WH	42WH-3	48WH5	48WH5-3	60WH	60WH-3	42WH-3 460V	48WH5-3 460V	60WH-3 460V
5202-005	Accumulator	x	x	x	x			x	x	
5202-010	Accumulator					x	x			x
5152-026	Blower Housing 10-8	x	x	x	x	x	x	x	x	x
5152-011	Blower Wheel DD10-8A	x	x	x	x	x	x	x	x	x
5152-012	Blower Wheel DD10-8A	x	x	x	x	x	x	x	x	x
8552-030	Capacitor 40/440V	x		x						
8552-026	Capacitor 15/370V	x	x	x	x	x	x	x	x	x
8552-005	Capacitor 10/370V	x	x	x	x	x	x	x	x	x
8552-043	Capacitor 45/370V					x				
5811-026	Capillary Tube - Heat			(2)	(2)				(2)	
5811-021	Capillary Tube - Cool			(2)	(2)				(2)	
5811-017	Capillary Tube - Heat	(2)	(2)					(2)		
5811-033	Capillary Tube - Cool	(3)	(3)					(3)		
5811-036	Capillary Tube - Heat					(4)	(4)			(4)
5811-025	Capillary Tube - Cool					(2)	(2)			(2)
5651-036	Check Valve	x	x	x	x	x	x	x	x	x
8000-072	Compressor AV144ET	x								
8000-088	Compressor AV145RT		x							
8000-081	Compressor AV168ET			x						
8000-082	Compressor AV169RT				x					
8000-074	Compressor AG134ET					x				
8000-075	Compressor AG134RT						x			
8000-089	Compressor AV145TT						x			
8000-083	Compressor AV169TT							x		
8000-049	Compressor AG133UT									x
5051-029	Condenser Coil	x	x	x	x			x	x	x
5051-038	Condenser Coil					x	x			x
8401-003	Contacto - Comp. 30A	x		x						
8401-002	Contacto - Comp. 25A		x		x			x	x	x
8401-006	Contacto - Heater 20A	x	x	x	x	x	x			
8401-010	Contacto - 2P30A (12-15Kw)		x		x		x			
8401-011	Contacto 3P30A						x			
8401-016	Contacto 1P35A					x				
8408-004	Defrost Mounting Plate					x	x			x
* 8408-016	Defrost Thermostat	x	x	x	x	x	x	x	x	x
5060-036	Evaporator Coil	x	x					x		
5060-025	Evaporator Coil			x	x				x	
5060-039	Evaporator Coil					x	x			x
5151-027	Fan Blade F12H9.5-2430	x	x	x	x	x	x	x	x	x
7004-016	Filter 20x30	x	x	x	x	x	x	x	x	x
8614-022	Fuse TR60			x		x				
8614-007	Fuse 60A	x	x	x	x	x	x			
8614-006	Fuse 30A	x	x	x	x	x	x			
8614-033	Fuse OT45		x		x		x			
8614-023	Fuse TR50	x	x		x	x	x			
8614-032	Fuse OT40		x		x		x			
8614-018	Fuse Block 10Kw	x		x		x				
8614-014	Fuse Block 15Kw	x		x		x				
8614-037	Fuse TR40		x							
8408-012	Defrost Thermostat					x	x			x

**PARTS LIST
SINGLE PACKAGE HEAT PUMPS**

9/87

Part No.	Description	42WH	42WH-3	48WH5	48WH5-3	60WH	60WH-3	42WH-3 460V	48WH5-3 460V	60WH-3 460V
8614-019	Fuse Block 15Kw	x	x	x	x	x	x			
8614-021	Fuse Block 9Kw		x		x		x			
8614-020	Fuse Block 12, 15, 18Kw		x		x		x			
8604-091	Heat Strip 10Kw	x		x		x				
8604-048	Heat Strip 9Kw		x		x		x			
8604-046	Heat Strip 12Kw		x		x		x			
8604-047	Heat Strip 15Kw	x	x	x	x	x	x			
8604-050	Heat Strip 9Kw							x	x	x
8604-051	Heat Strip 12Kw							x	x	x
8604-052	Heat Strip 15Kw							x	x	x
8406-010	High Pressure Switch	x	x	x	x	x	x	x	x	x
8402-047	Limit Switch L180-7	x	x	x	x	x	x	x	x	x
8106-023	Blower Motor 1/2 hp	x	x	x	x	x	x	x	x	x
8105-021	Motor - Fan 1/3 hp	x	x	x	x	x	x	x	x	x
8200-004	Motor Mount Fan	x	x	x	x	x	x	x	x	x
8201-008	Relay - Blower	x	x	x	x	x	x	x	x	x
8201-024	Relay - Compressor Fault	x		x		x				
8201-047	Relay - Defrost	x	x	x	x	x	x	x	x	x
8201-013	Relay - Emergency Heat	x	x	x	x	x	x	x	x	x
5650-006	Reversing Valve	x	x	x	x	x	x	x	x	x
5650-008	Solenoid Coil	x	x	x	x	x	x	x	x	x
5210-005	Strainer	x	x	(2)	(2)	x	x	x	(2)	x
5210-009	Strainer	x	x					x		
5210-006	Strainer					x	x			x
8607-015	Penolic Insulator							x	x	x
8607-019	Terminal Board 24V	x	x	x	x	x	x	x	x	x
8607-013	Terminal Block 230V	x		x		x				
8607-014	Terminal Block 230V		x		x		x	x	x	x
8402-032	Thermal Cutoff	x	x	x	x	x	x	x	x	x
8612-012	Timer	x	x	x	x	x	x	x	x	x
8407-035	Transformer	x	x	x	x	x	x	x	x	x
8407-004	Transformer - Stepdown							x	x	x
8607-017	Terminal block							x	x	x
8604-087	Heat Strip 9kw 480v							x	x	x

Supersedes all previous lists. Subject to change without notice.

PARTS LIST
SINGLE PACKAGE HEAT PUMPS

6/87

PART NO.	DESCRIPTION	PH25	PH314	PH364	PH364-B	PH364-C 460V
5202-003	Accumulator	x	x			
5202-004	Accumulator			x	x	x
*	Blower Housing 10-8	x	x	x	x	x
5152-013	Blower Wheel DD10-8A		x	x	x	x
5152-008	Blower Wheel DD10-4A	x				
8552-002	Capacitor - Fan & Blower 5/370	(2)	(2)	(2)	(2)	(2)
8552-032	Capacitor - Comp. 35/370V	x				
8552-035	Capacitor - Comp. 40/370V		x			
8552-028	Capacitor - Comp. 35/440V			x		
5811-037	Capillary Tube - Heat	(2)				
5811-009	Capillary Tube - Cool	(2)				
5811-034	Capillary Tube - Cool			(2)	(2)	(2)
5811-021	Capillary Tube - Heat			x	x	x
5811-014	Capillary Tube - Heat & Cool		(4)			
5651-036	Check Valve	x	x	x	x	x
5051-003	Condenser Coil			x	x	x
5051-042	Condenser Coil	x	x			
8000-090	Compressor - H22B233ABCA	x				
8000-092	Compressor - H23A303ABCA		x			
8000-058	Compressor - CRJ3-0300-PFV			x		
8000-059	Compressor - CRJ3-0300-TF5				x	
8000-060	Compressor - CRJ3-0300-TFD					x
8401-007	Contactors - 1P25A	x	x	x		
8401-002	Contactors - 3P25A				x	x
8605-010	Crankcase Heater		x			
8408-016	Defrost Thermostat	x	x	x	x	x
5060-037	Evaporator Coil	x				
5060-023	Evaporator Coil		x	x	x	x
5151-034	Fan Blade BT2026-2	x				
5151-004	Fan Blade TP2026 cw		x	x	x	x
8105-032	Motor - Blower 1/3 ccw	x				
8105-024	Motor - Blower 1/3 ccw		x	x	x	
8105-016	Motor - Blower 1/3 ccw					x
8103-016	Motor - Fan	x				
8103-009	Motor - Fan 1/5		x	x	x	
8103-014	Motor - Fan 1/5 cw					x
7051-001	Condenser Grille	x	x	x	x	x
7051-015	Wire Grille - Inlet	(2)	(2)	(2)	(2)	(2)
8406-010	High Pressure Switch	x	x	x	x	x
8200-003	Motor Mount - Blower	x	x	x	x	x
8200-001	Motor Mount - Fan	x	x	x	x	x
5451-011	Motor Mounting Parts	x	x	x	x	x

*Please order by model number.

PARTS LIST
SINGLE PACKAGE HEAT PUMPS

3/87

PART NO.	DESCRIPTION	PH25	PH314	PH364	PH364-B	PH364-C 460V
8201-008	Relay - Blower	x	x	x	x	
8201-032	Relay - Blower					(2)
8201-024	Relay - Compressor Fault	x	x	x		
8201-047	Relay - Defrost	x	x	x	x	x
8201-013	Relay - Emergency Heat	x	x	x	x	x
5650-005	Reversing Valve	x	x			
5650-013	Reversing Valve			x	x	x
5650-008	Solenoid Coil	x	x	x	x	x
5210-004	Strainer	(2)	(2)	x	x	x
5210-002	Strainer			x	x	x
8607-015	Phenolic Insulator					x
8607-010	Terminal Board 24V	x	x	x	x	x
8607-013	Terminal Block 230V	x	x	x		
8607-014	Terminal Block 230V				x	x
8612-012	Timer	x	x	x	x	x
8407-025	Transformer 55VA	x	x	x	x	
8407-037	Transformer - Stepdown					x
4065-110	Wiring Diagram			x		
4065-111	Wiring Diagram		x			
4065-114	Wiring Diagram	x				
4065-210	Wiring Diagram				x	
4065-310	Wiring Diagram					x

Minimum net billing \$15.00. Supersedes all previous lists.
Subject to change without notice.

PARTS LIST
SINGLE PACKAGE HEAT PUMPS

3/87

Part No.	Description	PH421	PH421-B	PH484	PH484-B	PH605	PH605-B	PH421-C 460V	PH484-C 460V	PH605-C 460V
5202-005	Accumulator	x	x	x	x			x	x	
5202-008	Accumulator					x	x			x
*	Blower Housing	x	x	x	x	x	x	x	x	x
5152-045	Blower Wheel 10-9	x	x					x		
5152-015	Blower Wheel DD10-10A			x	x	x	x		x	x
8552-030	Capacitor - Comp. 40/440V	x		x						
8552-005	Capacitor - Blower 10/370V	x	x	x	x	x	x	x	x	x
8552-026	Capacitor - Fan 15/370V	x	x	x	x			x	x	
8552-004	Capacitor - Fan 7½/370V					x	x			x
8552-043	Capacitor - Comp. 45/370V					(2)		(2)		
5811-016	Capillary Tube - Cool	(2)	(2)					(2)		
5811-020	Capillary Tube - Cool & Heat	(2)	(2)	(2)	(2)			(2)	(2)	
5811-027	Capillary Tube - Heat			(2)	(2)				(2)	
5811-027	Capillary Tube - Cool					(2)	(2)			(2)
5811-032	Capillary Tube - Heat					(2)	(2)			(2)
5651-036	Check Valve	x	x	x	x	x	x	x	x	x
5051-029	Condenser Coil	x	x	x	x	x	x	x	x	x
8000-063	Compressor CRK3-0325-PFV-270	x								
8000-064	Compressor CRK3-0325-TF5-270		x							
8000-065	Compressor CRK3-0325-TFD-270							x		
8000-081	Compressor AV168ET-005-A4			x						
8000-082	Compressor AV169RT-012-A4				x					
8000-083	Compressor AV169TT-013-A4								x	
8000-074	Compressor AG134ET-002-A4					x				
8000-075	Compressor AG134RT-002-A4						x			
8000-049	Compressor AG133UT-003-A4									x
8401-007	Contactors R8242A1008	x								
8401-002	Contactors 30D0-30		x		x			x	x	x
8401-003	Contactors R8243A1007			x						
8401-016	Contactors R8243A1189					x				
8401-011	Contactors 30E0-30						x			
8408-016	Defrost Thermostat	x	x	x	x	x	x	x	x	x
5060-025	Evaporator Coil	x	x	x	x	x	x	x	x	x
5151-029	Fan Blade T10H08-2436 ccw	x	x	x	x			x	x	
5151-030	Fan Blade T10H08-2428 ccw					x	x			x
7051-005	Condenser Grille	x	x	x	x	x	x	x	x	x
7051-007	Wire Grille - Inlet	(2)	(2)	(2)	(2)	(2)	(2)	(2)	(2)	(2)

*Please order by model number.

PARTS LIST
SINGLE PACKAGE HEAT PUMPS

3/87

Part No.	Description	PH421	PH421-B	PH484	PH484-B	PH605	PH605-B	PH421-C 460V	PH484-C 460V	PH605-C 460V
8406-010	High Pressure Switch	x	x	x	x	x	x	x	x	x
8106-015	Motor - Blower 1/2 hp	x	x	x	x	x	x	x	x	x
8105-021	Motor - Fan 1/3 hp	x	x	x	x			x	x	
8106-016	Motor - Fan 1/2 hp					x	x			x
8200-003	Motor Mount - Blower	x	x					x		
8200-004	Motor Mount - Fan	x	x	x	x	x	x	x	x	x
5451-011	Motor Mounting Parts	x	x	x	x	x	x	x	x	x
8201-008	Relay - Blower	x	x	x	x	x	x	x	x	x
8201-024	Relay - Compressor Fault	x		x		x				
8201-047	Relay - Defrost	x	x	x	x	x	x	x	x	x
8201-013	Relay - Emergency Heat	x	x	x	x	x	x	x	x	x
5650-006	Reversing Valve	x	x	x	x			x	x	
5650-010	Reversing Valve					x	x			x
5650-008	Reversing Valve Solenoid Coil	x	x	x	x	x	x	x	x	x
5210-005	Strainer	(2)	(2)	(2)	(2)	(2)	(2)	(2)	(2)	(2)
607-010	Terminal Board	x	x	x	x	x	x	x	x	x
607-013	Terminal Block	x		x		x				
8607-014	Terminal Block		x		x		x	x	x	x
8612-012	Timer 30/60 Min.	x	x	x	x	x	x	x	x	x
8407-035	Transformer	x	x	x	x		x	x	x	x
8407-004	Transformer - Stepdown							x	x	x
8201-045	Relay - Time Delay					x				
8407-036	Transformer					x				
8614-036	Circuit Breaker					x				
8200-028	Motor Mount			x	x	x	x		x	x
8607-017	Terminal Block							x	x	x
4066-110	Wiring Diagram					x				
4066-111	Wiring Diagram	x		x						
4066-210	Wiring Diagram		x		x		x			
4066-310	Wiring Diagram							x	x	x

Minimum net billing \$15.00. Supersedes all previous lists.
Subject to change without notice.

PARTS LIST
Single Package Heat Pumps

9/87

Part No.	Description	MHP30A	MHP30A-A05	MHP30A-A10	MHP30A-A00/C	MHP30A-A05/C	MHP30A-A10/C	MHP36A	MHP36A-A05	MHP36A-A10	MHP36A-A00/C	MHP36A-A05/C	MHP36A-A10/C
5152-054	Blower Housing	x	x	x	x	x	x	x	x	x	x	x	x
5152-055	Blower Wheel	x	x	x	x	x	x	x	x	x	x	x	x
5152-056	Blower Wheel	x	x	x	x	x	x	x	x	x	x	x	x
8552-032	Capacitor 35/370V	x	x	x	x	x	x						
8552-028	Capacitor 35/440V							x	x	x	x	x	x
8552-002	Capacitor 5/370V	x	x	x	x	x	x	x	x	x	x	x	x
8552-004	Capacitor 7½/370V	x	x	x	x	x	x	x	x	x	x	x	x
8000-099	Compressor H23B283ABCA	x	x	x	x	x	x						
8000-087	Compressor H23A383ABCA							x	x	x	x	x	x
5051-049	Condenser Coil	x	x	x	x	x	x	x	x	x	x	x	x
8401-007	Contactora	x	x	x	x	x	x	x	x	x	x	x	x
8401-006	Contactora		x	x		x	x		x	x		x	x
8201-047	Defrost Relay	x	x	x	x	x	x	x	x	x	x	x	x
5060-049	Evaporator Coil	x	x	x	x	x	x	x	x	x	x	x	x
5151-032	Fan Blade	x	x	x	x	x	x	x	x	x	x	x	x
7004-006	Filter 14x25x1	x	x	x	x	x	x	x	x	x	x	x	x
8614-022	Fuse TR60			2						2			
8614-006	Fuse OT30			2						2			
8614-017	Fuse Block			x						x			
7051-021	Grille - Condenser	x	x	x	x	x	x	x	x	x	x	x	x
7051-022	Grille - Inlet	x	x	x	x	x	x	x	x	x	x	x	x
8604-089	Heat Strip 5kw		x			x			x			x	
8604-091	Heat Strip 10kw			x			x			x			x
8408-016	Defrost Thermostat	x	x	x	x	x	x	x	x	x	x	x	x
8402-047	Limit Control		x	x		x	x		x	x		x	x
8106-022	Motor - Evaporator	x	x	x	x	x	x	x	x	x	x	x	x
8103-019	Motor - Condenser	x	x	x	x	x	x	x	x	x	x	x	x
8200-001	Motor Mount (Fan)	x	x	x	x	x	x	x	x	x	x	x	x
8200-032	Motor Mount (Blower)	x	x	x	x	x	x	x	x	x	x	x	x
8201-009	Relay - Blower	x	x	x	x	x	x	x	x	x	x	x	x
8607-013	Terminal Block	x	x					x	x				
8607-019	Terminal Board	x	x	x	x	x	x	x	x	x	x	x	x
8402-025	Thermal Cutoff		1	2		1	2		1	2		1	2
8407-035	Transformer	x	x	x	x	x	x	x	x	x	x	x	x
8612-012	Timer	x	x	x	x	x	x	x	x	x	x	x	x
5651-036	Check Valve	x	x	x	x	x	x	x	x	x	x	x	x
5650-008	Rev. Valve Solenoid Coil	x	x	x	x	x	x	x	x	x	x	x	x
8406-010	High Pressure Switch	x	x	x	x	x	x	x	x	x	x	x	x
5650-013	Reversing Valve	x	x	x	x	x	x	x	x	x	x	x	x

PARTS LIST
Single Package Heat Pumps

4/87

Part No.	Description	MHP30A	MHP30A-A05	MHP30A-A10	MHP30A-A00/C	MHP30A-A05/C	MHP30A-A10/C	MHP36A	MHP36A-A05	MHP36A-A10	MHP36A-A00/C	MHP36A-A05/C	MHP36A-A10/C
5202-004	Accumulator	x	x	x	x	x	x	x	x	x	x	x	x
5811-001	Capillary Tube 25 x .050	4	4	4	4	4	4						
5811-005	Capillary Tube 38 x .059	2	2	2	2	2	2	4	4	4	4	4	4
5811-036	Capillary Tube 28 x .059							2	2	2	2	2	2
8605-008	Crankcase Heater							x	x	x	x	x	x
8615-015	Circuit Breaker										1		
8615-014	Circuit Breaker				1								
8615-016	Circuit Breaker					1	1					1	1
8615-013	Circuit Breaker						1						1
4083-110	Wiring Diagram	x						x					
4083-111	Wiring Diagram				x						x		
4083-120	Wiring Diagram		x						x				
4083-121	Wiring Diagram					x				x		x	
4083-130	Wiring Diagram			x									
4083-131	Wiring Diagram						x						x

Supersedes all previous lists. Subject to change without notice.

PARTS LIST
SINGLE PACKAGE HEAT PUMPS

5/87

PART NO.	DESCRIPTION	MH30B	MH36B	MH42B
5202-003	Accumulator	x		
5202-004	Accumulator		x	
5202-005	Accumulator			x
*	Blower Housing 10-8	x	x	x
5152-013	Blower Wheel DD10-8A	x	x	x
8552-007	Capacitor 20/15-370V	x		
8552-028	Capacitor 35/440V		x	
8552-030	Capacitor 40/440V			x
8552-002	Capacitor 5/370V	(2)	(2)	(2)
5811-008	Capillary Tube - Heat	(2)		(2)
5811-033	Capillary Tube - Heat		(2)	
5811-001	Capillary Tube - Cool	(4)	(4)	
5811-012	Capillary Tube - Cool			(4)
5651-036	Check Valve	x	x	x
5051-033	Condenser Coil	x	x	
5051-031	Condenser Coil			x
8000-080	Compressor AB233FT	x		
8000-058	Compressor CRJ1-0300		x	
8000-081	Compressor AV168ET			x
8401-007	Contactora R8242A1008	x	x	
8401-003	Contactora 1P30A			x
8408-016	Defrost Thermostat	x	x	x
5060-030	Evaporator Coil	x		x
5060-033	Evaporator Coil		x	
5151-028	Fan Blade Y10H9.5-2028	x	x	x
7051-014	Fan Guard	x	x	x
8406-022	High Pressure Switch	x	x	x
8105-024	Motor - Blower 1/3 hp	x	x	x
8105-023	Motor - Fan 1/3 hp	x	x	x
8200-003	Motor Mount - Blower	x	x	x
8200-022	Motor Mount - Fan	x	x	x
5451-009	Motor Mounting Parts	x	x	x
5451-011	Motor Mounting Parts	x	x	x
8201-008	Relay - Blower	x	x	x
8201-047	Relay - Defrost	x	x	x
8201-013	Relay - Emergency Heat	x	x	x
5650-005	Reversing Valve	x		
5650-009	Reversing Valve		x	
5650-006	Reversing Valve			x
5650-012	Solenoid Coil	x	x	x
5210-006	Strainer	x	x	x
5210-004	Strainer	x	x	x
8607-013	Terminal Block 2 pole	x	x	x
8607-010	Terminal Board	x	x	x
8612-012	Timer	x	x	x
8407-035	Transformer	x	x	x
7051-016	Wire Grille	x	x	x
5153-022	Rain Shield	x	x	x
4059-110	Wiring Diagram	x		
4059-120	Wiring Diagram		x	x

*Please order by model number.

PARTS LIST
SINGLE PACKAGE HEAT PUMPS

3/87

PART NO.	DESCRIPTION	RPMH30B	RPMH30B-B	RPMH36B	RPMH36B-B	RPMH30B-C	RPMH36B-C
5202-003	Accumulator	x	x			x	
5202-004	Accumulator			x	x		x
*	Blower Housing 10-8	x	x	x	x	x	x
5152-010	Blower Wheel DD10-7A	x	x	x	x	x	x
8552-035	Capacitor 40/370V	x		x			
8552-019	Capacitor 5/440V	x	x	x	x	x	x
8552-002	Capacitor 5/370V	x	x	x	x	x	x
5811-033	Capillary Tube - Cool	(2)	(2)	(2)	(2)	(2)	(2)
5811-016	Capillary Tube - Heat	x	x			x	
5811-021	Capillary Tube - Heat			x	x		x
8000-052	Compressor - CRG3-0250-PFV-270	x					
8000-053	Compressor - CRG3-0250-TF5-270		x				
8000-054	Compressor - CRG3-0250-TFD-270					x	
8000-055	Compressor - CRH3-0275-PFV-270			x			
8000-056	Compressor - CRH3-0275-TF5-270				x		
8000-057	Compressor - CRH3-0275-TFD-270						x
5051-003	Condenser Coil	x	x	x	x	x	x
8401-007	Contacto 1P25A	x		x			
8401-002	Contacto 3P35A		x		x	x	x
8607-017	Terminal Block					x	x
8408-016	Defrost Thermostat	x	x	x	x	x	x
5060-022	Evaporator Coil	x	x	x	x	x	x
5151-031	Fan Blade	x	x	x	x	x	x
7051-014	Fan Guard	x	x	x	x	x	x
8406-011	High Pressure Switch	x	x	x	x	x	x
8607-015	Phenolic Insulator					x	x
8105-010	Motor - Blower 1/3 hp	x	x	x	x	x	x
8103-013	Motor - Fan 1/5 hp	x	x	x	x	x	x
7004-015	Filter	x	x	x	x	x	x
5651-036	Check Valve	x	x	x	x	x	x
8200-003	Motor Mount - Blower	x	x	x	x	x	x
8200-022	Motor Mount - Fan	x	x	x	x	x	x
5451-011	Motor Mounting Parts	x	x	x	x	x	x
5451-009	Motor Mounting Parts - Fan	x	x	x	x	x	x
5153-022	Rain Shield	x	x	x	x	x	x
8201-008	Relay - Blower	x	x	x	x	x	x
8201-013	Relay - Emergency Heat	x	x	x	x		
8201-047	Relay - Defrost	x	x	x	x	x	x
8201-031	Relay - Compressor Fault	x		x			
5650-005	Reversing Valve	x	x			x	
5650-014	Reversing Valve			x	x		x
5650-012	Solenoid Coil	x	x	x	x	x	x
5210-004	Strainer	x	x	x	x	x	x
5210-002	Strainer	x	x	x	x	x	x
8607-010	Terminal Board	x	x	x	x	x	x
8607-013	Terminal Block	x		x			
607-014	Terminal Block		x		x	x	x
3612-012	Timer w/7 Min. Time Safe	x	x	x	x	x	x
8407-035	Transformer	x	x	x	x		
8407-003	Transformer - Stepdown 1.5 KVA					x	x
4071-110	Wiring Diagram	x		x			
4071-210	Wiring Diagram		x		x		
4071-310	Wiring Diagram					x	x

PARTS LIST
SINGLE PACKAGE HEAT PUMPS

2/87

Part No.	Description	RPMH42	RPMH42-B	RPMH42-C	RPMH48	RPMH48-B	RPMH48-C	RPMH60	RPMH60-B	RPMH60-C
5202-005	Accumulator	x	x	x	x	x	x			
5202-008	Accumulator							x	x	x
*	Blower Housing	x	x	x	x	x	x	x	x	x
5152-014	Blower Wheel 10-9	x	x	x	x	x	x			
5152-049	Blower Wheel 10-10							x	x	x
8552-030	Capacitor - Comp. 40/440V	x			x					
8552-043	Capacitor - Comp. 45/370V							(2)		
8552-004	Capacitor - Blower 7½/370V	x	x	x	x	x	x			
8552-026	Capacitor - Blower/Fan 15/370V	x	x	x	x	x	x	(2)	(2)	(2)
5811-010	Capillary Tube - Cool	(3)	(3)	(3)						
5811-036	Capillary Tube - Cool				(4)	(4)	(4)			
5811-033	Capillary Tube - Cool							(4)	(4)	(4)
5811-020	Capillary Tube - Heat	(2)	(2)	(2)						
5811-026	Capillary Tube - Heat				(2)	(2)	(2)			
5811-023	Capillary Tube - Heat							(2)	(2)	(2)
8000-072	Compressor - AV144ET	x								
8000-088	Compressor - AV145RT		x							
8000-089	Compressor - AV145TT			x						
8000-081	Compressor - AV168ET				x					
8000-082	Compressor - AV169RT					x				
8000-083	Compressor - AV169TT						x			
8000-074	Compressor - AG134ET							x		
8000-075	Compressor - AG134RT								x	
8000-049	Compressor - AG133UT									x
5051-037	Condenser Coil	x	x	x						
5051-029	Condenser Coil				x	x	x	x	x	x
8401-007	Contactora 25A1P	x								
8401-003	Contactora 30A1P				x					
8401-016	Contactora 35A1P							x		
8401-002	Contactora 25A3P		x	x		x	x			x
8401-011	Contactora 30A3P								x	
5651-036	Check Valve	x	x	x	x	x	x	x	x	x
8408-016	Defrost Thermostat	x	x	x	x	x	x	x	x	x
5060-029	Evaporator Coil	x	x	x						
5060-038	Evaporator Coil				x	x	x	x	x	x
5151-026	Fan Blade	x	x	x	x	x	x	x	x	x
7004-019	Filter 16x30x1	(2)	(2)	(2)	(2)	(2)	(2)	(2)	(2)	(2)
7051-017	Grille - Condenser	x	x	x	x	x	x	x	x	x
8406-022	High Pressure Switch	x	x	x	x	x	x	x	x	x
8106-017	Motor - Blower	x	x	x	x	x	x			
8106-020	Motor - Blower							x	x	

*Please order by model number.

PARTS LIST
SINGLE PACKAGE HEAT PUMPS

3/87

Part No.	Description	RPMH42	RPMH42-B	RPMH42-C	RPMH48	RPMH48-B	RPMH48-C	RPMH60	RPMH60-B	RPMH60-C
8106-021	Motor - Fan	x	x	x	x	x	x	x	x	x
8200-003	Motor Mount - Blower	x	x	x	x	x	x	x	x	x
8200-027	Motor Mount - Fan	x	x	x	x	x	x	x	x	x
5451-011	Motor Mounting Parts	x	x	x	x	x	x	x	x	x
5153-022	Rain Shield	x	x	x	x	x	x	x	x	x
8201-008	Relay - Blower	x	x	(2)	x	x	(2)	x	x	(2)
8201-047	Relay - Defrost	x	x	x	x	x	x	x	x	x
8201-024	Relay - Compressor Fault	x			x			x		
8201-013	Relay - Emergency Heat	x	x	x	x	x	x	x	x	x
5650-006	Reversing Valve	x	x	x	x	x	x			
5650-010	Reversing Valve							x	x	x
5650-012	Reversing Valve Solenoid Coil	x	x	x	x	x	x	x	x	x
8607-015	Phenolic Insulator			x			x			x
5210-003	Strainer	x	x	x						
5210-006	Strainer				x	x	x	x	x	x
5210-005	Strainer	x	x	x	x	x	x	x	x	x
8607-013	Terminal Block	x			x			x		
8607-014	Terminal Block		x	x		x	x		x	x
8607-010	Terminal Board	x	x	x	x	x	x	x	x	x
8612-012	Timer	x	x	x	x	x	x	x	x	x
8407-035	Transformer 55VA	x	x	x	x	x	x	x	x	x
8407-004	Transformer 2KVA			x			x			x
8200-028	Motor Mount							x	x	x
8607-017	Terminal Block			x			x			x
4076-110	Wiring Diagram	x								
4076-120	Wiring Diagram				x					
4076-130	Wiring Diagram							x		
4076-210	Wiring Diagram		x							
4076-220	Wiring Diagram					x				
4076-230	Wiring Diagram								x	
4076-310	Wiring Diagram			x						
4076-320	Wiring Diagram						x			
4076-330	Wiring Diagram									x

Minimum net billing \$15.00. Supersedes all previous lists.
Subject to change without notice.

PARTS LIST

WATER SOURCE
PACKAGE HEAT PUMPS

10/85

PART NO.	DESCRIPTION	WPV30	WPVD30	WPV36	WPVD36
5152-046	Blower Assembly	x	x	x	x
8552-035	Capacitor 40 MFD - 370V 2" Round			x	x
8552-007	Capacitor 20/15 MFD - 370V 2" Oval	x	x		
8552-002	Capacitor - Blower 5MFD 370V	x	x	x	x
5811-034	Capillary Tube - Heating	(2)	(2)		
5811-016	Capillary Tube - Heating			(2)	(2)
5811-012	Capillary Tube - Cooling	(3)	(3)		
5811-014	Capillary Tube - Cooling			(3)	(3)
5651-036	Check Valve	x	x	x	x
8000-071	Compressor AB225HT-015-A4	x	x		
8000-052	Compressor CRG3-0250-PFV-270			x	x
5052-001	Condenser Coil	x	x		
5052-002	Condenser Coil			x	x
8401-007	Contactator - Compressor	x	x	x	x
5052-005	Desuperheater Coil		x		x
5060-012	Evaporator Coil	x	x	x	x
7004-017	Filter 22 x-22 x.1	x	x	x	x
8406-016	High Pressure Switch	x	x	x	x
8406-015	Low Pressure Switch	x	x	x	x
8105-010	Motor - Blower 1/3 hp	x	x	x	x
8200-003	Motor Mount	x	x	x	x
5451-011	Motor Mounting Parts	x	x	x	x
8201-008	Relay - Blower	x	x	x	x
8201-034	Relay - Lockout	x	x	x	x
5650-005	Reversing Valve	x	x		
5650-009	Reversing Valve			x	x
5650-008	Reversing Valve Solenoid	x	x	x	x
5210-003	Strainer-Cooling	x	x	x	x
5210-004	Strainer-Heating	x	x	x	x
8607-011	Terminal Board 24V	x	x	x	x
8407-035	Transformer	x	x	x	x
8300-001	Water Pump		x		x
8408-007	Water Pump Thermostat		x		x
8201-015	Emergency Heat Relay	x	x	x	x
5650-011	Solenoid Valve GS300		x		x
OPTIONAL ITEMS:					
* 8604-080	Duct Heater 5Kw	x	x	x	x
* 8604-081	Duct Heater 9.8Kw	x	x	x	x
* 8604-082	Duct Heater 14.7Kw	x	x	x	x
* 8604-083	Duct Heater 19.2Kw	x	x	x	x
8603-010	Constant flow valve 4 GPM	x	x		
8603-011	Constant flow valve 5 GPM			x	x
8603-006	Solenoid valve 24V	x	x	x	x

Minimum Net Billing \$15.00. Supersedes all previous lists. *Denotes change
Subject to change without notice.

PARTS LIST
WATER SOURCE
PACKAGE HEAT PUMPS

10/85

Part No.	Description	WPV30A	WPVD30A	WPV36A	WPVD36A
5152-046	Blower Assembly	x	x	x	x
8552-035	Capacitor 40/370V 2" round			x	x
8552-007	Capacitor 20/15-370V 2" oval	x	x		
8552-002	Capacitor - blower 5/370V	x	x	x	x
8000-071	Compressor AB225HT-015-A4	x	x		
8000-052	Compressor CRG3-0250-PFV-270			x	x
5052-001	Condenser Coil	x	x		
5052-002	Condenser Coil			x	x
8401-007	Contactoer - Compressor	x	x	x	x
5052-005	Desuperheater Coil		x		x
5060-012	Evaporator Coil	x	x	x	x
5651-041	Expansion Valve	x	x	x	x
7004-017	Filter 22x22x1	x	x	x	x
8406-016	High Pressure Switch	x	x	x	x
8105-010	Motor - Blower 1/3 hp	x	x	x	x
8200-003	Motor Mount	x	x	x	x
5451-011	Motor Mounting Parts	x	x	x	x
8201-008	Relay - Blower	x	x	x	x
8201-034	Relay - Lockout	x	x	x	x
5650-005	Reversing Valve	x	x		
5650-009	Reversing Valve			x	x
5650-008	Reversing Valve Solenoid	x	x	x	x
5210-010	Strainer	(2)	(2)	(2)	(2)
8607-011	Terminal Board 24V	x	x	x	x
8407-035	Transformer	x	x	x	x
8300-001	Water Pump		x		x
8408-007	Water Pump Thermostat		x		x
8201-015	Emergency Heat Relay	x	x	x	x
5650-011	Solenoid Valve GS300		x		x
8408-005	Comp. Terminating Thermostat	x	x	x	x
OPTIONAL ITEMS					
* 8604-080	Duct Heater 5Kw	x	x	x	x
* 8604-081	Duct Heater 9.8Kw	x	x	x	x
* 8604-082	Duct Heater 14.7Kw	x	x	x	x
* 8604-083	Duct Heater 19.2Kw	x	x	x	x
8603-010	Constant Flow Valve 4 GPM	x	x		
8603-011	Constant Flow Valve 5 GPM			x	x
8603-006	Solenoid Valve 24V	x	x	x	x

Minimum net billing \$15.00. Supersedes all previous lists.
 Subject to change without notice.

*Denotes change.

PARTS LIST
WATER SOURCE
PACKAGE HEAT PUMPS

2/86

PART NO.	DESCRIPTION	WPV53	WPVD53	WPV62	WPVD62
5202-004 *	Accumulator	x	x		
	Blower Housing 10-7	x	x	x	x
5152-010	Blower Wheel DD10-7A	x	x	x	x
8552-030	Capacitor - Comp. 40MFD-440V 2½" Round	x	x		
8552-036	Capacitor - Comp. 70MFD-370V 2½" Round			x	x
8552-004	Capacitor - Blower 7.5 MFD 370V, 1½" Oval	x	x	x	x
5811-017	Capillary Tube - Cooling	(3)	(3)		
5811-034	Capillary Tube - Heating	(3)	(3)		
5811-027	Capillary Tube - Cooling & Heating			(6)	(6)
5651-036	Check Valve	x	x	x	x
8000-072	Compressor AV144ET-001-A4	x	x		
8000-068	Compressor AG123ET-002-A4			x	x
5052-006	Condenser Coil - Cupro Nickel	x	x		
5052-007	Condenser Coil - Cupro Nickel			x	x
8401-007	Contactoer - Compressor	x	x		
8401-003	Contactoer - Compressor			x	x
5052-005	Desuperheater Coil		x		x
5060-029	Evaporator Coil	x	x	x	x
5202-007	Accumulator			x	v
7004-018	Filter 1 x 25 x 25	x	x	x	
8406-016	High Pressure Switch	x	x	x	x
8406-015	Low Pressure Switch	x	x	x	x
8106-017	Motor - Blower 1/2 hp	x	x	x	x
8200-003	Motor Mount	x	x	x	x
5451-011	Motor Mounting Parts	x	x	x	x
8201-008	Relay - Blower	x	x	x	x
8201-015	Relay - Emergency Heat	x	x	x	x
8201-034	Relay - Impedance	x	x	x	x
5650-006	Reversing Valve	x	x	x	x
* 5650-008	Solenoid Coil	x	x	x	x
5650-011	Solenoid Valve		x		x
5210-009	Strainer	(2)	(2)	(2)	(2)
8607-011	Terminal Block	x	x	x	x
8406-020	Toggle Switch		x		x
8407-035	Transformer	x	x	x	x
8300-001	Water Pump		x		x
8408-007	Water Pump T-Stat		x		x
OPTIONAL ITEMS:					
8604-080	Duct Heater 5Kw	x	x	x	x
8604-081	Duct Heater 9.8Kw	x	x	x	x
8604-082	Duct Heater 14.7Kw	x	x	x	x
8604-083	Duct Heater 19.2 Kw	x	x	x	x
8603-007	Constant flow valve 6 GPM	x	x		
8603-008	Constant flow valve 8 GPM			x Note	x N
8603-006	Solenoid Valve 24V	x	x	x	

Note: (2) 8 GPM flow valves for units operating below 50° entering water temperature.

*Please order by model number.

Minimum net billing \$15.00. Supersedes all previous lists.

Subject to change without notice.

PARTS LIST
WATER SOURCE
PACKAGE HEAT PUMPS

2/86

Part No.	Description	WPV53A	WPVD53A	WPV62A	WPVD62A
*	Blower Housing 10-7	x	x	x	x
5152-010	Blower Wheel DD10-7A	x	x	x	x
8552-030	Capacitor-Comp. 40/440V 2½"Rnd	x	x		
8552-036	Capacitor-Comp. 70/370V 2½"Rnd			x	x
8552-004	Capacitor-Blower 7½/370V 1¼Oval	x	x	x	x
8000-072	Compressor - AV144ET-001-A4	x	x		
8000-068	Compressor AG123ET-002-A4			x	x
5052-006	Condenser Coil	x	x		
5052-007	Condenser Coil			x	x
8401-007	Contactora - Compressor	x	x		
8401-003	Contactora - Compressor			x	x
5052-005	Desuperheater Coil		x		x
5060-029	Evaporator Coil	x	x	x	x
5651-046	Expansion Valve	x	x	x	x
7004-018	Filter 25x25x1	x	x	x	x
8401-016	High Pressure Switch	x	x	x	x
8106-017	Motor - Blower 1/2 hp	x	x	x	x
8200-003	Motor Mount	x	x	x	x
5451-011	Motor Mounting Parts	x	x	x	x
8201-008	Relay - Blower	x	x	x	x
8201-015	Relay - Emergency Heat	x	x	x	x
8201-034	Relay - Impedance	x	x	x	x
5650-006	Reversing Valve	x	x	x	x
* 5650-008	Solenoid Coil	x	x	x	x
5650-011	Solenoid Valve		x		x
5210-010	Strainer	(2)	(2)	(2)	(2)
8607-011	Terminal Block	x	x	x	x
8406-020	Toggle Switch		x		x
8407-035	Transformer	x	x	x	x
8300-001	Water Pump		x		x
8408-007	Water Pump Thermostat		x		x
8408-005	Comp. Terminating Thermostat	x	x	x	x
OPTIONAL ITEMS					
8604-080	Duct Heater 5Kw	x	x	x	x
8604-081	Duct Heater 9.8Kw	x	x	x	x
8604-082	Duct Heater 14.7Kw	x	x	x	x
8604-083	Duct Heater 19.2Kw	x	x	x	x
8603-007	Constant flow valve 6 GPM	x	x		
8603-008	Constant flow valve 8 GPM			x	x
8603-006	Solenoid Valve 24V	x	x	x	x

*Please order by model number.
 Minimum Net Billing \$15.00. Supersedes all previous lists.
 Subject to change without notice.

**Denotes change.

PARTS LIST
PACKAGED HORIZONTAL
WATER SOURCE HEAT PUMPS

2/86

PART NO.	DESCRIPTION	HWP30	HWPD30	HWP36	HWPD36
900-050	Blower Assembly Complete	x	x	x	x
5152-047	Blower Wheel DD10-6	x	x	x	x
8552-007	Capacitor -Comp. 20/15 - 370V	x	x		
8552-035	Capacitor-Comp. 40/370V			x	x
8552-025	Capacitor - Blower 7.5/440V	x	x	x	x
8000-071	Compressor AB225HT	x	x		
8000-052	Compressor CRG3-0250			x	x
5052-001	Condenser Coil	x	x		
5052-001	Condenser Coil			x	x
8401-007	Contactora - Compressor	x	x	x	x
5052-004	Desuperheater Coil		x		x
5060-034	Evaporator Coil	x	x	x	x
8406-016	High Pressure Switch	x	x	x	x
8406-015	Low Pressure Switch	x	x	x	x
8105-022	Motor - Blower 1/3 PSC	x	x	x	x
8200-003	Motor Mount	x	x	x	x
8201-008	Relay - Blower	x	x	x	x
8201-015	Relay - Emergency Heat	x	x	x	x
8201-034	Relay - Lockout	x	x	x	x
5650-009	Reversing Valve			x	x
* 5650-008	Solenoid Coil	x	x	x	x
5650-005	Reversing Valve	x	x		
5650-011	Solenoid Valve		x		x
5210-010	Strainer	(2)	(2)	(2)	(2)
8607-011	Terminal Block	x	x	x	x
5651-041	Thermostat Expansion Valve	x	x	x	x
8300-001	Water Pump		x		x
8408-007	Water Pump Thermostat		x		x
8406-020	Toggle Switch		x		x
8407-035	Transformer 55VA	x	x	x	x
OPTIONAL ITEMS:					
8604-080	Duct Heater 5Kw	x	x	x	x
8604-081	Duct Heater 9.8Kw	x	x	x	x
8604-082	Duct Heater 14.7Kw	x	x	x	x
8604-083	Duct Heater 19.2 Kw	x	x	x	x
8603-006	Solenoid Valve	x	x	x	x
8603-010	Constant Flow Valve 4 GPM	x	x		
8603-011	Contant Flow Valve 5 GPM			x	x

Minimum Net Billing \$15.00. Supersedes all previous lists.
Subject to change without notice.

PARTS LIST
SPLIT SYSTEM BLOWER COILS

3/87

Part No.	Description	B18EHQ1	B18EHQ1-A05	B18EHQ1-A10	B24EHQ1	B24EHQ1-A05	B24EHQ1-A10	B24EHQ1-A15	B30EHQ	B30EHQ-A05	B30EHQ-A10	B30EHQ-A15
151-022	Blower Housing 10-4	x	x	x	x	x	x	x	x	x	x	x
5152-008	Blower Wheel DD10-4A	x	x	x	x	x	x	x	x	x	x	x
8552-002	Capacitor 5/370V	x	x	x	x	x	x	x	x	x	x	x
5811-035	Capillary Tube	3	3	3								
5811-001	Capillary Tube				3	3	3	3				
5811-010	Capillary Tube								3	3	3	3
5651-036	Check Valve	x	x	x	x	x	x	x	x	x	x	x
8401-006	Contactora - Heater 20A		1	1		1	1	2		1	1	2
5060-016	Evaporator Coil	x	x	x								
5060-028	Evaporator Coil				x	x	x	x	x	x	x	x
7004-003	Filter 12x20	x	x	x	x	x	x	x	x	x	x	x
8604-023	Heat Strip 5kw		x			x				x		
8604-024	Heat Strip 10kw			x			x				x	
8604-025	Heat Strip 15kw							x				x
8402-029	Limit Switch L160-2.5		x	x								
8402-028	Limit Switch L150-2.5					x	x	x		x	x	x
8103-012	Motor - Blower 1/5	x	x	x	x	x	x	x	x	x	x	x
8200-003	Motor Mount	x	x	x	x	x	x	x	x	x	x	x
5451-011	Motor Mounting Parts	x	x	x	x	x	x	x	x	x	x	x
8201-009	Relay - Blower	x	x	x	x	x	x	x	x	x	x	x
8201-045	Relay - Time Delay				x	x	x	x				
5210-003	Strainer	x	x	x	x	x	x	x	x	x	x	x
144-015	Blower Cutoff	x	x	x	x	x	x	x	x	x	x	x
8607-010	Terminal Block	x	x	x	x	x	x	x	x	x	x	x
8607-013	Terminal Block	x	x	x	x	x	x	x	x	x	x	x
8402-027	Thermal Cut-off		1	2		1	2	3		1	2	3
8407-035	Transformer	x	x	x	x	x	x	x	x	x	x	x
4082-110	Wiring Diagram	x							x			
4082-111	Wiring Diagram				x							
4082-120	Wiring Diagram		x							x		
4082-121	Wiring Diagram					x						
4082-130	Wiring Diagram			x								
4082-131	Wiring Diagram						x					
4082-132	Wiring Diagram										x	
4082-141	Wiring Diagram							x				
4082-142	Wiring Diagram											x

Minimum net billing \$15.00. Supersedes all previous lists.
Subject to change without notice.

PARTS LIST
SPLIT SYSTEM BLOWER COIL

3/87

PART NO.	DESCRIPTION	B36EHQ1	B36EHQ1-A05	B36EHQ1-A10	B36EHQ1-A15	B36EHQ1-A20	B36EHQ1-A25	B36EHQ1-A30	B36EHQ1-B09	B36EHQ1-B15	B36EHQ1-C09	B36EHQ1-C15
151-023	Blower Housing 10-9	x	x	x	x	x	x	x	x	x	x	x
5152-014	Blower Wheel DD10-9A	x	x	x	x	x	x	x	x	x	x	x
8552-025	Capacitor 7½-440V	x	x	x	x	x	x	x	x	x	x	x
5811-010	Capillary Tube	3	3	3	3	3	3	3	3	3	3	3
5651-036	Check Valve	x	x	x	x	x	x	x	x	x	x	x
8401-006	Contactator - Heater 20A		1	1	2	2	3	3	1	1	1	1
5060-012	Evaporator Coil	x	x	x	x	x	x	x	x	x	x	x
7004-017	Filter 22x22	x	x	x	x	x	x	x	x	x	x	x
8614-006	Fuse - Heater 30A				2		2					
8614-007	Fuse - Heater 60A				2	4	4	6				
8614-017	Fuse Block 15kw				x							
8614-014	Fuse Block 25kw						x					
8614-019	Fuse Block 30kw							x				
8614-018	Fuse Block 20kw					x						
8614-036	Circuit Breaker	x	x	x	x	x	x	x			x	x
8604-023	Heat Strip 5kw		1									
8604-024	Heat Strip 10kw			1		2	1					
8604-025	Heat Strip 15kw				1		1	2		1		
8604-035	Heat Strip 9kw								1			
8604-034	Heat Strip 15kw 460V											1
8604-032	Heat Strip 9kw 460V										1	
8402-022	Limit Switch L145-2.5		x	x	x	x	x	x	x	x	x	x
8105-022	Motor - Blower 1/3	x	x	x	x	x	x	x	x	x	x	x
8200-003	Motor Mount	x	x	x	x	x	x	x	x	x	x	x
5451-011	Motor Mounting Parts	x	x	x	x	x	x	x	x	x	x	x
8201-009	Relay - Blower	x	x	x	x	x	x	x	x	x	x	x
8201-045	Relay - Time Delay	x	x	x	x	x	x	x				
5210-003	Strainer	x	x	x	x	x	x	x	x	x	x	x
8607-013	Terminal Block	x	x	x					x	x	x	x
8607-014	Terminal Block 3-Ph											
8607-010	Terminal Block	x	x	x	x	x	x	x	x	x	x	x
8402-025	Thermal Cut-off		1	2	3	4	5	6	3	6	3	6
8407-036	Transformer	x	x	x	x	x	x	x	x	x		
8407-003	Transformer 9kw 460V 3 Ph										x	x
144-006	Blower cutoff	x	x	x	x	x	x	x	x	x	x	x
4032-111	Wiring Diagram	x										
4032-121	Wiring Diagram		x									
4032-131	Wiring Diagram			x								
4032-141	Wiring Diagram				x							
4032-151	Wiring Diagram					x						
4032-161	Wiring Diagram						x					
4032-171	Wiring Diagram							x				
4032-320	Wiring Diagram										x	
4032-808	Wiring Diagram								x	x		x

Minimum net billing \$15.00. Supersedes all previous lists.
Subject to change without notice.

PARTS LIST
SPLIT SYSTEM BLOWER COILS

2/87

Part No.	Description	BC48A	BC48A-A10	BC48A-A15	BC48A-A20	BC48A-A30	BC48A-B09	BC48A-B15	BC48A-B30	BC48A-C09	BC48A-C18
151-024	Blower Housing 10-10	x	x	x	x	x	x	x	x	x	x
5152-015	Blower Wheel 10-10	x	x	x	x	x	x	x	x	x	x
8552-002	Capacitor 5/370V	x	x	x	x	x	x	x	x	x	x
5811-009	Capillary Tube	4	4	4	4	4	4	4	4	4	4
5651-036	Check Valve	x	x	x	x	x	x	x	x	x	x
8401-006	Contactator - Heater 20A		1	2	2	3					2
8401-010	Contactator - Heat 3-Ph						1		2		
8401-001	Contactator - Heat 3-Ph							1			
5060-020	Evaporator Coil	x	x	x	x	x	x	x	x	x	x
7004-015	Filter 24x24	x	x	x	x	x	x	x	x	x	x
8614-006	Fuse - Heater 30A			2							
8614-007	Fuse - Heater 60A			2	4	6			3		
8614-033	Fuse - Heater 35A 3 Ph								3		
8614-017	Fuse Block 15kw			x							
8614-019	Fuse Block 30kw					x					
8614-018	Fuse Block 20kw				x						
8614-020	Fuse Block 30Kw 3-Ph								x		
8614-036	Circuit Breaker	x	x	x	x	x	x	x	x	x	x
8607-017	Terminal Block (460v)									x	x
8604-024	Heat Strip 10kw		1		2						
8604-025	Heat Strip 15kw			1		2		1	2		
8604-035	Heat Strip 9kw						1				
8604-032	Heat Strip 9kw 460v									1	2
8402-033	Limit Switch L140-2.5		x	x	x	x	x	x	x	x	x
8106-013	Motor - Blower 1/2 hp	x	x	x	x	x	x	x	x	x	x
8200-028	Motor Mount	x	x	x	x	x	x	x	x	x	x
5451-011	Motor Mounting Parts	x	x	x	x	x	x	x	x	x	x
8201-014	Relay - Blower	x	x	x	x	x	x	x	x	x	x
8201-013	Relay - Emergency Heat			x	x	x			x		x
8201-045	Relay - Time Delay	x	x	x	x	x					
5210-006	Strainer	x	x	x	x	x	x	x	x	x	x
8607-013	Terminal Block	x	x								
8607-014	Terminal Block 3 ph						x	x			
8607-010	Terminal Block	x	x	x	x	x	x	x	x	x	x
8402-025	Thermal Cutoff		2	3	4	6	3	3	6	3	6
8407-036	Transformer	x	x	x	x	x	x	x	x	x	x
8407-003	Transformer 9kw 460V 3 ph									x	x
8607-015	Phenolic Insulator 460v									x	x
8401-002	Contactator Heat									1	
144-012	Blower Cutoff	x	x	x	x	x	x	x	x	x	x

PARTS LIST
SPLIT SYSTEM BLOWER COILS

3/87

Part No.	Description	BC48A	BC48A-A10	BC48A-A15	BC48A-A20	BC48A-A30	BC48A-B09	BC48A-B15	BC48A-B30	BC48A-C09	BC48A-C18
4038-112	Wiring Diagram	x									
4038-121	Wiring Diagram		x								
4038-131	Wiring Diagram			x							
4038-142	Wiring Diagram				x						
4038-162	Wiring Diagram					x					
4038-220	Wiring Diagram						x	x			
4038-234	Wiring Diagram								x		
4038-320	Wiring Diagram									x	
4038-340	Wiring Diagram										x

Minimum net billing \$15.00. Supersedes all previous lists.
Subject to change without notice.

PARTS LIST
SPLIT SYSTEM BLOWER COILS

2/87

Part No.	Description	BC60A	BC60A-A10	BC60A-A15	BC60A-A20	BC60A-A30	BC60A-B09	BC60A-B15	BC60A-B30	BC60A-C09	BC60A-C18
151-024	Blower Housing 10-10	x	x	x	x	x	x	x	x	x	x
5152-015	Blower Wheel 10-10	x	x	x	x	x	x	x	x	x	x
8552-002	Capacitor 5/370V	x	x	x	x	x	x	x	x	x	x
5811-002	Capillary Tube	8	8	8	8	8	8	8	8	8	8
5651-036	Check Valve	x	x	x	x	x	x	x	x	x	x
8401-006	Contactora - Heater 20A		1	2	2						2
8401-010	Contactora - Heat 3-Ph						1		1		
8401-001	Contactora - Heat 3-Ph							1	1		
5060-032	Evaporator Coil	x	x	x	x	x	x	x	x	x	x
7004-015	Filter 24x24	x	x	x	x	x	x	x	x	x	x
8614-006	Fuse - Heater 30A			2							
8614-007	Fuse - Heater 60A			2	4	6			3		
8614-033	Fuse - Heater 35A 3 Ph								3		
8614-017	Fuse Block 15kw			x							
8614-019	Fuse Block 30kw					x					
8614-018	Fuse Block 20kw				x						
8614-020	Fuse Block 30Kw 3-Ph								x		
8614-036	Circuit Breaker	x	x	x	x	x	x	x	x	x	x
8607-017	Terminal Block (460v)									x	x
8604-024	Heat Strip 10kw		1		2						
8604-025	Heat Strip 15kw			1		2		1	2		
8604-035	Heat Strip 9kw						1				
8604-032	Heat Strip 9kw 460v									1	2
8402-033	Limit Switch L140-2.5		x	x	x	x	x	x	x	x	x
8106-013	Motor - Blower 1/2 hp	x	x	x	x	x	x	x	x	x	x
8200-028	Motor Mount	x	x	x	x	x	x	x	x	x	x
5451-011	Motor Mounting Parts	x	x	x	x	x	x	x	x	x	x
8201-014	Relay - Blower	x	x	x	x	x	x	x	x	x	x
8201-013	Relay - Emergency Heat			x	x	x			x		x
8201-045	Relay - Time Delay	x	x	x	x	x					
5210-006	Strainer	x	x	x	x	x	x	x	x	x	x
8607-013	Terminal Block	x	x								
8607-014	Terminal Block 3 ph						x	x		x	x
8607-010	Terminal Block	x	x	x	x	x	x	x	x	x	x
8402-025	Thermal Cutoff		2	3	4	6	3	3	6	3	6
8407-036	Transformer	x	x	x	x	x	x	x	x	x	x
8407-003	Transformer 9kw 460V 3 ph									x	x
8607-015	Phenolic Insulator 460v									x	x
8401-002	Contactora Heat					2				1	
144-012	Blower cutoff	x	x	x	x	x	x	x	x	x	x

PARTS LIST
SPLIT SYSTEM BLOWER COILS

3/37

Part No.	Description	BC60A	BC60A-A10	BC60A-A15	BC60A-A20	BC60A-A30	BC60A-B09	BC60A-B15	BC60A-B30	BC60A-C09	BC60A-C18
4038-112	Wiring Diagram	x									
4038-121	Wiring Diagram		x								
4038-131	Wiring Diagram			x							
4038-143	Wiring Diagram				x						
4038-163	Wiring Diagram					x					
4038-220	Wiring Diagram						x	x			
4038-234	Wiring Diagram								x		
4038-320	Wiring Diagram									x	
4038-340	Wiring Diagram										x

Minimum net billing \$15.00. Supersedes all previous lists.
Subject to change without notice.

PARTS LIST						
OPTIONAL ELECTRIC HEAT PACKAGES						
PART NO.	DESCRIPTION	EH3MA-A05	EH3MA-A08	EH3MA-A10	EH3MA-A15	EH3MA-A20
8401-006	Contactor 2P20	(1)	(1)	(1)	(2)	(2)
8614-006	Fuse 0T 30				(2)	
8614-007	Fuse 0T 60				(2)	(4)
8614-017	Fuse Block				x	
8614-018	Fuse Block					x
8604-023	Heat Strip 5Kw	x				
8604-024	Heat Strip 10Kw			x		(2)
8604-025	Heat Strip 15Kw				x	
8402-011	Limit Switch	x	x	x	x	x
8201-008	Heating Blower Relay	x	x	x	x	x
8607-013	Terminal Block	x	x	x		
8402-030	Thermal Cutoff	(1)	(2)	(2)	(3)	(4)
8604-026	Heat Strip 8Kw		x			
4060-110	Wiring Diagram	x				
4060-120	Wiring Diagram		x	x		
4060-130	Wiring Diagram				x	
4060-140	Wiring Diagram					x

PARTS LIST											
OPTIONAL ELECTRIC HEAT PACKAGES											
Part No.	Description	EH3PA-A05	EH3PA-A08	EH3PA-A10	EH3PA-A15	EH3PA-B09	EH3PA-B12	EH3PA-B15	EH3PA-C09	EH3PA-C12	EH3PA-C15
8401-006	Contactora 2P20	(1)	(1)	(1)	(2)	(1)	(1)	(2)			
8401-002	Contactora 3P25A								(1)	(1)	(1)
8614-017	Fuse Block				x						
8614-006	Fuse 30A				(2)						
8614-007	Fuse 60A				(2)						
8607-013	Terminal Block	x	x	x							
8607-014	Terminal Block					x	x	x	x	x	x
8402-026	Thermal Cut-off	(1)	(2)	(2)	(3)	(2)	(3)	(3)	(2)	(3)	(3)
8402-012	Limit Switch	x	x	x	x	x	x	x	x	x	x
8201-032	Blower Relay								x	x	x
8201-008	Blower Relay	x	x	x	x	x	x	x			
8604-089	Heat Strip 5Kw 240v	x	x								
8604-091	Heat Strip 10Kw 240v			x							
8604-047	Heat Strip 15Kw 240v				x			x			
8604-048	Heat Strip 9Kw 240v					x					
8604-046	Heat Strip 12Kw 240v						x				
8604-072	Heat Strip 9Kw 480v								x		
8604-051	Heat Strip 12Kw 480v									x	
8604-052	Heat Strip 15kw 480v										x
8604-043	Heat Strip 8Kw 240V		x								
4067-110	Wiring Diagram	x									
4067-120	Wiring Diagram		x	x							
4067-130	Wiring Diagram				x						
4067-210	Wiring Diagram					x					
4067-220	Wiring Diagram						x	x			
4067-310	Wiring Diagram								x		
4067-320	Wiring Diagram									x	x

PARTS LIST													
OPTIONAL ELECTRIC HEAT PACKAGES													
Part No.	Description	EH5PA-A05	EH5PA-A10	EH5PA-A15	EH5PA-A20	EH5PA-B09	EH5PA-B12	EH5PA-B15	EH5PA-B18	EH5PA-C09	EH5PA-C12	EH5PA-C15	EH5PA-C18
8401-006	Contactora 2P20A	(1)	(1)	(2)	(2)	(1)	(2)	(2)	(2)				
8401-002	Contactora 3P25A									(1)	(1)	(1)	(2)
8614-017	Fuse Block			(1)									
8614-018	Fuse Block				(1)								
8402-025	Thermal Cutoff	(1)	(2)	(3)	(4)	(2)	(3)	(3)	(4)	(2)	(3)	(3)	(4)
8201-008	Blower Relay	x	x	x	x	x	x	x	x	x	x	x	x
8607-013	Terminal Block	x	x										
8607-014	Terminal Block					x	x	x	x	x	x	x	x
8614-006	Fuse 30A			(2)									
8614-007	Fuse 60A			(2)	(4)								
8402-012	Limit Switch	x	x	x	x	x	x	x	x	x	x	x	x
8604-089	Heat Strip 5kw	x											
8604-091	Heat Strip 10kw		x		(2)								
8604-047	Heat Strip 15kw			x				x					
8604-046	Heat Strip 12kw						x						
8604-048	Heat Strip 9kw					x			(2)				
8604-072	Heat Strip 9kw									x			(2)
8604-051	Heat Strip 12kw										x		
8604-052	Heat Strip 15kw											x	
4068-110	Wiring Diagram	x											
4068-120	Wiring Diagram		x										
4068-130	Wiring Diagram			x									
4068-140	Wiring Diagram				x								
4068-210	Wiring Diagram					x							
4068-220	Wiring Diagram						x	x					
4068-230	Wiring Diagram								x				
4068-310	Wiring Diagram									x			
4068-320	Wiring Diagram										x	x	
4068-330	Wiring Diagram												x

PARTS LIST

OPTIONAL ELECTRIC HEATER PACKAGE

3/87

Part No.	Description	EH3RA-A05	EH3RA-A10	EH3RA-A15	EH3RA-A20	EH3RA-B06	EH3RA-B09	EH3RA-B12	EH3RA-B15	EH3RA-B18	EH3RA-C06	EH3RA-C09	EH3RA-C12	EH3RA-C15	EH3RA-C18
8401-006	Contactor 2P20	1	1	2	2	1	1	1	2	2					
8401-002	Contactor 3P25A										1	1	1	1	2
8401-008	Contactor - Blower Relay	x	x	x	x	x	x	x	x	x	x	x	x	x	x
8401-006	Contactor 2P20A									x	x	x	x	2	2
8614-006	Fuse OT30			2											
8614-007	Fuse OT60			2	4										
8614-017	Fuse Block			x											
8614-018	Fuse Block				x										
8604-023	Heat Strip 5Kw 240v	x													
8604-024	Heat Strip 10Kw 240v		x		2										
8604-025	Heat Strip 15Kw 240v			x											
8604-064	Heat Strip 6Kw 240v					x			x						
8604-035	Heat Strip 9kw 240v						x		x	x					
8604-036	Heat Strip 12Kw 240v							x		x					
8604-025	Heat Strip 15kw 240v								x						
8604-065	Heat Strip 6kw 480v										x				x
8604-032	Heat Strip 9kw 480v											x			
8604-033	Heat Strip 12kw 480v												x		x
8604-034	Heat Strip 15kw 480v													x	
8402-020	Limit Control	x	x	x	x	x	x	x	x	x	x	x	x	x	x
8607-015	Phenolic Insulator										2	2	2	2	2
8607-013	Terminal Block	2	2	1											
8607-014	Terminal Block				2	2	2	2	2	2	2	2	2	2	2
8402-030	Thermal Cutoff	1	2	3	4	3	3	3	3	6	3	3	3	3	6
8607-016	Terminal Block				1										
4073-110	Wiring Diagram	x													
4073-120	Wiring Diagram		x												
4073-130	Wiring Diagram			x											
4073-140	Wiring Diagram				x										
4073-210	Wiring Diagram					x	x	x							
4073-220	Wiring Diagram								x						
4073-230	Wiring Diagram									x					
4073-310	Wiring Diagram										x	x	x	x	
4073-320	Wiring Diagram														x

PARTS LIST
OPTIONAL ELECTRIC HEATER PACKAGE

3/87

Part No.	Description	EH5RA-A05	EH5RA-A10	EH5RA-A15	EH5RA-A20	EH5RA-A25	EH5RA-B06	EH5RA-B09	EH5RA-B12	EH5RA-B15	EH5RA-B18	EH5RA-B21	EH5RA-B24	EH5RA-C06	EH5RA-C09	EH5RA-C12	EH5RA-C15	EH5RA-C18	EH5RA-C21	EH5RA-C24
8401-006	Contactor 2P20	1	2	2	3	3														
8401-002	Contactor 3P25A						x	x	x		x	x	x	x	x	x	x	x	x	x
8401-011	Contactor 3P30A									x										
8401-006	Contactor 2P20A										x	x	x	x	x	x	x	2	2	2
8614-006	Fuse OT30			2		2														
8614-007	Fuse OT60			2	4	4														
8614-032	Fuse OT40											3	6							
8614-006	Fuse OT30											3								
8614-017	Fuse Block				x															
8614-018	Fuse Block				x															
8614-025	Fuse Block					x														
8614-021	Fuse Block											x								
8614-020	Fuse Block												x							
8604-023	Heat Strip 5Kw 240v	x																		
8604-024	Heat Strip 10Kw 240v		x		2	x														
8604-025	Heat Strip 15Kw 240v			x		x														
8604-064	Heat Strip 6Kw 240v						x				x									
8604-035	Heat Strip 9Kw 240v							x				x								
8604-036	Heat Strip 12Kw 240v								x		x	x	2							
8604-025	Heat Strip 15Kw 240v									x										
8604-065	Heat Strip 6Kw 480v													x				x		
8604-032	Heat Strip 9Kw 480v														x				x	x
8604-033	Heat Strip 12Kw 480v															x		x	x	x
8604-034	Heat Strip 15Kw 480v																x			x
8402-020	Limit Control	x	x	x	x	x	x	x	x	x	x	x	x	x	x	x	x	x	x	x
8607-015	Phenolic Insulator													2	2	2	2	2	2	2
8607-013	Terminal Block	2	2	1																
8607-014	Terminal Block						2	2	2	2	2	1	1	2	2	2	2	2	2	2
8402-032	Thermal Cutoff	1	2	3	4	5														
8607-016	Terminal Block				1	1														
8607-025	Thermal Cutoff						3	3	3	3	6	6	6	3	3	3	3	6	6	6
4077-110	Wiring Diagram	x																		
4077-120	Wiring Diagram		x																	
4077-130	Wiring Diagram			x																
4077-140	Wiring Diagram				x															
4077-150	Wiring Diagram					x														
4077-210	Wiring Diagram						x	x	x	x										
4077-220	Wiring Diagram										x									
4077-230	Wiring Diagram											x								
4077-240	Wiring Diagram												x							
4077-310	Wiring Diagram													x	x	x	x			
4077-320	Wiring Diagram																	x		
4077-330	Wiring Diagram																		x	
4077-340	Wiring Diagram																			x

PARTS LIST
DUCT HEATERS

10/85

Part No.	Description	8604-080	8604-081	8604-082	8604-083
8604-084	5Kw Element w/Hardware*	1	2	3	
8604-085	4.8Kw Element w/Hardware*				4
8401-006	Heat Contactor	1	1	2	2
8406-026	Manual Reset Limit *	1			
8406-027	Manual Reset Limit *		1	1	1
8402-011	Limit Switch	1	1	1	1
8201-009	Interlock Relay	1	1	1	1
8614-017	Fuse Block			1	
8614-018	Fuse				1
8614-006	Fuse (30A)			2	
8614-007	Fuse (60A)			2	4

*From B.T.U.

PARTS LIST
ELECTRIC FURNACES

3/87

Part No.	Description	EFC10-1	EFC10-1-B	EFC15-1	EFC20-1	EFC25-1	EFC30-1
*	Blower Housing 10-8	x					
*	Blower Housing 10-7		x	x	x		
*	Blower Housing 10-9					x	x
5152-005	Blower Wheel DD9-8A	x					
5152-010	Blower Wheel DD10-7A		x	x	x		
5152-014	Blower Wheel DD10-9A					x	x
1171-011	Cabinet Latch	(2)	(2)	(2)	(2)	(2)	(2)
8552-001	Capacitor 4/370V		x	x	x		
8552-002	Capacitor 5/370V					x	x
8401-006	Contactor	(1)	(1)	(2)	(1)	(3)	(2)
8401-002	Contactor				x		x
1171-002	Door Pull	x	x	x	x	x	x
7004-001	Filter 10x20	(2)					
7003-001	Filter 10x20 P		(2)	(2)	(2)	(2)	(2)
8614-007	Fuse 60A			(2)	(4)	(4)	(6)
8614-006	Fuse 30A			(2)		(2)	
8614-017	Fuse Block 15Kw			x			
8614-013	Fuse Block 20Kw				x		
8614-014	Fuse Block 25Kw					x	
8614-019	Fuse Block 30Kw						x
8604-014	Heat Strip 10Kw	x	x		(2)	x	
8604-015	Heat Strip 15Kw					x	(2)
8402-015	Limit Switch L130-2.0	(2)	(2)	(3)	(4)	(5)	(6)
8102-003	Motor 1/6 hp	x					
8105-012	Motor 1/3 hp		x	x	x		
8105-010	Motor 1/3 hp					x	x
8200-003	Motor Mount	x	x	x	x	x	x
5451-011	Motor Mounting Parts	x	x	x	x	x	x
8201-014	Relay - Blower	x	x	x	x	x	x
8607-006	Terminal Board 24V	x	x	x	x	x	x
8607-013	Terminal Block 230V	x	x				
8402-018	Thermal Cutoff	(2)	(2)	(3)	(4)	(5)	(6)
8407-034	Transformer	x	x	x			
8407-035	Transformer				x	x	x
4016-130	Wiring Diagram	x					
4016-131	Wiring Diagram		x				
4016-140	Wiring Diagram			x			
4016-150	Wiring Diagram				x		
4016-160	Wiring Diagram					x	
4016-170	Wiring Diagram						x

Please order by model number.
Minimum net billing \$15.00. Supersedes all previous lists.
Subject to change without notice.

PARTS LIST
HI-BOY GAS FURNACES

12-87

Part No.	Description	60,000 Heat	80,000 Heat	80,000 Heat/Cool	105,000 Heat	105,000 Heat/Cool	120,000 Heat/Cool	140,000 Heat/Cool	160,000 Heat/Cool	200,000 Heat
5601-004	Belt 39"									
8552-002	Capacitor 5/370V			x		x	x			x
8402-001	Fan and Limit 11"	x	x		x					
8402-007	Fan and Limit 8"									x
7003-004	Filter 16x25 P	x	x	x	x	x	x	x	x	x
171-136	Heat Exchanger	x	x	x						
171-140	Heat Exchanger				x	x	x			
171-145	Heat Exchanger							x	x	
171-109	Heat Exchanger									x
*	Housing - Blower 10-7	x	x	x	x					
*	Housing - Blower 10-9					x	x			
*	Housing - Blower 12-12									x
*	Housing - Blower 10-10							x	x	
8406-034	Spill Switch 170°	x			x	x				
8406-036	Spill Switch 190°		x	x				x		
8406-037	Spill Switch 220°						x			
8406-038	Spill Switch 240°								x	x
8102-005	Motor 1/6 hp	x	x		x					
8105-008	Motor 1/3 hp			x						
8106-001	Motor 1/2 hp									x
8105-009	Motor 1/3 hp					x	x			
8106-018	Motor 1/2 hp							x	x	
5153-005	Motor Adj. Bracket									x
8200-033	Motor Mount Band	x	x	x	x	x	x		x	
8200-034	Motor Mount Arm	x	x		x	x	x	x	x	
8200-036	Motor Mount Arm			x						
8402-042	Fan and Limit 11"			x		x	x	x	x	
9010-010	Orifice - Nat	x								
9010-008	Orifice - Nat		x	x			x		x	x
9010-009	Orifice - Nat				x	x		x		
8406-013	Micro Switch	x	x	x	x	x	x	x	x	x
8554-002	Pilot Burner - Nat	x	x	x	x	x	x	x	x	x
5501-012	Pulley - Blower 6 x 3/4									x
5501-015	Pulley - Motor 3 1/4 x 1/2									x
8407-006	Transformer	x	x		x					x
8201-007	Transformer w/Relay	x	x		x					x
8201-006	Trans. w/2 speed Relay			x		x	x	x	x	
5651-032	Valve - Nat. 1/2 x 3/4							x	x	x
5152-004	Wheel - Blower DD9-7A	x	x		x					
5152-010	Wheel - Blower DD10-7A			x						
5152-014	Wheel - Blower DD10-9A					x	x			
5152-042	Wheel - Blower CL220									x
5152-015	Wheel - Blower DD10-10A							x	x	
8554-003	Thermocouple	x	x	x	x	x	x	x	x	x
5651-061	Valve Nat. 1/2 x 3/4	x	x	x	x	x	x			
4046-100	Wiring Diagram	x	x		x					x
4046-101	Wiring Diagram			x		x	x	x	x	

*Please order by model number. Supersedes all previous lists.
Subject to change without notice.

**PARTS LIST
ELECTRIC IGNITION
HI-BOY GAS FURNACES**

12-87

Part No.	Description	60,000 Heat	80,000 Heat	80,000 Heat/Cool	105,000 Heat	105,000 Heat/Cool	120,000 Heat/Cool	140,000 Heat/Cool	160,000 Heat/Cool	200,000 Heat
5601-004	Belt 39"									x
8552-002	Capacitor 5/370V			x		x	x			
8402-001	Fan and Limit 11"	x	x		x					
8402-042	Fan and Limit 11"			x		x	x	x	x	
8402-007	Fan and Limit 8"									x
7003-004	Filter 16x25 P	x	x	x	x	x	x	x	x	x
171-136	Heat Exchanger	x	x	x						
171-140	Heat Exchanger				x	x	x			
171-145	Heat Exchanger							x	x	
171-109	Heat Exchanger									x
*	Housing - Blower 10-7	x	x	x	x					
*	Housing-Blower 10-9					x	x			
*	Housing-Blower 10-10							x	x	
*	Housing-Blower 12-12									x
8600-002	Ignition Wire	x	x	x	x	x	x	x	x	x
5651-060	Ignition Module	x	x	x	x	x	x	x	x	x
8406-034	Spill Switch 170°	x		x	x					
8406-036	Spill Switch 190°		x	x				x		
8406-037	Spill Switch 220°						x			
8406-038	Spill Switch 240°								x	x
8102-005	Motor 1/6 hp	x	x		x					
8105-008	Motor 1/3 hp			x						
8106-001	Motor 1/2 hp									x
8105-009	Motor 1/3 hp					x	x			
8106-018	Motor 1/2 hp							x	x	
5153-005	Motor Adj. Bracket									x
8200-033	Motor Mount Band	x	x	x	x	x	x			
8200-034	Motor Mount Arm	x	x		x	x	x	x	x	
8200-036	Motor Mount Arm			x						
9010-010	Orifice - Nat	x								
9010-008	Orifice - Nat		x	x			x		x	x
9010-009	Orifice - Nat				x	x		x		
8406-013	Micro Switch	x	x	x	x	x	x	x	x	x
8554-009	Pilot Burner - Nat	x	x	x	x	x	x	x	x	x
5501-012	Pulley -Blower 6x3/4									x
5501-015	Pulley-Motor 3¼x1/2									x
8407-025	Transformer	x	x		x					x
8201-007	Transformer w/Relay	x	x		x					x
8201-006	Trans.w/2-speed Relay			x		x	x	x	x	
5651-023	Valve-Nat. 1/2 x 3/4							x	x	x
5152-004	Wheel-Blower DD9-7A	x	x		x					
5152-010	Wheel-Blower DD10-7A			x						
5152-014	Wheel-Blower DD10-9A					x	x			
5152-042	Wheel-Blower CL220									x
5152-015	Wheel-Blower DD10-10A							x	x	
5651-062	Valve - Nat. 1/2 x 3/4	x	x	x	x	x	x			
4046-102	Wiring Diagram	x	x		x					x
4046-103	Wiring Diagram			x		x	x	x	x	

*Please order by model number.

Supersedes all previous lists. Subject to change without notice.

PARTS LIST
COUNTERFLOW GAS FURNACES

12-87

Part No.	Description	60,000 Heat	80,000 Heat	80,000 Heat/Cool	105,000 Heat/Cool	120,000 Heat/Cool	140,000 Heat/Cool	160,000 Heat/Cool
8402-046	Fan and Limit 11"	x	x	x	x	x		
8402-045	Fan and Limit 8"						x	x
7003-001	Filter 10x20 P				(2)	(2)	x	x
7003-003	Filter 15x20	x	x	x			x	x
171-148	Heat Exchanger	x	x	x				
171-139	Heat Exchanger				x	x		
171-143	Heat Exchanger						x	x
*	Housing - Blower 10-7	x	x	x				
*	Housing - Blower 10-9				x	x		
*	Housing - Blower 10-10						x	x
8402-014	Limit Switch	x	x	x	x	x	x	x
8406-032	Spill Switch 150 ⁰	x			x			
8406-033	Spill Switch 160 ⁰						x	
8406-034	Spill Switch 170 ⁰					x		
8406-035	Spill Switch 180 ⁰							x
8406-036	Spill Switch 190 ⁰		x	x				
8102-005	Motor 1/6 hp	x	x					
8105-008	Motor 1/3 hp			x				
8105-009	Motor 1/3 hp				x	x		
8106-018	Motor 1/2 hp						x	x
8200-033	Motor Mount Band	x	x	x	x	x	x	x
8200-034	Motor Mount Arm	x	x		x	x	x	x
8200-036	Motor Mount Arm			x				
9010-010	Orifice - Nat	x						
9010-008	Orifice - Nat		x	x		x		x
9010-009	Orifice - Nat				x		x	
8554-002	Pilot Burner	x	x	x	x	x	x	x
8406-013	Micro Switch	x	x	x	x	x	x	x
8554-003	Thermocouple	x	x	x	x	x	x	x
8407-006	Transformer	x	x					
8201-007	Transformer w/Relay	x	x					
8201-006	Transformer w/2-speed relay			x	x	x	x	x
5651-032	Valve - Nat 1/2 x 3/4						x	x
5152-004	Wheel - Blower DD9-7A	x	x					
5152-014	Wheel - Blower DD10-9A				x	x		
5152-010	Wheel - Blower DD10-7A			x				
5152-015	Wheel - Blower DD10-10A						x	x
8552-002	Capacitor 5/370V			x	x	x		
5651-061	Valve - Nat. 1/2 x 3/4	x	x	x	x	x		
4046-100	Wiring Diagram	x	x					
4046-101	Wiring Diagram			x	x	x	x	x

*Please order by model number.
Supersedes all previous lists. Subject to change without notice.

PARTS LIST
ELECTRIC IGNITION
COUNTERFLOW GAS FURNACES

12-87

Part No.	Description	60,000 Heat	80,000 Heat	80,000 Heat/Cool	105,000 Heat/Cool	120,000 Heat/Cool	140,000 Heat/Cool	160,000 Heat/Cool
8552-002	Capacitor 5/370V			x	x	x		
8402-046	Fan and Limit 11"	x	x	x	x	x		
8402-045	Fan and Limit 8"						x	x
7003-001	Filter 10x20 P				(2)	(2)	x	x
7003-003	Filter 15x20 P	x	x	x			x	x
171- 148	Heat Exchanger	x	x	x				
171- 139	Heat Exchanger				x	x		
171- 143	Heat Exchanger						x	x
*	Housing - Blower 10-7	x	x	x				
*	Housing - Blower 10-9				x	x		
*	Housing - Blower 10-10						x	x
8600-002	Ignition Wire	x	x	x	x	x	x	x
8402-014	Limit Switch 140°	x	x	x	x	x	x	x
8406-032	Spill Switch 150°	x			x			
8406-033	Spill Switch 160°						x	
8406-034	Spill Switch 170°					x		
8406-035	Spill Switch 180°							x
8406-036	Spill Switch 190°		x	x				
8406-013	Micro Switch	x	x	x	x	x	x	x
8102-005	Motor 1/6 hp	x	x					
8105-009	Motor 1/3 hp				x	x		
8105-008	Motor 1/3 hp			x				
8601-018	Motor 1/2 hp						x	x
8200-033	Motor Mount Band	x	x	x	x	x	x	x
8200-034	Motor Mount Arm	x	x		x	x	x	x
8200-036	Motor Mount Arm			x				
5651-060	Ignition Module	x	x	x	x	x	x	x
9010-010	Orifice - Nat	x						
9010-008	Orifice - Nat		x	x		x		x
9010-009	Orifice - Nat				x		x	
8554-009	Pilot and Orifice - Nat	x	x	x	x	x	x	x
8607-005	Terminal Block	x	x	x	x	x	x	x
8407-025	Transformer 20VA	x	x					
8201-006	Fan Relay w/Trans.			x	x	x	x	x
5651-023	Valve - Nat. 1/2 x 3/4						x	x
5152-004	Wheel DD9-7A (blower)	x	x					
5152-014	Wheel DD10-9A (blower)				x	x		
5152-015	Wheel DD10-10A (blower)						x	x
5152-010	Wheel DD10-7A (blower)			x				
5651-062	Valve - Nat. 1/2 x 3/4	x	x	x	x	x		
4046-102	Wiring Diagram	x	x					
4046-103	Wiring Diagram			x	x	x	x	x

Supersedes all previous lists. Subject to change without notice.

PARTS LIST

High Economy Hi-Boy Gas Furnace

9-87

PART NO.	DESCRIPTION	60,000	86,000	115,000
8552-002	Capacitor 5/370V	X	X	
8552-004	Capacitor 7.5/370V			X
8402-042	Fan and Limit 11"	X	X	X
7003-004	Filter 16x25 P	X	X	X
171-101	Heat Exchanger	X		
171-104	Heat Exchanger		X	
171-107	Heat Exchanger			X
*	Housing - Blower 10-7	X		
*	Housing - Blower 10-9		X	
*	Housing - Blower 10-10			X
8109-001	Combustion air blower	X	X	X
8600-002	Ignition Wire	X	X	X
5651-060	Ignition Module	X	X	X
163-001	Manifold Assembly	X		
163-002	Manifold Assembly		X	
163-003	Manifold Assembly			X
8105-008	Motor 1/3 hp	X		
8105-009	Motor 1/3 hp		X	
8106-018	Motor 1/2 hp			X
8200-003	Motor Mount	X	X	
5451-011	Motor Mounting Parts	X	X	X
9010-010	Orifice - Nat	X	X	X
8406-013	Micro Switch	X	X	X
8554-009	Pilot Burner - Nat	X	X	X
8406-021	Pressure Switch	X	X	X
8201-048	Relay - DPST	X	X	X
8201-006	Transformer w/2-Speed Relay	X	X	X
5651-062	Valve - Nat. 1/2 x 3/4	X	X	X
9010-015	Venturi - 2 Cell	X		
9010-016	Venturi - 3 Cell		X	
9010-017	Venturi - 4 Cell			X
5152-010	Wheel - Blower DD10-7A	X		
5152-014	Wheel - Blower DD10-9A		X	
5152-015	Wheel - Blower DD10-10A			X
8200-028	Motor Mount			X
4046-104	Wiring Diagram	X	X	X

*Please order by model number.

Supersedes all previous lists.

Subject to change without notice.

PARTS LIST

High Economy Counterflow Gas Furnace

9-87

PART NO.	DESCRIPTION	60,000	86,000	115,000
8552-002	Capacitor 5/370V	x	x	
8552-004	Capacitor 7.5/370V			x
8402-046	Fan and Limit 11"	x		
8402-045	Fan and Limit 8"		x	x
7003-001	Filter 10x20 P		(2)	x
7003-003	Filter 15x20 P	x		x
171-123	Heat Exchanger	x		
171-124	Heat Exchanger		x	
171-125	Heat Exchanger			x
*	Housing - Blower 10-7	x		
*	Housing - Blower 10-9		x	
*	Housing - Blower 10-10			x
8600-002	Ignition Wire	x	x	x
8109-001	Combustion air blower	x	x	x
8402-014	Limit Switch 140°	x	x	x
163-001	Manifold Assembly	x		
163-002	Manifold Assembly		x	
163-003	Manifold Assembly			x
8406-013	Micro Switch	x	x	x
8105-009	Motor 1/3 hp		x	
8105-008	Motor 1/3 hp	x		
8106-018	Motor 1/2 hp			x
8200-003	Motor Mount	x	x	
5451-011	Motor Mounting Parts	x	x	x
5651-060	Ignition Module	x	x	x
9010-010	Orifice - Nat	x	x	x
8554-009	Pilot and Orifice - Nat	x	x	x
8406-021	Pressure Switch	x	x	x
8201-048	Relay - DPST	x	x	x
8201-005	Fan Relay w/Trans.	x	x	x
8200-028	Motor Mount			x
5651-062	Valve - Nat. 1/2 x 3/4	x	x	x
9010-015	Venturi 2-Cell	x		
9010-016	Venturi 3 Cell		x	
9010-017	Venturi 4-Cell			x
5152-014	Wheel DD10-9A (blower)		x	
5152-015	Wheel DD10-10A (blower)			x
5152-010	Wheel DD10-7A (blower)	x		
4046-105	Wiring Diagram	x	x	x

*Please order by model number.
 Supersedes all previous lists.
 Subject to change without notice.

PARTS LIST

High Economy Lo-Boy Gas Furnace

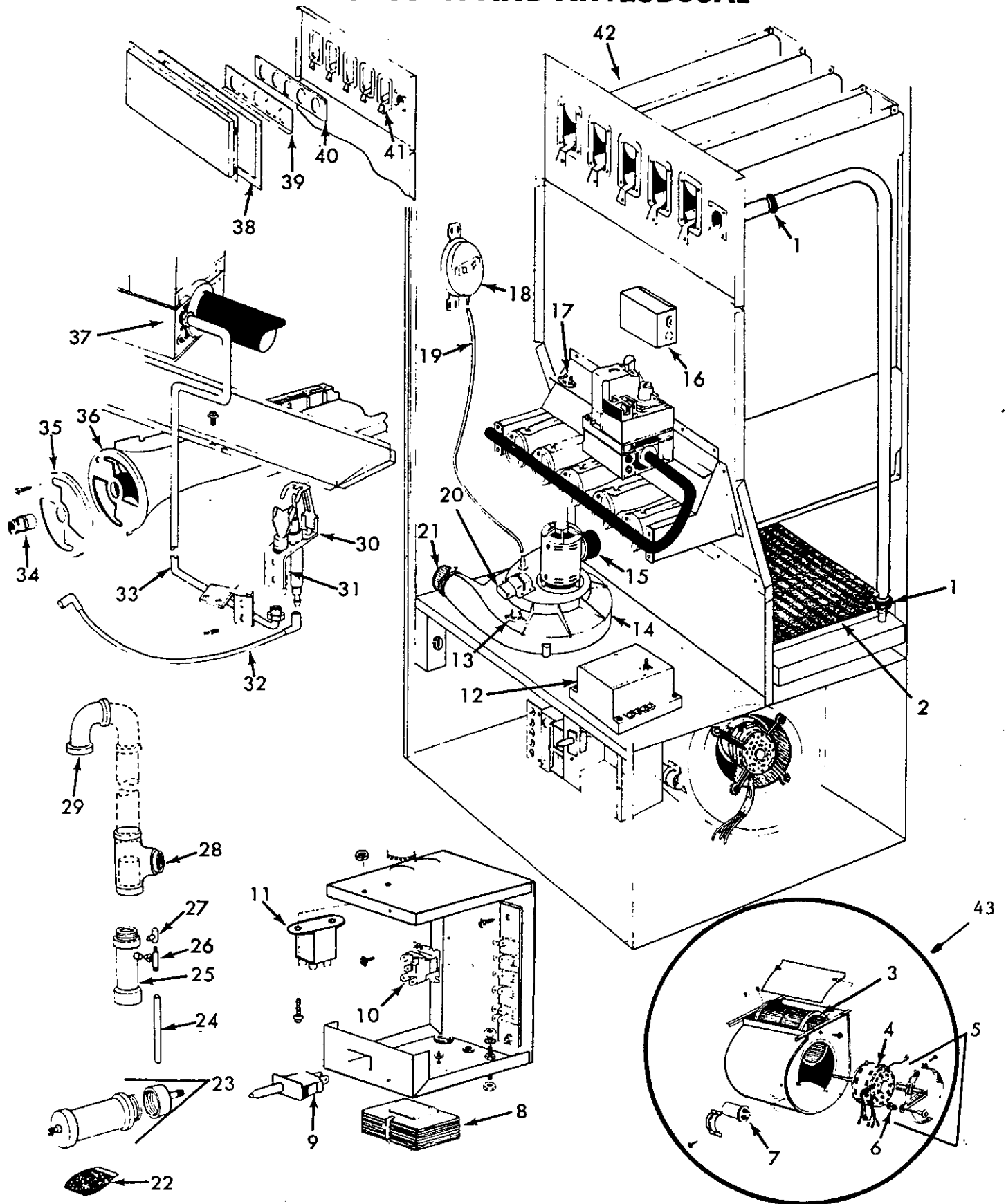
9-87

Part No.	Description	86,000	115,000	145,000
8552-002	Capacitor 5/370V	x		
8552-004	Capacitor 7.5/370V		x	
8552-026	Capacitor 15/370V			x
8402-043	Fan and Limit 8"	x	x	
8402-042	Fan and Limit 11"			x
7003-014	Filter - 18-3/4 x 20 P	x	x	
7003-015	Filter - 22-3/4 x 20 P			x
7003-016	Filter - 13 x 20 P			x
171-128	Heat Exchanger	x		
171-127	Heat Exchanger		x	
171-126	Heat Exchanger			x
*	Housing - Blower 10-9	x		
*	Housing - Blower 10-10		x	
8600-002	Ignition Wire	x	x	x
8109-001	Combustion air blower	x	x	x
8200-028	Motor Mount		x	
163-002	Manifold Assembly	x		
163-003	Manifold Assembly		x	
163-004	Manifold Assembly			x
8406-013	Micro Switch	x	x	x
8105-009	Motor 1/3 hp	x		
8106-018	Motor 1/2 hp		x	
8107-004	Motor 3/4 hp			x
8200-003	Motor Mount	x		
8200-026	Motor Mount			x
5451-011	Motor Mounting Parts	x	x	
9010-010	Orifice - Nat	x	x	x
8554-009	Pilot and Orifice - Nat	x	x	x
5651-060	Ignition Module	x	x	x
8406-021	Pressure Switch	x	x	x
8201-048	Relay - DPST	x	x	x
8201-006	Fan Relay w/Trans.	x	x	x
5651-062	Valve - Nat. 1/2 x 3/4	x	x	
5651-023	Valve - Nat. 1/2 x 3/4			x
9010-016	Venturi 3 Cell	x		
9010-017	Venturi 4 Cell		x	
9010-018	Venturi 5 Cell			x
5152-014	Wheel DD10-9A (blower)	x		
5152-015	Wheel DD10-10A (blower)		x	
5152-050	Wheel and Housing Assembly			x
4046-107	Wiring Diagram	x	x	x

Supersedes all previous lists.
Subject to change without notice.

*Please order by model number.

**GAS FURNACE—MODELS XH050D36AN, XH050D36AL,
XH075D42AN, XH075D42AL, XH100D48AN, XH100D48AL,
XH125D60AN AND XH125D60AL**



Functional Replacement Parts

REPLACEMENT PART SUPPLIED WILL BE CURRENT ACTIVE PART.
FOR PARTS NOT LISTED CONSULT PLACE OF PURCHASE.

ALL MODELS
XH050D36AN
XH050D36AL
XH075D42AN
XH075D42AL
XH100D48AN
XH100D48AL
XH125D60AN
XH125D60AL

KEY NO.	DESCRIPTION	REPLACEMENT PART NUMBER	MODEL NUMBER/QUANTITY REQUIRED											
			ALL MODELS	XH050D36AN	XH050D36AL	XH075D42AN	XH075D42AL	XH100D48AN	XH100D48AL	XH125D60AN	XH125D60AL			
1	O-Ring	9044-182	2											
2	Coil, Condenser	9044-238	-	1	1									
		9044-239	-	-	-	1	1							
		9044-236	-	-	-	-	-	1	1					
		9044-237	-	-	-	-	-	-	-		1	1		
3	Wheel, Blower	9044-175	-	1	1									
		9044-176	-	-	-	1	1	1	1					
		9044-177	-	-	-	-	-	-	-			1	1	
4	Motor, 1/2H.P., 4SP/PSC	9044-169	-	1	1									
	3/4H.P., 4SP/PSC	9044-170	-	-	-	1	1	1	1					
	3/4H.P., 4SP/PSC	9044-240	-	-	-	-	-	-	-			1	1	
5	Mount, Motor (Includes No. 6)	9044-168	-	1	1	1	1	1	1					
		9044-172	-	-	-	-	-	-	-			1	1	
6	Grommet, Motor Mount	9044-173	-	3	3	3	3	3	3			4	4	
7	Capacitor	8552-004	-	1	1									
	7.5MFD., 370V.,	8552-005	-	-	-	1	1	1	1					
	10MFD., 370V.,	9044-174	-	-	-	-	-	-	-			1	1	
	15MFD., 370V.,	9044-228	1											
8	Transformer	9044-229	1											
9	Switch, Interlock	9044-231	1											
10	Relay, OPDT	9044-230	1											
11	Relay, OPST	9044-215	-	1	-	1	-	1	-		1	-	-	
12	Module, Control (Nat. Gas)	9044-216	-	-	1	-	1	-	1		-	-	1	
	(L.P. Gas)	9044-224	-	1	1									
13	Switch, Limit	9044-225	-	-	-	1	1	1	1					
		9044-226	-	-	-	-	-	-	-			1	1	
14	Blower, Exhaust	9044-222	1											
15	Coupling	9044-223	1											
16	Control, Fan and Limit	9044-232	1											
17	Switch, Limit	9044-217	1											
18	Switch, Pressure	9044-243	-	1	1									
		9044-244	-	-	-	1	1							
		9044-246	-	-	-	-	-	1	1					
		9044-245	-	-	-	-	-	-	-			1	1	
19	Tube, Sensor	9044-258	1											
20	Capacitor, 5MFD., 370V.,	8552-004	1											
21	Coupling, No Hub Band	9044-227	1											
22	Neutralizer (Optional)	9044-192	1											
23	Kit, Neutralizer Tubing (Optional)	9044-193	1											
24	Tubing, 5/8"O.D. X 1/2" I.D. (Optional)	-----												
25	Trap	9044-194	1											
26	Tee, 1/2" Male	9044-195	1											
27	Tee, 1/2" Union	9044-196	1											
28	Tee, 2" (Includes Float (1000887))	9044-197	1											
29	Cap, Vent	9044-198	1											
30	Burner, Pilot (Nat. Gas) With Orifice	9044-107	-	1	-	1	-	1	-		1	-	1	
	(L.P. Gas) With Orifice	9044-108	-	-	1	-	1	-	1		-	-	1	
31	Orifice, Pilot (Nat.) (.018)	9044-112	-	1	-	1	-	1	-		1	-	1	
	(L.P.) (.016)	9044-113	-	-	1	-	1	-	1		-	-	1	
32	Wire, Spark	9044-247	1											
33	Tube, Pilot	9044-248	-	1	1	1	1							
		9044-249	-	-	-	-	-	1	1		1	1	1	
34	Orifice, Main Burner (Nat. Gas) (No. 42)	9044-190	-	2	-	3	-	4	-		5	-	5	
	(L.P. Gas) (No. 54)	9044-191	-	-	2	-	3	-	4		-	-	5	
35	Shutter, Air	9044-120	-	-	2	3	3	-	4		5	5	5	
36	Burner	9044-150	-	2	2	3	3	4	4		5	5	5	
37	Valve, Gas (Nat.)	9044-183	-	1	-	1	-	1	-		1	-	1	
	(L.P.)	9044-184	-	-	1	-	1	-	1		-	-	1	
38	Gasket, Collector Box	9044-250	-	1	1	1	1							
		9044-200	-	-	-	-	-	1	1					
		9044-201	-	-	-	-	-	-	-			1	1	
39	Plate, Restrictor	9044-251	-	1	1									
		9044-252	-	-	-	1	1							

Functional Replacement Parts

REPLACEMENT PART SUPPLIED WILL BE CURRENT ACTIVE PART.
FOR PARTS NOT LISTED CONSULT PLACE OF PURCHASE.

ALL MODELS
XH050D36AN
XH050D36AL
XH075D42AN
XH075D42AL
XH100D48AN
XH100D48AL
XH125D60AN
XH125D60AL

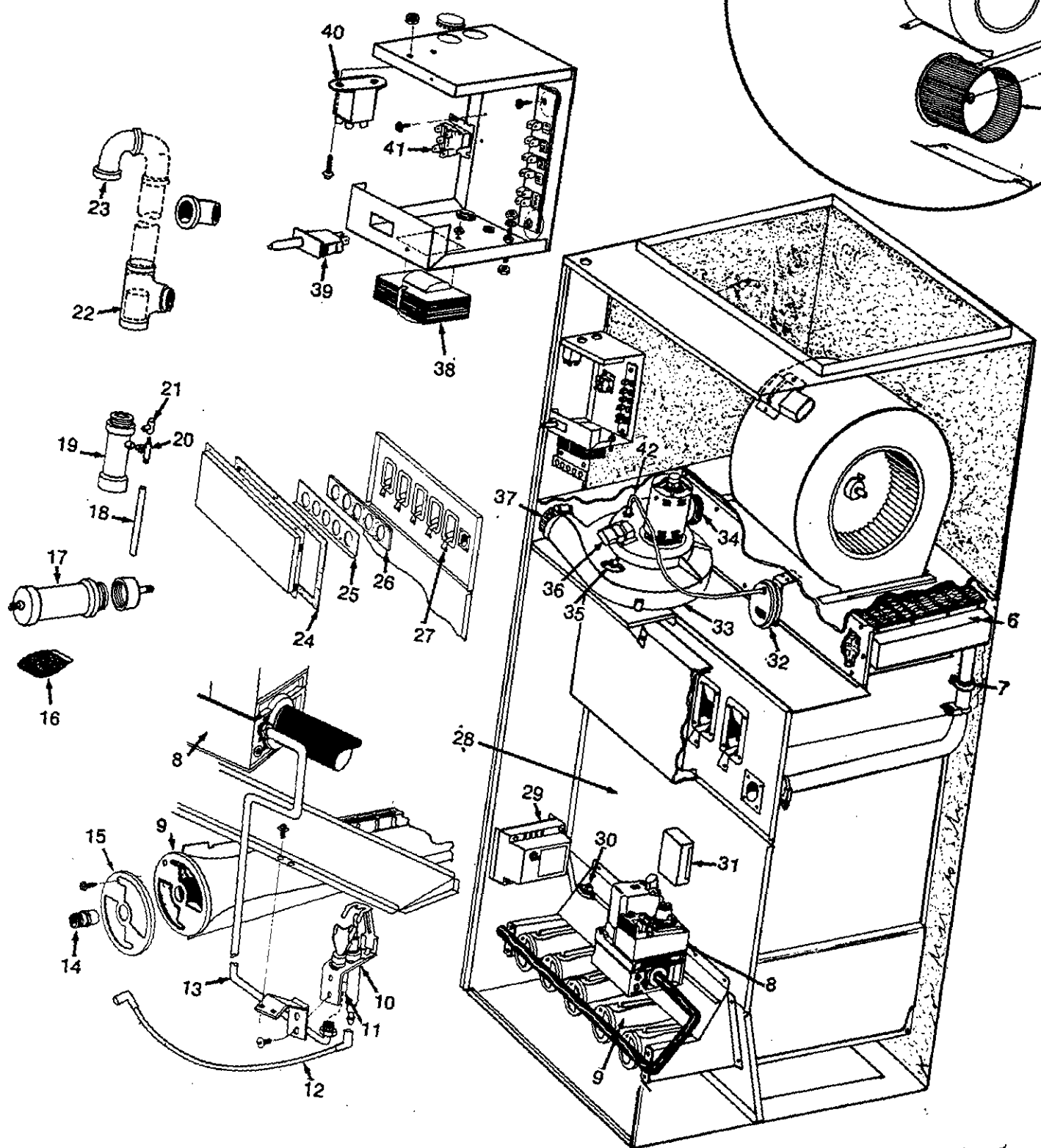
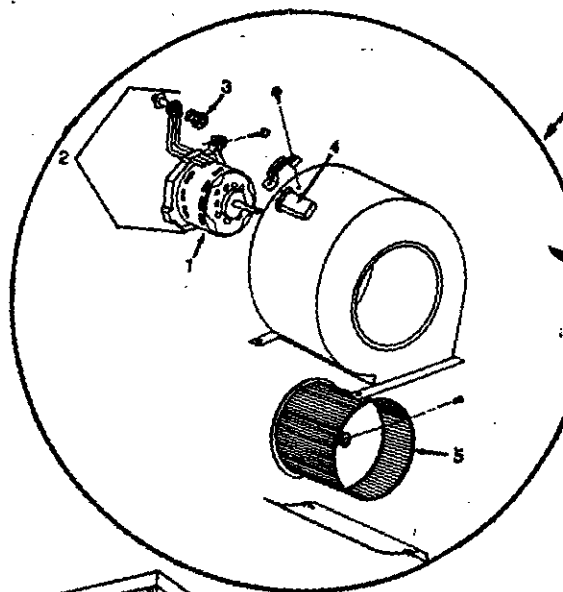
KEY NO.	DESCRIPTION	REPLACEMENT PART NUMBER	MODEL NUMBER/QUANTITY REQUIRED								
			XH050D36AN	XH050D36AL	XH075D42AN	XH075D42AL	XH100D48AN	XH100D48AL	XH125D60AN	XH125D60AL	
39	Plate, Restrictor	9044-253	-	-	-	-	-	1	1	-	-
		9044-205	-	-	-	-	-	-	-	1	1
40	Gasket, Restrictor Plate	9044-206	-	1	1	-	-	-	-	-	-
		9044-207	-	-	-	1	1	-	-	-	-
		9044-208	-	-	-	-	-	1	1	-	-
		9044-209	-	-	-	-	-	-	-	1	1
41	Baffle, Flue	9044-210	-	2	2	3	3	4	4	5	5
42	Exchanger, Heat	9044-254	-	1	1	-	-	-	-	-	-
		9044-255	-	-	-	1	1	-	-	-	-
		9044-256	-	-	-	-	-	1	1	-	-
		9044-257	-	-	-	-	-	-	-	1	1
I	Filter, Air (16" X 25" X 1")	7003-004	-	1	1	1	1	1	1	-	-
	(24" X 25" X 1")	9044-259	-	-	-	-	-	-	-	1	1
I	Manual, Installation	1000764	1	-	-	-	-	-	-	-	-
I	Manual, Homeowners	1000765	1	-	-	-	-	-	-	-	-
I	Manual, Technical Support	1002668	1	-	-	-	-	-	-	-	-
I	Warranty	F1081	1	-	-	-	-	-	-	-	-
I	PART NOT ILLUSTRATED										
43	Blower Assembly Complete	9044-262	-	1	1	-	-	-	-	-	-
		9044-261	-	-	1	1	1	1	1	-	-
		9044-263	-	-	-	-	-	-	-	1	1

FUNCTIONAL REPLACEMENT PARTS

FOR

NATURAL GAS MODELS
XC075D36AN
XC100D48AN
XC125D60AN

L. P. GAS MODELS
XC075D36AL
XC100D48AL
XC125D60AL



Functional Replacement Parts

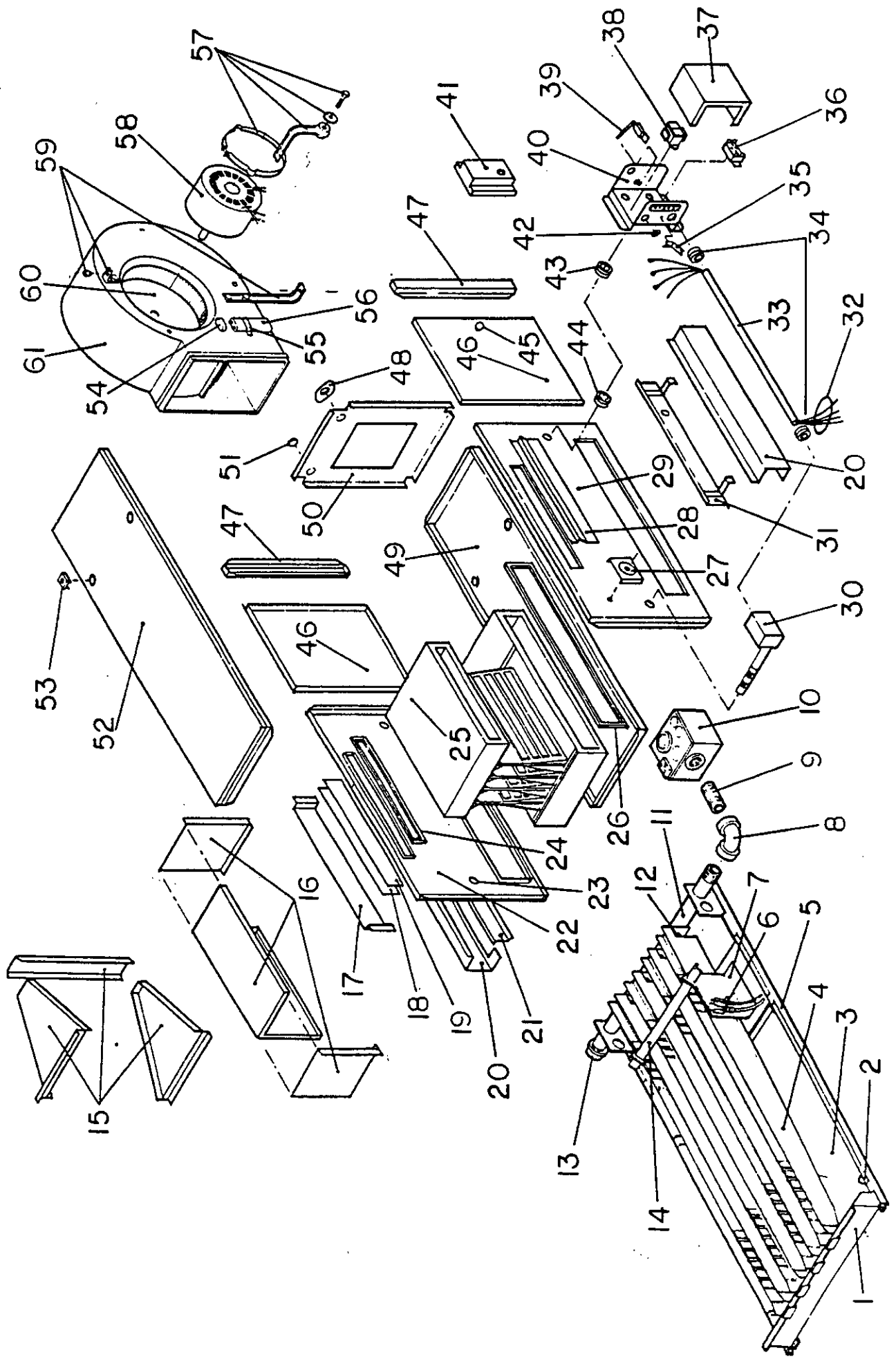
REPLACEMENT PART SUPPLIED WILL BE CURRENT ACTIVE PART.
FOR PARTS NOT LISTED CONSULT PLACE OF PURCHASE.

KEY NO.	DESCRIPTION	REPLACEMENT PART NUMBER	MODEL NUMBER/QUANTITY REQUIRED					
			XC075D36AN	XC075D36AL	XC100D48AN	XC100D48AL	XC125D60AN	XC125D60AL
1	Motor, Blower 1/2H.P. 4SP/PSC	9044-169	1	1				
	3/4H.P. SM. 4SP/PSC	9044-170	-	-	1	1		
	3/4H.P. LG. 4SP/PSC	9044-171	-	-	-	-	1	1
2	Assembly, Motor Mount (Includes Key No. 3)	9044-168	1	1	1	1		
		9044-172	-	-	-	-	1	1
3	Gronnett, Blower	9044-173	3	3	3	3	4	4
4	Capacitor, 7.5MFD., 370V.,	8552-004	1	1				
	10MFD., 370V.,	8552-005	-	-	1	1		
	15MFD., 370V.,	9044-174	-	-	-	-	1	1
5	Wheel, Blower	9044-175	1	1				
		9044-176	-	-	1	1		
		9044-177	-	-	-	-	1	1
6	Coil, Condenser	9044-179	1	1				
		9044-180	-	-	1	1		
		9044-181	-	-	-	-	1	1
7	O-Ring	9044-182	1	1	1	1	1	1
8	Valve, Gas (Nat.)	9044-183	1	-	1	-	1	-
	(L.P.)	9044-184	-	1	-	1	-	1
9	Burner	9044-150	3	3	4	4	5	5
10	Pilot/Igniter/Sensor (Nat. Gas)	9044-107	1	-	1	-	1	-
	(L.P. Gas)	9044-108	-	1	-	1	-	1
11	Orifice, Pilot (.018) (Nat.)	9044-112	1	-	1	-	1	-
	(.016) (L.P.)	9044-113	-	1	-	1	-	1
12	Wire, Spark	9044-186	1	1	1	1	1	1
13	Tube, Pilot	9044-187	1	1				
		9044-188	-	-	1	1	1	1
14	Orifice, Main Burner (Nat.) (No. 42)	9044-190	3	-	4	-	5	-
	(L.P.) (No. 54)	9044-191	-	3	-	4	-	5
	Shutter, Air	9044-120	1	1	1	1	1	1
16	Neutralizer (Optional)	9044-192	1	1	1	1	1	1
17	Kit, Neutralizer Tubing (Optional)	9044-193	1	1	1	1	1	1
18	Tubing, 5/8" O.D. X 1/2" I.D. Optional	-----	1	1	1	1	1	1
19	Trap	9044-194	1	1	1	1	1	1
20	Tee, 1/2" Male	9044-195	1	1	1	1	1	1
21	Tee, 1/2" Union	9044-196	1	1	1	1	1	1
22	Tee, 2" (Includes Float #1000887)	9044-197	1	1	1	1	1	1
23	Cap, Vent	9044-198	1	1	1	1	1	1
24	Gasket, Collector Box	9044-199	1	1				
		9044-200	-	-	1	1		
		9044-201	-	-	-	-	1	1
25	Plate, Restrictor	9044-203	1	1				
		9044-204	-	-	1	1		
		9044-205	-	-	-	-	1	1
26	Gasket, Restrictor Plate	9044-207	1	1				
		9044-208	-	-	1	1		
		9044-209	-	-	-	-	1	1
27	Baffle, Flue	9044-210	3	3	4	4	5	5
28	Exchanger, Heat	9044-212	1	1				
		9044-213	-	-	1	1		
		9044-214	-	-	-	-	1	1
29	Module, Control 25V., (Nat.)	9044-215	1	-	1	-	1	-
	(L.P.)	9044-216	-	1	-	1	-	1
30	Switch, Limit	9044-217	1	1	1	1	1	1
31	Control, Fan and Limit	9044-234	1	1	1	1		
		9044-235	-	-	-	-	1	1
32	Switch, Pressure	9044-219	1	1				
		9044-220	-	-	1	1		
		9044-221	-	-	-	-	1	1
33	Blower, Exhaust	9044-222	1	1	1	1	1	1
	Coupling	9044-223	1	1	1	1	1	1
	Switch, Limit	9044-225	1	1	1	1		

Functional Replacement Parts

REPLACEMENT PART SUPPLIED WILL BE CURRENT ACTIVE PART.
FOR PARTS NOT LISTED CONSULT PLACE OF PURCHASE.

KEY NO.	DESCRIPTION	REPLACEMENT PART NUMBER	MODEL NUMBER/QUANTITY REQUIRED					
			XC075D36AN	XC075D36AL	XC100D48AN	XC100D48AL	XC125D60AN	XC125D60AL
36	Capacitor, 5MFD., 370V.,	8552-002	1	1	1	1	1	1
37	Coupling, No Hub Band	9044-227	1	1	1	1	1	1
38	Transformer	9044-228	1	1	1	1	1	1
39	Switch, Interlock	9044-229	1	1	1	1	1	1
40	Relay, DPST	9044-230	1	1	1	1	1	1
41	Relay, DPDT	9044-231	1	1	1	1	1	1
	Filter, Air (15" x 20" x 1")	7003-003	2	2	2	2	2	2
	Warranty	F1081	1	1	1	1	1	1
	Manual, Homeowners Information	1000765	1	1	1	1	1	1
	Manual, Installation	1000763	1	1	1	1	1	1
	Manual, Technical Support	1002669	1	1	1	1	1	1
	PART NOT ILLUSTRATED							
42	Blower Assembly Complete	9044-262	1	1	-	-	-	-
		9044-261	-	-	1	1	-	-
		9044-263	-	-	-	-	1	1



PARTS LIST
GAS HORIZONTAL

12/9/83

Part No.	Illustration Number	Description	Standing Pilot					Electric Ignition					
			SG50D36A	SG75D42A	SG100D48A	SG120D60A	SG140D60A	ESG50D36A	ESG75D42A	ESG100D48A	ESG120D60A	ESG140D60A	
9010-023	4	Burner Venturi Assembly	2	3	4	5	6						
9043-001	14	Crossover Angle	x					x					
9043-002	14	Crossover Angle		x					x				
9043-003	14	Crossover Angle			x						x		
9043-004	14	Crossover Angle				x						x	
9043-005	14	Crossover Angle					x						x
8554-010	6	MH Pilot Burner Q314 Nat	x	x	x	x	x						
8554-011	6	MH Thermocouple Q308 24"	x	x	x	x	x						
5651-042	10	MH Gas Valve VR800A1012	x	x	x	x	x						
8554-012	6	EX613 Pilot & Ignitor Assy. Nat.						x	x	x	x	x	x
5651-043	10	EX613 Valve SX345NS Nat.						x	x	x	x	x	x
5651-044	41	EX613-300 Module						x	x	x	x	x	x
5651-045	41	EX613-300 Wiring Assembly						x	x	x	x	x	x
9010-024	12	Burner Orifice Nat.	2	3	4			2	3	4			
9010-025	12	Burner Orifice Nat.				5	6					5	6
9010-026	12	Burner Orifice LP	2	3	4			2	3	4			
9010-027	12	Burner Orifice LP				5	6					5	6
5818-014	11	Manifold Assembly	x					x					
5818-015	11	Manifold Assembly		x					x				
5818-016	11	Manifold Assembly			x					x			
5818-017	11	Manifold Assembly				x						x	
5818-018	11	Manifold Assembly					x						x
9043-006	16	Draft Diverter Assembly	x	x				x	x				
9043-007	16	Draft Diverter Assembly			x						x		
9043-008	16	Draft Diverter Assembly				x						x	
9043-009	16	Draft Diverter Assembly					x						x
9010-021		LP Kit	x	x	x	x	x						
9010-022		LP Kit						x	x	x	x	x	x
5152-032	60	Blower Wheel 10-4	x					x					
5152-033	60	Blower Wheel 10-6		x					x				
5152-034	60	Blower Wheel 10-8			x						x		
5152-035	60	Blower Wheel 10-10				x	x					x	x
8104-006	58	Motor 1/4 hp 3 speed	x	x				x	x				
8105-025	58	Motor 1/3 hp 3 speed			x						x		
8106-019	58	Motor 1/2 hp 2 speed				x	x					x	x
8552-004	56	Capacitor 7.5 - 370V	x	x	x	x	x	x	x	x	x	x	x

PARTS LIST
GAS HORIZONTAL

Effective 4-26-84
Supersedes 12-9-83

Part No.	Illustration Number	Description	Standing Pilot					Electric Ignition				
			SG50D36A	SG75D42A	SG100D48A	SG120D60A	SG140D60A	ESG50D36A	ESG75D42A	ESG100D48A	ESG120D60A	ESG140D60A
8200-024	57	Motor Mounting Kit	x					x				
8200-025	57	Motor Mounting Kit		x	x	x	x		x	x	x	x
5152-027	61	Blower Housing 10-4	x					x				
5152-036	61	Blower Housing 10-6		x					x			
5152-037	61	Blower Housing 10-8			x					x		
5152-038	61	Blower Housing 10-10				x	x				x	x
9041-024	25	Heat Exchanger (2 Sec.)	x					x				
9041-025	25	Heat Exchanger (3 Sec.)		x					x			
9041-026	25	Heat Exchanger (4 Sec.)			x					x		
9041-027	25	Heat Exchanger (5 Sec.)				x					x	
9041-028	25	Heat Exchanger (6 Sec.)					x					x
* 8402-039	30	Fan & Limit L4064T1848 8"	x		x	x	x	x		x	x	x
8402-040	30	Fan & Limit L4064T1830 5"		x					x			
8402-037	48	Auxiliary Limit 160°	x		x	x	x	x		x	x	x
8402-038	48	Auxiliary Limit 160°		x					x			
8406-023	39	Door Interlock Switch	x	x	x	x	x	x	x	x	x	x
8201-046	36	Blower Relay 184-20103-306	x	x	x	x	x	x	x	x	x	x
8407-033	38	Transformer 40VA	x	x	x	x	x	x	x	x	x	x

Any part not on parts list, order by illustration number from exploded view on page 52.
Also reference unit model number.

PARTS LIST -- Standing Pilot Gas Horizontal

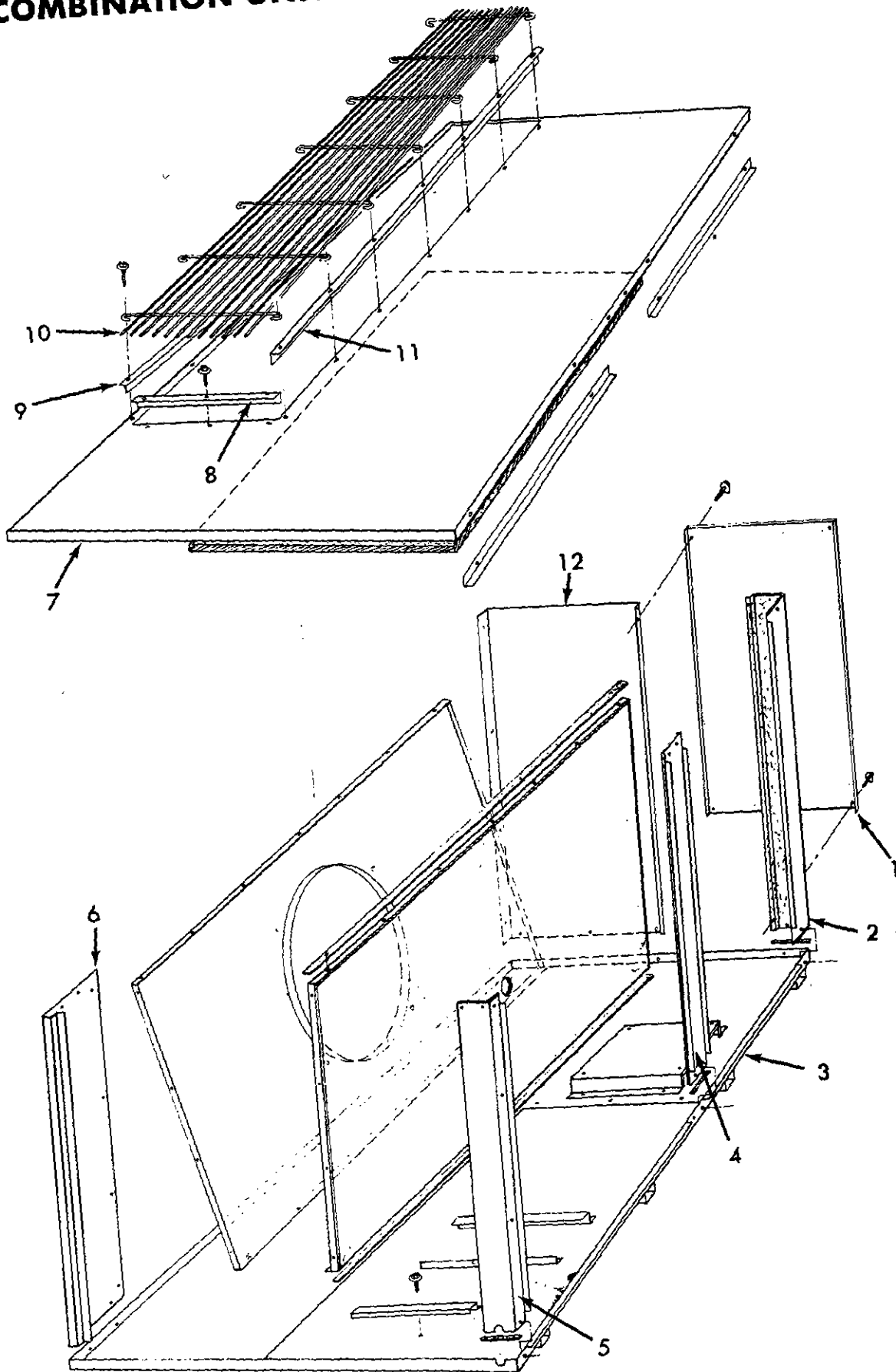
4/87

Part No.	Illustration No.	Description	SC040D36B	SC050D36B	SC060D48B	SC075D00A	SC075D42A	SC075D48B	SC080D60B	SG100D00A	SG100D48A	SG100D60B	SG120D60A	SC0960B
9043-022	4	Main Burner	2	2	3	3	3	3	4	4	4	4	5	6
9043-001	14	Crossover Angle	x	x										
9043-002	14	Crossover Angle			x	x	x	x						
9043-003	14	Crossover Angle							x	x	x	x		
9043-004	14	Crossover Angle											x	
9043-005	14	Crossover Angle												x
9043-027	6	MH Pilot Burner Q314 Nat.	x	x	x	x	x	x	x	x	x	x	x	x
9043-028	6	MH Thermocouple Q308 24"	x	x	x	x	x	x	x	x	x	x	x	x
9043-030	10	MH Gas Valve VR800A1012	x	x	x	x	x	x	x	x	x	x	x	x
9043-023	12	Nat. Burner Orifice #41		2		3	3	3		4	4	4		
9043-024	12	Nat. Burner Orifice #40											5	6
9043-063	12	Nat. Burner Orifice #43	2		3				4					
9043-034	11	Manifold Assembly (w/o orifice)	x	x										
9043-035	11	Manifold Assembly (w/o orifice)				x	x							
9043-036	11	Manifold Assembly (w/o orifice)							x			x		
9043-037	11	Manifold Assembly (w/o orifice)											x	
9043-038	11	Manifold Assembly (w/o orifice)												x
9043-064	11	Manifold Assembly (w/o orifice)								x	x			
9043-065	11	Manifold Assembly (w/o orifice)			x			x						
9043-006	16	Draft Diverter Assembly	x	x	x	x	x	x						
9043-007	16	Draft Diverter Assembly							x	x	x	x		
9043-008	16	Draft Diverter Assembly											x	
9043-009	16	Draft Diverter Assembly												
9043-039	60	Blower Wheel 10-4	x											
9043-040	60	Blower Wheel 10-6		x		x	x							
9043-041	60	Blower Wheel 10-8			x			x		x	x			
9043-042	60	Blower Wheel 10-10							x			x	x	x
9043-066	58	Motor 1/6 hp 1 speed 115V				x								
9043-067	58	Motor 1/5 hp 1 speed 115V								x				
9043-047	58	Motor 1/4 hp 3 speed 115V	x	x			x							
9043-048	58	Motor 1/3 hp 3 speed 115V			x			x			x			
9043-049	58	Motor 1/2 hp 2 speed 115V							x			x	x	x
8552-004	56	Capacitor 7.5 - 370V	x	x			x	x	x		x	x	x	x
9043-050	57	Motor Mounting Kit	x	x										
9043-051	57	Motor Mounting Kit			x	x	x	x	x	x	x	x	x	x
9043-046	61	Blower Housing 10-4	x											
9043-043	61	Blower Housing 10-6		x		x	x							
9043-044	61	Blower Housing 10-8			x			x		x	x			
9043-045	61	Blower Housing 10-10							x			x	x	x
9043-057	25	Heat Exchanger 2 section	x	x										
9043-058	25	Heat Exchanger 3 section				x	x							
9043-059	25	Heat Exchanger 4 section							x	x	x			
9043-060	25	Heat Exchanger 5 section											x	
9043-061	25	Heat Exchanger 6 section												x
9043-068	25	Heat Exchanger 3 section			x			x						
9043-069	25	Heat Exchanger 4 section										x		
9043-053	30	Fan/Limit L4064T1830 5"	x	x	x	x	x	x	x	x	x	x	x	x
9043-054	48	Aux. Limit Open 160 Close 130	x	x	x	x	x	x	x	x	x	x	x	x
9043-055	39	Door Interlock Switch	x	x	x	x	x	x	x	x	x	x	x	x
9043-052	36	Blower Relay 184-20103-306	x	x	x	x	x	x	x	x	x	x	x	x
9043-056	38	Transformer 40VA	x	x	x	x	x	x	x	x	x	x	x	x

PARTS LIST - Intermittent Pilot Gas Horizontal

Part No.	Illustration No.	Description	ESG040D36C	ESG050D36C	ESG060D48C	ESG075D00A	ESG075D42A	ESG075D48C	ESG080D60C	ESG100D00A	ESG100D48A	ESG100D60C	ESG120D60A	ESG140D60B
9043-022	4	Main burner	2	2	3	3	3	3	4	4	4	4	5	6
9043-001	14	Crossover angle	x	x										
9043-002	14	Crossover angle			x	x	x	x						
9043-003	14	Crossover angle							x	x	x	x		
9043-004	14	Crossover angle											x	
9043-005	14	Crossover angle												x
9043-070	6	MH pilot burner Q345 Nat.	x	x	x	x	x	x	x	x	x	x	x	x
8600-006	6	Ignition cable 30"	x	x	x	x	x	x	x	x	x	x	x	x
5651-060	41	Ignition module S86H	x	x	x	x	x	x	x	x	x	x	x	x
9043-071	10	MH gas valve VR8440A 2001	x	x	x	x	x	x	x	x	x	x	x	x
9043-023	12	Nat. burner orifice #41		2		3	3	3		4	4	4		
9043-024	12	Nat. burner orifice #40											5	6
9043-063	12	Nat. burner orifice #43	2		3				4					
9043-034	11	Manifold assembly (w/o orifice)	x	x										
9043-035	11	Manifold assembly (w/o orifice)				x	x							
9043-036	11	Manifold assembly (w/o orifice)							x			x		
9043-037	11	Manifold assembly (w/o orifice)											x	
9043-038	11	Manifold assembly (w/o orifice)												x
9043-064	11	Manifold assembly (w/o orifice)								x	x			
9043-065	11	Manifold assembly (w/o orifice)			x			x						
9043-006	16	Draft diverter assembly	x	x	x	x	x	x						
9043-007	16	Draft diverter assembly							x	x	x	x		
9043-008	16	Draft diverter assembly											x	
9043-009	16	Draft diverter assembly												x
9043-039	60	Blower wheel 10-4	x											
9043-040	60	Blower wheel 10-6		x		x	x							
9043-041	60	Blower wheel 10-8			x			x		x	x			
9043-042	60	Blower wheel 10-10							x			x	x	x
9043-066	58	Motor 1/6 hp 1 speed 115V				x								
9043-067	58	Motor 1/5 hp 1 speed 115V								x				
9043-047	58	Motor 1/4 hp 3 speed 115V	x	x			x							
9043-048	58	Motor 1/3 hp 3 speed 115V			x			x			x			
9043-049	58	Motor 1/2 hp 2 speed 115V							x			x	x	x
8552-004	56	Capacitor 7.5-370V	x	x			x	x	x		x	x	x	x
9043-050	57	Motor Mounting Kit	x	x										
9043-051	57	Motor Mounting Kit			x	x	x	x	x	x	x	x	x	x
9043-046	61	Blower housing 10-4	x											
9043-043	61	Blower housing 10-6		x		x	x							
9043-044	61	Blower housing 10-8			x			x		x	x			
9043-045	61	Blower housing 10-10							x			x	x	x
9043-057	25	Heat exchanger 2 section	x	x										
9043-058	25	Heat exchanger 3 section				x	x							
9043-059	25	Heat exchanger 4 section								x	x			
9043-060	25	Heat exchanger 5 section											x	
9043-061	25	Heat exchanger 6 section												x
9043-068	25	Heat exchanger 3 section			x			x						
9043-069	25	Heat exchanger 4 section							x			x		
9043-053	30	Fan/Limit L4064T1830 5"	x	x	x	x	x	x	x	x	x	x	x	x
9043-054	48	Aux. limit Open 160 Close 130	x	x	x	x	x	x	x	x	x	x	x	x
9043-055	39	Door interlock switch	x	x	x	x	x	x	x	x	x	x	x	x
9043-052	36	Blower relay 184-20103-306	x	x	x	x	x	x	x	x	x	x	x	x
9043-056	38	Transformer 40VA	x	x	x	x	x	x	x	x	x	x	x	x

COMBINATION UNIT — MODELS "PGA SERIES"



COMBINATION UNIT — MODELS "PGA SERIES"

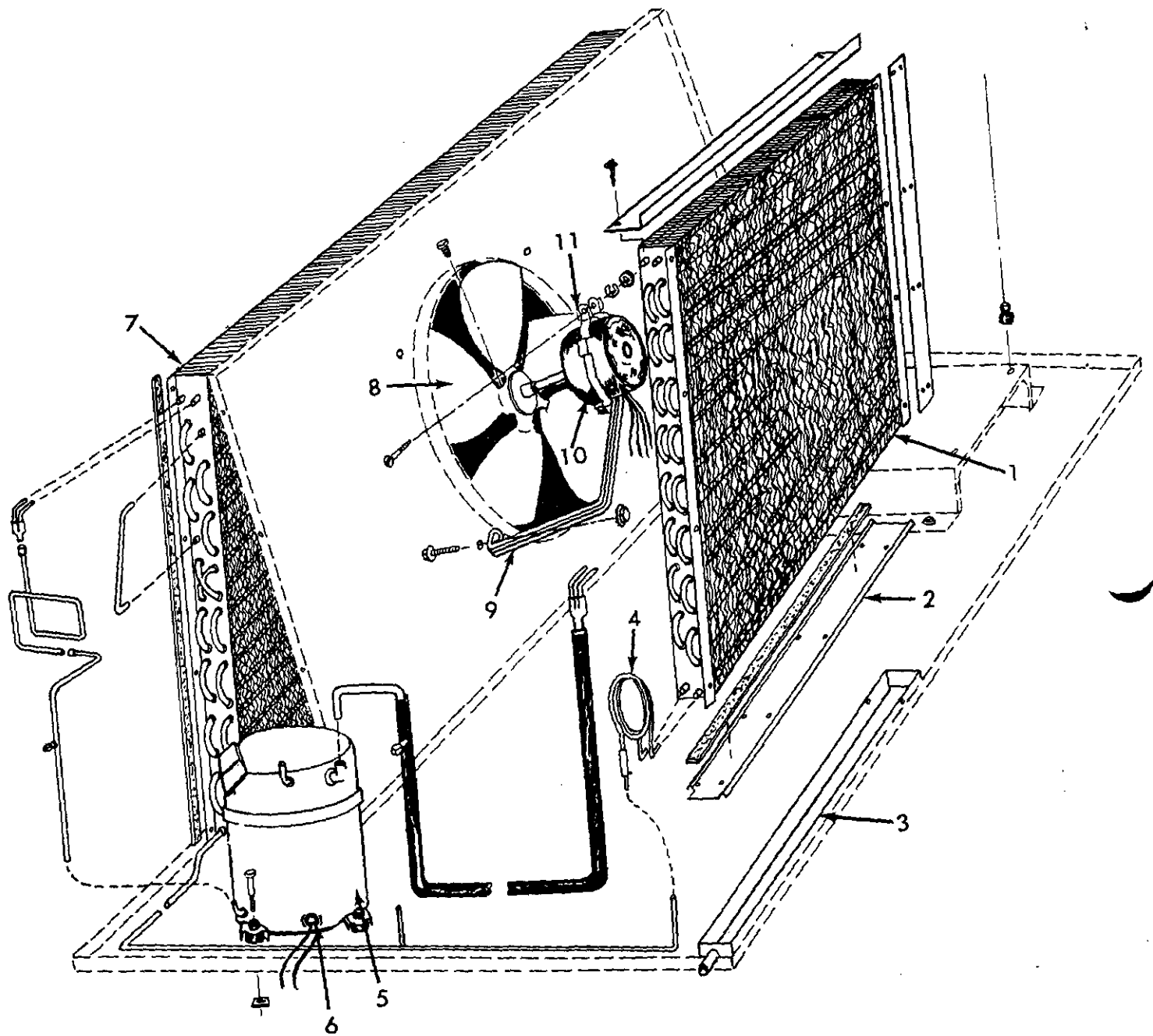
KEY NO.	PART NUMBERS FOR MODELS			DESCRIPTION
	PGA24A060 PGA24A090 PGA30A060 PGA30A090	PGA36A060 PGA36A090 PGA36B090 PGA42A090 PGA42A060	PGA36A120 PGA42A120	
1	9044-001	9044-001	9044-002	Door, Blower
2	9044-004	9044-004	9044-004	Post, Rear Corner
3	9044-006	9044-006	9044-007	Base
4	9044-010	9044-010	9044-010	Panel, Center
5	9044-012	9044-012	9044-012	Post, Front Corner
6	9044-014	9044-014	9044-014	Panel, Side
7	9044-015	9044-015	9044-016	Panel, Top
8	9044-019	9044-019	9044-019	Angle, Grille (End)
9	9044-020	9044-020	9044-020	Angle, Grille (Left)
10	9044-022	9044-022	9044-022	Grille, Outlet
11	9044-024	9044-024	9044-024	Angle, Grille (Right)
12	9044-026	9044-026	9044-026	Panel, Rear
	- - -	- - -	- - -	*Diagram, Wiring
	- - -	- - -	- - -	Sheet, Tech (SEE PAGE 28.)

- † Part Not Illustrated
- * Use Wiring Diagram No. 1000249 on Single Phase Units
- * Use Wiring Diagram No. 1000248 on Three Phase Units

KEY NO.	PART NUMBERS FOR MODELS			DESCRIPTION
	PGA48A080 PGA48A120 PGA48B080 PGA48B120	PGA60A080 PGA60A120 PGA60B080 PGA60B120	PGA48A145 PGA60A145 PGA60B145	
1	9044-002	9044-002	9044-003	Door, Blower
2	9044-005	9044-005	9044-005	Post, Rear Corner
3	9044-008	9044-008	9044-009	Base
4	9044-011	9044-011	9044-011	Panel, Center
5	9044-013	9044-013	9044-013	Post, Front Corner
6	9044-014	9044-014	9044-014	Panel, Side
7	9044-017	9044-017	9044-018	Panel, Top
8	9044-019	9044-019	9044-019	Angle, Grille (End)
9	9044-021	9044-021	9044-021	Angle, Grille (Left)
10	9044-023	9044-023	9044-023	Grille, Outlet
11	9044-025	9044-025	9044-025	Angle, Grille (Right)
12	9044-026	9044-026	9044-026	Panel, Rear
	- - -	- - -	- - -	*Diagram, Wiring
	- - -	- - -	- - -	Sheet, Tech (SEE PAGE 28)

- † Part Not Illustrated
- * Use Wiring Diagram No. 1000249 on Single Phase Units
- * Use Wiring Diagram No. 1000248 on Three Phase Units

COMBINATION UNIT — MODELS "PGA SERIES"



COMBINATION UNIT — MODELS "PGA SERIES"

KEY NO.	PART NUMBERS FOR MODELS				DESCRIPTION
	PGA24A060 PGA24A090	PGA30A060 PGA30A090	PGA36A060 PGA36A090 PGA36A120	PGA36B090	
1	9044-027	9044-028	9044-029	9044-030	Evaporator
2	9044-034	9044-034	9044-034	9044-035	Cover, Drain Pan
3	9044-037	9044-037	9044-037	9044-037	Pan, Drain
4	9044-039	9044-040	9044-041	9044-041	Tube, Capillary
5✓	9044-045	- - -	- - -	- - -	Compressor, 230/208V., 60Hz., 1Ph., Bristol #H21B223ABCA
5✓	- - -	8000-086	- - -	- - -	Compressor, 230/208V., 60Hz., 1Ph., Bristol #H21A293ABCA
5✓	- - -	- - -	9044-046	- - -	Compressor, 230/208V., 60Hz., 1Ph., Bristol #H21A313ABCA
5✓	- - -	- - -	- - -	9044-07	Compressor, 230/208V., 60Hz., 3Ph., Bristol #H21A313DBDA
6✓	9044-052	9044-052	9044-052	9044-052	Heater, Crankcase
7	9044-053	9044-054	9044-055	9044-055	Condenser
8	9044-058	9044-058	9044-059	9044-059	Blade, Fan
9	9044-062	9044-062	9044-062	9044-062	Leg, Motor Mount (4 Req.)
10✓	9044-063	9044-063	- - -	- - -	Motor, Condenser Fan, 1/5H.P., 230/208V., 60Hz., 1Ph.
10✓	- - -	- - -	9044-064	9044-064	Motor, Condenser Fan, 1/3H.P., 230/208V., 60Hz., 1Ph.
11	9044-067	9044-067	9044-067	9044-067	Band, Motor Mount

✓Suggested Distributor Stocking Parts List
(2% of Units Installed - Minimum 1 Each)

KEY NO.	PART NUMBERS FOR MODELS			DESCRIPTION
	PGA42A060 PGA42A090 PGA42A120	PGA48A080 PGA48A120 PGA48A145	PGA48B080 PGA48B120	
1	9044-031	9044-032	9044-032	Evaporator
2	9044-034	9044-036	9044-036	Cover, Drain Pan
3	9044-037	9044-038	9044-038	Pan, Drain
4	9044-042	9044-043	9044-043	Tube, Capillary
5✓	9044-048	- - -	- - -	Compressor, 230/208V., 60Hz., 1Ph., Bristol #H21A413ABCA
5✓	- - -	8000-073	- - -	Compressor, 230/208V., 60Hz., 1Ph., Copeland #CRL1-0350-PFV-270
5✓	- - -	- - -	9044-049	Compressor, 230/208V., 60Hz., 3Ph., Copeland #CRL1-0350-TF5-270
6	9044-052	8605-005	8605-005	Heater, Crankcase
7	9044-055	9044-056	9044-056	Condenser
8	9044-059	9044-059	9044-060	Blade, Fan
9	9044-062	9044-062	9044-062	Leg, Motor Mount (4 Req.)
10✓	9044-064	- - -	- - -	Motor, Condenser Fan, 1/3H.P., 230/208V., 60Hz., 1Ph.
10✓	- - -	9044-065	9044-065	Motor, Condenser Fan, 1/3 H.P., 230/208V., 60Hz., 1Ph.
11	9044-067	9044-067	9044-067	Band, Motor Mount

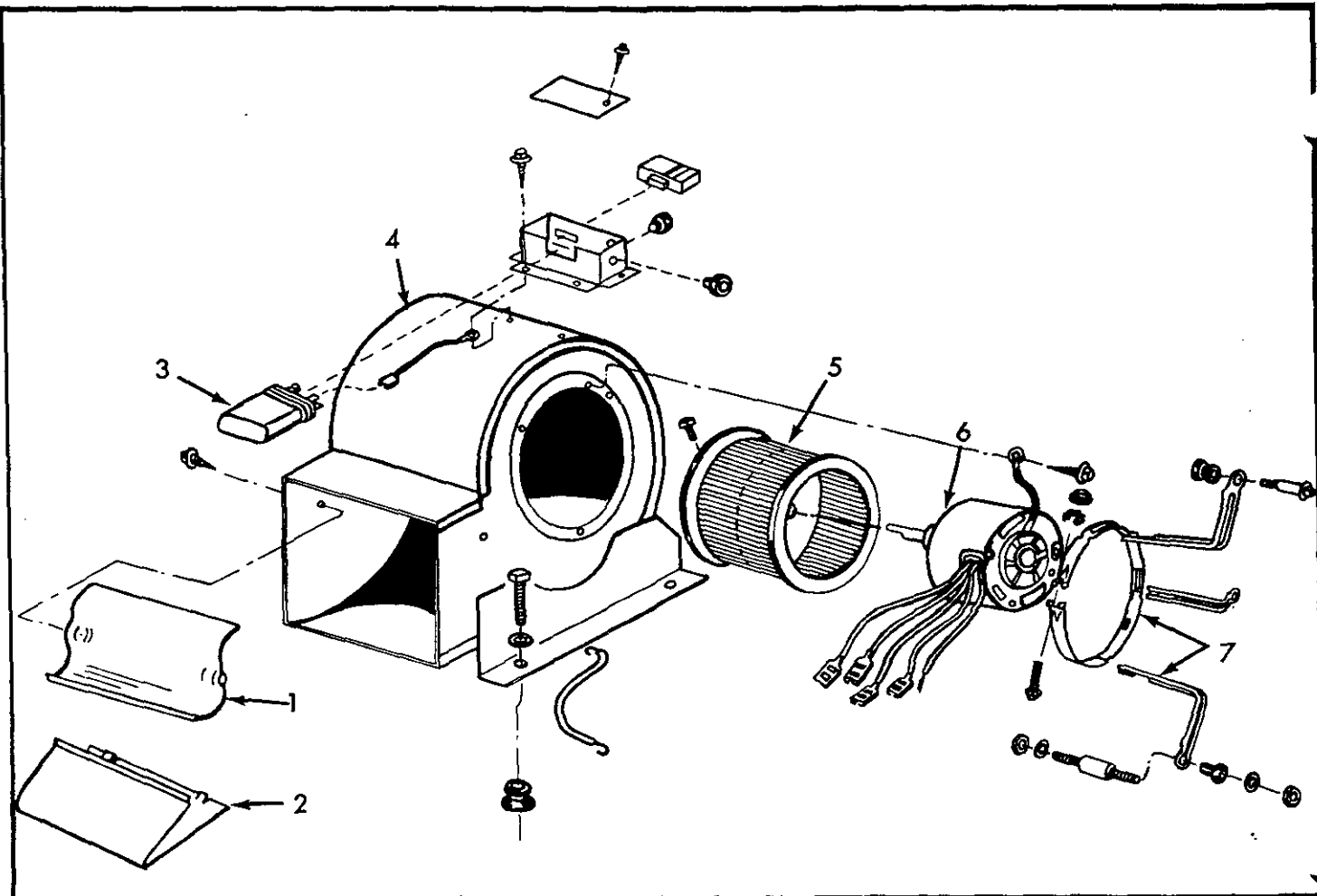
✓Suggested Distributor Stocking Parts Lists.
(2% of Units Installed - Minimum 1 Each)

COMBINATION UNIT — MODELS "PGA SERIES"

KEY NO.	PART NUMBERS FOR MODELS		DESCRIPTION
	PGA60A080 PGA60A120 PGA60A145	PGA60B080 PGA60B145	
1	9044-033	9044-033	Evaporator
2	9044-036	9044-036	Cover, Drain Pan
3	9044-038	9044-038	Pan, Drain
4	9044-044	9044-044	Tube, Capillary
5✓	9044-050	- - -	Compressor, 230/208V., 60Hz., 1Ph., Copeland #CRNI-0500-PFV-270
5✓	- - -	9044-051	Compressor, 230/208V., 60Hz., 3Ph., Copeland #CRNI-050D-TF5-270
6	8605-005	8605-005	Heater, Crankcase
7	9044-057	9044-057	Condenser
8	9044-061	9044-061	Blade, Fan
9	9044-062	9044-062	Leg, Motor Mount (4 Req.)
10	9044-066	9044-066	Motor, Condenser Fan, 1/2H.P., 230/208V., 60Hz., 1Ph.
11	9044-067	9044-067	Band, Motor Mount

✓Suggested Distributor Stocking Parts List.
(2% of Units Installed - Minimum 1 Each)

COMBINATION UNIT — MODELS "PGA SERIES"



COMBINATION UNIT — MODELS "PGA SERIES"

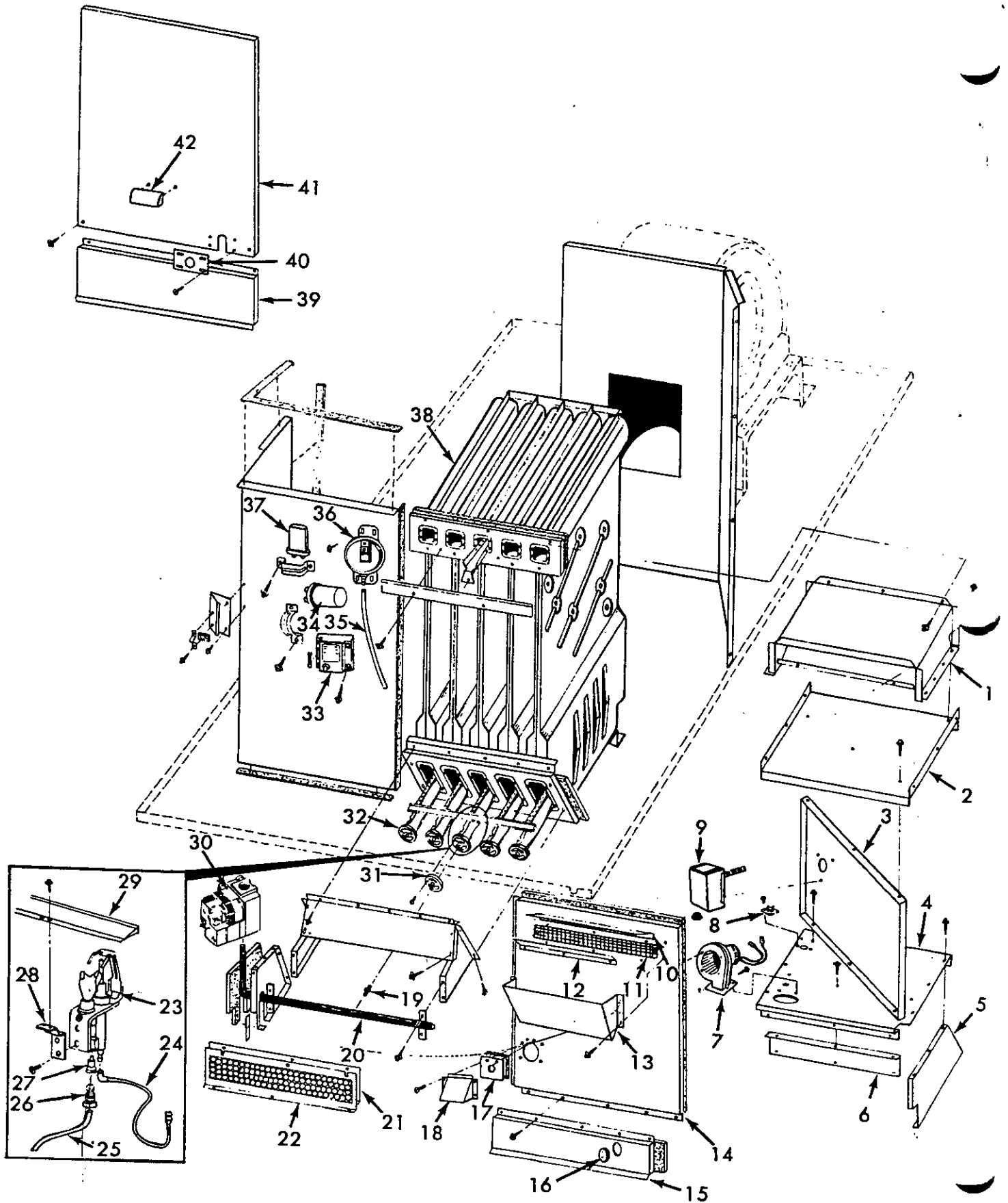
KEY NO.	PART NUMBERS FOR MODELS			DESCRIPTION
	PGA24A060 PGA24A090	PGA30A060 PGA30A090	PGA36A060 PGA36A090 PGA36B090 PGA36A120	
1	9044-152	9044-152	9044-153	Panel, Cut-off
2	9044-155	9044-155	9044-156	Diffuser, Air
3✓	8552-004	8552-004	8552-004	Capacitor, 7.5MFD., 370V., 60Hz., 1Ph.
4	9044-158	9044-158	9044-159	Housing, Blower
5	9044-161	9044-161	9044-162	Wheel, Blower
6✓	9044-164	9044-164	- - -	Motor, 1/3H.P., 208/230V., 60Hz., 1100RPM., 2-Speed
6✓	- - -	- - -	9044-165	Motor, 1/2H.P., 208/230V., 60Hz., 1Ph., (3.0AMP) 1100RPM., 3-Speed
7	9044-167	9044-167	- - -	Assembly, Motor Mount
7	- - -	- - -	9044-168	Assembly, Motor Mount

✓Suggested Distributor Stocking Parts List.
(2% of Units Installed - Minimum 1 Each)

KEY NO.	PART NUMBERS FOR MODELS			DESCRIPTION
	PGA42A060 PGA42A090 PGA42A120	PGA48A080 PGA48A120 PGA48B120 PGA48B080 PGA48A145	PGA60A080 PGA60A120 PGA60B080 PGA60A145 PGA60B145	
1	9044-153	9044-154	9044-154	Panel, Cut-off
2	9044-156	9044-157	9044-157	Diffuser, Air
3✓	8552-004	8552-004	8552-004	Capacitor, 7.5MFD., 370V., 60Hz., 1Ph.
4	9044-160	9044-160	9044-160	Housing, Blower
5	9044-162	9044-163	9044-163	Wheel, Blower
6✓	9044-165	- - -	- - -	Motor, 1/2H.P., 208/230V., 60Hz., 1Ph., (3.0AMP) 1100RPM., 3-Speed
6✓	- - -	9044-166	9044-166	Motor, 1/2H.P., 208/230V., 60Hz., 1Ph., 1120RPM., 2-Speed
7	9044-168	9044-168	9044-168	Assembly, Motor Mount

✓Suggested Distributor Stocking Parts List.
(2% of Units Installed - Minimum 1 Each)

COMBINATION UNIT — MODELS "PGA SERIES"



COMBINATION UNIT — MODELS "PGA SERIES"

KEY NO.	PART NUMBERS FOR MODELS			DESCRIPTION
	PGA24A060 PGA24A090 PGA30A060 PGA30A090	PGA36A060 PGA36A090 PGA36B090 PGA42A060 PGA42A090	PGA36A120 PGA42A120	
1	9044-068	9044-068	9044-069	Diverter, Draft
2	9044-070	9044-070	9044-071	Bottom Draft Diverter
3	9044-072	9044-072	9044-072	Side, Air Box
4	9044-073	9044-073	9044-074	Bottom, Air Box
5	9044-075	9044-075	9044-075	Panel, Diverter Compartment
6	9044-076	9044-076	9044-077	Bracket, Diffuser
7✓	9044-078	9044-078	9044-078	Blower, Combustion
8✓	9044-079	9044-079	9044-079	Limit, Auxiliary, SPST., 250° - 300°F
9✓	8402-045	8402-045	8402-045	Control, Fan and Limit
10	9044-080	9044-080	9044-081	Shield, Rain
11	9044-083	9044-083	9044-083	Screen, Flue
12	9044-086	9044-086	9044-087	Bottom, Flue Collector
13	9044-088	9044-088	9044-089	Cover, Flue
14	9044-090	9044-090	9044-091	Panel, Front
15	9044-093	9044-093	9044-094	Panel, Burner
16	9044-096	9044-096	9044-096	Glass, Sight
17	SEE TABLE - PAGE 25 AND 26			Plate, Orifice
18	9044-097	9044-097	9044-097	Shield, Rain
19	SEE TABLE - PAGE 25 AND 26			Orifice, Main Burner
20	9044-098	9044-098	9044-099	Manifold
21	9044-101	9044-101	9044-102	Diffuser, Back
22	9044-104	9044-104	9044-105	Diffuser, Front
23✓	9044-107	9044-107	9044-107	Burner, Pilot/Ignitor/Sensor (Nat. Gas) Honeywell #Q345A1008J (Includes Key No. 26 & 27)
23✓	9044-108	9044-108	9044-108	Burner, Pilot/Ignitor/Sensor (L.P. Gas) Honeywell #Q345A1016J (Includes Key No. 26 & 27)
24	9044-109	9044-109	9044-109	Wire, Spark
25	9044-110	9044-110	9044-110	Tube, Pilot
26	9044-111	9044-111	9044-111	Compression Nut and Sleeve
27✓	9044-112	9044-112	9044-112	Orifice, Pilot Burner (Nat. Gas) (Plain) BCR1B(.018)
27✓	9044-113	9044-113	9044-113	Orifice, Pilot Burner (L.P. Gas) (Red) BBR12(.012)
28	9044-114	9044-114	9044-114	Bracket, Pilot
29	9044-115	9044-115	9044-116	Crosslighter
30✓	9044-118	9044-118	9044-118	Valve, Gas (Nat. Gas) (1/2" X 1/2") Honeywell #VRB440A2001
30✓	9044-119	9044-119	9044-119	Valve, Gas (L.P. Gas) (1/2" X 1/2") Honeywell #VR8440A2050
31	9044-120	9044-120	9044-120	Shutter, Air (L.P. Gas)
32	SEE TABLE - PAGE 27			Burner
33	9044-121	9044-121	9044-121	Module, Ignition Control, Honeywell #S86F
34	SEE TABLE - PAGE 27			Capacitor, Compressor Run
35	9044-122	9044-122	9044-122	Tube, Silicone Rubber
36	9044-123	9044-123	9044-123	Switch, Air Pressure
37✓	8552-002	- - -	- - -	Capacitor, Fan, 5MFD., 370V., 60Hz., 1Ph.
37✓	- - -	8552-004	8552-004	Capacitor, Fan, 7.5MFD., 370V., 60Hz., 1Ph.
38	9044-124	9044-124	9044-125	Exchanger, Heat
39	9044-126	9044-126	9044-126	Panel, Bottom Compressor Access
40	9044-127	9044-127	9044-127	Plate, Inlet
41	9044-128	9044-128	9044-128	Panel, Top Compressor Access
42	9044-129	9044-129	9044-129	Handle, Door

✓Suggested Distributor Stocking Parts List.
(2% of Units Installed - Minimum 1 Each)

COMBINATION UNIT — MODELS "PGA SERIES"

KEY NO.	PART NUMBERS FOR MODELS			DESCRIPTION
	PGA48A080 PGA48A120 PGA48B080 PGA48B120	PGA48A145 PGA60A145 PGA60B145	PGA60A080 PGA60A120 PGA60B080	
1	9044-069	9044-069	9044-069	Diverter, Draft
2	9044-071	9044-071	9044-071	Bottom, Draft Diverter
3	9044-072	9044-072	9044-072	Side, Air Box
4	9044-074	9044-074	9044-074	Bottom, Air Box
5	9044-075	9044-075	9044-075	Panel, Diverter Compartment
6	9044-077	9044-077	9044-077	Bracket, Diffuser
7✓	9044-078	9044-078	9044-078	Blower, Combustion
8✓	9044-079	9044-079	9044-079	Limit, Auxiliary, SPST., 250° - 300°F.
9✓	8402-045	8402-045	8402-045	Control, Fan and Limit
10	9044-081	9044-082	9044-081	Shield, Rain
11	9044-084	9044-085	9044-084	Screen, Flue
12	9044-087	9044-087	9044-087	Bottom, Flue Collector
13	9044-089	9044-089	9044-089	Cover, Flue
14	9044-091	9044-092	9044-091	Panel, Front
15	9044-094	9044-095	9044-094	Panel, Burner
16	9044-096	9044-096	9044-096	Glass, Sight
17	SEE TABLE - PAGE 25 AND 26			Plate, Orifice
18	9044-097	9044-097	9044-097	Shield, Rain
19	SEE TABLE - PAGE 25 AND 26			Orifice, Main Burner
20	9044-099	9044-100	9044-099	Manifold
21	9044-102	9044-103	9044-102	Diffuser, Back
22	9044-105	9044-106	9044-105	Diffuser, Front
23✓	9044-107	9044-107	9044-107	Burner, Pilot/Ignitor/Sensor (Nat. Gas) Honeywell #Q345A1008J (Includes Key No. (26 and 27)
23✓	9044-108	9044-108	9044-108	Burner, Pilot/Ignitor/Sensor (L.P. Gas) Honeywell #Q345A1016J (Includes Key No. (26 and 27)
24	9044-109	9044-109	9044-109	Wire, Spark
25	9044-110	9044-110	9044-110	Tube, Pilot
26	9044-111	9044-111	9044-111	Compression Nut & Sleeve
27✓	9044-112	9044-112	9044-112	Orifice, Pilot Burner (Nat. Gas) (Plain) BCR18 (.018)
27✓	9044-113	9044-113	9044-113	Orifice, Pilot Burner (L.P. Gas) (Red) BBR12 (.012)
28	9044-114	9044-114	9044-114	Bracket, Pilot
29	9044-116	9044-117	9044-116	Crosslighter
30✓	9044-118	9044-118	9044-118	Valve, Gas (Nat.) (1/2 X 1/2) Honeywell #VR8440A2001
30✓	9044-119	9044-119	9044-119	Valve, Gas (L.P.) (1/2 X 1/2) Honeywell #VR8440A2050
31	9044-120	- - -	9044-120	Shutter, Air (L.P. Gas)
32	SEE TABLE - PAGE 27			Burner
33	9044-121	9044-121	9044-121	Module, Ignition Control, Honeywell #S86F-1067
34	SEE TABLE - PAGE 27			Capacitor, Compressor Run
35	9044-122	9044-122	9044-122	Tube, Silicone Rubber
36	9044-123	9044-123	9044-123	Switch, Air Pressure
37✓	8552-002	**8552-002	- - -	Capacitor, Fan, 5MFD., 370V., 60Hz., 1Ph.
37✓	- - -	***8552-004	8552-004	Capacitor, 7.5MFD., 370V., 60Hz., 1Ph.
38	9044-125	9044-125	9044-125	Exchanger, Heat
39	9044-126	9044-126	9044-126	Panel, Bottom Compressor Access
40	9044-127	9044-127	9044-127	Plate, Inlet
41	9044-128	9044-128	9044-128	Panel, Top Compressor Access
42	9044-129	9044-129	9044-129	Handle, Door

✓Suggested Distributor Stocking Parts Lists.
(2% of Units Installed - Minimum 1 Each)

**Use Fan Capacitor Part No. 8552-002 Model PGA48A145.

***Use Fan Capacitor Part No. 8552-004 Models PGA60A145 and PGA60B145.

COMBINATION UNIT — MODELS "PGA SERIES"

NOTE: SEE UNIT RATING PLATE FOR THE
FURNACE INPUT OF THE UNIT

FURNACE INPUT	PART NUMBERS FOR MODELS			DESCRIPTION
	PGA24A090 PGA30A090	PGA36A090 PGA36B090 PGA42A090	PGA36A120 PGA42A120 PGA48A120	
60,000	9044-130	9044-130	- - -	#Orifice, Main Burner (Nat. Gas) Drill Size No. 44 (3 Req.)
	9044-131	9044-131	- - -	#Orifice, Main Burner (L.P. Gas) Drill Size No. 55 (3 Req.)
	9044-141	9044-141	- - -	Plate, Air Orifice
80,000	9044-132	9044-132	- - -	#Orifice, Main Burner (Nat. Gas) Drill Size No. 40 (3 Req.)
	- - -	- - -	9044-130	#Orifice, Main Burner (Nat. Gas) Drill Size No. 44 (4 Req.)
	9044-133	9044-133	- - -	#Orifice, Main Burner (L.P. Gas) Drill Size No. 53 (3 Req.)
	- - -	- - -	9044-131	#Orifice, Main Burner (L.P. Gas) Drill Size No. 55 (3 Req.)
	9044-142	9044-142	9044-142	Plate, Air Orifice
90,000	9044-134	9044-134	- - -	#Orifice, Main Burner (Nat. Gas) Drill Size No. 37 (3 Req.)
	9044-135	9044-135	- - -	#Orifice, Main Burner (L.P. Gas) Drill Size No. 52 (3 Req.)
	9044-143	9044-143	- - -	Plate, Orifice
100,000	- - -	- - -	9044-136	#Orifice, Main Burner (Nat. Gas) Drill Size No. 41 (4 Req.)
	- - -	- - -	9044-133	#Orifice, Main Burner (L.P. Gas) Drill Size No. 53 (4 Req.)
	- - -	- - -	9044-144	Plate, Air Orifice
	- - -	- - -	9044-137	#Orifice, Main Burner (Nat. Gas) Drill Size No. 38 (4 Req.)
120,000	- - -	- - -	9044-135	#Orifice, Main Burner (L.P. Gas) Drill Size No. 52 (4 Req.)
	- - -	- - -	9044-145	Plate, Air Orifice

#Be sure Parts Being Ordered are For
Type of Gas Being Used.

COMBINATION UNIT — MODELS "PGA SERIES"

NOTE: SEE UNIT RATING PLATE FOR THE
FURNACE INPUT OF THE UNIT

FURNACE INPUT	PART NUMBERS FOR MODELS		DESCRIPTION
	PGA48B120 PGA60A120	PGA48A145 PGA60A145 PGA60B145	
80,000	9044-130	- - -	#Orifice, Main Burner (Nat. Gas) Drill Size No. 44 (4 Req.)
	- - -	9044-138	#Orifice, Main Burner (Nat. Gas) Drill Size No. 47 (5 Req.)
	9044-131	- - -	#Orifice, Main Burner (L.P. Gas) Drill Size No. 55 (4 Req.)
	- - -	9044-139	#Orifice, Main Burner (L.P. Gas) Drill Size No. 56 (5 Req.)
	9044-142	9044-142	Plate, Air Orifice
100,000	9044-136	- - -	#Orifice, Main Burner (Nat. Gas) Drill Size No. 41 (4 Req.)
	9044-133	- - -	#Orifice, Main Burner (L.P. Gas) Drill Size No. 53 (4 Req.)
	9044-144	- - -	Plate, Air Orifice
120,000	9044-137	- - -	#Orifice, Main Burner (Nat. Gas) Drill Size No. 38 (4 Req.)
	9044-135	- - -	#Orifice, Main Burner (L.P. Gas) Drill Size No. 52 (4 Req.)
	9044-145	- - -	Plate, Air Orifice
130,000	- - -	9044-136	#Orifice, Main Burner (Nat. Gas) Drill Size No. 41 (5 Req.)
	- - -	9044-133	#Orifice, Main Burner (L.P. Gas) Drill Size No. 53 (5 Req.)
	- - -	9044-143	Plate, Air Orifice
145,000	- - -	9044-137	#Orifice, Main Burner (Nat. Gas) Drill Size No. 38 (5 Req.)
	- - -	9044-140	#Orifice, Main Burner (L.P. Gas) Drill Size No. 1/16 (5 Req.)
	- - -	9044-146	Plate, Air Orifice

FURNACE INPUT	PART NUMBERS FOR MODELS			DESCRIPTION
	PGA24A060 PGA30A060	PGA36A060 PGA42A060	PGA48A080 PGA48B080 PGA60A080 PGA60B080	
60,000	9044-130	9044-130	- - -	#Orifice, Main Burner (Nat. Gas) Drill Size No. 44 (3 Req.)
	9044-131	9044-131	- - -	#Orifice, Main Burner (L.P. Gas) Drill Size No. 55 (3 Req.)
	9044-141	9044-141	- - -	Plate, Air Orifice
	9044-132	9044-132	- - -	#Orifice, Main Burner (Nat. Gas) Drill Size No. 40 (3 Req.)
80,000	- - -	- - -	9044-130	#Orifice, Main Burner (Nat. Gas) Drill Size No. 44 (4 Req.)
	9044-133	9044-133	- - -	#Orifice, Main Burner (L.P. Gas) Drill Size No. 53 (3 Req.)
	- - -	- - -	9044-131	#Orifice, Main Burner (L.P. Gas) Drill Size No. 55 (3 Req.)
	9044-142	9044-142	9044-142	Plate, Air Orifice
100,000	- - -	- - -	9044-136	#Orifice, Main Burner (Nat. Gas) Drill Size No. 41 (4 Req.)
	- - -	- - -	9044-133	#Orifice, Main Burner (L.P. Gas) Drill Size No. 53 (4 Req.)
	- - -	- - -	9044-144	Plate, Air Orifice

#Be Sure Parts Being Ordered are
For Type of Gas Being Used.

COMBINATION UNIT — MODELS "PGA SERIES" CAPACITOR — COMPRESSOR RUN

KEY NO.	PART NUMBERS FOR MODELS				DESCRIPTION
	PGA24A060 PGA24A090	PGA30A060 PGA30A090	PGA36A060 PGA36A090 PGA36A120	PGA42A060 PGA42A090 PGA42A120	
34✓	9044-148	- - -	- - -	- - -	Capcaitor, Compressor Run, 30MFD., 370V., 60Hz., 1Ph.
34✓	- - -	8552-032	- - -	- - -	Capacitor, Compressor Run, 35MFD., 370V., 60Hz., 1Ph.
34✓	- - -	- - -	8552-035	- - -	Capacitor, Compressor Run, 40MFD., 370V., 60Hz., 1Ph.
34✓	- - -	- - -	- - -	8552-030	Capacitor, Compressor Run, 40MFD., 440V., 60Hz., 1Ph.

KEY NO.	PART NUMBERS FOR MODELS		DESCRIPTION
	PGA48A080 PGA48A120 PGA48A145	PGA60A080 PGA60A120 PGA60A145	
34✓	8552-007	- - -	Capacitor, Compressor Run, 40MFD., 440V., 60Hz., 1Ph.
34✓	- - -	9044-149	Capacitor, Compressor Run, 55MFD., 440V., 60Hz., 1Ph.

✓Suggested Distributor Stocking Parts List.
(2% of Units Installed - Minimum 1 Each)

BURNERS

KEY NO.	PART NUMBERS FOR MODELS					DESCRIPTION
	PGA24A090 PGA30A090	PGA36090 PGA36B090 PGA42A090	PGA36A120 PGA42A120 PGA48A120	PGA48B120 PGA60A120 PGA60B120	PGA48A145 PGA50A145 PGA60B145	
50	9044-150	9044-150	- - -	- - -	- - -	Burner (3 Req.)
50	- - -	- - -	9044-150	9044-150	- - -	Burner (4 Req.)
50	- - -	- - -	- - -	- - -	9044-150	Burner (5 Req.)

FOR PARTS ILLUSTRATION
SEE PAGE

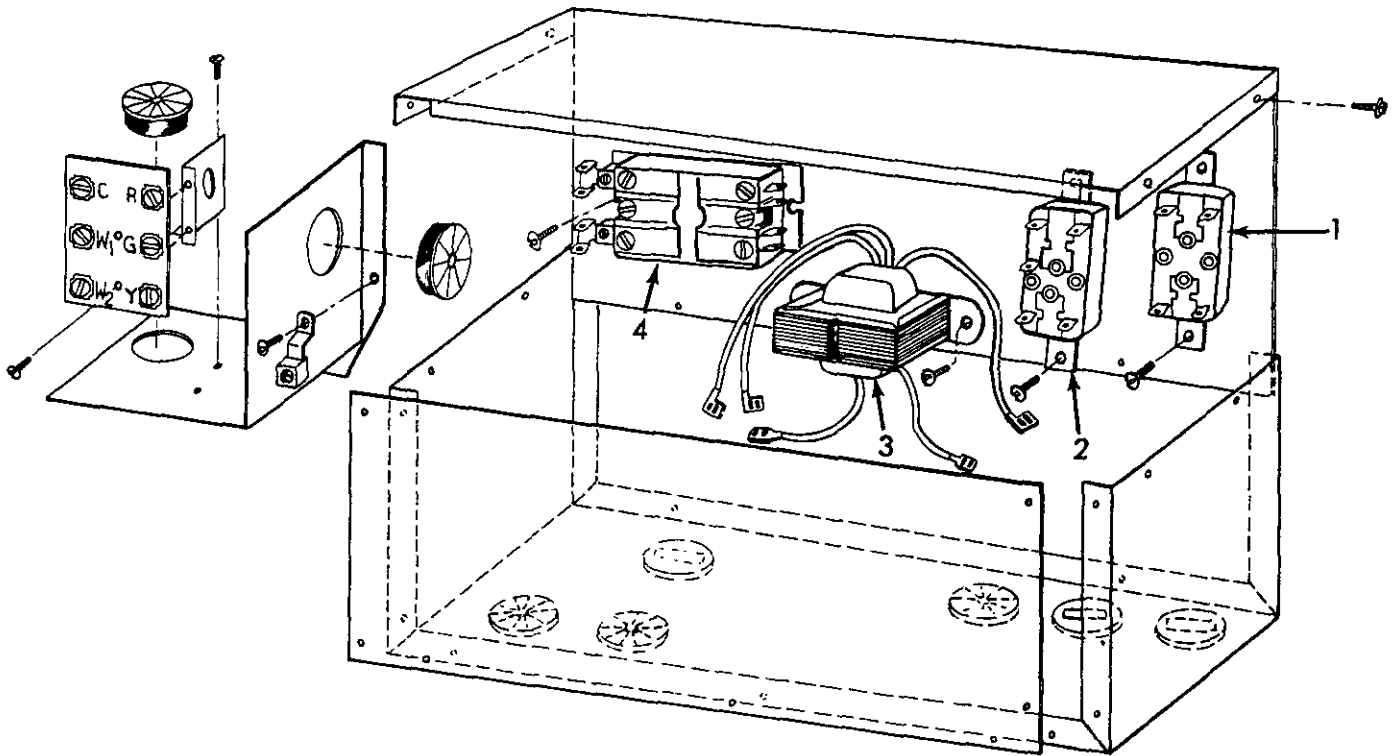
KEY NO.	PART NUMBERS FOR MODELS				DESCRIPTION
	PGA24A060 PGA30A060	PGA36A060 PGA42A060	PGA48A080 PGA48B080	PGA60A080 PGA60B080	
50	9044-151	9044-151	- - -	- - -	Burner (3 Req.)
50	- - -	- - -	9044-151	9044-151	Burner (4 Req.)

COMBINATION UNIT — MODELS "PGA SERIES" TECH SHEET

KEY NO.	PART NUMBERS FOR MODELS				DESCRIPTION
	PGA24A060 PGA24A090	PGA30A060 PGA30A090	PGA36A060 PGA36A090	PGA36B090	
X	1000368	1000369	1000370	1000371	Sheet, Tech
	PART NUMBERS FOR MODELS				
KEY NO.	PGA36A120	PGA42A060 PGA42A090	PGA42A120	PGA48A120 PGA48A080	DESCRIPTION
X	1000372	1000373	1000374	1000375	Sheet, Tech
	PART NUMBERS FOR MODELS				
KEY NO.	PGA48B120 PGA48B080	PGA48A145	PGA60A120 PGA60A080	PGA60B080	DESCRIPTION
X	1000376	1000377	1000378	1000379	Sheet, Tech
	PART NUMBERS FOR MODELS				
KEY NO.	PGA60A145	PGA60B145	DESCRIPTION		
X	1000380	1000381	Sheet, Tech		

XPart Not Illustrated.

COMBINATION UNIT — MODELS "PGA SERIES"



KEY NO.	PART NUMBERS FOR MODELS				DESCRIPTION
	PGA24A060 PGA24A090 PGA30A060 PGA30A090 PGA36A060 PGA36A090 PGA36A120	PGA42A060 PGA42A090 PGA42A120 PGA48A080 PGA48A120 PGA48A145	PGA60A080 PGA60A120 PGA60A145	PGA36B090 PGA48B120 PGA48B080 PGA60B080 PGA60B145	
1✓	8201-006	8201-006	8201-006	8201-006	Relay, SPST., 24V. Coil Heat
2✓	8201-009	8201-009	8201-009	8201-009	Relay, SPDT., 24V. Coil Fan, Essex #184-10103-306A
3✓	8407-034	8407-034	8407-034	8407-034	Transformer, 208/240V., 60Hz., Basler #BE-8733-KJJ106 or Jard #TB402424-B21A
4✓	8401-006	- - -	- - -	- - -	Contactor, 20AMP., 1Ph., Elmwood #30-B0-20
4✓	- - -	8401-010	- - -	- - -	Contactor, 30AMP., 1Ph., Elmwood #30-C0-20
4✓	- - -	- - -	8401-001	- - -	Contactor, 40AMP., 1Ph., Elmwood #30-F0-20 or RBM #154-4388081-52100ZA
4✓	- - -	- - -	- - -	8401-011	Contactor, 30AMP., 3Ph., Elmwood #30-E0-303 or RBM #154-312221-52000ZB

✓Suggested Distributor Stocking Parts List.
(2% of Units Installed - Minimum 1 Each)

PARTS LIST
OIL FURNACES

10/86

PART NO.	DESCRIPTION	F81	F97	NB120	C1	C2	F86CF	F100CF	F86H	F120H	F120L	
5153-012	Bearings 3/4"	x	x	x			x	x	x	x	x	
5153-013	Bearings 1"				x	x						
5601-007	Belt 42"	x										
5601-001	Belt 36"								x		x	
5601-003	Belt 38"			x								
5601-009	Belt 46"				x	x						
5601-005	Belt 40"		x				x	x				
5601-002	Belt 37"									x		
5153-018	Collar 3/4"	x	x	x			x	x	x	x	x	
5153-021	Collar 1"				x	x						
7090-005	Combustion Chamber	x	x				x	x	x			
7090-003	Combustion Chamber			x						x	x	
7090-006	Combustion Chamber				x	x						
5153-014	Cushion - Bearing	x	x	x			x	x	x	x	x	
5153-015	Cushion - Bearing				x	x						
8402-007	Fan and Limit 8"		x				x	x				
8402-001	Fan and Limit 11"	x			x	x					x	
8402-003	Fan and Limit L4064B								x			
8402-005	Fan and Limit L4064C			x						x		
7004-012	Filter 20x20	x		(2)						x		
7004-013	Filter 20x25		x									
7004-011	Filter 16x25				(2)				x		(2)	
7004-001	Filter 10x20						(2)					
7004-003	Filter 12x20							(2)				
7003-004	Filter 16x25 P					(2)						
7004-010	Filter 16x20									x		
1171-002	Handle - Door	x	x	x							x	
1171-003	Handle - Door	(2)	(3)	(2)	(4)	(4)	(2)	(2)	(2)		(2)	
* 171-113	Heat Exchanger	x					x		x			
* 171-114	Heat Exchanger		x									
* 171-120	Heat Exchanger			x								
* 171-121	Heat Exchanger				x							
* 171-122	Heat Exchanger					x						
* 171-119	Heat Exchanger							x				
* 171-117	Heat Exchanger									x		
* 171-112	Heat Exchanger										x	
* Housing - Blower 10-10		x	x				x	x	x			
* Housing - Blower 12-10				x						x	x	
* Housing - Blower 140-14					x	x						

*Please order by model number.

PARTS LIST
OIL FURNACES

3/87

PART NO.	DESCRIPTION	F81	F97	NB120	C1	C2	F86CF	F100CF	F86H	F120H	F120L
8102-001	Motor 1/6 hp	x									
8104-002	Motor 1/4 hp		x				x	x	x		
8104-001	Motor 1/4 hp			x							
8105-001	Motor 1/3 hp				x	x					
8105-002	Motor 1/3 hp									x	x
8106-001	Motor 1/2 hp									x	
8200-014	Motor Adj. Kit	x	x	x	x	x	x	x	x	x	x
9011-001	Nozzle (.75 80° A)	x					x		x		
9011-002	Nozzle (.85 80° A)		x					x			
9011-004	Nozzle (1.10 80° A)			x						x	x
9011-006	Nozzle (1.25 80° A)				x						
9011-009	Nozzle (1.65 80° A)					x					
5501-013	Pulley-Blower 7 x 3/4	x		x							
5501-012	Pulley-Blower 6 x 3/4		x				x	x	x	x	x
5501-014	Pulley-Blower 8 x 1				x	x					
5501-015	Pulley-Motor 3-1/4 x 1/2	x	x	x	x	x	x	x	x	x	x
8400-001	Relay	x	x	x	x	x	x	x	x	x	x
8400-002	Sensor Cell	x	x	x	x	x	x	x	x	x	x
1912-001	Shaft-Blower 15-3/4 x 3/4	x	x	x			x	x	x	x	x
1912-006	Shaft-Blower 20x1				x	x					
8402-024	Upper Limit L180-4						x	x			
5153-002	Washer - Neoprene	x	x	x			x	x	x	x	x
5153-003	Washer - Neoprene				x	x					
5152-006	Wheel - Blower 10-10	x	x				x	x	x		
5152-022	Wheel - Blower 11-10			x						x	x
5152-025	Wheel - Blower 15-12 BD				x	x					
9020-010	MSR 6" Oil Burner		x					x			
9020-009	MSR 8" Oil Burner	x					x		x		
9020-012	MSR 6" Oil Burner			x	x						
9020-011	MSR 8" Oil Burner									x	x
9020-013	MSR 6" Oil Burner					x					
1921-010	Front Plate Gasket	x	x				x	x	x		
1921-012	Front Plate Gasket									x	x
1921-014	Front Plate Gasket			x							
1921-015	Front Plate Gasket				x						
1921-016	Front Plate Gasket					x					
1921-008	2" Dia. Clean-out Gasket	4	4	4	4	4	4	4	2	4	4
8620-007	Clean-Out Plug Kit	4	4	4	4	4	4	4	2	4	4
4047-110	Wiring Diagram		x								

Note: For oil burner parts, see oil burner parts list.
Minimum net billing \$15.00. Supersedes all previous lists.
Subject to change without notice.

PARTS LIST
HORIZONTAL SERIES
OIL FURNACES

Effective 1/1/80
Supersedes 1/1/79

PART NO.	DESCRIPTION	S0175	S0230	S0350
HE175S	Heat Exchanger Steel Body	x		
HE203S	Heat Exchanger Steel Body		x	
HE350S	Heat Exchanger Steel Body			x
AGOF	Door Frame Gasket 1/8 x 1-1/4	x	x	x
216061	Lower Oil Burning Mounting Door	x	x	x
216062	Upper Oil Burner Mounting Door	x	x	x
Bl212	Blower Assembly w/Wheel	x		
Bl215	Blower Assembly w/Wheel		x	
Bl218	Blower Assembly w/Wheel			x
Bl212MB	Blower Motor Mount Bar	x		
Bl215MB	Blower Motor Mount Bar		x	
Bl218MB	Blower Motor Mount Bar			x
BHB	Blower Motor Adj. Hardware	x	x	x
L4064	Fan & Limit Control	x	x	x
T87F	Room Thermostat	x	x	x
BM 1/3hp	Blower Motor	x		
BM 1/2hp	Blower Motor		x	
BM 3/4hp	Blower Motor			x
20x25x1	Air Filter	x		
16x25x1	Air Filter		x	
16x16x1	Air Filter			x
DH01	Door Handles w/Keepers	x	x	x
FC8	Finish Collar	x	x	
FC9	Finish Collar			x
BDO6	Blower Door (Less Handles)	x		
BDO7	Blower Door (Less Handles)		x	
BDO8	Blower Door (Less Handles)			x
F104	Fire Brick	x		
F150	Fire Brick		x	
F350	Fire Brick			x
VER2	Vermiculite	x		
VER3	Vermiculite		x	
VER4	Vermiculite			x
HTC	Hi Temp Cement	x	x	x
BDP175S	Blower Division Panel	x		
BDP230S	Blower Division Panel		x	
BDP350S	Blower Division Panel			x
CB175S	Cabinet Base	x		
CB230S	Cabinet Base		x	
CB350S	Cabinet Base			x
BP7	Blower Drive Pulley	x	x	
BP8	Blower Drive Pulley			x
MPO1	Motor Drive Pulley	x	x	
MPO2	Motor Drive Pulley			x

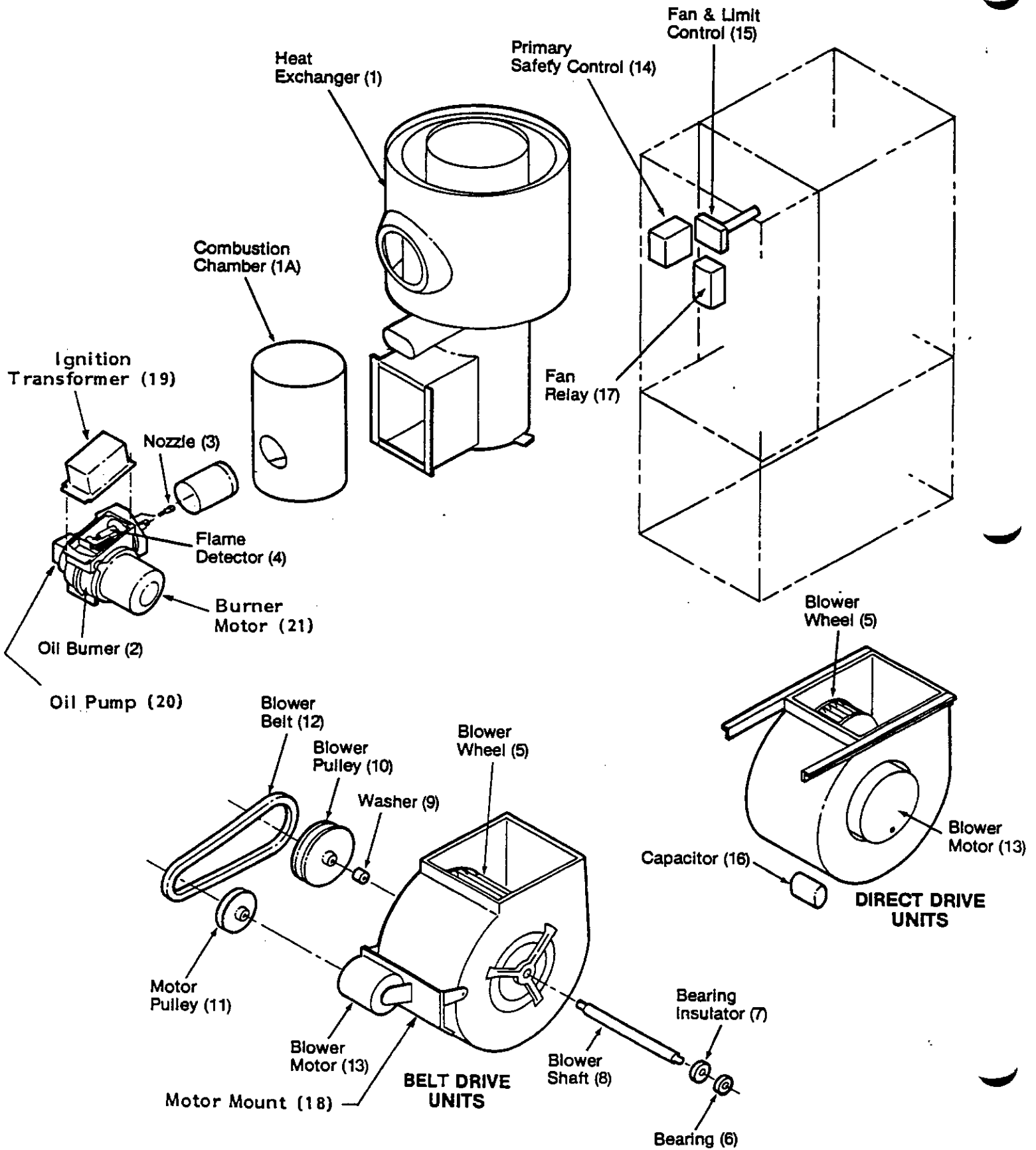
PARTS LIST
HORIZONTAL SERIES
OIL FURNACES

Effective 1/1/80
Supersedes 1/1/79

PART NO.	DESCRIPTION	S0175	S0230	S0350
WHO2	Wiring Harness (Complete)	x	x	x
FB	Fan Belt	x	x	x
CTS175	Cabinet Top	x		
CTS230	Cabinet Top		x	
CTS350	Cabinet Top			x
FP175S	Front Panel	x		
FP230S	Front Panel		x	
FP350S	Front Panel			x
BD06	Blower Door	x		
BD07	Blower Door		x	
BD08	Blower Door			x
RSP175S	Right Side Panel	x		
RSP230S	Right Side Panel		x	
RSP350S	Right Side Panel			x
LSP175S	Left Side Panel	x		
LSP230S	Left Side Panel		x	
LSP350S	Left Side Panel			x
IDP175S	Inner Division Panel	x		
IDP230S	Inner Division Panel		x	
IDP350S	Inner Division Panel			x
RP175S	Rear Panel	x		
RP230S	Rear Panel		x	
RP350S	Rear Panel			x
SR01	Support Rails	x	x	x
PA02	W.A. Plenum Adapter	x		
PA03	W.A. Plenum Adapter		x	
PA04	W.A. Plenum Adapter			x

Minimum Net Billing \$15.00. Supersedes all previous lists.
Subject to change without notice.

OH SERIES OIL HI-BOY



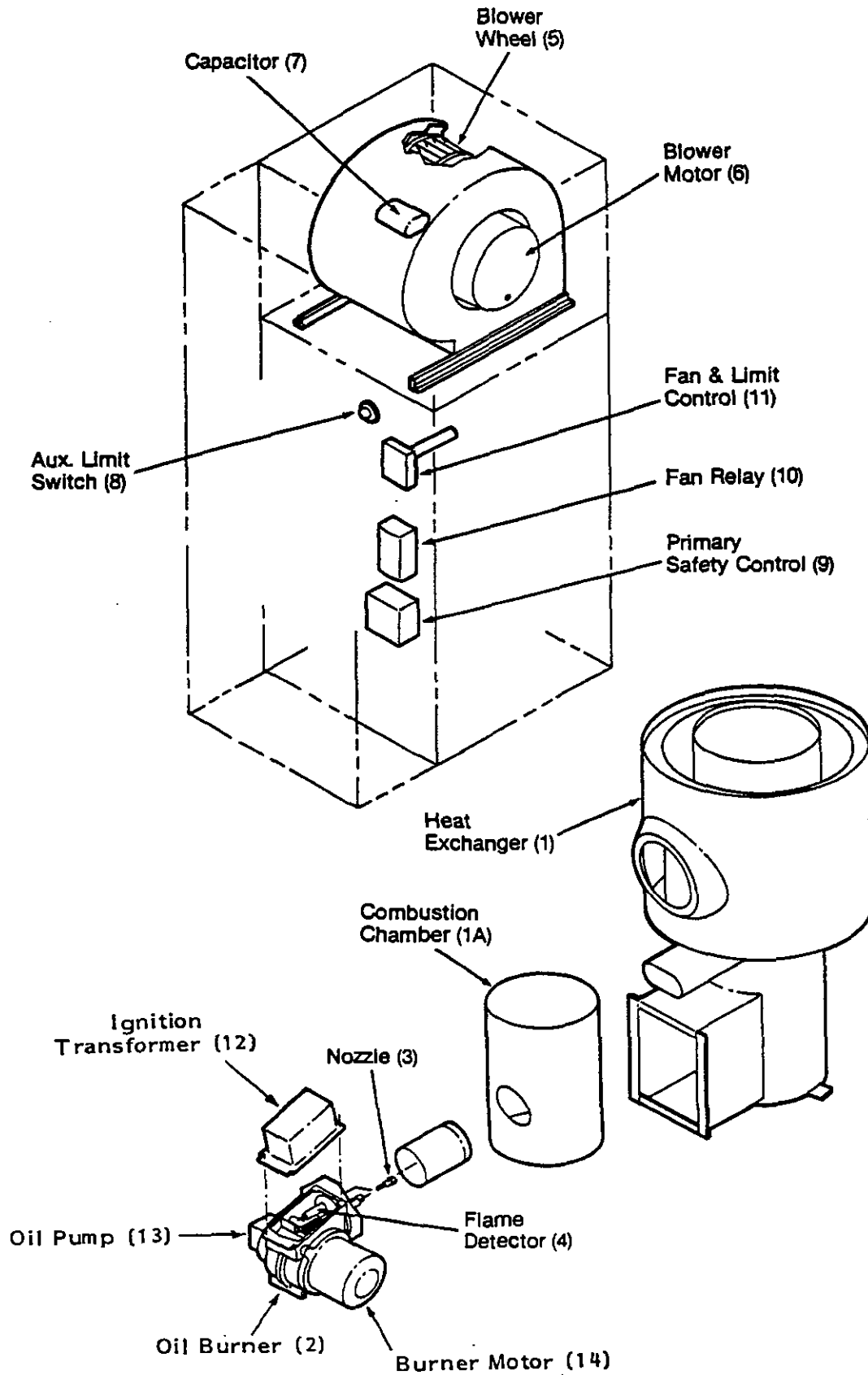
PARTS LIST
OH SERIES HI-BOY OIL FURNACES

Part No.	Illustration No.	Description	OH95D36A	OH125B48A
9045-009	1	Heat Exchanger Assembly	x	
9045-010	1	Heat Exchanger Assembly		x
9045-013	1A	Combustion Chamber	x	
9045-008	1A	Combustion Chamber		x
9045-018	2	Oil Burner 1-Stage	x	x
9045-021	3	Nozzle .85 GPH 80° Solid	x	
9045-022	3	Nozzle 1.10 GPH 80° Solid		x
9045-038	4	Flame Detector	x	x
5152-013	5	Blower Wheel 10-8 D.D.	x	
5152-006	5	Blower Wheel 10-10 B.D.		x
9045-025	6	Bearing 3/4 inch		2
9045-026	7	Insulator - Bearing		2
9045-028	8	Blower Shaft 15-5/8		x
9045-031	9	Washer - Plastic		2
5501-012	10	Blower Pulley 6 x 3/4		x
5501-003	11	Motor Pulley 4 x 1/2		x
5601-004	12	Belt 39"		x
8106-001	13	Motor 1/2 hp 1725 RPM 1/2"		(1)
9045-001	13	Motor 1/3 hp D.D. 1075 RPM 2 speed	x	
8400-001	14	Primary Safety Control	x	x
8402-007	15	Fan/Limit Control 8"	x	x
8552-001	16	Capacitor 4MFD 370V	x	
8201-006	17	40VA Transformer & Relay	x	x
9045-032	18	Motor Mount		x
8200-033	NS	D.D. Motor Mount - Band	x	
9045-039	NS	D.D. Motor Mount - Arms	3	
9045-037	19	Ignition Transformer	x	x
9021-003	20	Oil Pump 1-stage	x	x
8101-003	21	Burner Motor 1/8 hp 3450 RPM	x	x

(1) Must also use 5501-003 4 x 1/2 pulley.

NS - Not Shown

OC SERIES OIL COUNTERFLOW



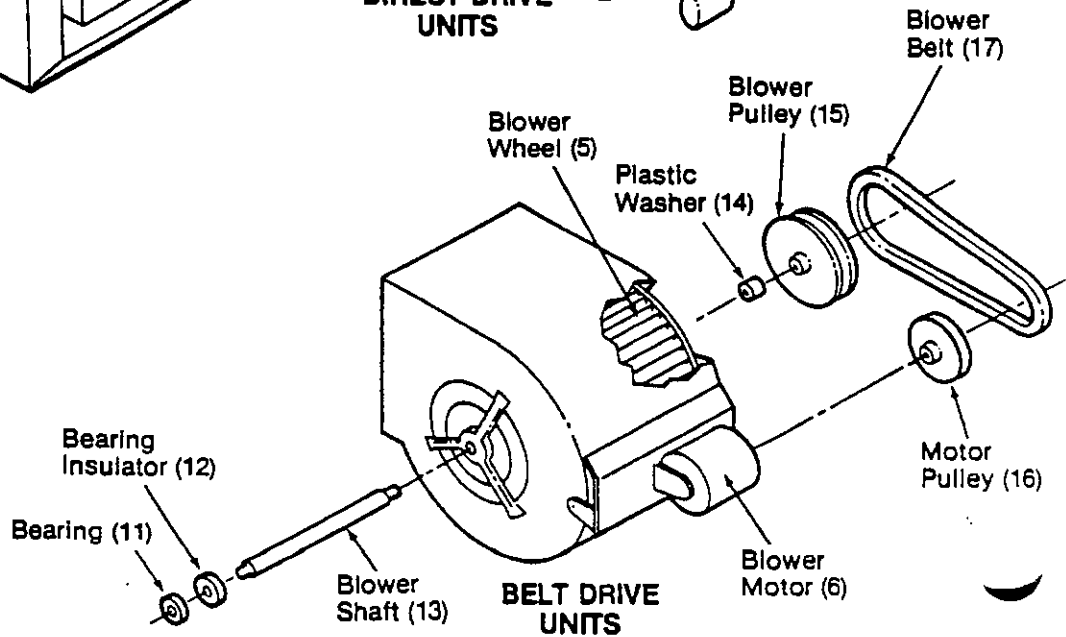
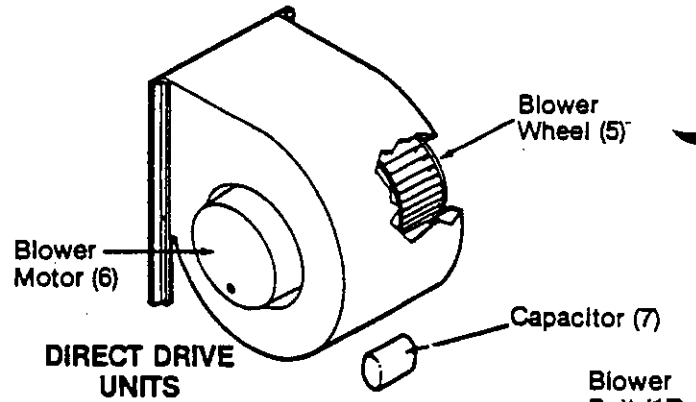
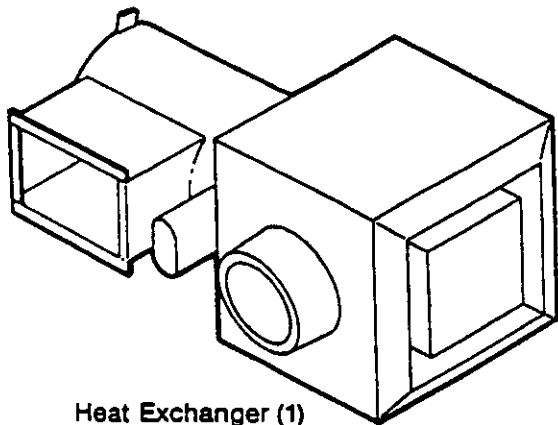
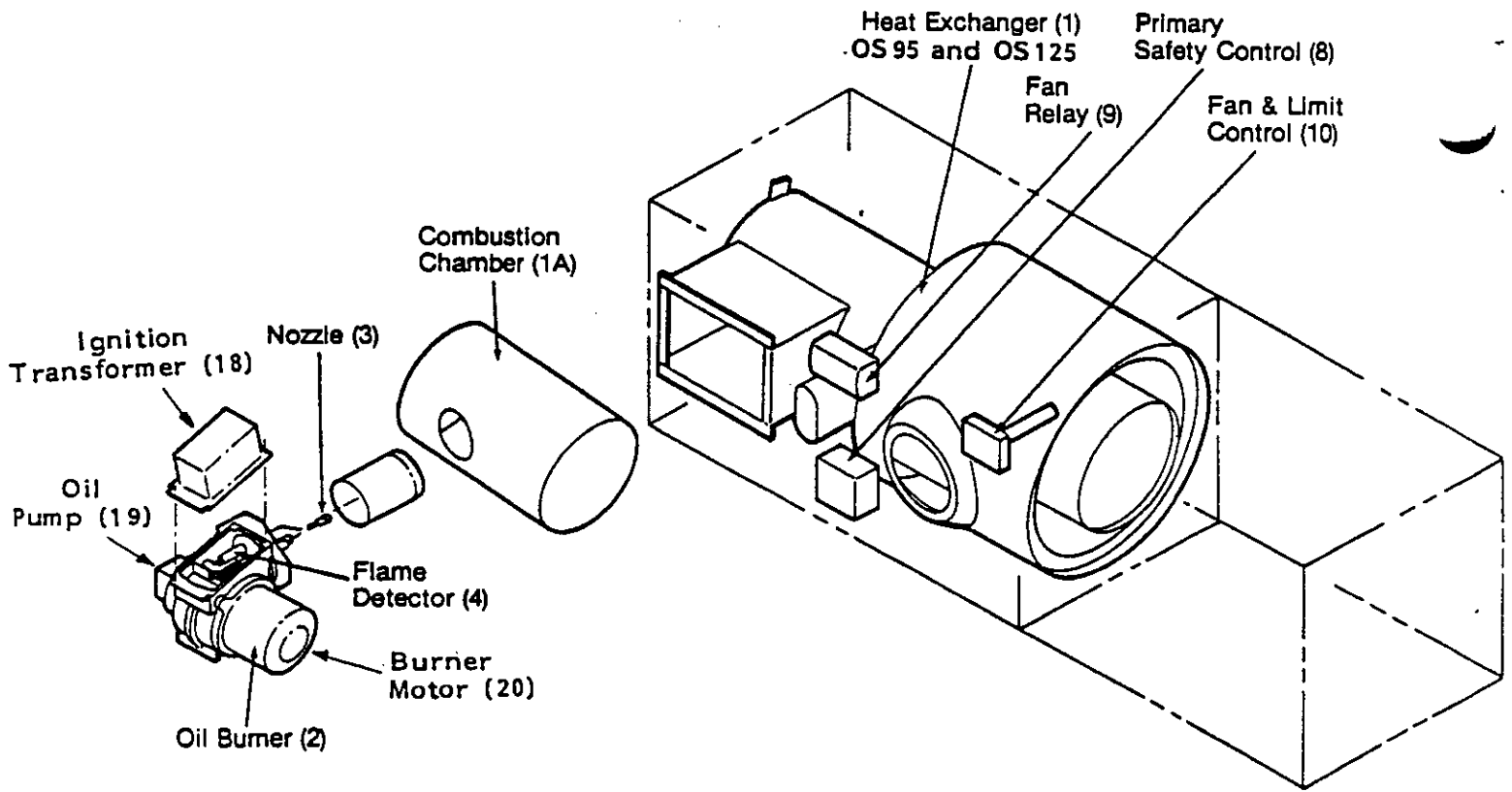
PARTS LIST
OC SERIES COUNTERFLOW OIL FURNACES

4/87

Part No.	Illustration No.	Description	OC95D36A	OC125D48A
9045-009	1	Heat Exchanger Assembly	x	
9045-010	1	Heat Exchanger Assembly		x
9045-013	1A	Combustion Chamber	x	
9045-008	1A	Combustion Chamber		x
9045-018	2	Oil Burner 1-Stage	x	x
9045-021	3	Nozzle .85 GPH 80° Solid	x	
9045-022	3	Nozzle 1.10 GPH 80° Solid		x
9045-038	4	Flame Detector	x	x
5152-013	5	Blower Wheel 10-8 D.D.	x	
5152-014	5	Blower Wheel 10-9 D.D.		x
9045-001	6	Motor 1/3 hp D.D. 1075 RPM 2-speed	x	
9045-002	6	Motor 1/2 hp D.D. 1050 RPM 3-speed		x
8552-001	7	Capacitor 4MFD 370V	x	
8552-002	7	Capacitor 5MFD 370V		x
8402-015	8	Aux. Limit Switch	x	x
8400-001	9	Primary Safety Control	x	x
8201-006	10	40VA Transformer & Relay	x	x
8402-007	11	Fan/Limit Control 8"	x	x
9045-037	12	Ignition Transformer	x	x
9045-003	13	Oil Pump	x	x
8101-003	14	Burner Motor 1/8 hp 3450 RPM	x	x
8200-033	NS	D.D. Motor Mount - Band	x	x
9045-039	NS	D.D. Motor Mount - Arms	3	3

NS - Not Shown

OS SERIES OIL HORIZONTAL



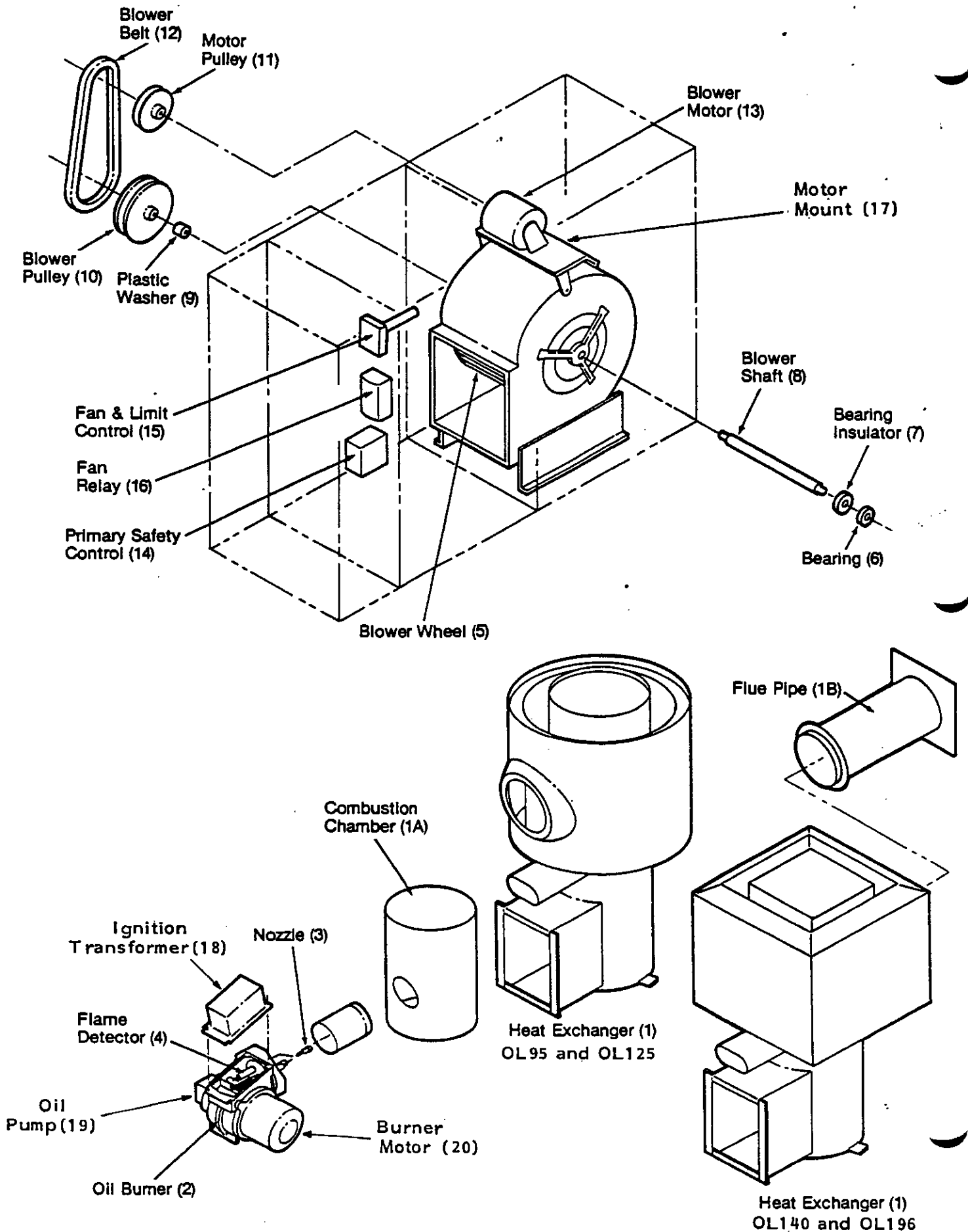
PARTS LIST
OS SERIES HORIZONTAL OIL FURNACES

4/87

Part No.	Illustration No.	Description	OS 95D36A	OS 125D48A	OS 140B48A	OS 196B60A
9045-009	1	Heat Exchanger Assembly	x			
9045-010	1	Heat Exchanger Assembly		x		
9045-042	1	Heat Exchanger Assembly			x	
9045-043	1	Heat Exchanger Assembly				x
9045-044	NS	Cover Radiator Cleanout			x	x
9045-016	NS	Gasket Cover Cleanout			x	x
9045-013	1A	Combustion Chamber	x			
9045-008	1A	Combustion Chamber		x		
9045-045	1A	Combustion Chamber			x	
9045-046	1A	Combustion Chamber				x
9045-018	2	Oil Burner 1-Stage	x	x		
9045-047	2	Oil Burner 1-Stage			x	
9045-048	2	Oil Burner 1-Stage				x
9045-021	3	Nozzle .85 GPH 80° Solid	x			
9045-022	3	Nozzle 1.10 GPH 80° Solid		x		
9045-023	3	Nozzle 1.25 GPH 70° Solid			x	
9045-024	3	Nozzle 1.75 GPH 70° Solid				x
9045-038	4	Flame Detector	x	x	x	x
5152-013	5	Blower Wheel 10-8 D.D.	x			
5152-014	5	Blower Wheel 10-9 D.D.		x		
5152-006	5	Blower Wheel 10-10 B.D.			x	
5152-005	5	Blower Wheel 12-12 B.D.				x
9045-001	6	Motor 1/3 hp D.D. 1075 2-speed	x			
9045-002	6	Motor 1/2 hp D.D. 1050 3-speed		x		
8107-001	6	Motor 3/4 hp B.D. 1725 RPM 5/8"			x	x
8552-001	7	Capacitor 4 MFD 370V	x			
8552-002	7	Capacitor 5 MFD 370V		x		
8400-001	8	Primary Safety Control	x	x	x	x
8201-006	9	40VA Transformer & Relay	x	x	x	x
8402-001	10	Fan/Limit Control 11"	x	x	x	x
9045-025	11	Bearing 3/4"			2	2
9045-026	12	Insulator - Bearing			2	2
	13	Blower Shaft 15-5/8"			1	
	13	Blower Shaft 18"				1
9045-031	14	Washer - Plastic			2	2
5501-017	15	Blower Pulley 5 x 3/4			x	x
5501-003	16	Motor Pulley 4 x 1/2			x	
9045-036	16	Motor Pulley 3-1/4 x 5/8				x
5601-005	17	Belt 40"			x	
5601-007	17	Belt 42"				x
8200-033	NS	D.D. Motor Mount - Band	x	x		
9045-039	NS	D.D. Motor Mount - Arms	3	3		
9045-037	18	Ignition Transformer	x	x	x	x
9021-003	19	Oil Pump 1-stage	x	x	x	x
8101-003	20	Burner Motor 1/8 hp 3450 RPM	x	x	x	x

NS - Not Shown

OL SERIES OIL LO-BOY



PARTS LIST
OL SERIES LO-BOY OIL FURNACES

4/87

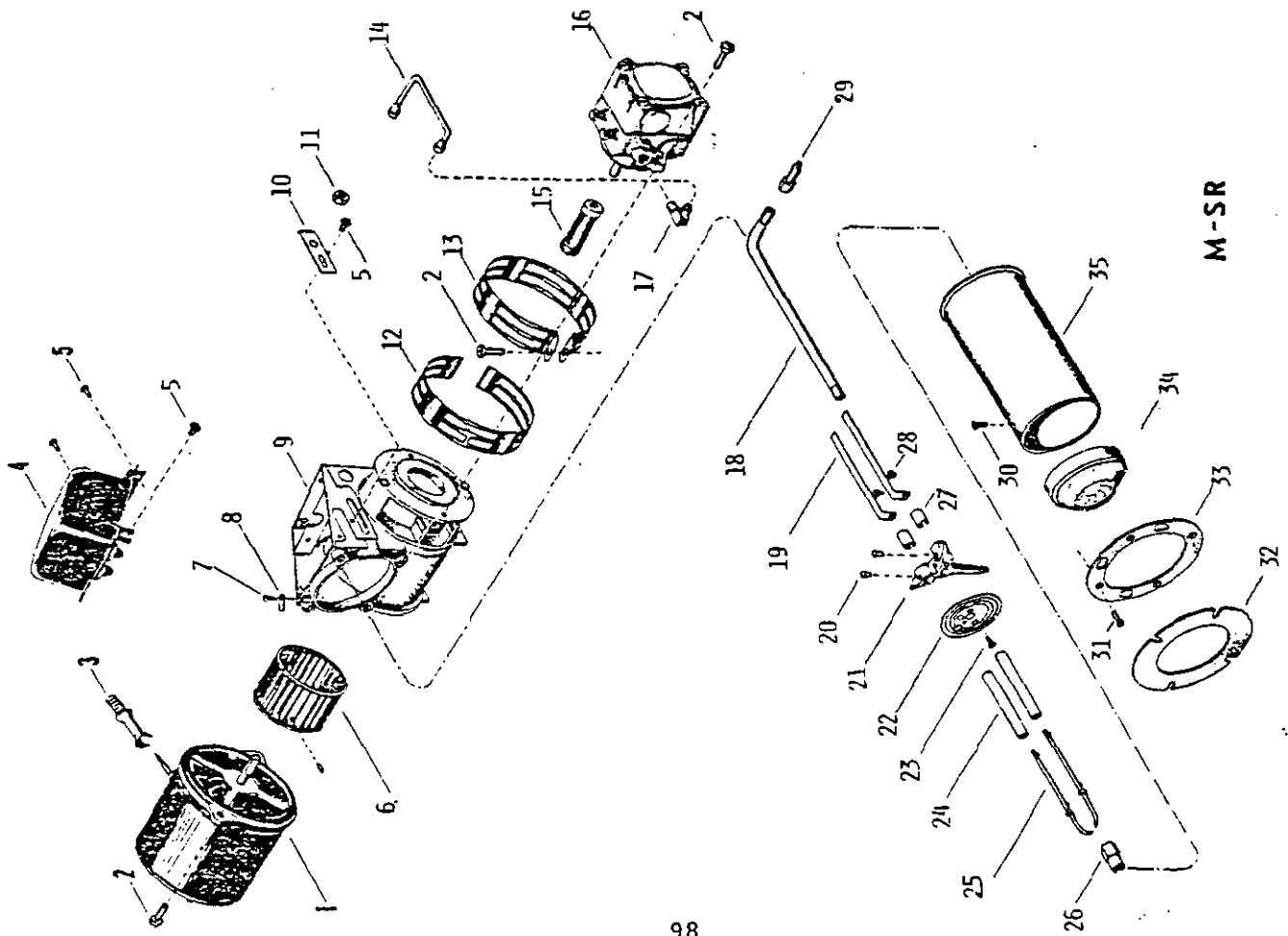
Part No.		Description	OL95B36A	OL125B48A	OL140B48A	OL196B60A
9045-009	1	Heat Exchanger Assembly	x			
9045-010	1	Heat Exchanger Assembly		x		
9045-011	1	Heat Exchanger Assembly			x	
9045-012	1	Heat Exchanger Assembly				x
9045-008	1A	Combustion Chamber		x		
9045-013	1A	Combustion Chamber	x			
9045-014	1A	Combustion Chamber			x	x
9045-015	1B	Assembly Cleanout Cover			x	x
9045-016	1B	Gasket Cleanout			x	x
9045-017	1B	Flue Pipe Weldment			x	
9045-018	2	Oil Burner 1-Stage	x	x		
9045-019	2	Oil Burner 1-Stage			x	
9045-020	2	Oil Burner 1-Stage				x
9045-020	3	Nozzle .85 GPH 80° Solid	x			
9045-022	3	Nozzle 1.10 GPH 80° Solid		x		
9045-023	3	Nozzle 1.25 GPH 70° Solid			x	
9045-024	3	Nozzle 1.75 GPH 70° Solid				x
9045-038	4	Flame Detector	x	x	x	x
9045-003	5	Blower Wheel 10-8 B.D.	x			
5152-006	5	Blower Wheel 10-10 B.D.		x		
9045-004	5	Blower Wheel 12-9 B.D.			x	
9045-005	5	Blower Wheel 12-12 B.D.				x
9045-025	6	Bearing 3/4 inch	2	2	2	2
9045-026	7	Insulator - Bearing	2	2	2	2
9045-027	8	Blower Shaft - 13"	x			
9045-028	8	Blower Shaft - 15-5/8"		x		
9045-029	8	Blower Shaft - 14-3/8"			x	
9045-030	8	Blower Shaft - 18"				x
9045-031	9	Washer - Plastic	2	2	2	2
5501-012	10	Blower Pulley 6 x 3/4	x	x	x	x
5501-003	11	Motor Pulley 4 x 1/2	x	x		
5501-015	11	Motor Pulley 3-1/4 x 1/2			x	
9045-036	11	Motor Pulley 3-1/4 x 5/8				x
5601-004	12	Belt 39"	x			
5601-005	12	Belt 40"		x		
5601-006	12	Belt 41"			x	x
8105-001	13	Motor 1/3 hp 1725 RPM 1/2"	x			
8106-001	13	Motor 1/2 hp 1725 RPM 1/2"		(1)	(1)	
8107-001	13	Motor 3/4 hp 1725 RPM 5/8"				x
8400-001	14	Primary Safety Control	x	x	x	x
8402-007	15	Fan/Limit Control 8"	x	x		x
8402-001	15	Fan/Limit Control 11"			x	
8201-006	16	40VA Transformer & Relay	x	x	x	x
9045-032	17	Motor Mount	x			
9045-033	17	Motor Mount		x		
9045-034	17	Motor Mount			x	
9045-035	17	Motor Mount				x
9045-037	18	Ignition Transformer	x	x	x	x
9021-003	19	Oil Pump 1-Stage 3450 RPM	x	x	x	x
8101-003	20	Burner Motor 1/8 hp 3450 RPM	x	x	x	x

(1) Must also use 5501-015 3-1/4 x 1/2 pulley.

MSR BURNER

Supersedes:

Item Number	Description	9020-009 MSR 8"	9020-010 MSR 6"	9020-011 MSR 8"	9020-012 MSR 6"	9020-013 MSR 6"
1	Motor 1/8 hp - 3450 RPM	8101-003	8101-003	8101-003	8101-003	8101-003
2	Screw	9021-085	9021-085	9021-085	9021-085	9021-085
3	Motor Cord Cover	9021-078	9021-078	9021-078	9021-078	9021-078
4	Transformer	8407-030	8407-030	8407-030	8407-030	8407-030
5	Screw	9021-081	9021-081	9021-081	9021-081	9021-081
6	Fan	9021-006	9021-006	9021-006	9021-006	9021-006
7	Trans. Clip Screw	9021-084	9021-084	9021-084	9021-084	9021-084
8	Trans. Clip	9021-008	9021-008	9021-008	9021-008	9021-008
9	Fan Housing	9021-010	9021-010	9021-010	9021-010	9021-010
10	Oil Line Slot Cover	9021-015	9021-015	9021-015	9021-015	9021-015
11	Oil Line Locknut	9021-080	9021-080	9021-080	9021-080	9021-080
12	Inner Air Adjusting Band	9021-012	9021-012	9021-012	9021-012	9021-012
13	Outer Air Adjusting Band	9021-014	9021-014	9021-014	9021-014	9021-014
14	Oil Line Elbow	9021-018	9021-018	9021-018	9021-018	9021-018
15	Coupling	9021-017	9021-017	9021-017	9021-017	9021-017
16	Fuel Unit	9021-003	9021-003	9021-003	9021-003	9021-003
17	Oil Line Elbow	9021-019	9021-019	9021-019	9021-019	9021-019
18	Buss Bar	9021-024	9021-026	9021-024	9021-026	9021-026
19	Electrode Support Screw	9021-032	9021-033	9021-032	9021-033	9021-033
20	Electrode Support	9021-079	9021-079	9021-079	9021-079	9021-079
21	Baffle Plate	9021-035	9021-035	9021-035	9021-035	9021-035
22	Baffle Plate Screw	9021-040	9021-040	9021-040	9021-040	9021-040
23	Insulator	9021-076	9021-076	9021-076	9021-076	9021-076
24	Electrode Stem	9021-044	9021-044	9021-044	9021-044	9021-044
25	Nozzle Adapter	9021-045	9021-045	9021-045	9021-045	9021-045
26	Insulator Bushing	9021-043	9021-043	9021-043	9021-043	9021-043
27	Pinnut	9021-034	9021-034	9021-034	9021-034	9021-034
28	Oil Line Fitting	9021-075	9021-075	9021-075	9021-075	9021-075
29	Air Cone Screw	9021-020	9021-020	9021-020	9021-020	9021-020
30	Flange Mounting Screw	9021-053	9021-053	9021-053	9021-053	9021-053
31	Gasket	9021-060	9021-060	9021-060	9021-060	9021-060
32	Mounting Flange	9021-073	9021-073	9021-073	9021-073	9021-073
33	Air Cone	9021-059	9021-059	9021-059	9021-059	9021-059
34	Air Tube	9021-056	9021-056	9021-056	9021-056	9021-056
35	Gun Assy. (Items 18 thru 29)	9021-051	9021-050	9021-051	9021-050	9021-050
		9021-066	9021-067	9021-066	9021-067	9021-067



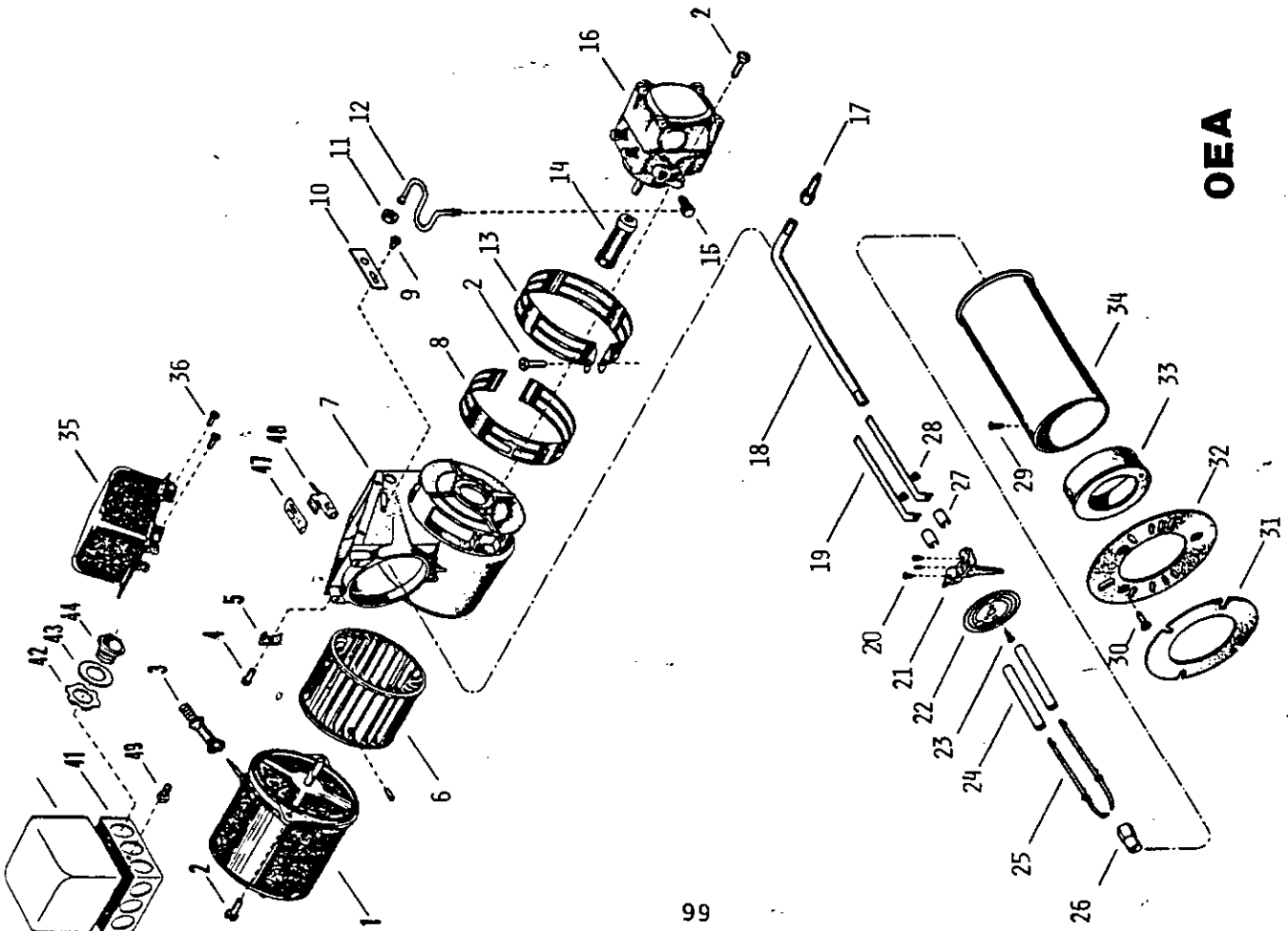
△ Break baffle plate to 3" dia. on 9020-011 and 9020-012 burners.
△ Break baffle plate to 2" dia. on 9020-013 burner.

M-SR

OEA BURNER

8-22-83

Item Number	Description	9020-003 OEA 8"	9020-008 OEA 6"
1	Motor 1/8 hp 1725 RPM	8101-002	8101-002
2	Screw	9021-085	9021-085
3	Motor Cord Cover	9021-077	9021-077
4	Screw	9021-083	9021-083
5	Trans. Hold Down Clip	9021-007	9021-007
6	Fan Housing	9021-005	9021-005
7	Inner Air Adjusting Band	9021-009	9021-009
8	Screw	9021-011	9021-011
9	Oil Line Slot Cover	9021-081	9021-081
10	Oil Line Locknut	9021-015	9021-015
11	Oil Line Assembly	9021-080	9021-080
12	Outer Air Adjusting Band	9021-018	9021-018
13	Pump Coupling	9021-013	9021-013
14	Oil Line Elbow	9021-016	9021-016
15	Fuel Unit	9021-019	9021-019
16	Oil Line Fitting	9021-001	9021-001
17	Oil Pipe	9021-020	9021-020
18	Buss Bar	9021-022	9021-022
19	Electrode Support Screw	9021-028	9021-027
20	Electrode Support	9021-079	9021-079
21	Baffle Plate	9021-035	9021-035
22	Baffle Plate Screw	9021-037	9021-037
23	Insulator	9021-076	9021-076
24	Electrode Stem	9021-044	9021-044
25	Nozzle Adapter	9021-045	9021-045
26	Insulator Bushing	9021-043	9021-043
27	Pinnut	9021-034	9021-034
28	Air Cone Screw	9021-075	9021-075
29	Flange Mounting Screw	9021-052	9021-052
30	Gasket	9021-060	9021-060
31	Flange	9021-073	9021-073
32	Air Cone	9021-059	9021-059
33	Air Tube	9021-054	9021-054
34	Transformer	9021-048	9021-047
35	Transformer Hinge Screw	8407-001	8407-001
36	Cum Assembly (Items 17 thru 28)	9021-082	9021-082
		9021-062	9021-061



OEA

PARTS LIST
ELECTRONIC AIR CLEANER

Effective 1/1/80
Supersedes 10/78

PART NO.	DESCRIPTION	EC14	EC20
8610-015	Electronic Cell FC37A1130	(2)	
8610-016	Electronic Cell FC37A1064		(2)
8610-017	Cell Handle 137266	(2)	(2)
8610-018	Protective Screen 136388	(2)	
8610-019	Protective Screen 136389		(2)
8610-020	Cell Key 136518	x	x
8610-021	Contact Board 136383A	(2)	(2)
8610-022	Shorting Arm 136387A	x	x
8610-023	Shorting Arm Bracket 136382A	x	x
8610-024	Shorting Arm Spring 136517	x	x
8610-025	Switch/Indicator Light 139034	x	x
8610-026	Power Supply W919A1275	x	
8610-027	Power Supply W919A1267		x
8610-028	High Voltage Transformer 135672AH	x	
8610-029	High Voltage Transformer 136572AF		x
8610-030	Resonating Capacitor 136749	x	x
8610-031	Diode 137073A	(2)	(2)
8610-032	Capacitor 136912	(2)	(2)
8610-033	Resistor 118965A	x	x
	Power Box Assembly 139963C	x	
	Power Box Assembly 139963A		x

Minimum Net Billing \$15.00. Supersedes all previous lists.
Subject to change without notice.

PARTS LIST
ECW-2, ECW-3, ECW-4
ECONOMIZER

3/85

Part No.	Description	ECW-2	ECW-3	ECW-4
8201-015	Relay	x	x	x
8201-013	Relay	x	x	x
8602-002	Enthalpy Control	x	x	x
8602-017	Economizer Motor	x	x	x
8602-018	Thermistor Sensor	x	x	x
8602-019	Minimum Position Potentiometer	x	x	x
7004-020	Filter 10x25x1	x		
7004-021	Filter 16x25x1		x	
7004-022	Filter 16x34x1			x
7002-005	Moisture Eliminator 8-7/8x24½x1	x		
7002-006	Moisture Eliminator 12½x29x1		x	
7002-007	Moisture Eliminator 12½x32½x1			x
8408-008	Compressor Lockout Thermostat	x	x	x

Minimum Net Billing \$15.00. Supersedes all previous lists.
 Subject to change without notice.

PARTS LIST
 ECON-P-35
 ECONOMIZER

4/86

Part No.	Description	ECON-P-35
* 8602-020	Motor M8405A1006	x
8602-002	Enthalpy Control	x
8201-015	Relay	(2)
8602-005	Outdoor Air Damper (18x18)	x
8602-007	Crank Arm	x
8602-008	Ball Joints	(3)
8602-009	Push Rod 18"	1
* 7002-004	Lint Screen 17-3/4 x 19	1
* 8602-021	Mixed air controller T675A1003	x

Minimum net billing \$15.00. Supersedes all previous lists.
 Subject to change without notice.

PARTS LIST
 HRU2-5A
 HEAT RECOVERY UNIT

2/87

Part No.	Description	HRU2-5A
5052-004	Desuperheater Water Coil	x
8300-001	Water Pump	x
8408-010	Thermostat - Freeze Protection	x
8408-009	Thermostat - Discharge Tube	x
8408-007	Thermostat - Water Line	x
8408-011	Thermostat - Water Line - Safety	x
8406-020	Toggle Switch SPST	x
8614-036	Circuit Breaker	2

Supersedes all previous lists.
 Subject to change without notice.