



1988 Furnace Parts Lists

Pink Pages

GAS FURNACES

H & EH SERIES HI-BOY – H60DB H80DB H80D36B H105D36B H105D48B H120D48B H120D60B
H140D48B H160D48B H200A EH60DB EH80DB EH80D36B EH105D36B EH105D48B EH120D48B
EH120D60B EH140D48B EH160D48B EH200A ---**A1-A2**

C & EC SERIES COUNTERFLOW –C60DA C80D36A C105D42A C120D42A C140D48A C160D48A
EC60DA EC80D36A EC105D42A EC120D42A EC140D48A EC160D48A ---**B1-B2**

IH SERIES HIGH ECONOMY - IH60D36B IH85D48B IH115D48B ---**C1**

IC SERIES HIGH ECONOMY - IC60D36C IC85D42C IC115D48C ---**D1**

IL SERIES HIGH ECONOMY - IL85D42A IL115D48A IL145D60A ---**E1**

XH SERIES HIGH EFFICIENCY – XH050D36AN XH050D36AL XH075D42AN XH075D42AL
XH100D48AN XH100D48AL XH125D60AN XH125D60AL ---**F1-F3**

XC SERIES HIGH EFFICIENCY – XC075D36AN XC075D36AL XC100D48AN XC100D48AL
XC125D60AN XC125D60AL ---**G1-G3**

CH060D36B CH080D48B CH100D60B ---**H1-H6**

CC060D36A CC080D48A CC100D48A ---**H7-H12**

SG & ESG GAS HORIZONTAL – SG040D36B SG050D36B SG060D48B SG075D00A SG075D42A
SG075D48B SG080D60B SG100D00A SG100D48A SG100D60B SG120D60A SG140D60B ---**I1-I3**

ESG040D36C ESG050D36C ESG060D48C ESG075D00A ESG075D42A ESG075D48C ESG080D60C
ESG100D00A ESG100D48A ESG100D60C ESG120D60A ESG140D60B ---**I4-I5**

OIL FURNACES

F81 F97 NB120 C1 C2 F86CF F100CF F86H F120H F120L ---**J1-J2**

SO175 SO230 SO350 S0175 S0230 S0350 ---**K1-K2**

OH SERIES OIL HI-BOY – OH95D36A OH125B48A ---**L1-L2**

OC SERIES OIL COUNTERFLOW – OC95D36A OC125D48A ---**M1-M2**

OS SERIES OIL HORIZONTAL – OS95D36A OS125D48A OS140B48A OS196B60A ---**N1-N2**

OL SERIES OIL LO-BOY – OL95B36A OL125B48A OL140B48A OL196B60A ---**O1-O1**



1988 Furnace Parts Lists

Pink Pages

OIL FURNACES CONTINUED

FH095D48A ---O3-O6

FL110D48A ---O7-O10

BURNERS

MSR ---P1-P2

OEA 0EA ---Q1

ELECTRIC FURNACES

EFC10-1 EFC10-1-B EFC15-1 EFC20-1 EFC25-1 EFC30-1 ---R1

AIR FILTERS

EC14 EC20 ---S1



PARTS LIST

Furnaces (Gas - Oil - Electric)

EFFECTIVE JANUARY, 1988

IMPORTANT

RETAIN OBSOLETE PARTS LISTS FOR REFERENCE PURPOSES. IT IS ESSENTIAL TO USE COMPLETE MODEL NUMBER AND MATCHING PARTS LIST TO HELP ASSURE THE CORRECT PART IS SHIPPED.

IMPORTANT

PLEASE SUPPLY COMPLETE MODEL NUMBER AND SERIAL NUMBER WHEN ORDERING PARTS.

THIS HELPS ASSURE THAT THE CORRECT PARTS ARE SHIPPED AND IS ALSO NECESSARY IF THERE IS WARRANTY COVERAGE INVOLVED.

BARD MANUFACTURING CO.

P. O. BOX 607

BRYAN, OHIO 43506

419-636-1194

PARTS LIST
HI-BOY GAS FURNACES

Page: A2
Date: 04/06/89

Part No.	Description	H 6 D B	E H D B	H 8 D B	E H D B	H 8 D B	E H D B	H 1 D B	E H D B	H 1 D B	E H D B	H 1 D B	E H D B	H 1 D B	E H D B	H 1 D B	E H D B	H 1 D B	E H D B	H 2 D A	E H D A	
8402-007	Fan and Limit 8"																				X	X
8402-042	Fan and Limit 11"					X	X	X	X	X	X	X	X	X	X	X	X	X	X	X	X	X
8406-013	Micro Door Switch	X	X	X	X	X	X	X	X	X	X	X	X	X	X	X	X	X	X	X	X	X
8406-034	Spill Switch 170 Degree	X	X																			
8406-036	Spill Switch 190 Degree			X	X	X	X										X	X				
8406-037	Spill Switch 220 Degree											X	X	X	X							
8406-038	Spill Switch 240 Degree																X	X	X	X		
8407-006	Transformer 24V	X	X	X	X																X	X
8552-002	Capacitor 5/370V					X	X	X	X	X	X	X	X									
8552-004	Capacitor 7.5/370V														X	X	X	X				
8552-026	Capacitor 15/370												X	X								
8554-002	Pilot Burner--Nat.	X		X		X		X		X		X		X		X		X		X		
8554-003	Thermocouple	X		X		X		X		X		X		X		X		X		X		
8554-009	Pilot Burner--Nat.		X		X		X		X		X		X		X		X		X		X	
9010-008	Orifice--Nat. No. 32			2	2	2	2					3	3	3	3					4	4	5
9010-009	Orifice--Nat. No. 35							3	3	3	3									4	4	5
9010-010	Orifice--Nat. No. 38	2	2																			
9010-036	Venturi 2-cell	X	X	X	X	X																
9010-037	Venturi 3-cell							X	X	X	X	X	X	X	X							
9010-038	Venturi 4-cell															X	X	X	X			
9010-039	Venturi 5-cell																				X	X
913-0010	Draft Hood Assembly	X	X																			
913-0011	Draft Hood Assembly							X	X	X	X											
913-0012	Draft Hood Assembly														X	X						
913-0013	Draft Hood Assembly													X	X	X	X				X	X
913-0017	Draft Hood Assembly																					
913-0021	Draft Hood Assembly			X	X	X	X															
913-0022	Draft Hood Assembly																X	X				

PARTS LIST
HI-BOY GAS FURNACES

Page: B1
Date: 04/06/89

Part No.	Description	C 6 D A	E C 6 D A	C 8 D 3 A 6 A	E C 8 D 3 A 6 A	C 1 D 5 D 4 2 A	E C 1 D 5 D 4 2 A	C 1 D 0 D 4 2 A	E C 1 D 0 D 4 2 A	C 1 D 0 D 4 8 A	E C 1 D 0 D 4 8 A	C 1 D 0 D 4 8 A	E C 1 D 0 D 4 8 A
*171-139	Heat Exchanger					X	X	X	X				
*171-143	Heat Exchanger	X	X	X	X								
*171-149	Heat Exchanger									X	X	X	X
4046-100	Wiring Diagram	X											
4046-101	Wiring Diagram			X		X		X		X		X	
4046-102	Wiring Diagram		X										
4046-103	Wiring Diagram				X	X		X			X		X
*	Housing Blower--10-7	X	X	X	X								
*	Housing Blower--10-9					X	X	X	X				
*	Housing Blower--10-10									X	X	X	X
5152-004	Wheel--Blower DD9-7	X	X										
5152-010	Wheel--Blower DD10-7			X	X								
5152-014	Wheel--Blower DD10-9					X	X	X	X				
5152-059	Wheel--Blower DD10-10									X	X	X	X
5651-023	Valve--Nat. 1/2 x 3/4										X		X
5651-032	Valve--Nat. 1/2 x 3/4									X		X	
5651-060	Ignition Module		X		X		X		X		X		X
5651-061	Valve--Nat. 1/2 x 3/4	X		X		X		X					
5651-062	Valve--Nat. 1/2 x 3/4		X		X		X		X				
5818-019	Manifold 2-Sec.	X	X	X	X								
5818-020	Manifold 3-Sec.					X	X	X	X				
5818-021	Manifold 4-Sec.									X	X	X	X
7003-001	Filter 10 x 20 x 1 Perm.					1	1	1	1	1	1	1	1
7003-003	Filter 15 x 20 x 1 Perm.	1	1	1	1	1	1	1	1	1	1	1	1
8102-005	Motor 1/6 hp	X	X										
8105-008	Motor 1/3 hp			X	X								
8105-009	Motor 1/3 hp					X	X	X	X				
8106-018	Motor 1/2 hp									X	X	X	X
8200-033	Motor Mount Band	X	X	X	X	X	X	X	X	X	X	X	X
8200-034	Motor Mount Arm	3	3			3	3	3	3	3	3	3	3
8200-036	Motor Mount Arm			3	3								
8201-006	Fan Center			X	X	X	X	X	X	X	X	X	X
8402-014	Limit Switch 140 degree	X	X	X	X	X	X	X	X	X	X	X	X
8402-045	Fan/Limit 8"									X	X	X	X
8402-046	Fan/Limit 11"	X	X	X	X	X	X	X	X				
8406-013	Micro Switch	X	X	X	X	X	X	X	X	X	X	X	X
8406-032	Spill Switch 150 degree	X	X			X	X						
8406-033	Spill Switch 160 degree									X	X		
8406-034	Spill Switch 170 degree							X	X				
8406-035	Spill Switch 180 degree											X	X
8406-036	Spill Switch 190 degree			X	X								
8407-006	Transformer 12VA	X											
8407-025	Transformer 20V		X										
8552-002	Capacitor 5/370V			X	X	X	X	X	X				

PARTS LIST

High Economy Hi-Boy Gas Furnace

1/88

PART NO.	DESCRIPTION	60,000	86,000	115,000
8552-002	Capacitor 5/370V	x	x	
8552-004	Capacitor 7.5/370V			x
8402-042	Fan and Limit 11"	x	x	x
7003-004	Filter 16x25 P	x	x	x
* 171-101	Heat Exchanger	x		
* 171-104	Heat Exchanger		x	
* 171-107	Heat Exchanger			x
* *	Housing - Blower 10-7	x		
* *	Housing - Blower 10-9		x	
* *	Housing - Blower 10-10			x
8109-001	Combustion air blower	x	x	x
8600-002	Ignition Wire	x	x	x
5651-060	Ignition Module	x	x	x
163-001	Manifold Assembly	x		
163-002	Manifold Assembly		x	
163-003	Manifold Assembly			x
8105-008	Motor 1/3 hp	x		
8105-009	Motor 1/3 hp		x	
8106-018	Motor 1/2 hp			x
8200-003	Motor Mount	x	x	
5451-011	Motor Mounting Parts	x	x	x
9010-010	Orifice - Nat	x	x	x
8406-013	Micro Switch	x	x	x
8554-009	Pilot Burner - Nat	x	x	x
8406-021	Pressure Switch	x	x	x
8201-048	Relay - DPST	x	x	x
8201-006	Transformer w/2-Speed Relay	x	x	x
5651-062	Valve - Nat. 1/2 x 3/4	x	x	x
9010-015	Venturi - 2 Cell	x		
9010-016	Venturi - 3 Cell		x	
9010-017	Venturi - 4 Cell			x
5152-010	Wheel - Blower DD10-7A	x		
5152-014	Wheel - Blower DD10-9A		x	
5152-015	Wheel - Blower DD10-10A			x
8200-028	Motor Mount			x
4046-104	Wiring Diagram	x	x	x

*Supply model number and serial number when ordering parts.

PARTS LIST
High Economy Counterflow Gas Furnace

1/88

PART NO.	DESCRIPTION	60,000	86,000	115,000
8552-002	Capacitor 5/370V	x	x	
8552-004	Capacitor 7.5/370V			x
8402-046	Fan and Limit 11"	x		
8402-045	Fan and Limit 8"		x	x
7003-001	Filter 10x20 P		(2)	x
7003-003	Filter 15x20 P	x		x
* 171-123	Heat Exchanger	x		
* 171-124	Heat Exchanger		x	
* 171-125	Heat Exchanger			x
*	Housing - Blower 10-7	x		
*	Housing - Blower 10-9		x	
*	Housing - Blower 10-10			x
8600-002	Ignition Wire	x	x	x
8109-001	Combustion air blower	x	x	x
8402-014	Limit Switch 140°	x	x	x
163-001	Manifold Assembly	x		
163-002	Manifold Assembly		x	
163-003	Manifold Assembly			x
8406-013	Micro Switch	x	x	x
8105-009	Motor 1/3 hp		x	
8105-008	Motor 1/3 hp	x		
8106-018	Motor 1/2 hp			x
8200-003	Motor Mount	x	x	
5451-011	Motor Mounting Parts	x	x	x
5651-060	Ignition Module	x	x	x
9010-010	Orifice - Nat	x	x	x
8554-009	Pilot and Orifice - Nat	x	x	x
8406-021	Pressure Switch	x	x	x
8201-048	Relay - DPST	x	x	x
8201-005	Fan Relay w/Trans.	x	x	x
8200-028	Motor Mount			x
5651-062	Valve - Nat. 1/2 x 3/4	x	x	x
9010-015	Venturi 2-Cell	x		
9010-016	Venturi 3 Cell		x	
9010-017	Venturi 4-Cell			x
5152-014	Wheel DD10-9A (blower)		x	
5152-015	Wheel DD10-10A (blower)			x
5152-010	Wheel DD10-7A (blower)	x		
4046-105	Wiring Diagram	x	x	x

*Supply model number and serial number when ordering parts.

PARTS LIST

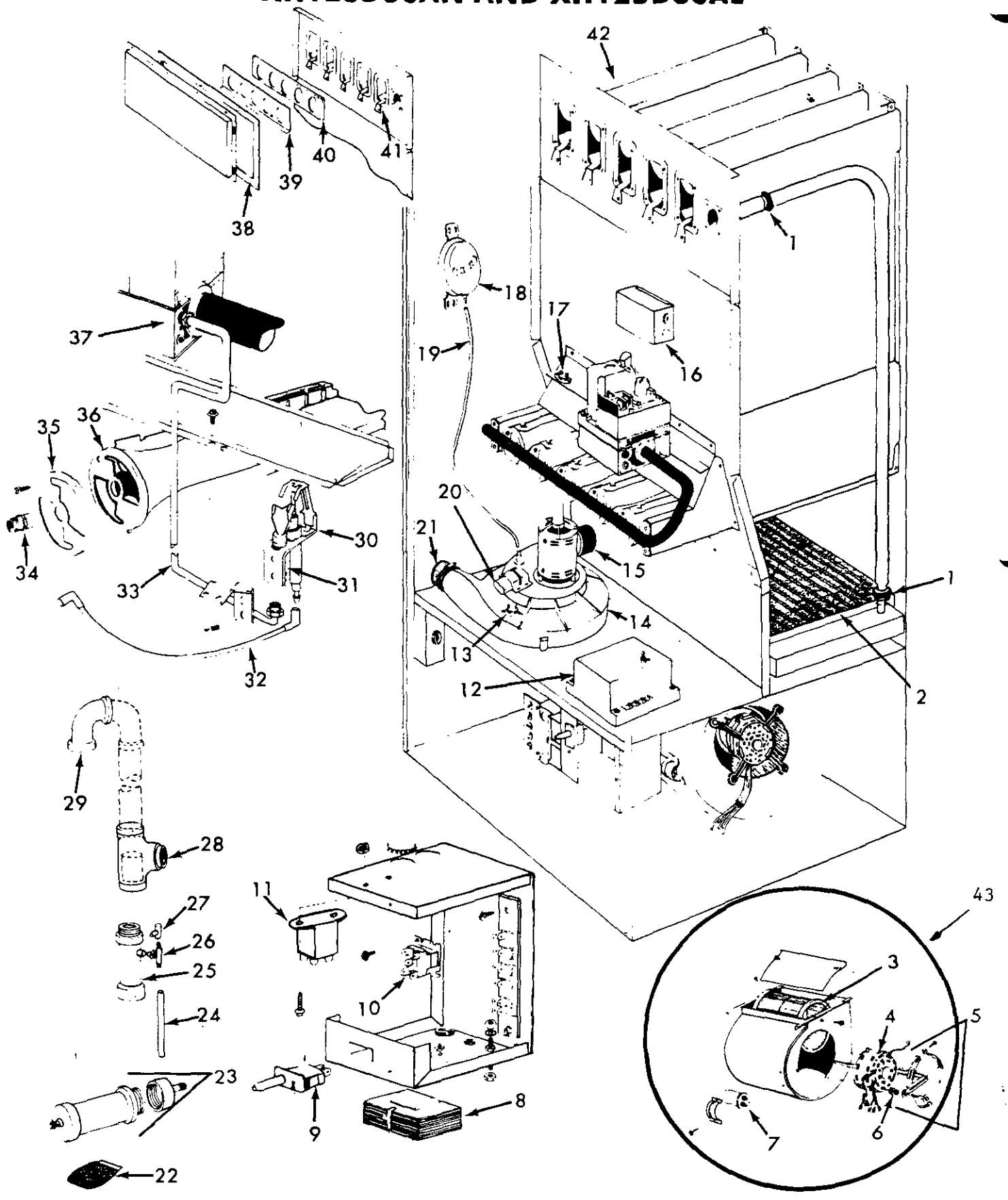
High Economy Lo-Boy Gas Furnace

1/88

Part No.	Description	86,000	115,000	145,000
8552-002	Capacitor 5/370V	x		
8552-004	Capacitor 7.5/370V		x	
8552-026	Capacitor 15/370V			x
8402-043	Fan and Limit 8"	x	x	
8402-042	Fan and Limit 11"			x
7003-014	Filter - 18-3/4 x 20 P	x	x	
7003-015	Filter - 22-3/4 x 20 P			x
7003-016	Filter - 13 x 20 P			x
* 171-128	Heat Exchanger	x		
* 171-127	Heat Exchanger		x	
* 171-126	Heat Exchanger			x
* *	Housing - Blower 10-9	x		
* *	Housing - Blower 10-10		x	
8600-002	Ignition Wire	x	x	x
8109-001	Combustion air blower	x	x	x
8200-028	Motor Mount		x	
163-002	Manifold Assembly	x		
163-003	Manifold Assembly		x	
163-004	Manifold Assembly			x
8406-013	Micro Switch	x	x	x
8105-009	Motor 1/3 hp	x		
8106-018	Motor 1/2 hp		x	
8107-004	Motor 3/4 hp			x
8200-003	Motor Mount	x		
8200-026	Motor Mount			x
5451-011	Motor Mounting Parts	x	x	
9010-010	Orifice - Nat	x	x	x
8554-009	Pilot and Orifice - Nat	x	x	x
5651-060	Ignition Module	x	x	x
8406-021	Pressure Switch	x	x	x
8201-048	Relay - DPST	x	x	x
8201-006	Fan Relay w/Trans.	x	x	x
5651-062	Valve - Nat. 1/2 x 3/4	x	x	
5651-023	Valve - Nat. 1/2 x 3/4			x
9010-016	Venturi 3 Cell	x		
9010-017	Venturi 4 Cell		x	
9010-018	Venturi 5 Cell			x
5152-014	Wheel DD10-9A (blower)	x		
5152-015	Wheel DD10-10A (blower)		x	
5152-050	Wheel and Housing Assembly			x
4046-107	Wiring Diagram	x	x	x

*Supply model number and serial number when ordering parts.

GAS FURNACE—MODELS XH050D36AN, XH050D36AL, XH075D42AN, XH075D42AL, XH100D48AN, XH100D48AL, XH125D60AN AND XH125D60AL



Functional Replacement Parts

REPLACEMENT PART SUPPLIED WILL BE CURRENT ACTIVE PART.
 OTHER PARTS NOT LISTED CONSULT PLACE OF PURCHASE.

ALL MODELS	XH050D36AN	XH050D36AL	XH075D42AN	XH075D42AL	XH100D48AN	XH100D48AL	XH125D60AN	XH125D60AL
------------	------------	------------	------------	------------	------------	------------	------------	------------

KEY NO.	DESCRIPTION	REPLACEMENT PART NUMBER	MODEL NUMBER/QUANTITY REQUIRED										
			ALL MODELS	XH050D36AN	XH050D36AL	XH075D42AN	XH075D42AL	XH100D48AN	XH100D48AL	XH125D60AN	XH125D60AL		
1	O-Ring	9044-182	2										
2	Coil, Condenser	9044-238	-	1	1								
		9044-239	-	-	-	1	1						
		9044-236	-	-	-	-	-	1	1				
		9044-237	-	-	-	-	-	-	-	1	1		
3	Wheel, Blower	9044-175	-	1	1								
		9044-176	-	-	-	1	1	1	1				
		9044-177	-	-	-	-	-	-	-	1	1		
4	Motor, 1/2H.P., 4SP/PSC	9044-169	-	1	1								
	3/4H.P., 4SP/PSC	9044-170	-	-	-	1	1	1	1				
	3/4H.P., 4SP/PSC	9044-240	-	-	-	-	-	-	-	1	1		
5	Mount, Motor (Includes No. 6)	9044-168	-	1	1	1	1	1	1				
		9044-172	-	-	-	-	-	-	-	1	1		
6	Grommet, Motor Mount	9044-173	-	3	3	3	3	3	3	4	4		
7	Capacitor	7.5MFD., 370V., 10MFD., 370V., 15MFD., 370V.,	8552-004	-	1	1							
			8552-005	-	-	-	1	1	1	1			
			9044-174	-	-	-	-	-	-	1	1		
8	Transformer	9044-228	1										
9	Switch, Interlock	9044-229	1										
10	Relay, DPDT	9044-231	1										
11	Relay, DPST	9044-230	1										
12	Module, Control (Nat. Gas) (L.P. Gas)	9044-215	-	1	-	1	-	1	-	1	-		
		9044-216	-	-	1	-	1	-	1	-	1		
13	Switch, Limit	9044-224	-	1	1								
		9044-225	-	-	-	1	1	1	1				
		9044-226	-	-	-	-	-	-	-	1	1		
		9044-222	1										
14	Blower, Exhaust	9044-223	1										
15	Coupling	9044-232	1										
16	Control, Fan and Limit	9044-217	1										
17	Switch, Limit	9044-243	-	1	1								
18	Switch, Pressure	9044-244	-	-	-	1	1						
		9044-246	-	-	-	-	-	1	1				
		9044-245	-	-	-	-	-	-	-	1	1		
19	Tube, Sensor	9044-258	1										
20	Capacitor, 5MFD., 370V.,	8552-004	1										
21	Coupling, No Hub Band	9044-227	1										
22	Neutralizer (Optional)	9044-192	1										
23	Kit, Neutralizer Tubing (Optional)	9044-193	1										
24	Tubing, 5/8"O.D. X 1/2" I.D. (Optional)	-----											
25	Trap	9044-194	1										
26	Tee, 1/2" Male	9044-195	1										
27	Tee, 1/2" Union	9044-196	1										
28	Tee, 2" (Includes Float 1000887)	9044-197	1										
29	Cap. Vent	9044-198	1										
30	Burner, Pilot (Nat. Gas) With Orifice (L.P. Gas) With Orifice	9044-107	-	1	-	1	-	1	-	1	-		
		9044-108	-	-	1	-	1	-	1	-	1		
31	Orifice, Pilot (Nat.) (.018) (L.P.) (.016)	9044-112	-	1	-	1	-	1	-	1	-		
		9044-113	-	-	1	-	1	-	1	-	1		
32	Wire, Spark	9044-247	1										
33	Tube, Pilot	9044-248	-	1	1	1	1						
		9044-249	-	-	-	-	-	1	1	1	1		
34	Orifice, Main Burner (Nat. Gas) (No. 42) (L.P. Gas) (No. 54)	9044-190	-	2	-	3	-	4	-	5	-		
		9044-191	-	-	2	-	3	-	4	-	5		
35	Shutter, Air	9044-120	-	-	2	3	3	-	4	5	5		
36	Burner	9044-150	-	2	2	3	3	4	4	5	5		
37	Valve, Gas (Nat.) (L.P.)	9044-183	-	1	-	1	-	1	-	1	-		
		9044-184	-	-	1	-	1	-	1	-	1		
	Gasket, Collector Box	9044-250	-	1	1	1	1						
		9044-200	-	-	-	-	-	1	1				
		9044-201	-	-	-	-	-	-	-	1	1		
38	Plate, Restrictor	9044-251	-	1	1	-	-						
		9044-252	-	-	-	1	1						

FUNCTIONAL REPLACEMENT PARTS

FOR

NATURAL GAS MODELS

XC075D36AN

XC100D48AN

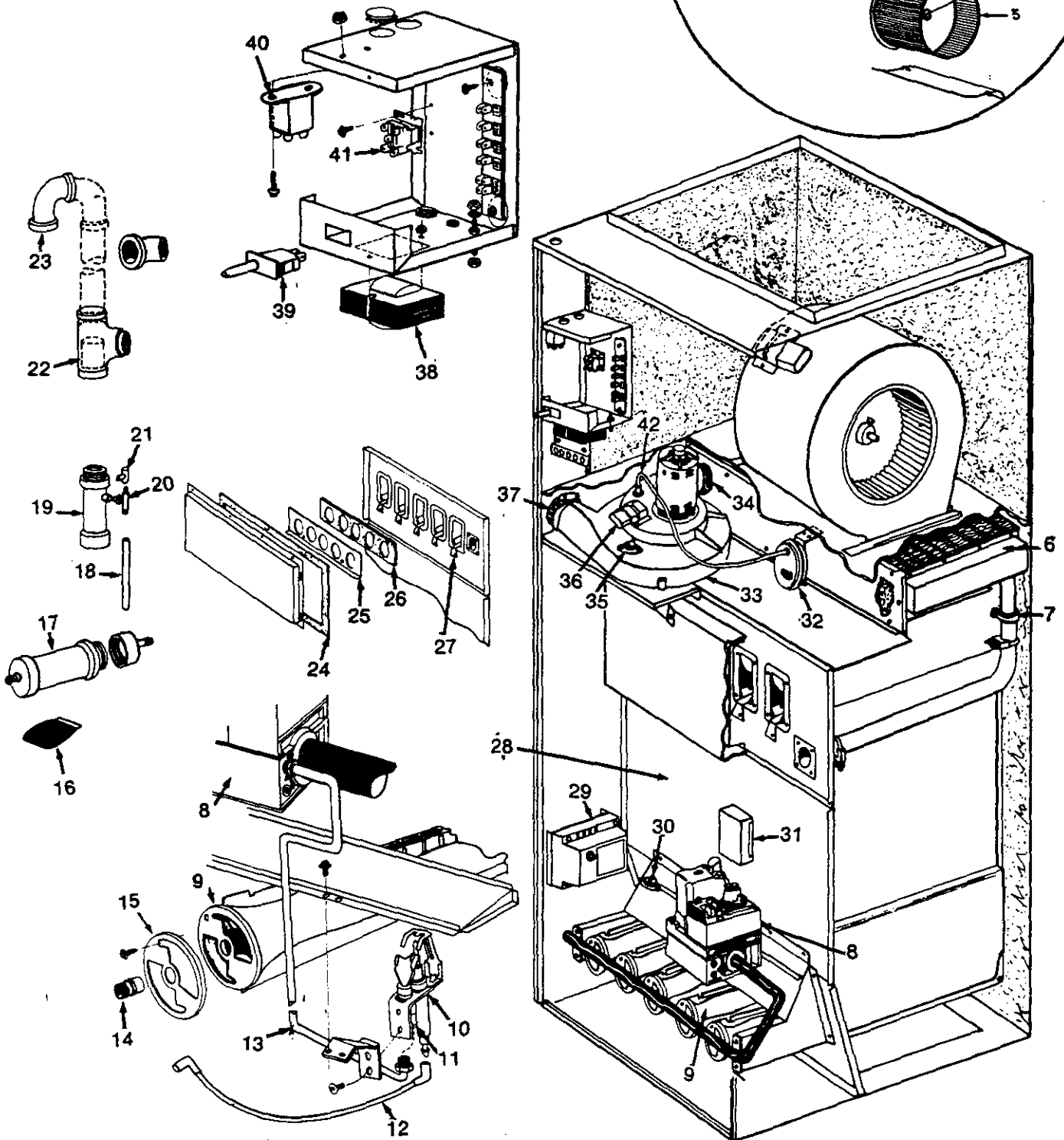
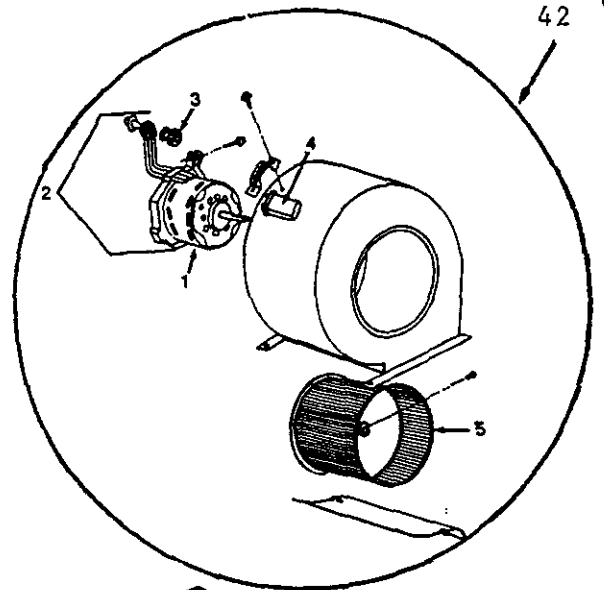
XC125D60AN

L. P. GAS MODELS

XC075D36AL

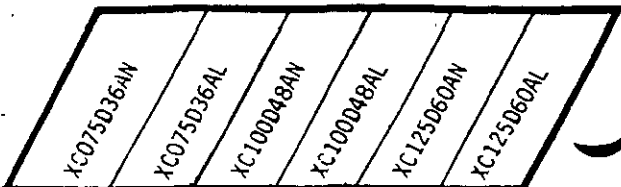
XC100D48AL

XC125D60AL



Functional Replacement Parts

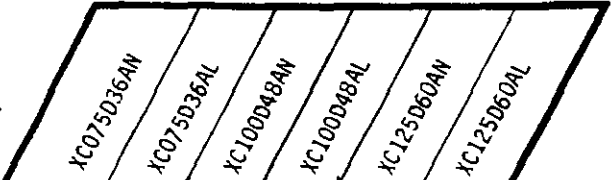
REPLACEMENT PART SUPPLIED WILL BE CURRENT ACTIVE PART.
FOR PARTS NOT LISTED CONSULT PLACE OF PURCHASE.



KEY NO.	DESCRIPTION	REPLACEMENT PART NUMBER	MODEL NUMBER/QUANTITY REQUIRED					
			XC075D36AN	XC075D36AL	XC100D48AN	XC100D48AL	XC125D60AN	XC125D60AL
1	Motor, Blower 1/2H.P. 4SP/PSC	9044-169	1	1				
		9044-170	-	-	1	1		
		9044-171	-	-	-	-	1	1
2	Assembly, Motor Mount (Includes Key No. 3)	9044-168	1	1	1	1		
		9044-172	-	-	-	-	1	1
3	Grommet, Blower	9044-173	3	3	3	3	4	4
4	Capacitor, 7.5MFD., 370V., 10MFD., 370V., 15MFD., 370V.,	8552-004	1	1				
		8552-005	-	-	1	1		
		9044-174	-	-	-	-	1	1
5	Wheel, Blower	9044-175	1	1				
		9044-176	-	-	-	-	1	1
		9044-177	-	-	-	-	1	1
6	Coil, Condenser	9044-179	1	1				
		9044-180	-	-	1	1		
		9044-181	-	-	-	-	1	1
7	O-Ring	9044-182	1	1	1	1	1	1
8	Valve, Gas (Nat.) (L.P.)	9044-183	1	-	1	-	1	-
		9044-184	-	1	-	1	-	1
9	Burner	9044-150	3	3	4	4	5	5
10	Pilot/Igniter/Sensor (Nat. Gas) (L.P. Gas)	9044-107	1	-	1	-	1	-
		9044-108	-	1	-	1	-	1
11	Orifice, Pilot (.018) (Nat.) (.016) (L.P.)	9044-112	1	-	1	-	1	-
		9044-113	-	1	-	1	-	1
12	Wire, Spark	9044-186	1	1	1	1	1	1
13	Tube, Pilot	9044-187	1	1				
		9044-188	-	-	1	1	1	1
		9044-190	3	-	4	-	5	-
14	Orifice, Main Burner (Nat.) (No. 42) (L.P.) (No. 54)	9044-191	-	3	-	4	-	5
		9044-120	1	1	1	1	1	1
15	Shutter, Air	9044-192	1	1	1	1	1	1
16	Neutralizer (Optional)	9044-193	1	1	1	1	1	1
17	Kit, Neutralizer Tubing (Optional)	-----	1	1	1	1	1	1
18	Tubing, 5/8" O.D. X 1/2" I.D. Optional	9044-194	1	1	1	1	1	1
19	Trap	9044-195	1	1	1	1	1	1
20	Tee, 1/2" Male	9044-196	1	1	1	1	1	1
21	Tee, 1/2" Union	9044-197	1	1	1	1	1	1
22	Tee, 2" (Includes Float #1000887)	9044-198	1	1	1	1	1	1
23	Cap, Vent	9044-199	1	1				
24	Gasket, Collector Box	9044-200	-	-	1	1		
		9044-201	-	-	-	-	1	1
		9044-203	1	1				
25	Plate, Restrictor	9044-204	-	-	1	1		
		9044-205	-	-	-	-	1	1
		9044-207	1	1				
26	Gasket, Restrictor Plate	9044-208	-	-	1	1		
		9044-209	-	-	-	-	1	1
		9044-210	3	3	4	4	5	5
27	Baffle, Flue	9044-212	1	1				
		9044-213	-	-	1	1		
28	Exchanger, Heat	9044-214	-	-	-	-	1	1
		9044-215	1	-	1	-	1	-
		9044-216	-	1	-	1	-	1
29	Module, Control 25V., (Nat.) (L.P.)	9044-217	1	1	1	1	1	1
		9044-234	1	1	1	1		
30	Switch, Limit	9044-235	-	-	-	-	1	1
		9044-219	1	1				
31	Control, Fan and Limit	9044-220	-	-	1	1		
		9044-221	-	-	-	-	1	1
		9044-222	1	1	1	1	1	1
32	Switch, Pressure	9044-223	1	1	1	1	1	1
		9044-225	1	1	1	1		
33	Blower, Exhaust	9044-222	1	1	1	1	1	1
34	Coupling	9044-223	1	1	1	1	1	1
35	Switch, Limit	9044-225	1	1	1	1		

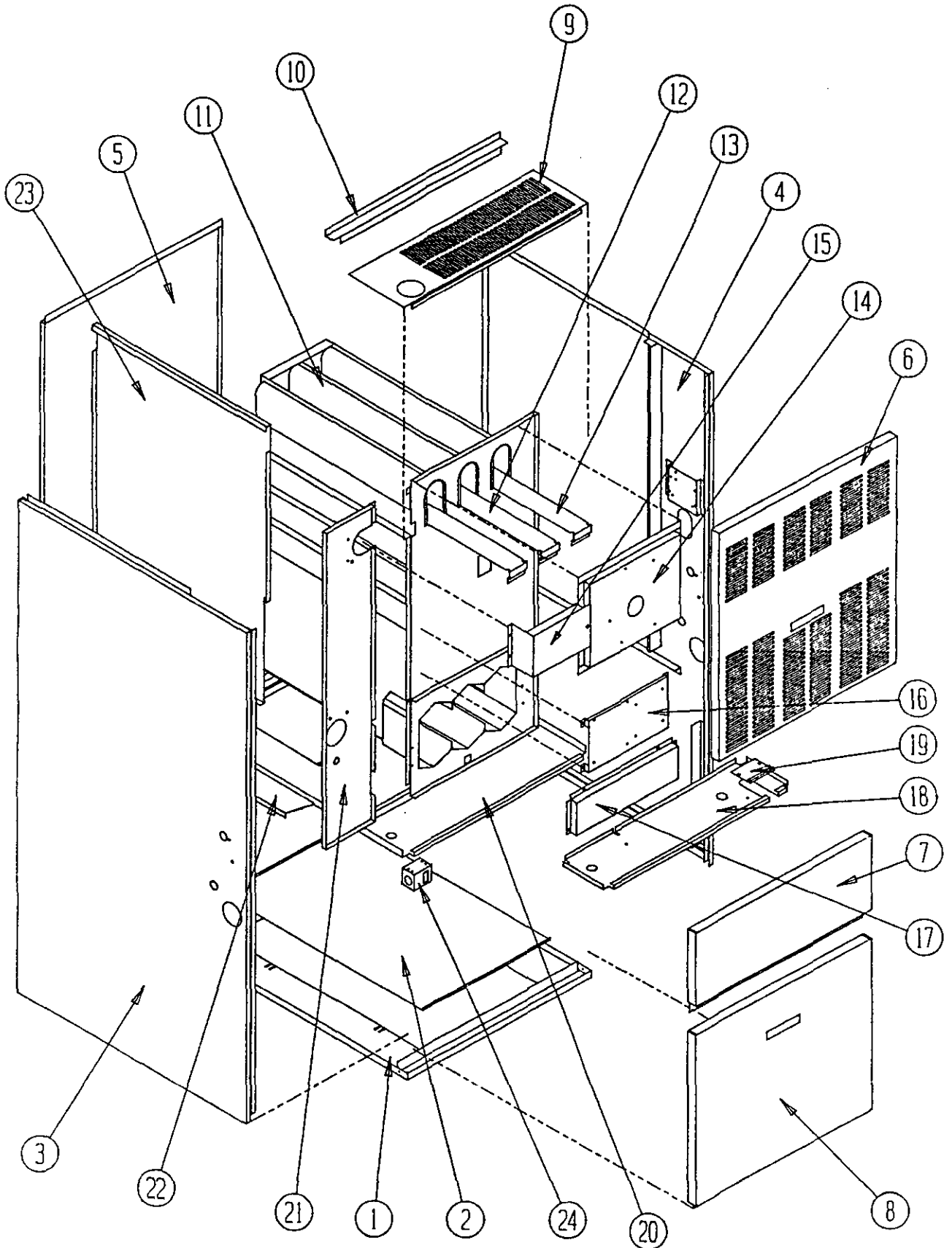
Functional Replacement Parts

REPLACEMENT PART SUPPLIED WILL BE CURRENT ACTIVE PART.
FOR PARTS NOT LISTED CONSULT PLACE OF PURCHASE.



KEY NO.	DESCRIPTION	REPLACEMENT PART NUMBER	MODEL NUMBER/QUANTITY REQUIRED						
			XC075D36AN	XC075D36AL	XC100D48AN	XC100D48AL	XC125D60AN	XC125D60AL	
36	Capacitor, 5MFD., 370V.,	8552-002	1	1	1	1	1	1	
37	Coupling, No Hub Band	9044-227	1	1	1	1	1	1	
38	Transformer	9044-228	1	1	1	1	1	1	
39	Switch, Interlock	9044-229	1	1	1	1	1	1	
40	Relay, DPST	9044-230	1	1	1	1	1	1	
41	Relay, DPDT	9044-231	1	1	1	1	1	1	
	Filter, Air (15" X 20" X 1")	7003-003	2	2	2	2	2	2	
	Warranty	F1081	1	1	1	1	1	1	
	Manual, Homeowners Information	1000765	1	1	1	1	1	1	
	Manual, Installation	1000763	1	1	1	1	1	1	
	Manual, Technical Support	1002669	1	1	1	1	1	1	
	PART NOT ILLUSTRATED								
42	Blower Assembly Complete	9044-262	1	1	-	-	-	-	
		9044-261	-	-	1	1	-	-	
		9044-263	-	-	-	-	1	1	

UPFLOW
FABRICATED PARTS



UPFLOW
PARTS LIST
FABRICATED PARTS

Page: H2

Date: 6-27-88

Dwg. No.	Part No.	Description	C H O 6 O D 3 6 B	C H O 8 O D 4 8 B	C H O 1 O O D 6 O B
1	127-125	Lower Base Spotweld Assembly	x		
1	127-127	Lower Base Spotweld Assembly		x	
1	127-148	Lower Base Spotweld Assembly			x
2	136-121	Bottom Fill Plate	x		
2	136-121	Bottom Fill Plate		x	
2	136-133	Bottom Fill Plate			x
3	501-182	Left Side Assembly	x	x	x
4	501-181	Right Side Assembly	x	x	x
5	508-018	Back Assembly	x		
5	508-019	Back Assembly		x	
5	508-073	Back Assembly			x
6	152-148	Vestibule Door	x		
6	152-149	Vestibule Door		x	
6	152-150	Vestibule Door			x
7	152-145	Burner Door	x		
7	152-146	Burner Door		x	
7	152-147	Burner Door			x
8	152-151	Blower Door	x		
8	152-152	Blower Door		x	
8	152-153	Blower Door			x
9	106-111	Top Fill	x		
9	106-112	Top Fill		x	
9	106-113	Top Fill			x
10	140-134	Plenum Support	x		
10	140-135	Plenum Support		x	
10	140-136	Plenum Support			x
11	171-158	Heat Exchanger Assembly	x		
11	171-159	Heat Exchanger Assembly		x	
11	171-160	Heat Exchanger Assembly			x
12	168-013	Flue Baffle--Short		x	x
13	168-002	Flue Baffle	x	x	x
14	168-031	Flue Collector Box	x		
14	168-032	Flue Collector Box		x	
14	168-033	Flue Collector Box			x
15	913-0041	IDB Transition	x		
15	913-0038	IDB Transition Assembly		x	
15	913-0044	IDB Transition Assembly			x
*16	112-088	Ignition Module Bracket	x		
*16	112-089	Control Mounting Bracket		x	x
17	168-003	Secondary Air Baffle	x		

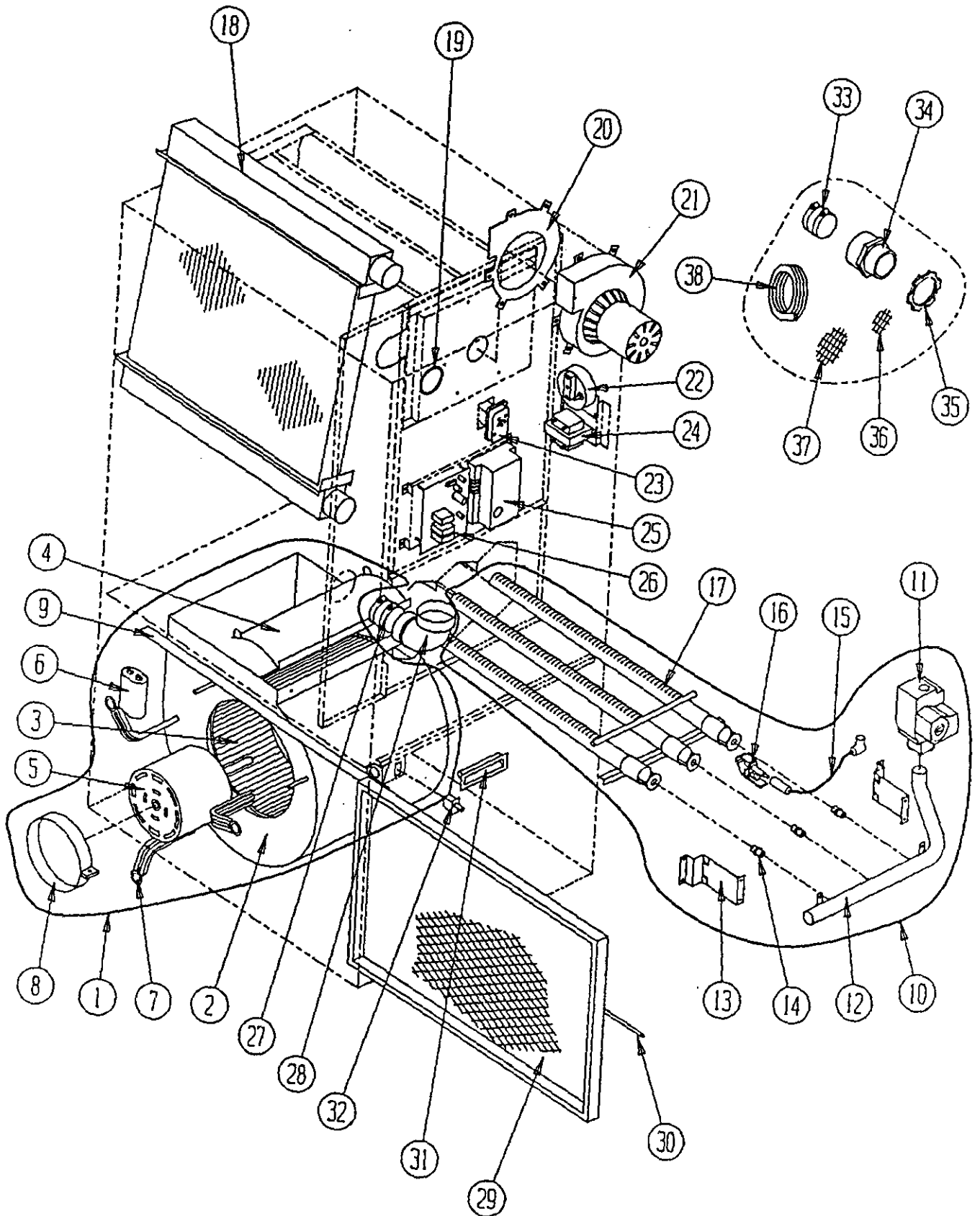
*80,000 and 100,000 ignition module bracket shown.

UPFLOW
PARTS LIST
FABRICATED PARTS

Page: H3
Date: 6-27-88

Dwg. No.	Part No.	Description	C	C	C
			H	H	H
			0	0	1
			6	8	0
			0	0	0
			D	D	D
			3	4	6
			6	8	0
			B	B	B
17	168-008	Secondary Air Baffle		x	
17	168-010	Secondard Air Baffle			x
18	120-120	Burner Compartment Partition	x		
18	120-121	Burner Compartment Partition		x	
18	120-122	Burner Compartment Partition			x
19	136-131	Manifold Fill Plate	x	x	
19	136-132	Manifold Fill Plate			x
20	127-149	Blower Base Weld Assembly	x		
20	127-120	Blower Base Weld Assembly		x	
20	127-146	Blower Base Weld Assembly			x
21	120-119	Coil Partition	x	x	x
22	140-133	Support Coil	x	x	x
23	134-098	Coil Shield	x	x	
23	134-099	Coil Shield			x
24	112-031	Door Switch Bracket	x	x	x

*80,000 and 100,000 ignition module bracket shown.



UPFLOW
PARTS LIST
MECHANICAL PARTS

Page: H5
Date: 11-28-88

Dwg. No.	Part No.	Description	C H O 6 0 D 3 6 B	C H O 8 0 D 4 8 B	C H I 0 0 D 6 0 B
1	900-088	Blower Assembly	X		
1	900-094	Blower Assembly		X	
1	900-089	Blower Assembly			X
2	151-067	Blower Housing	X		
2	151-041	Blower Housing		X	
2	151-066	Blower Housing			X
3	5152-013	Blower Wheel	X		
3	5152-059	Blower Wheel		X	
3	5152-061	Blower Wheel			X
4	144-120	Diffuser	X		
4	144-088	Diffuser		X	
4	144-117	Diffuser			X
5	8105-008	Motor	X		
5	8106-018	Motor		X	
5	8107-004	Motor			X
6	8552-002	Capacitor	X		
6	8552-004	Capacitor		X	
6	8552-026	Capacitor			X
7	8200-034	Motor Mount Leg	X	X	
7	8200-035	Motor Mount Leg			X
8	8200-033	Motor Mount Strap	X	X	X
9	104-769	Blower Angle	X		
9	104-731	Blower Angle		X	X
10	901-0083	Burner Assembly	X		
10	901-0082	Burner Assembly		X	
10	901-0084	Burner Assembly			X
11	5651-062	Gas Valve	X	X	X
12	5818-019	Gas Manifold	X		
12	5818-020	Gas Manifold		X	
12	5818-021	Gas Manifold			X
13	112-079	Manifold Mounting Bracket	X	X	X
14	9010-010	Gas Orifice Spud	X		
14	9010-046	Gas Orifice Spud		X	X
15	8600-008	Ignition Cable	X	X	X
16	8554-009	Pilot Assembly	X	X	X
17	9010-036	Burner Venturi	X		
17	9010-037	Burner Venturi		X	
17	9010-038	Burner Venturi			X
18	5055-001	Coil Assembly	X	X	X
19	1921-020	Silicone Die-Cut Gasket	X	X	X

*80,000 and 100,000 ignition module bracket shown.

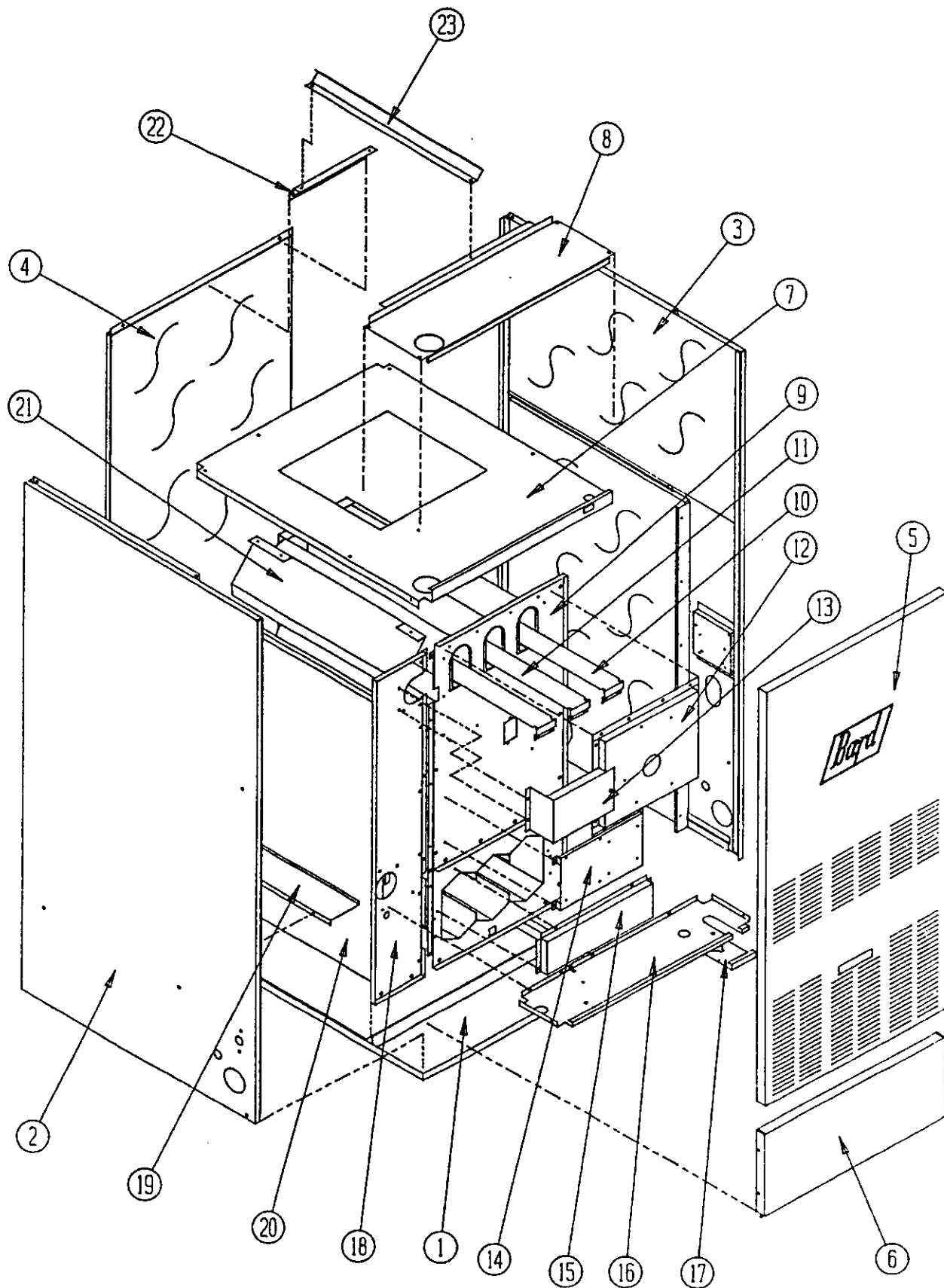
UPFLOW
PARTS LIST
MECHANICAL PARTS

Page: H6
Date: 2-16-89

Dwg. No.	Part No.	Description	C H O 6 O D 3 6 B	C H O 8 O D 4 8 B	C H I O O D 6 O B
20	1921-019	IDB Gasket	x	x	x
21	8620-033	Induced Draft Blower Assembly Kit	x	x	x
22	8406-041	Pressure Switch			x
22	8406-042	Pressure Switch		x	
22	8406-043	Pressure Switch	x		
23	8620-032	Limit Assembly	x	x	x
24	8407-039	Transformer	x	x	x
25	5651-060	Ignition Module	x	x	x
26	8201-053	Blower Control	x	x	x
27	6093-007	"No Hub" Connector	x	x	x
28	6095-005	90 Degree Street Elbow	x	x	x
29	7003-004	16x25x1 Permanent	x	x	x
30	5401-002	Filter Spring	x	x	x
31	1171-025	Door Pull	x	x	x
32	8406-013	Door Switch	x	x	x
33	6093-008	"No Hub" Connector	x	x	x
34	6093-006	2" Male Adapter	x	x	x
35	8611-063	2" Conduit Lock Nut	x	x	x
36	7002-009	2" Bird Screen	x	x	x
37	7002-008	3" Bird Screen	x	x	x
38	5452-005-6000	Vinyl Drain Hose	x	x	x
*39	8620-031	Condensate Neutralizer	x	x	x

*Not pictured.

DOWNFLOW
PARTSLIST
FABRICATED PARTS



DOWNFLOW
PARTS LIST
FABRICATED PARTS

Page: H8
Date: 06/05/89

Dwg. No.	Part No.	Description	C C O 6 0 D 3 6 A	C C O 8 0 D 4 8 A	C C 1 0 0 D 4 8 A
1	127-166	Lower Base Assembly	X		
1	127-167	Lower Base Assembly		X	
1	127-163	Lower Base Assembly			X
2	501-198	Left Side Assembly	X	X	X
3	501-197	Right Side Assembly	X	X	X
4	508-018	Back Assembly	X		
4	508-019	Back Assembly		X	
4	508-073	Back Assembly			X
5	552-171	Blower Door Assembly	X		
5	552-172	Blower Door Assembly		X	
5	552-173	Blower Door Assembly			X
6	552-165	Burner Door Assembly	X		
6	552-166	Burner Door Assembly		X	
6	552-167	Burner Door Assembly			X
7	127-160	Blower Base Assembly	X		
7	127-161	Blower Base Assembly		X	
7	127-162	Blower Base Assembly			X
8	106-119	Top Fill	X		
8	106-120	Top Fill		X	
8	106-121	Top Fill			X
9	171-162	Heat Exchanger Assembly	X		
9	171-163	Heat Exchanger Assembly		X	
9	171-164	Heat Exchanger Assembly			X
10	168-002	Internal Flue Baffle	2	2	2
11	168-013	Internal Flue Baffle		1	2
12	913-0039	Collector Box Assembly	X		
12	913-0048	Collector Box Assembly		X	
12	913-0050	Collector Box Assembly			X
13	169-034	Transition Assembly	X		
13	169-035	Transition Assembly		X	
13	169-036	Transition Assembly			X
14	112-088	Module Bracket	X		
14	112-089	Module Bracket		X	X
15	168-003	Secondary Air Baffle	X		
15	168-008	Secondary Air Baffle		X	
15	168-010	Secondary Air Baffle			X
16	120-120	Burner Compartment Partition	X		
16	120-121	Burner Compartment Partition		X	
16	120-122	Burner Compartment Partition			X
17	136-131	Manifold Fill Plate	X	X	

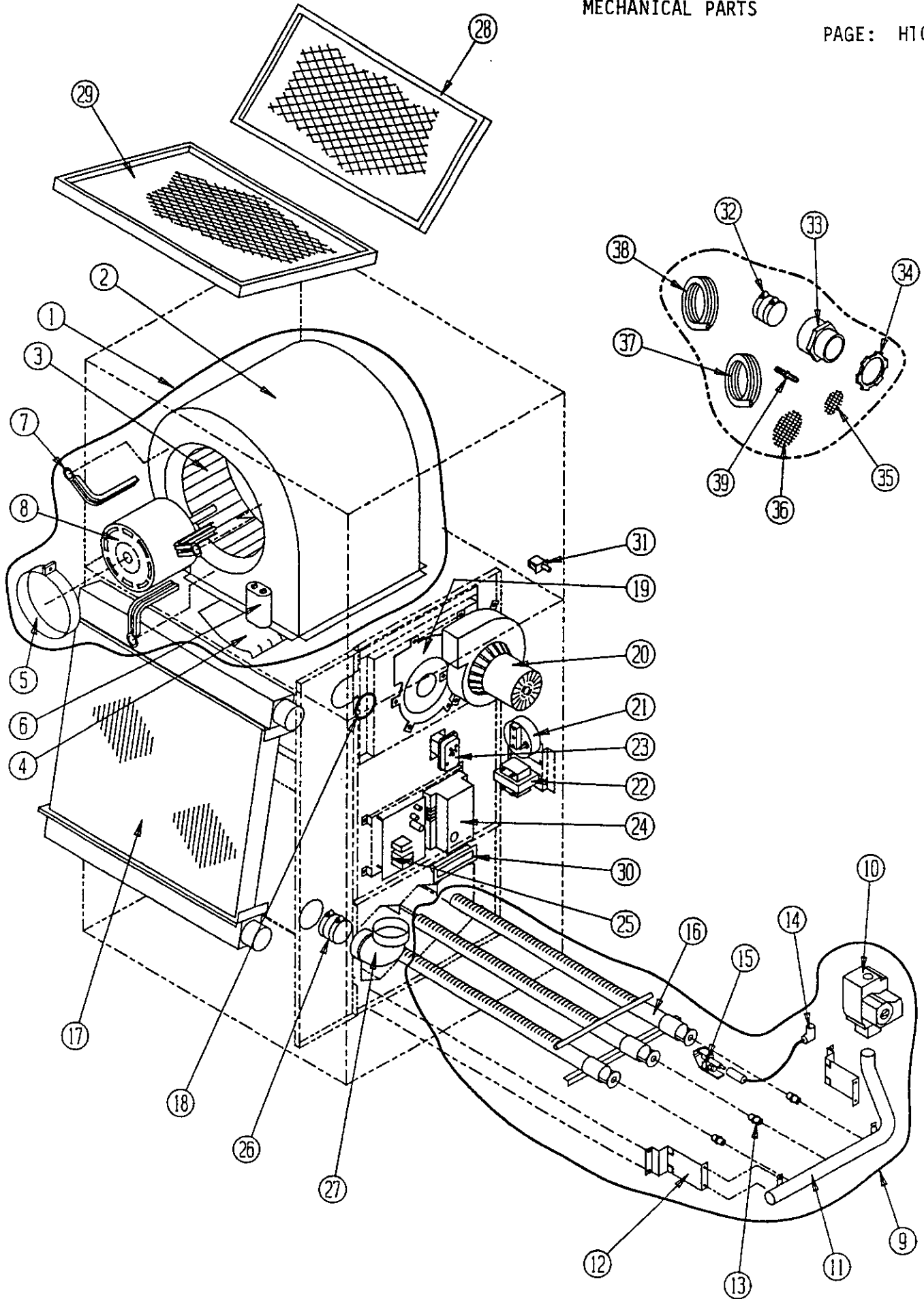
DOWNELOW
PARTS LIST
FABRICATED PARTS

Page: H9
Date: 06/05/89

Dwg. No.	Part No.	Description	C C O 6 0 D 3 6 A	C C O 8 0 D 4 8 A	C C 1 0 0 D 4 8 A
17	136-132	Manifold Fill Plate			X
18	520-119	Coil Partition	X	X	X
19	140-133	Coil Support	X	X	X
20	134-098	Internal Coil Partition	X	X	X
21	134-107	Coil Extension Partition	X	X	
22	130-023	Filter Support Bracket	X	X	X
23	130-062	Main Filter Support	X	X	X
24	152-168	Vestibule Door	X		
24	152-169	Vestibule Door		X	
24	152-170	Vestibule Door			X
25	112-094	Door Switch Bracket	X	X	X

FH8/PARTSLIST/TEXTLIB

DOWNFLOW
MECHANICAL PARTS



DOWNFLOW
PARTS LIST
MECHANICAL PARTS

Page: H11
Date: 06/05/89

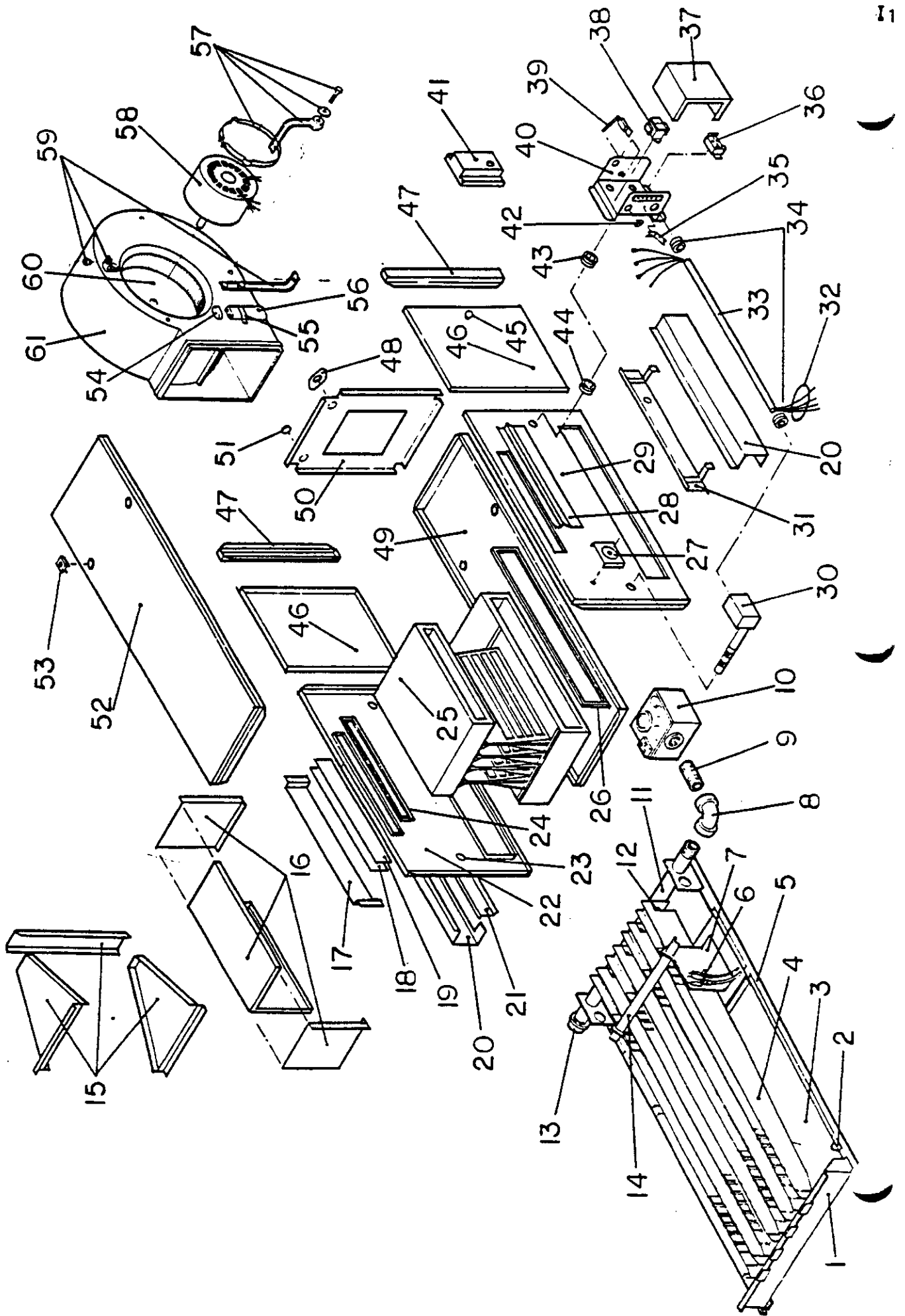
Dwg. No.	Part No.	Description	C C O 6 0 D 3 6 A	C C O 8 0 D 4 8 A	C C 1 0 0 D 4 8 A
1	900-150	Blower Assembly	X		
1	900-151	Blower Assembly		X	
1	900-152	Blower Assembly			X
2	151-089	Blower Housing Assembly	X		
2	151-077	Blower Housing Assembly		X	
2	151-090	Blower Housing Assembly			X
3	5152-013	Blower Wheel	X		
3	5152-059	Blower Wheel		X	
3	5152-061	Blower Wheel			X
4	144-127	Diffuser	X		
4	144-129	Diffuser		X	
4	144-131	Diffuser			X
5	8200-033	Motor Mount Band	X	X	X
6	8552-002	Capacitor	X		
6	8552-004	Capacitor		X	
6	8552-006	Capacitor			X
7	8200-034	Motor Mount Arm	3	3	3
8	8105-008	Motor	X		
8	8106-018	Motor		X	
8	8107-004	Motor			X
9	901-0083	Burner Assembly	X		
9	901-0082	Burner Assembly		X	
9	901-0084	Burner Assembly			X
10	8554-009	Gas Valve	X	X	X
11	5818-019	Manifold 2 Section	X		
11	5818-020	Manifold 3 Section		X	
11	5818-021	Manifold 4 Section			X
12	112x095	Manifold Bracket	X	X	X
12	112y095	Manifold Bracket	X	X	X
13	9010-010	Gas Orifice #38	2		
13	9010-046	Gas Orifice #41		3	4
14	8600-008	Ignition Wire	X	X	X
15	8554-009	Pilot Assembly	X	X	X
16	9010-036	Burner 2 Section	X		
16	9010-037	Burner 3 Section		X	
16	9010-038	Burner 4 Section			X
17	5055-001	Coil Assembly	X	X	X
18	1921-020	Silicone Gasket	X	X	X
19	1921-019	IDB Gasket	X	X	X
20	8109-004	Induced Draft Blower	X	X	X

DOWNELOW
PARTS LIST
MECHANICAL PARTS

Page: R12
Date: 06/05/89

Dwg. No.	Part No.	Description	C	C	C
			0	0	1
			6	8	0
			0	0	0
			D	D	D
			3	4	4
			6	8	8
			A	A	A
21	8406-042	Pressure Switch	x	x	
21	8406-041	Pressure Switch			x
22	8407-039	Transformer 40VA	x	x	x
23	8402-052	Limit Switch	x	x	x
24	5651-060	Ignition Module	x	x	x
25	8201-053	Blower Control	x	x	x
26	6093-007	"No-Hub" Connector	x	x	x
27	6095-005	Street Ell 90 degree	x	x	x
28	7003-001	Permanent Filter 10 x 20 x 1	2	1	1
29	7003-003	Permanent Filter 15 x 20 x 1		1	1
30	1171-025	Flush Door Pull	2	2	2
31	8406-013	Door Switch	x	x	x
32	6093-008	"No-Hub" Connector	x	x	x
33	6093-006	Male Adapter 2"	x	x	x
34	8611-063	2" Locknut	x	x	x
35	7002-009	2" Bird Screen	3	3	3
36	7002-008	3" Bird Screen		3	3
37	5452-005	Vinyl Tubing	x	x	x
38	5452-006	Silicone Tubing	x	x	x
39	6093-009	Hose Coupling	x	x	x

FH11/PARTSLIST/TEXTLIB



PARTS LIST
STANDING PILOT GAS HORIZONTAL

Page: 12
Date: 4/19/88

Dwg. No.	Part No.	Description	S	S	S	S	S	S	S	S	S	S	S	S
			G	G	G	G	G	G	G	G	G	G	G	G
			0	0	0	0	0	0	0	1	1	1	1	1
			4	5	6	7	7	7	8	0	0	0	2	4
			0	0	0	5	5	5	0	0	0	0	0	0
			D	D	D	D	D	D	D	D	D	D	D	D
			3	3	4	0	4	4	6	0	4	6	6	6
			6	6	8	0	2	8	0	0	8	0	0	0
			B	B	B	A	A	B	B	A	A	B	A	B
4	9043-022	Main Burner	2	2	3	3	3	3	4	4	4	4	5	6
6	9043-027	MH Pilot Burner Q314 Nat.	x	x	x	x	x	x	x	x	x	x	x	x
6	9043-028	MH Thermocouple Q308 24"	x	x	x	x	x	x	x	x	x	x	x	x
10	9043-030	MH Gas Valve VR800A1012	x	x	x	x	x	x	x	x	x	x	x	x
11	9043-034	Manifold Assembly (Without Orifice)	x	x										
11	9043-035	Manifold Assembly (Without Orifice)				x	x							
11	9043-036	Manifold Assembly (Without Orifice)							x			x		
11	9043-037	Manifold Assembly (Without Orifice)											x	
11	9043-038	Manifold Assembly (Without Orifice)												x
11	9043-064	Manifold Assembly (Without Orifice)								x	x			
11	9043-065	Manifold Assembly (Without Orifice)												
12	9043-023	Nat. Burner Orifice #41		2		x								
12	9043-024	Nat. Burner Orifice #40				3		3	3			4	4	4
12	9043-063	Nat. Burner Orifice #43	2											5
14	9043-001	Crossover Angle	x	x										6
14	9043-002	Crossover Angle				x	x	x	x					
14	9043-003	Crossover Angle								x	x	x	x	
14	9043-004	Crossover Angle												x
14	9043-005	Crossover Angle												x
16	9043-006	Draft Diverter Assembly				x	x	x	x					
16	9043-007	Draft Diverter Assembly								x	x	x	x	
16	9043-008	Draft Diverter Assembly												x
16	9043-009	Draft Diverter Assembly												x
16	9043-104	Draft Diverter Assembly	x	x										
25	*9043-057	Heat Exchanger 2 Section	x	x										
25	*9043-058	Heat Exchanger 3 Section				x	x							
25	*9043-059	Heat Exchanger 4 Section							x	x	x			
25	*9043-060	Heat Exchanger 5 Section												x
25	*9043-061	Heat Exchanger 6 Section												x
25	*9043-068	Heat Exchanger 3 Section				x			x					
25	*9043-069	Heat Exchanger 4 Section											x	
30	9043-053	Fan & Limit L4064T1830 5"	x	x	x	x	x	x	x	x	x	x	x	x
36	9043-052	Blower Relay 184-20103-306	x	x	x	x	x	x	x	x	x	x	x	x
38	9043-056	Transformer 40VA	x	x	x	x	x	x	x	x	x	x	x	x
39	9043-055	Door Interlock Switch	x	x	x	x	x	x	x	x	x	x	x	x
48	9043-054	Auxiliary Limit Open 160 Close 130	x	x	x	x	x	x	x	x	x	x	x	x
56	8552-004	Capacitor 7.5 370V	x	x			x	x	x		x	x	x	x
57	9043-050	Motor Mounting Kit	x	x										
57	9043-051	Motor Mounting Kit			x	x	x	x	x	x	x	x	x	x
58	9043-047	Motor 1/4 hp 3-Speed 115V	x	x			x							
58	9043-048	Motor 1/3 hp 3-Speed 115V			x			x				x		
58	9043-049	Motor 1/2 hp 2-Speed 115V							x				x	x
58	9043-066	Motor 1/6 hp 1-Speed 115V				x								x

* Supply model number and serial number when ordering parts.

PARTS LIST
INTERMITTENT PILOT GAS HORIZONTAL

Page: 14
Date: 1/88A

Dwg. No.	Part No.	Description	E	E	E	E	E	E	E	E	E	E	E	E
			S	S	S	S	S	S	S	S	S	S	S	S
			G	G	G	G	G	G	G	G	G	G	G	G
			0	0	0	0	0	0	1	1	1	1	1	
			4	5	6	7	7	7	8	0	0	0	2	4
			0	0	0	5	5	5	0	0	0	0	0	
			D	D	D	D	D	D	D	D	D	D	D	
			3	3	4	0	4	4	6	0	4	6	6	
			6	6	8	0	2	8	0	0	8	0	0	
			C	C	C	A	A	C	C	A	A	C	A	B
4	9043-022	Main Burner	2	2	3	3	3	3	4	4	4	4	5	6
6	8600-006	Ignition Cable 30"	x	x	x	x	x	x	x	x	x	x	x	x
6	9043-070	ME Pilot Burner Q345 Nat.	x	x	x	x	x	x	x	x	x	x	x	x
10	9043-071	MH Gas Valve VR8440A2001	x	x	x	x	x	x	x	x	x	x	x	x
11	9043-034	Manifold Assembly (Without Orifice)	x	x										
11	9043-035	Manifold Assembly (Without Orifice)				x	x							
11	9043-036	Manifold Assembly (Without Orifice)							x			x		
11	9043-037	Manifold Assenlby (Without Orifice)											x	
11	9043-038	Manifold Assembly (Without Orifice)												x
11	9043-064	Manifold Assembly (Without Orifice)								x	x			
11	9043-065	Manifold Assembly (Without Orifice)				x		x						
12	9043-023	Nat. Burner Orifice #41			2		3	3	3		4	4	4	
12	9043-024	Nat. Burner Orifice #40												5
12	9043-063	Nat. Burner Orifice #43	2			3				4				6
14	9043-001	Crossover Angle	x	x										
14	9043-002	Crossover Angle				x	x	x	x					
14	9043-003	Crossover Angle							x	x	x	x		
14	9043-004	Crossover Angle											x	
14	9043-005	Crossover Angle												x
16	9043-006	Draft Diverter Assenlby				x	x	x	x					
16	9043-007	Draft Diverter Assenlby							x	x	x	x		
16	9043-008	Draft Diverter Assenlby											x	
16	9043-009	Draft Diverter Assenlby												x
16	9043-104	Draft Diverter Assenlby	x	x										
25	*9043-057	Heat Exchanger 2 Section	x	x										
25	*9043-058	Heat Exchanger 3 Section				x	x							
25	*9043-059	Heat Exchanger 4 Section								x	x			
25	*9043-060	Heat Exchanger 5 Section												x
25	*9043-061	Heat Excbanger 6 Section												x
25	*9043-068	Heat Exchanger 3 Section				x		x						
25	*9043-069	Heat Exchanger 4 Section							x			x		
30	9043-053	Fan & Limit L4064T1830 5"	x	x	x	x	x	x	x	x	x	x	x	x
36	9043-052	Blower Relay 184-20103-306	x	x	x	x	x	x	x	x	x	x	x	x
38	9043-056	Transformer 40VA	x	x	x	x	x	x	x	x	x	x	x	x
39	9043-055	Door Interlock Switch	x	x	x	x	x	x	x	x	x	x	x	x
41	5651-060	Ignition Module S86E	x	x	x	x	x	x	x	x	x	x	x	x
48	9043-054	Auxiliary Limit Open 160 Close 130	x	x	x	x	x	x	x	x	x	x	x	x
56	8552-004	Capacitor 7.5 370V	x	x			x	x	x		x	x	x	x
57	9043-050	Motor Mounting Kit	x	x										
57	9043-051	Motor Mounting Kit				x	x	x	x	x	x	x	x	x
58	9043-047	Motor 1/4 hp 3-Speed 115V	x	x			x							
58	9043-048	Motor 1/3 hp 3-Speed 115V				x		x			x			
58	9043-049	Motor 1/2 hp 2-Speed 115V							x			x	x	x
58	9043-066	Motor 1/6 hp 1-Speed 115V												

* Supply model number and serial number when ordering parts.

PARTS LIST
OIL FURNACES

PART NO.	DESCRIPTION	F81	F97	NB120	C1	C2	F86CF	F100CF	F86H	F120H	F120L
5153-012	Bearings 3/4"	x	x	x			x	x	x	x	x
5153-013	Bearings 1"				x	x					
5601-007	Belt 42"	x									
5601-001	Belt 36"								x		x
5601-003	Belt 38"			x							
5601-009	Belt 46"				x	x					
5601-005	Belt 40"		x				x	x			
5601-002	Belt 37"									x	
5153-018	Collar 3/4"	x	x	x			x	x	x	x	x
5153-021	Collar 1"				x	x					
7090-005	Combustion Chamber	x	x				x	x	x		
7090-003	Combustion Chamber			x						x	x
7090-006	Combustion Chamber				x	x					
5153-014	Cushion - Bearing	x	x	x			x	x	x	x	x
5153-015	Cushion - Bearing				x	x					
8402-007	Fan and Limit 8"		x				x	x			
8402-001	Fan and Limit 11"	x			x	x					x
8402-003	Fan and Limit L4064B								x		
8402-005	Fan and Limit L4064C			x						x	
7004-012	Filter 20x20	x		(2)						x	
7004-013	Filter 20x25		x								
7004-011	Filter 16x25				(2)				x		(2)
7004-001	Filter 10x20						(2)				
7004-003	Filter 12x20							(2)			
7003-004	Filter 16x25 P					(2)					
7004-010	Filter 16x20									x	
1171-002	Handle - Door	x	x	x							x
1171-003	Handle - Door	(2)	(3)	(2)	(4)	(4)	(2)	(2)	(2)		(2)
* 171-113	Heat Exchanger	x					x		x		
* 171-114	Heat Exchanger		x								
* 171-120	Heat Exchanger			x							
* 171-121	Heat Exchanger				x						
* 171-122	Heat Exchanger					x					
* 171-119	Heat Exchanger							x			
* 171-117	Heat Exchanger									x	
* 171-112	Heat Exchanger										x
*	Housing - Blower 10-10	x	x				x	x	x		
*	Housing - Blower 12-10			x						x	x
*	Housing - Blower 140-14				x	x					

*Supply model number and serial number when ordering parts.

PARTS LIST
OIL FURNACES

1/88

PART NO.	DESCRIPTION	F81	F97	NB120	C1	C2	F86CF	F100CF	F86H	F120H	F120L
8102-001	Motor 1/6 hp	x									
8104-002	Motor 1/4 hp		x				x	x	x		
8104-001	Motor 1/4 hp			x							
8105-001	Motor 1/3 hp				x	x					
8105-002	Motor 1/3 hp									x	x
8106-001	Motor 1/2 hp									x	
8200-014	Motor Adj. Kit	x	x	x	x	x	x	x	x	x	x
9011-001	Nozzle (.75 80° A)	x					x		x		
9011-002	Nozzle (.85 80° A)		x					x			
9011-004	Nozzle (1.10 80° A)			x						x	x
9011-006	Nozzle (1.25 80° A)				x						
9011-009	Nozzle (1.65 80° A)					x					
5501-013	Pulley-Blower 7 x 3/4	x		x							
5501-012	Pulley-Blower 6 x 3/4		x				x	x	x	x	x
5501-014	Pulley-Blower 8 x 1				x	x					
5501-015	Pulley-Motor 3-1/4 x 1/2	x	x	x	x	x	x	x	x	x	x
8400-001	Relay	x	x	x	x	x	x	x	x	x	x
8400-002	Sensor Cell	x	x	x	x	x	x	x	x	x	x
1912-001	Shaft-Blower 15-3/4 x 3/4	x	x	x			x	x	x	x	x
1912-006	Shaft-Blower 20x1				x	x					
8402-024	Upper Limit L180-4						x	x			
5153-002	Washer - Neoprene	x	x	x			x	x	x	x	x
5153-003	Washer - Neoprene				x	x					
5152-006	Wheel - Blower 10-10	x	x				x	x	x		
5152-022	Wheel - Blower 11-10			x						x	x
5152-025	Wheel - Blower 15-12 BD				x	x					
9020-010	MSR 6" Oil Burner		x					x			
9020-009	MSR 8" Oil Burner	x					x		x		
9020-012	MSR 6" Oil Burner			x	x						
9020-011	MSR 8" Oil Burner									x	x
9020-013	MSR 6" Oil Burner					x					
1921-010	Front Plate Gasket	x	x				x	x	x		
1921-012	Front Plate Gasket									x	x
1921-014	Front Plate Gasket			x							
1921-015	Front Plate Gasket				x						
1921-016	Front Plate Gasket					x					
1921-008	2" Dia. Clean-out Gasket	4	4	4	4	4	4	4	2	4	4
8620-007	Clean-out Plug Kit	4	4	4	4	4	4	4	2	4	4
4047-110	Wiring Diagram		x								

Note: For oil burner parts, see oil burner parts list.

PARTS LIST
HORIZONTAL SERIES
OIL FURNACES

1/88

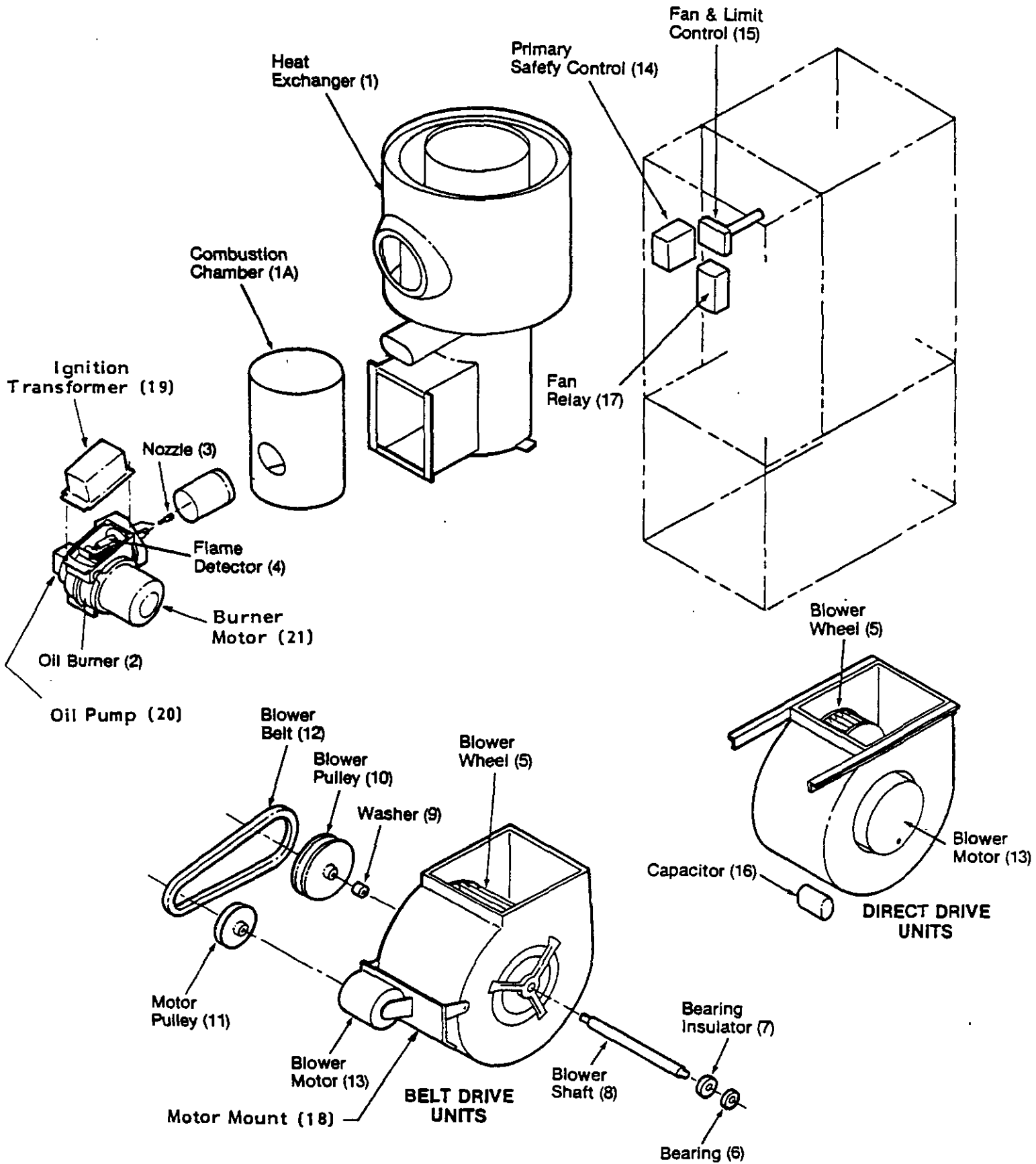
PART NO.	DESCRIPTION	S0175	S0230	S0350
HE175S	Heat Exchanger Steel Body	x		
HE203S	Heat Exchanger Steel Body		x	
HE350S	Heat Exchanger Steel Body			x
AGOF	Door Frame Gasket 1/8 x 1-1/4	x	x	x
216061	Lower Oil Burning Mounting Door	x	x	x
216062	Upper Oil Burner Mounting Door	x	x	x
Bl212	Blower Assembly w/Wheel	x		
Bl215	Blower Assembly w/Wheel		x	
Bl218	Blower Assembly w/Wheel			x
Bl212MB	Blower Motor Mount Bar	x		
Bl215MB	Blower Motor Mount Bar		x	
Bl218MB	Blower Motor Mount Bar			x
BHB	Blower Motor Adj. Hardware	x	x	x
L4064	Fan & Limit Control	x	x	x
T87F	Room Thermostat	x	x	x
BM 1/3hp	Blower Motor	x		
BM 1/2hp	Blower Motor		x	
BM 3/4hp	Blower Motor			x
20x25x1	Air Filter	x		
15x25x1	Air Filter		x	
16x16x1	Air Filter			x
DH01	Door Handles w/Keepers	x	x	x
FC8	Finish Collar	x	x	
FC9	Finish Collar			x
BD06	Blower Door (Less Handles)	x		
BD07	Blower Door (Less Handles)		x	
BD08	Blower Door (Less Handles)			x
F104	Fire Brick	x		
F150	Fire Brick		x	
F350	Fire Brick			x
VER2	Vermiculite	x		
VER3	Vermiculite		x	
VER4	Vermiculite			x
HTC	Hi Temp Cement	x	x	x
BDP175S	Blower Division Panel	x		
BDP230S	Blower Division Panel		x	
BDP350S	Blower Division Panel			x
CB175S	Cabinet Base	x		
CB230S	Cabinet Base		x	
CB350S	Cabinet Base			x
BP7	Blower Drive Pulley	x	x	
BP8	Blower Drive Pulley			x
MP01	Motor Drive Pulley	x	x	
MP02	Motor Drive Pulley			x

PARTS LIST
HORIZONTAL SERIES
OIL FURNACES

1/88

PART NO.	DESCRIPTION	S0175	S0230	S0350
WHO2	Wiring Harness (Complete)	x	x	x
FB	Fan Belt	x	x	x
CTS175	Cabinet Top	x		
CTS230	Cabinet Top		x	
CTS350	Cabinet Top			x
FP175S	Front Panel	x		
FP230S	Front Panel		x	
FP350S	Front Panel			x
BD06	Blower Door	x		
BD07	Blower Door		x	
BD08	Blower Door			x
RSP175S	Right Side Panel	x		
RSP230S	Right Side Panel		x	
RSP350S	Right Side Panel			x
LSP175S	Left Side Panel	x		
LSP230S	Left Side Panel		x	
LSP350S	Left Side Panel			x
IDP175S	Inner Division Panel	x		
IDP230S	Inner Division Panel		x	
IDP350S	Inner Division Panel			x
RP175S	Rear Panel	x		
RP230S	Rear Panel		x	
RP350S	Rear Panel			x
SR01	Support Rails	x	x	x
PA02	W.A. Plenum Adapter	x		
PA03	W.A. Plenum Adapter		x	
PA04	W.A. Plenum Adapter			x

OH SERIES OIL HI-BOY



PARTS LIST
OH SERIES HI-BOY OIL FURNACES

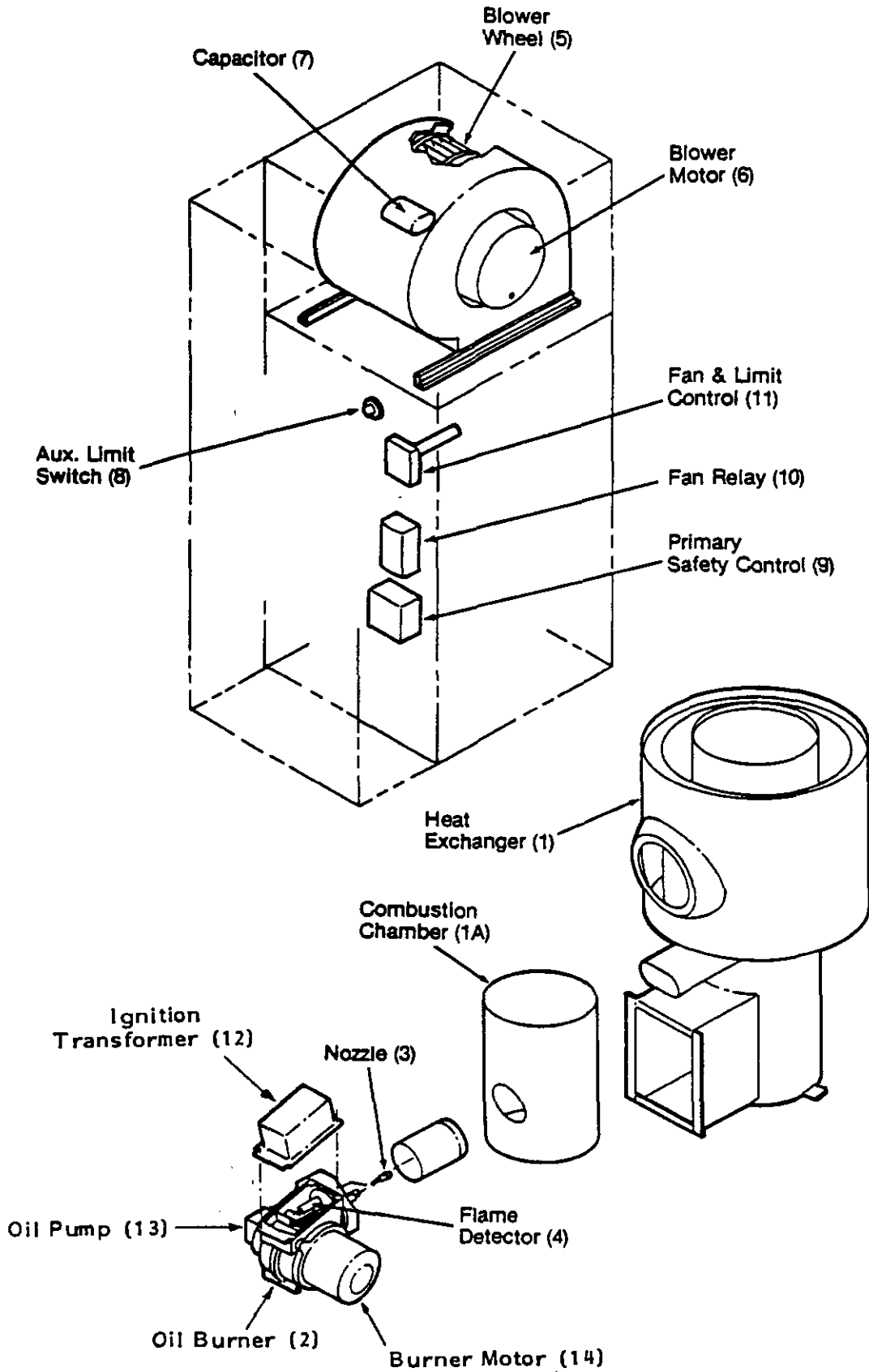
1 / 88

Part No.	Illustration No.	Description	OH 95D36A	OH125B48A
9045-009	1	Heat Exchanger Assembly	x	
9045-010	1	Heat Exchanger Assembly		x
9045-013	1A	Combustion Chamber	x	
9045-008	1A	Combustion Chamber		x
9045-018	2	Oil Burner 1-Stage	x	x
9045-021	3	Nozzle .85 GPH 80° Solid	x	
9045-022	3	Nozzle 1.10 GPH 80° Solid		x
9045-038	4	Flame Detector	x	x
5152-013	5	Blower Wheel 10-8 D.D.	x	
5152-006	5	Blower Wheel 10-10 B.D.		x
9045-025	6	Bearing 3/4 inch		2
9045-026	7	Insulator - Bearing		2
9045-028	8	Blower Shaft 15-5/8		x
9045-031	9	Washer - Plastic		2
5501-012	10	Blower Pulley 6 x 3/4		x
5501-003	11	Motor Pulley 4 x 1/2		x
5601-004	12	Belt 39"		x
8106-001	13	Motor 1/2 hp 1725 RPM 1/2"		(1)
9045-001	13	Motor 1/3 hp D.D. 1075 RPM 2 speed	x	
8400-001	14	Primary Safety Control	x	x
8402-007	15	Fan/Limit Control 8"	x	x
8552-001	16	Capacitor 4MFD 370V	x	
8201-006	17	40VA Transformer & Relay	x	x
9045-032	18	Motor Mount		x
8200-033	NS	D.D. Motor Mount - Band	x	
9045-039	NS	D.D. Motor Mount - Arms	3	
9045-037	19	Ignition Transformer	x	x
9021-003	20	Oil Pump 1-stage	x	x
8101-003	21	Burner Motor 1/8 hp 3450 RPM	x	x

(1) Must also use 5501-003 4 x 1/2 pulley.

NS - Not Shown

OC SERIES OIL COUNTERFLOW

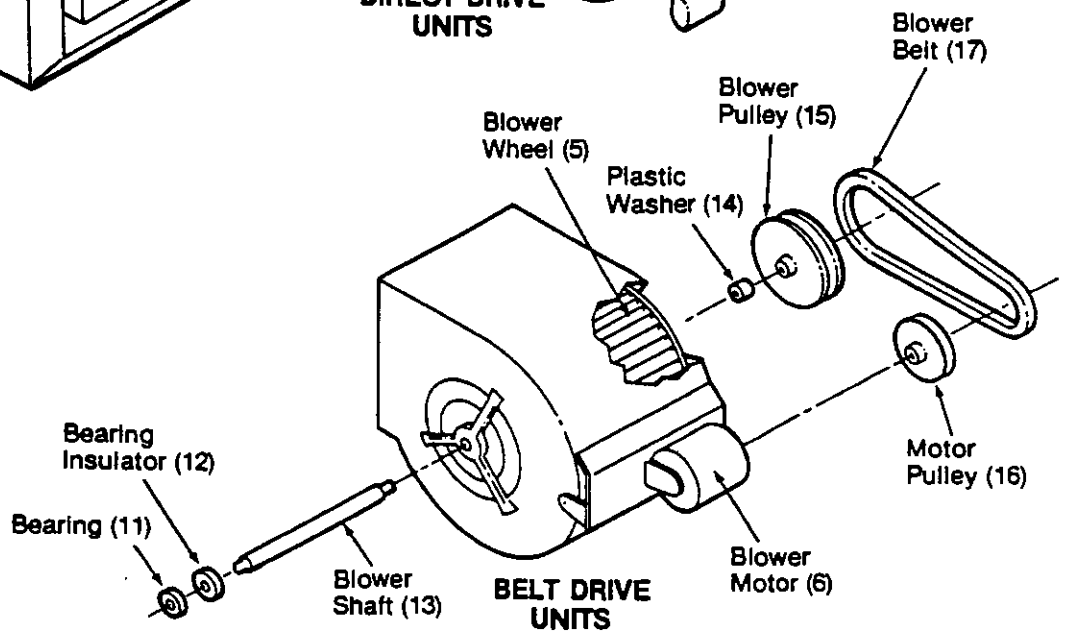
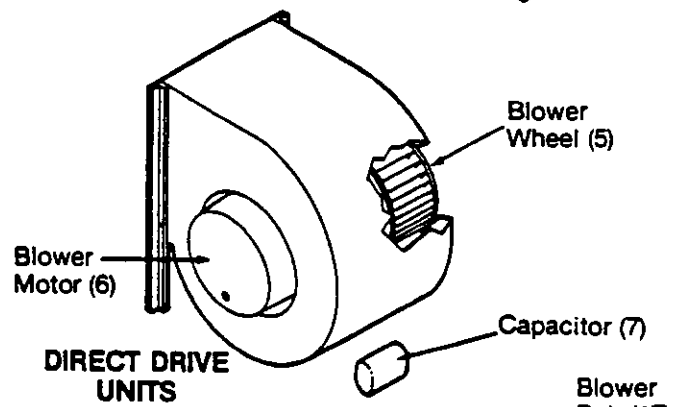
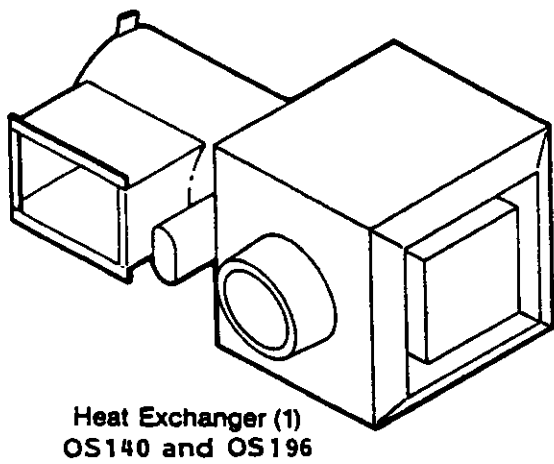
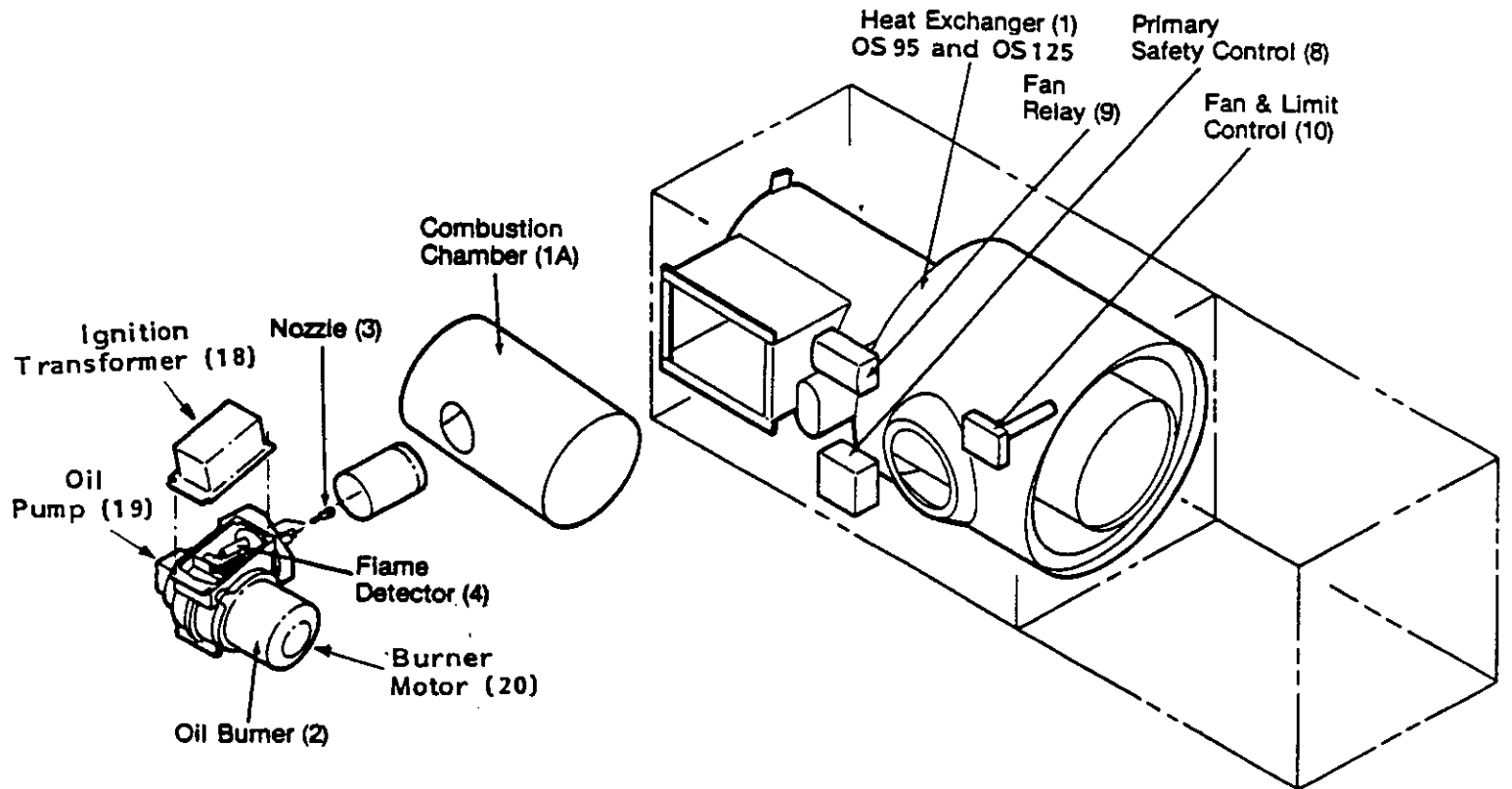


PARTS LIST
OC SERIES COUNTERFLOW OIL FURNACES

1/88

Part No.	Illustration No.	Description	OC95D36A	OC125D48A
9045-009	1	Heat Exchanger Assembly	x	
9045-010	1	Heat Exchanger Assembly		x
9045-013	1A	Combustion Chamber	x	
9045-008	1A	Combustion Chamber		x
9045-018	2	Oil Burner 1-Stage	x	x
9045-021	3	Nozzle .85 GPH 80° Solid	x	
9045-022	3	Nozzle 1.10 GPH 80° Solid		x
9045-038	4	Flame Detector	x	x
5152-013	5	Blower Wheel 10-8 D.D.	x	
5152-014	5	Blower Wheel 10-9 D.D.		x
9045-001	6	Motor 1/3 hp D.D. 1075 RPM 2-speed	x	
9045-002	6	Motor 1/2 hp D.D. 1050 RPM 3-speed		x
8552-001	7	Capacitor 4MFD 370V	x	
8552-002	7	Capacitor 5MFD 370V		x
8402-015	8	Aux. Limit Switch	x	x
8400-001	9	Primary Safety Control	x	x
8201-006	10	40VA Transformer & Relay	x	x
8402-007	11	Fan/Limit Control 8"	x	x
9045-037	12	Ignition Transformer	x	x
9045-003	13	Oil Pump	x	x
8101-003	14	Burner Motor 1/8 hp 3450 RPM	x	x
8200-033	NS	D.D. Motor Mount - Band	x	x
9045-039	NS	D.D. Motor Mount - Arms	3	3

NS - Not Shown



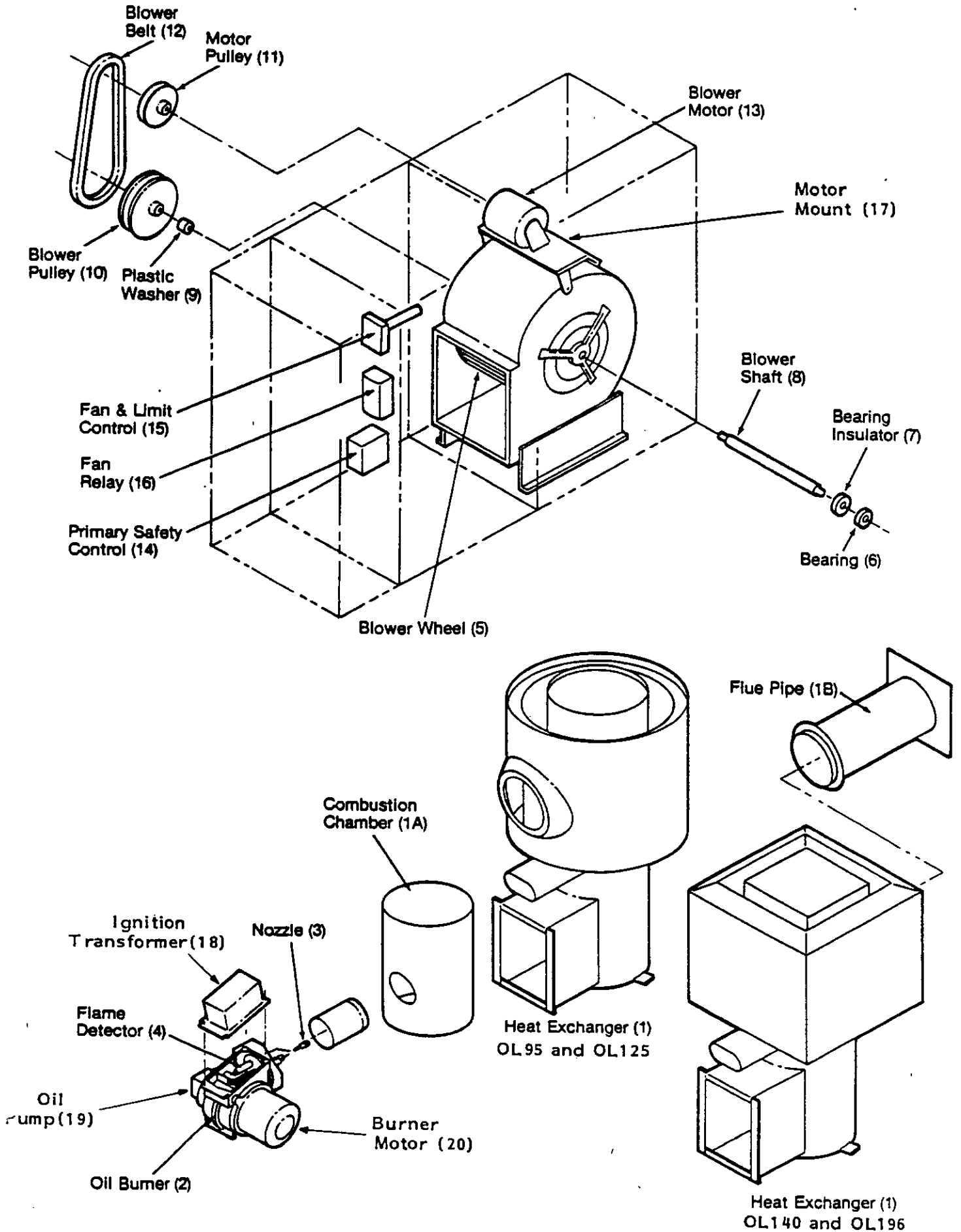
PARTS LIST
OS SERIES HORIZONTAL OIL FURNACES

1/88

Part No.	Illustration No.	Description	OS95D36A	OS125D48A	OS140B48A	OS196B60A
9045-009	1	Heat Exchanger Assembly	x			
9045-010	1	Heat Exchanger Assembly		x		
9045-042	1	Heat Exchanger Assembly			x	
9045-043	1	Heat Exchanger Assembly				x
9045-044	NS	Cover Radiator Cleanout			x	x
9045-016	NS	Gasket Cover Cleanout			x	x
9045-013	1A	Combustion Chamber	x			
9045-008	1A	Combustion Chamber		x		
9045-045	1A	Combustion Chamber			x	
9045-046	1A	Combustion Chamber				x
9045-018	2	Oil Burner 1-Stage	x	x		
9045-047	2	Oil Burner 1-Stage			x	
9045-048	2	Oil Burner 1-Stage				x
9045-021	3	Nozzle .85 GPH 80° Solid	x			
9045-022	3	Nozzle 1.10 GPH 80° Solid		x		
9045-023	3	Nozzle 1.25 GPH 70° Solid			x	
9045-024	3	Nozzle 1.75 GPH 70° Solid				x
9045-038	4	Flame Detector	x	x	x	x
5152-013	5	Blower Wheel 10-8 D.D.	x			
5152-014	5	Blower Wheel 10-9 D.D.		x		
5152-006	5	Blower Wheel 10-10 B.D.			x	
5152-005	5	Blower Wheel 12-12 B.D.				x
9045-001	6	Motor 1/3 hp D.D. 1075 2-speed	x			
9045-002	6	Motor 1/2 hp D.D. 1050 3-speed		x		
8107-001	6	Motor 3/4 hp B.D. 1725 RPM 5/8"			x	x
8552-001	7	Capacitor 4 MFD 370V	x			
8552-002	7	Capacitor 5 MFD 370V		x		
8400-001	8	Primary Safety Control	x	x	x	x
8201-006	9	40VA Transformer & Relay	x	x	x	x
8402-001	10	Fan/Limit Control 11"	x	x	x	x
9045-025	11	Bearing 3/4"			2	2
9045-026	12	Insulator - Bearing			2	2
	13	Blower Shaft 15-5/8"			1	
	13	Blower Shaft 18"				1
9045-031	14	Washer - Plastic			2	2
5501-017	15	Blower Pulley 5 x 3/4			x	x
5501-003	16	Motor Pulley 4 x 1/2			x	
9045-036	16	Motor Pulley 3-1/4 x 5/8				x
5601-005	17	Belt 40"			x	
5601-007	17	Belt 42"				x
8200-033	NS	D.D. Motor Mount - Band	x	x		
9045-039	NS	D.D. Motor Mount - Arms	3	3		
9045-037	18	Ignition Transformer	x	x	x	x
9021-003	19	Oil Pump 1-stage	x	x	x	x
8101-003	20	Burner Motor 1/8 hp 3450 RPM	x	x	x	x

NS - Not Shown

OL SERIES OIL LO-BOY

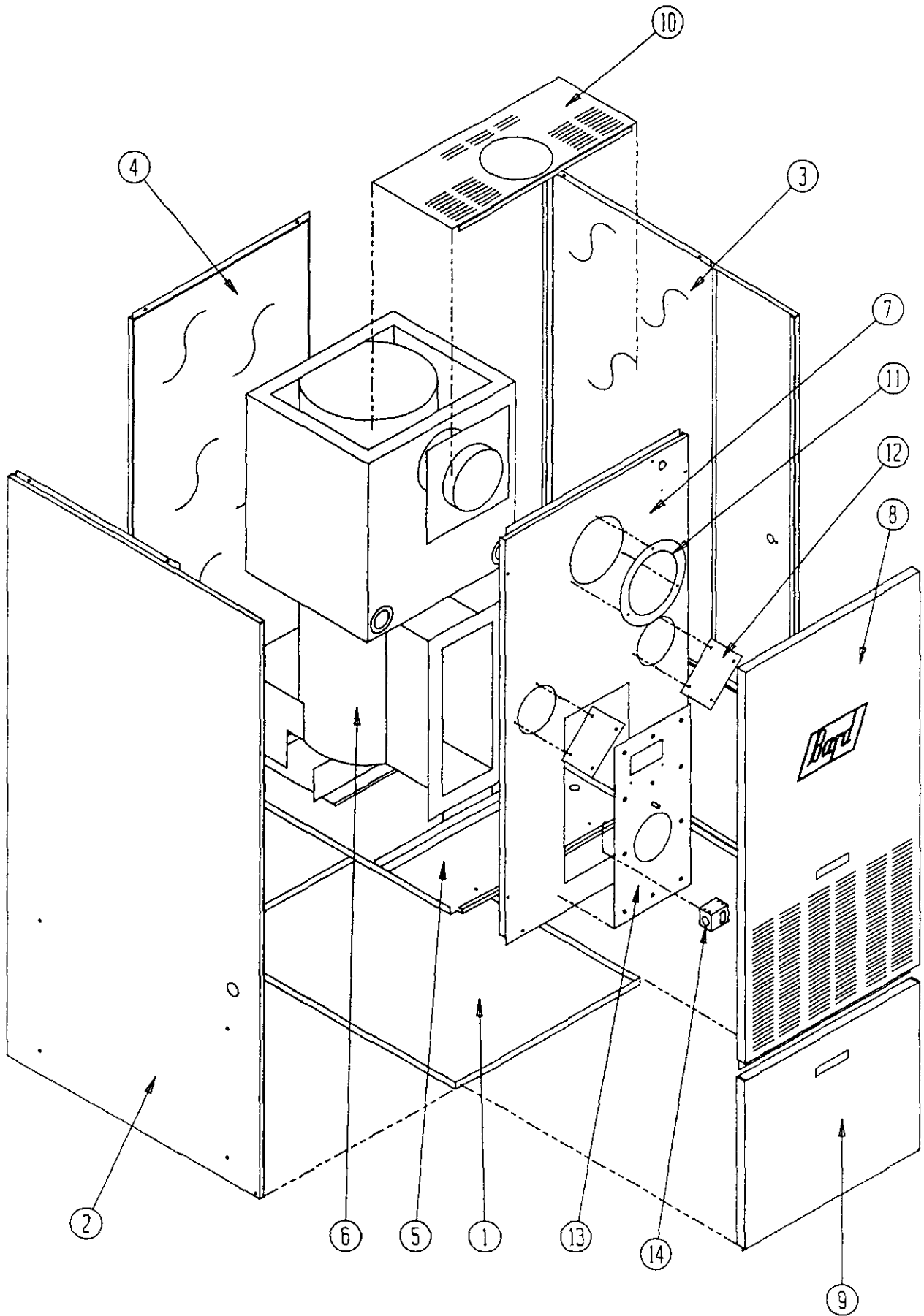


PARTS LIST
OL SERIES LO-BOY OIL FURNACES

1/8"

Part No.		Description	OL95B36A	OL125B48A	OL140B48A	OL196B60A
9045-009	1	Heat Exchanger Assembly	x			
9045-010	1	Heat Exchanger Assembly		x		
9045-011	1	Heat Exchanger Assembly			x	
9045-012	1	Heat Exchanger Assembly				x
9045-008	1A	Combustion Chamber		x		
9045-013	1A	Combustion Chamber	x			
9045-014	1A	Combustion Chamber			x	x
9045-015	1B	Assembly Cleanout Cover			x	x
9045-016	1B	Gasket Cleanout			x	x
9045-017	1B	Flue Pipe Weldment			x	
9045-018	2	Oil Burner 1-Stage	x	x		
9045-019	2	Oil Burner 1-Stage			x	
9045-020	2	Oil Burner 1-Stage				x
9045-020	3	Nozzle .85 GPH 80° Solid	x			
9045-022	3	Nozzle 1.10 GPH 80° Solid		x		
9045-023	3	Nozzle 1.25 GPH 70° Solid			x	
9045-024	3	Nozzle 1.75 GPH 70° Solid				x
9045-038	4	Flame Detector	x	x	x	x
9045-003	5	Blower Wheel 10-8 B.D.	x			
5152-006	5	Blower Wheel 10-10 B.D.		x		
9045-004	5	Blower Wheel 12-9 B.D.			x	
9045-005	5	Blower Wheel 12-12 B.D.				x
9045-025	6	Bearing 3/4 inch	2	2	2	2
9045-026	7	Insulator - Bearing	2	2	2	2
9045-027	8	Blower Shaft - 13"	x			
9045-028	8	Blower Shaft - 15-5/8"		x		
9045-029	8	Blower Shaft - 14-3/8"			x	
9045-030	8	Blower Shaft - 18"				x
9045-031	9	Washer - Plastic	2	2	2	2
5501-012	10	Blower Pulley 6 x 3/4	x	x	x	x
5501-003	11	Motor Pulley 4 x 1/2	x	x		
5501-015	11	Motor Pulley 3-1/4 x 1/2			x	
9045-036	11	Motor Pulley 3-1/4 x 5/8				x
5601-004	12	Belt 39"	x			
5601-005	12	Belt 40"		x		
5601-006	12	Belt 41"			x	x
8105-001	13	Motor 1/3 hp 1725 RPM 1/2"	x			
8106-001	13	Motor 1/2 hp 1725 RPM 1/2"		(1)	(1)	
8107-001	13	Motor 3/4 hp 1725 RPM 5/8"				x
8400-001	14	Primary Safety Control	x	x	x	x
8402-007	15	Fan/Limit Control 8"	x	x		x
8402-001	15	Fan/Limit Control 11"			x	
8201-006	16	40VA Transformer & Relay	x	x	x	x
9045-032	17	Motor Mount	x			
9045-033	17	Motor Mount		x		
9045-034	17	Motor Mount			x	
9045-035	17	Motor Mount				x
9045-037	18	Ignition Transformer	x	x	x	x
9021-003	19	Oil Pump 1-Stage 3450 RPM	x	x	x	x
8101-003	20	Burner Motor 1/8 hp 3450 RPM	x	x	x	x

(1) Must also use 5501-015 3-1/4 x 1/2 pulley.

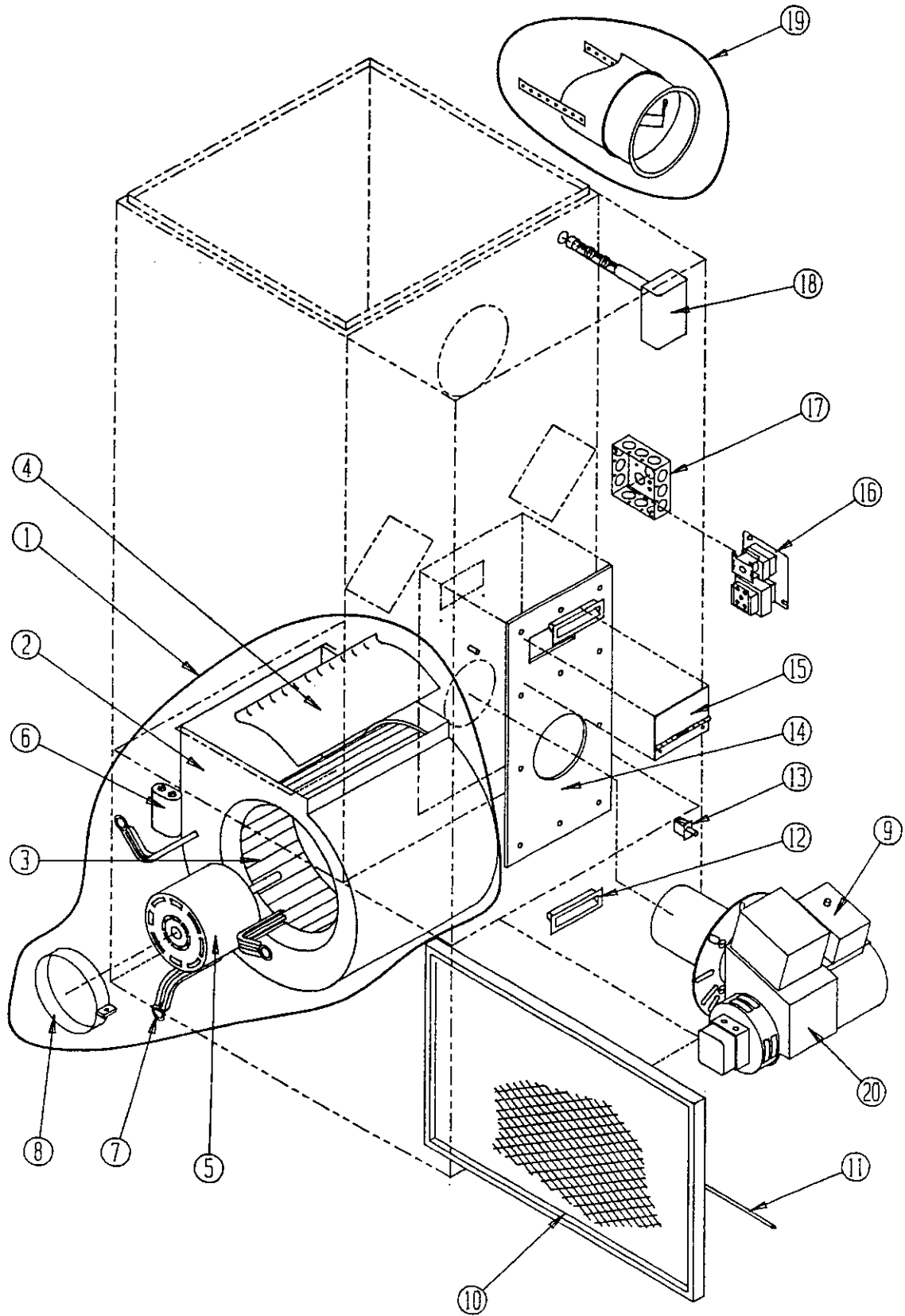


FABRICATED PARTS LIST
FH095D48A

Page: 04
Date: 11/21/88

Dwg. No.	Part No.	Description	FH095D48A
1	126-064	Lower Base	X
2	501-185	Left Side Assembly	X
3	501-184	Right Side Assembly	X
4	508-026	Back Assembly	X
5	127-150	Blower Base Assembly	X
6	171-116	Heat Exchanger Assembly	X
7	520-053	Partition Assembly	X
8	552-154	Burner Door Assembly	X
9	152-155	Blower Door	X
10	106-052	Top Fill	X
11	166-007	Smoke Pipe Collar	X
12	142-024	Cleanout Cover Plates	2
13	161-001	Front Plate Assembly	X
14	112-031	Door Switch Bracket	X

Note: Oil burners come complete with nozzle, cad cell, and primary safety control.

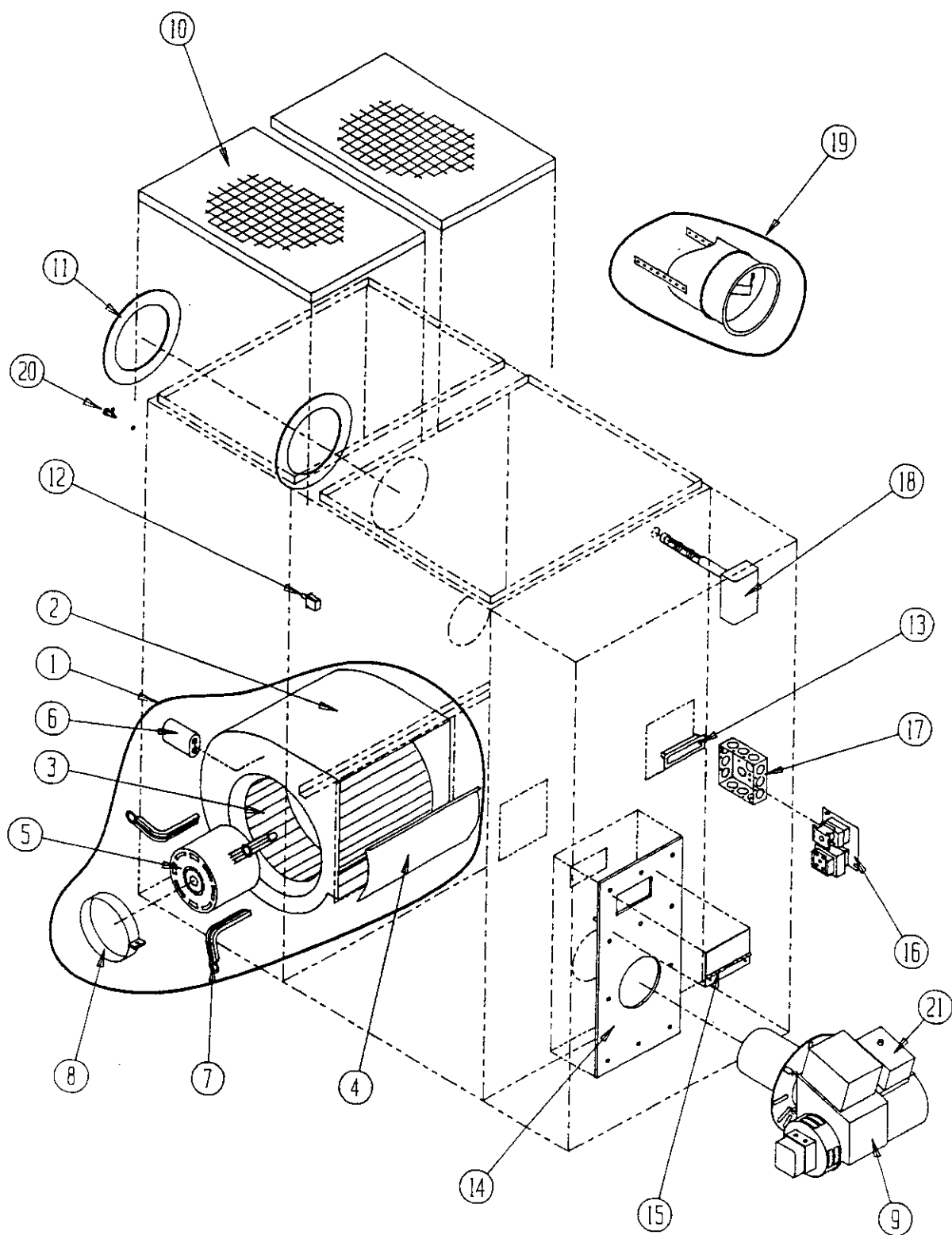


MECHANICAL PARTS LIST
FH095D48A

Page: 06
Date: 11/21/88

Dwg. No.	Part No.	Description	FH095D48A
1	900-093	Blower Assembly	x
2	151-041	Blower Housing	x
3	5152-015	Blower Wheel	x
4	144-088	Blower Diffuser	x
5	8106-018	Motor	x
6	8552-004	Capacitor	x
7	8200-034	Motor Mount Arm	3
8	8200-033	Motor Mount Band	x
9	8400-001	Burner Primary Control	x
10	7003-004	Permanent Filter 16x25x1	x
11	5401-002	Spring	x
12	1171-025	Flush Plastic Door Pull	x
13	8406-013	Door Switch	x
14	1921-010	Front Plate Gasket	x
15	5400-003	Inspection Door Hinge	2
16	8201-006	Fan Center (Two Speed Relay)	x
17	8614-001	Square Outlet Box 4"	x
18	8402-043	Fan and Limit Control	x
19	8601-031	Barometric Damper	x
20	9020-015	Burner Assembly	x
	1921-008	2" Dia. Cleanout Gasket	2
	7090-005	Combustion Chamber	x
	8400-002	Cad Cell	x
	8550-003	Capacitor Bracket	x
	8620-007	Cleanout Plug Kit	2
	8611-002	Capacitor Boot	x
	9011-001	Nozzle .75 80 degree A	x
	9011-002	Nozzle .85 80 degree A	x

Note: Oil burners come complete with nozzle, cad cell, and primary safety control.

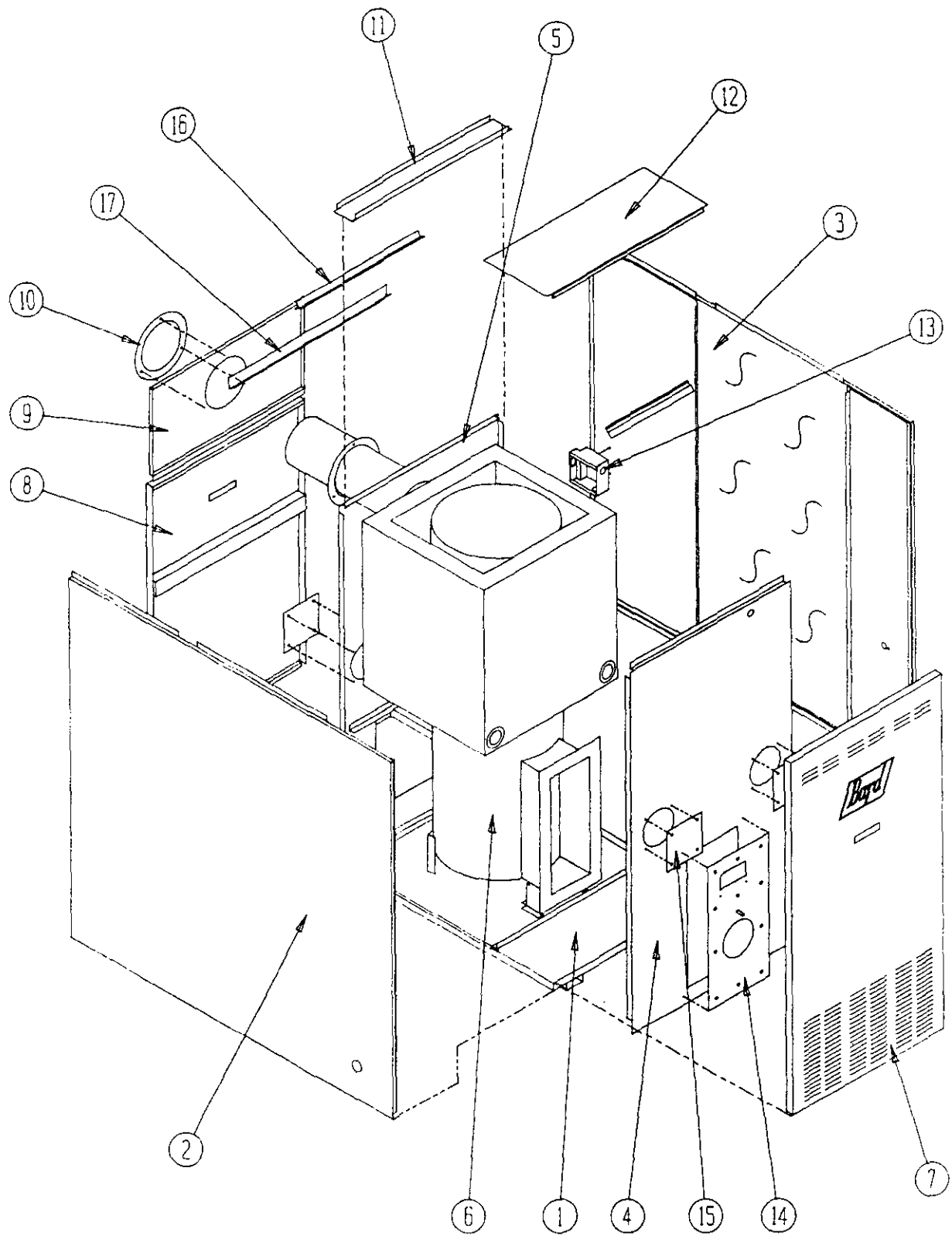


FABRICATED PARTS LIST
 FL110D48A

Page: 08
 Date: 11/21/88

Dwg. No.	Part No.	Description	FL110D48A
1	127-152	Base Assembly	X
2	501-171	Left Side Assembly	X
3	501-191	Right Side Assembly	X
4	520-134	Burner Partition Assembly	X
5	121-135	Blower Partition Assembly	X
6	171-114	Heat Exchanger Assembly	X
7	152-129	Burner Door Assembly	X
8	552-158	Blower Door Assembly	X
9	108-022	Upper Back	X
10	166-007	Smoke Pipe Collar	X
11	164-511	Top Channel	X
12	106-044	Top Fill	X
13	116-115	Junction Box	X
14	161-001	Front Plate Assembly	X
15	142-024	Cleanout Cover Plates	4
16	105-078	Center Filter Angle Assembly	X
17	130-029	Filter Seal	X

Note: Oil burners come complete with nozzle, cad cell, and primary safety control.



MECHANICAL PARTS LIST
EL110D48A

Page: 010
Date: 11/21/88

Dwg. No.	Part No.	Description	EL110D48A
1	900-095	Blower Assembly	X
2	151-041	Blower Housing	X
3	5152-015	Blower Wheel	X
4	144-088	Blower Diffuser	X
5	8106-018	Motor	X
6	8552-004	Capacitor	X
7	8200-034	Motor Mount Arm	3
8	8200-033	Motor Mount Band	X
9	9020-016	Burner Assembly	X
10	7003-016	Permanent Filter 13x20x1	2
11	1921-006	Fiberfrax Gasket	X
12	8406-013	Door Switch	X
13	1171-025	Flush Plastic Door Pull	X
14	1921-010	Front Plate Gasket	X
15	5400-003	Inspection Door Hinge	X
16	8201-006	Fan Center (Two Speed Relay)	X
17	8614-001	Square Outlet Box 4"	X
18	8402-043	Fan and Limit Control	X
19	8601-031	Barometric Damper	X
20	1171-011	Slotted Flush Door Latch	X
21	8400-001	Burner Primary Control	X
	1921-008	2" Dia. Cleanout Gasket	4
	7090-005	Combustion Chamber	X
	8400-002	Cad Cell	X
	8550-003	Capacitor Bracket	X
	8611-002	Capacitor Boot	X
	8620-007	Cleanout Plug Kit	4
	9011-002	Nozzle .85 80 degree A	X
	9011-003	Nozzle 1.00 80 degree A	X

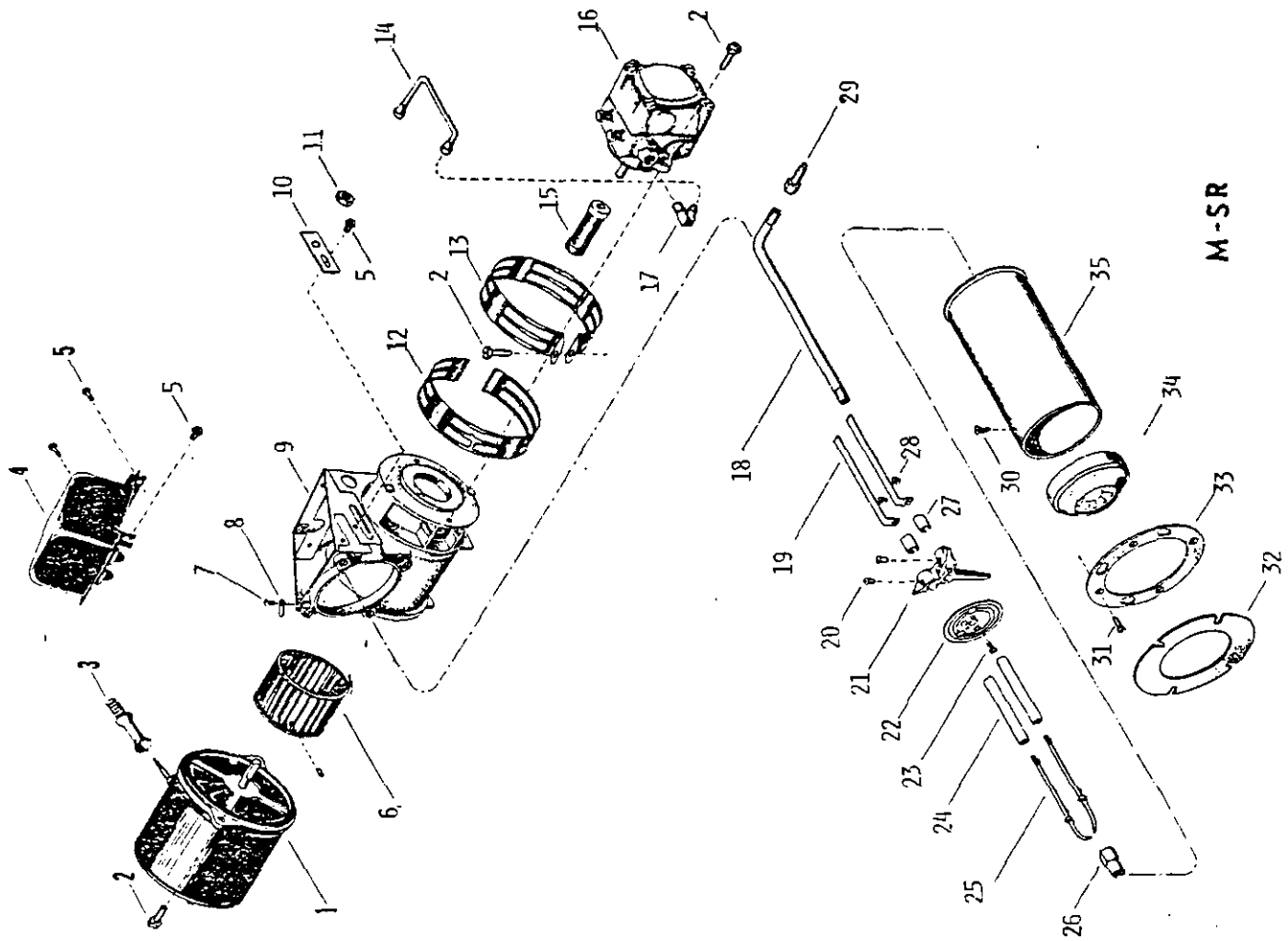
Note: Oil burners come complete with nozzle, cad cell, and primary safety control.

MSR BURNER

1/88

Item Number	Description	9020-009 MSR 8"	9020-010 MSR 6"	9020-011 MSR 8"	9020-012 MSR 6"	9020-013 MSR 6"
1	Motor 1/8 hp - 3450 RPM	8101-003	8101-003	8101-003	8101-003	8101-003
2	Screw	9021-085	9021-085	9021-085	9021-085	9021-085
3	Motor Cord Cover	9021-078	9021-078	9021-078	9021-078	9021-078
4	Transformer	8407-030	8407-030	8407-030	8407-030	8407-030
5	Screw	9021-081	9021-081	9021-081	9021-081	9021-081
6	Fan	9021-006	9021-006	9021-006	9021-006	9021-006
7	Trans. Clip Screw	9021-084	9021-084	9021-084	9021-084	9021-084
8	Trans.-Clip	9021-008	9021-008	9021-008	9021-008	9021-008
9	Fan Housing	9021-010	9021-010	9021-010	9021-010	9021-010
10	Oil Line Slot Cover	9021-015	9021-015	9021-015	9021-015	9021-015
11	Oil Line Locknut	9021-080	9021-080	9021-080	9021-080	9021-080
12	Inner Air Adjusting Band	9021-012	9021-012	9021-012	9021-012	9021-012
13	Outer Air Adjusting Band	9021-014	9021-014	9021-014	9021-014	9021-014
14	Oil Line Assembly	9021-018	9021-018	9021-018	9021-018	9021-018
15	Coupling	9021-017	9021-017	9021-017	9021-017	9021-017
16	Fuel Unit	9021-003	9021-003	9021-003	9021-003	9021-003
17	Oil Line Elbow	9021-019	9021-019	9021-019	9021-019	9021-019
18	Oil Pipe	9021-024	9021-024	9021-024	9021-024	9021-024
19	Buss Bar	9021-032	9021-033	9021-032	9021-033	9021-033
20	Electrode Support Screw	9021-079	9021-079	9021-079	9021-079	9021-079
21	Electrode Support	9021-035	9021-035	9021-035	9021-035	9021-035
22	Baffle Plate Δ	9021-040	9021-040	9021-040	9021-040	9021-040
23	Baffle Plate Screw	9021-076	9021-076	9021-076	9021-076	9021-076
24	Insulator	9021-044	9021-044	9021-044	9021-044	9021-044
25	Electrode Stem	9021-046	9021-046	9021-046	9021-046	9021-046
26	Nozzle Adapter	9021-043	9021-043	9021-043	9021-043	9021-043
27	Insulator Bushing	9021-034	9021-034	9021-034	9021-034	9021-034
28	Pin Nut	9021-075	9021-075	9021-075	9021-075	9021-075
29	Oil Line Fitting	9021-020	9021-020	9021-020	9021-020	9021-020
30	Air Cone Screw	9021-053	9021-053	9021-053	9021-053	9021-053
31	Flange Mounting Screw	9021-060	9021-060	9021-060	9021-060	9021-060
32	Gasket	9021-073	9021-073	9021-073	9021-073	9021-073
33	Mounting Flange	9021-059	9021-059	9021-059	9021-059	9021-059
34	Air Cone	9021-056	9021-056	9021-056	9021-056	9021-056
35	Air Tube	9021-051	9021-050	9021-051	9021-050	9021-050
	Gun Assy. Δ (Items 18 thru 29)	9021-066	9021-067	9021-066	9021-067	9021-067

Δ Break baffle plate to 3" dia. on 9020-011 and 9020-012 burners.
 Break baffle plate to 2" dia. on 9020-013 burner.

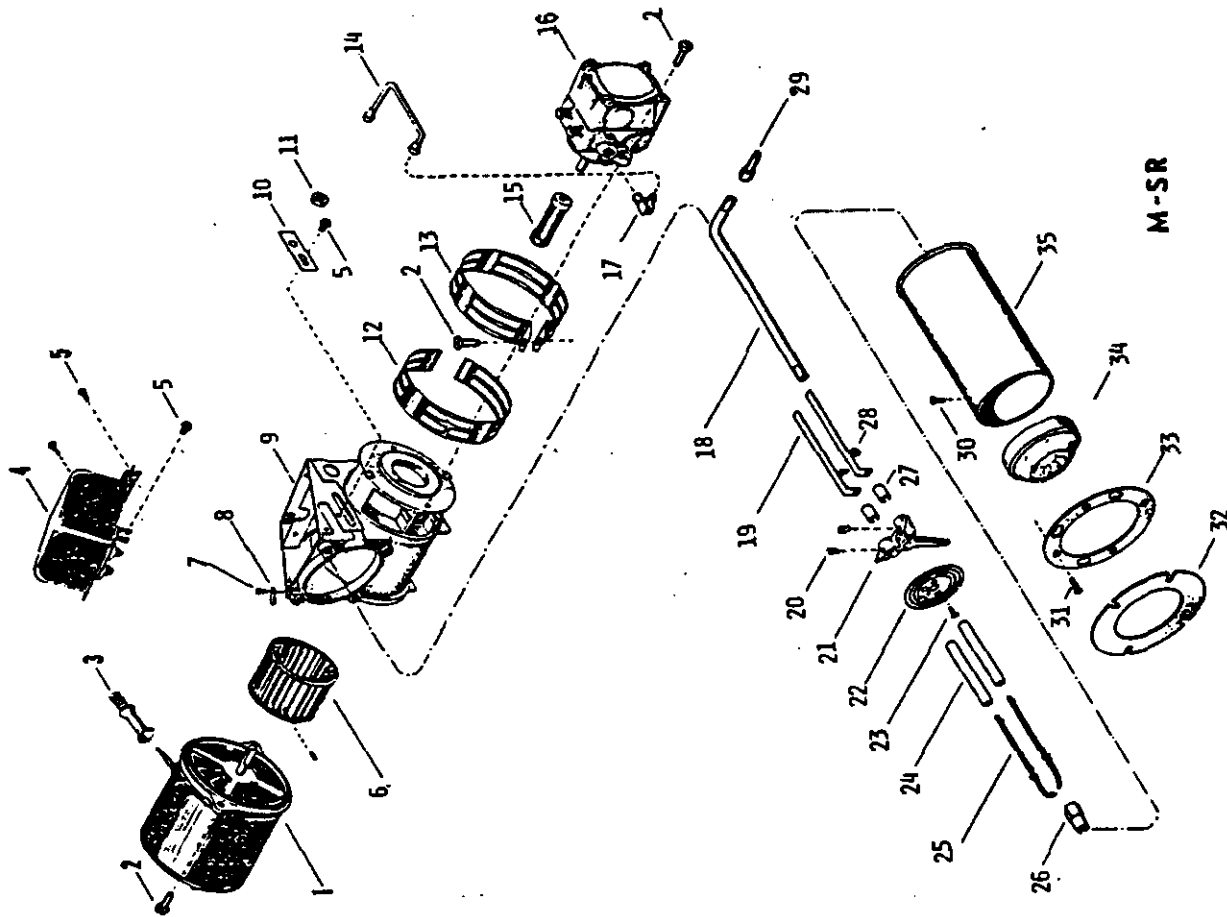


M-SR

MSR BURNER

Item	Description	9020-015 MSR 8"	9020-016 MSR 6"
1	Motor 1/8 hp--3450 RPM	8101-003	8101-003
2	Screw	9021-085	9021-085
3	Motor Cord Cover	9021-078	9021-078
4	Transformer	8407-030	8407-030
5	Screw	9021-081	9021-081
6	Fan	9021-006	9021-086
7	Trans. Clip Screw	9021-084	9021-084
8	Trans. Clip	9021-008	9021-008
9	Fan Housing	9021-010	9021-010
10	Oil Line Slot Cover	9021-015	9021-015
11	Oil Line Locknut	9021-080	9021-080
12	Inner Air Adjusting Band	9021-012	9021-012
13	Outer Air Adjusting Band	9021-014	9021-014
14	Oil Line Assembly	9021-018	9021-018
15	Coupling	9021-017	9021-017
16	Fuel Unit	9021-003	9021-003
17	Oil Line Elbow	9021-019	9021-019
18	Oil Pipe	9021-024	9021-026
19	Buss Bar	9021-032	9021-033
20	Electrode Support Screw	9021-079	9021-079
21	Electrode Support	9021-035	9021-035
22	Baffle Plate 1	9021-040	9021-040
23	Baffle Plate Screw	9021-076	9021-076
24	Insulator	9021-044	9021-044
25	Electrode Stem	9021-046	9021-046
26	Nozzle Adapter	9021-043	9021-043
27	Insulator Bushing	9021-034	9021-034
28	Palnut	9021-075	9021-075
29	Oil Line Fitting	9021-020	9021-020
30	Air Cone Screw	9021-053	9021-053
31	Flange Mounting Screw	9021-060	9021-060
32	Gasket	9021-073	9021-073
33	Mounting Flange	9021-059	9021-059
34	Air Cone	9021-056	9021-056
35	Air Tube	9021-053	9021-050
	Gun Assembly 1 (Items 18 thru 29)		

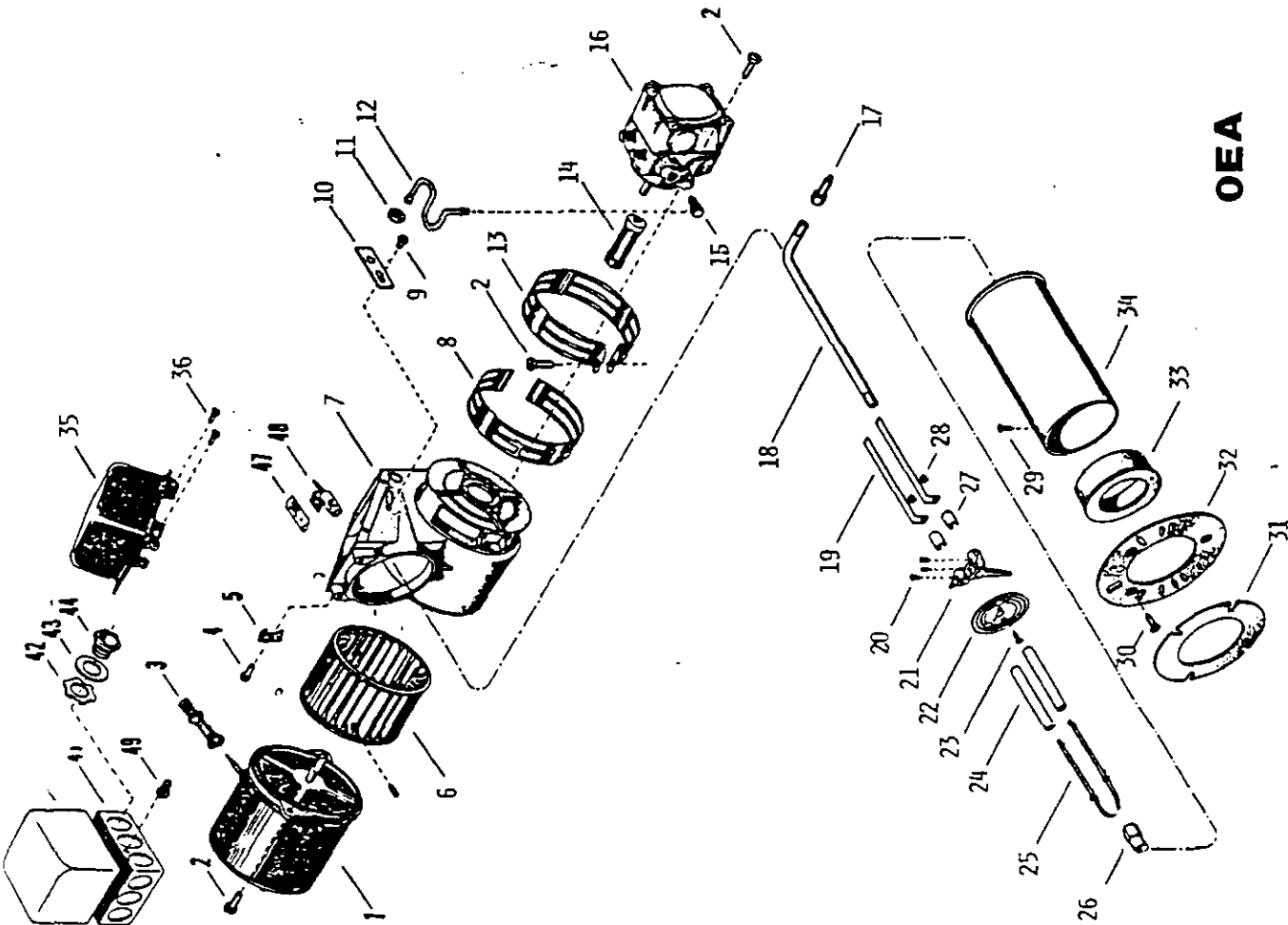
Nozzle, cad cell and primary safety control found on preceeding page.



OEA BURNER

1/88

Item Number	Description	9020-003 OEA 8"	9020-008 OEA 6"
1	Motor 1/8 hp 1725 RPM	8101-002	8101-002
2	Screw	9021-085	9021-085
3	Motor Cord Cover	9021-077	9021-077
4	Screw	9021-083	9021-083
5	Trans. Hold Down Clip	9021-007	9021-007
6	Fan	9021-005	9021-005
7	Fan Housing	9021-009	9021-009
8	Inner Air Adjusting Band	9021-011	9021-011
9	Screw	9021-081	9021-081
10	Oil Line Slot Cover	9021-015	9021-015
11	Oil Line Locknut	9021-080	9021-080
12	Oil Line Assembly	9021-018	9021-018
13	Outer Air Adjusting Band	9021-013	9021-013
14	Pump Coupling	9021-016	9021-016
15	Oil Line Elbow	9021-019	9021-019
16	Fuel Unit	9021-001	9021-001
17	Oil Line Fitting	9021-020	9021-020
18	Oil Pipe	9021-022	9021-021
19	Bus Bar	9021-028	9021-027
20	Electrode Support Screw	9021-079	9021-079
21	Electrode Support	9021-035	9021-035
22	Baffle Plate	9021-037	9021-037
23	Baffle Plate Screw	9021-076	9021-076
24	Insulator	9021-044	9021-044
25	Electrode Stem	9021-045	9021-045
26	Nozzle Adapter	9021-043	9021-043
27	Insulator Bushing	9021-034	9021-034
28	Pinnut	9021-075	9021-075
29	Air Cone Screw	9021-052	9021-052
30	Flange Mounting Screw	9021-060	9021-060
31	Gasket	9021-073	9021-073
32	Flange	9021-059	9021-059
33	Air Cone	9021-054	9021-054
34	Air Tube	9021-048	9021-047
35	Transformer Hinge Screw	8407-001	8407-001
36	Gun Assembly (Items 17 thru 28)	9021-082	9021-081



OEA

PARTS LIST
ELECTRIC FURNACES

Page: R1
Date: 05/10/89

Part No.	Description	EFC10-1	EFC10-1-B	EFC15-1	EFC20-1	EFC25-1	EFC30-1
*	Blower Housing 10-7		X	X	X		
*	Blower Housing 10-8	X					
*	Blower Housing 10-9					X	X
1171-002	Door Pull	X	X	X	X	X	X
1171-011	Cabinet Latch	2	2	2	2	2	2
4016-130	Wiring Diagram	X					
4016-131	Wiring Diagram		X				
4016-140	Wiring Diagram			X			
4016-150	Wiring Diagram				X		
4016-160	Wiring Diagram					X	
4016-170	Wiring Diagram						X
5152-005	Blower Wheel DD9-8A	X					
5152-010	Blower Wheel DD10-7A		X	X	X		
5152-014	Blower Wheel DD10-9A					X	X
7003-001	Filter 10 x 20 P		2	2	2	2	2
7004-001	Filter 10 x 20	2					
8102-003	Motor 1/6 hp	X					
8105-010	Motor 1/3 hp					X	X
8105-012	Motor 1/3 hp		X	X	X		
8200-033	Motor Mount Band	X	X	X	X	X	X
8200-034	Motor Mount Arm	3				3	3
8200-036	Motor Mount Arm		3	3	3		
8201-014	Relay--Blower	X	X	X	X	X	X
8401-002	Contacto				X		X
8401-006	Capacitor	1	1	2	1	3	2
8402-015	Limit Switch L130-2.0	2	2	3	4	5	6
8402-018	Thermal Cutoff	2	2	3	4	5	6
8407-034	Transformer	X	X	X			
8407-035	Transformer				X	X	X
8552-001	Capacitor 4/370V		X	X	X		
8552-002	Capacitor 5/370V					X	X
8604-014	Heat Strip 10KW	X	X		2	X	
8604-015	Heat Strip 15KW					X	2
8607-006	Terminal Board 24V	X	X	X	X	X	X
8607-013	Terminal Block 230V	X	X				
8614-006	Fuse 30A			2		2	
8614-007	Fuse 60A			2	4	4	6
8614-013	Fuse Block 20KW				X		
8614-014	Fuse Block 25KW					X	
8614-017	Fuse Block 15KW			X			
8614-019	Fuse Block 30KW						X

*Please order by model number.

PARTS LIST
ELECTRONIC AIR CLEANER

1/88

PART NO.	DESCRIPTION	EC14	EC20
8610-015	Electronic Cell FC37A1130	(2)	
8610-016	Electronic Cell FC37A1064		(2)
8610-017	Cell Handle 137266	(2)	(2)
8610-018	Protective Screen 136388	(2)	
8610-019	Protective Screen 136389		(2)
8610-020	Cell Key 136518	x	x
8610-021	Contact Board 136383A	(2)	(2)
8610-022	Shorting Arm 136387A	x	x
8610-023	Shorting Arm Bracket 136382A	x	x
8610-024	Shorting Arm Spring 136517	x	x
8610-025	Switch/Indicator Light 139034	x	x
8610-026	Power Supply W919A1275	x	
8610-027	Power Supply W919A1267		x
8610-028	High Voltage Transformer 135672AH	x	
8610-029	High Voltage Transformer 136572AF		x
8610-030	Resonating Capacitor 136749	x	x
8610-031	Diode 137073A	(2)	(2)
8610-032	Capacitor 136912	(2)	(2)
8610-033	Resistor 118965A	x	x
	Power Box Assembly 139963C	x	
	Power Box Assembly 139963A		x