



# 1988 Split & Packaged Parts Lists

## Pink Pages

### SPLIT SYSTEM CONDENSING UNITS

18ECQ2 18ECS2 24ECQ4 24ECS4 ---A1

30ECQ4 30ECS4 31ECQ2 31ECS2 36ECQ5 36ECS5 37ECQ1 37ECS1 37ECQ1-B 37ECQ1-C ---B1

42ECQ1 42ECS1 48ECQ2 48ECS2 60ECQ1 60ECS1 42ECQ1-B 48ECQ2-B 60ECQ1-B 42ECS1-C 48ECS2-C 60ECS1-C ---C1

24UACQB 24UACSB 30UACQA 30UACSA 36UACQA 36UACSA 36UACSA-B 42UACQA 42UACSA 42UACSA-B 48UACQA 48UACSA 48UACSA-B 60UACQA 60UACSA 60UACSA-B ---D1-D3

### SPLIT SYSTEM HEAT PUMPS

24UHPQA 30UHPQA 36UHPQA ---D4-D5

18HPQ5 24HPQ5 ---L1

30HPQ6 30HPQ6-B 30HPQ6-C 36HPQ7 36HPQ7-B 36HPQ7-C ---M1-M4

42HPQ4 42HPQ4-B 42HPQ4-C 48HPQ5 48HPQ5-B 48HPQ5-C 60HPQ5 60HPQ5-B 60HPQ5-C ---N1-N3

WQS30 WQSD30 WQS36 WQSD36 WQS50 WQSD50 ---O1

### PACKAGED AIR CONDITIONERS

P25A P25A-B P31A1 P31A1-C P36A5 P36A5-B P36A5-C ---E1-E2

P48A5 P48A5-B P48A5-C P60A6 P60A6-B P60A6-C ---F1-F2

P1024A1 P1030A1 P1036A1 P1045A1 ---G1-G2

MU30A MU36C MU42D ---H1

RPMA30A RPMA30A-B RPMA30A-C RPMA36A RPMA36A-B RPMA36A-C ---J1

RPMA42 RPMA42-B RPMA42-C RPMA48 RPMA48-B RPMA48-C RPMA60 RPMA60-B RPMA60-C ---K1-K2

### PACKAGED HEAT PUMPS

PH25 PH314 PH364 PH364-B PH364-C ---P1-P2

PH421 PH421-B PH421-C PH484 PH484-B PH484-C PH605 PH605-B PH605-C ---Q1-Q2



# 1988 Split & Packaged Parts Lists

## Pink Pages

### PACKAGED HEAT PUMPS CONTINUED

MH30B MH36B MH42B ---R1

RPMH30B RPMH30B-B RPMH30B-C RPMH36B RPMH36B-B RPMH36B-C ---S1-S2

RPMH42 RPMH42-B RPMH42-C RPMH48 RPMH48-B RPMH48-C RPMH60 RPMH60-B  
RPMH60-C ---T1-T2

WPV30 WPVD30 WPV36 WPVD36 ---U1

WPV30A WPVD30A WPV36A WPVD36A ---U2

WPV30B WPVDD30B ---U3-U4

WPV36B WPVD36B ---U5-U7

WPV53 WPVD53 WPV62 WPVD62 ---V1

WPV53A WPVD53A WPV62A WPVD62A ---V2

WPV53B WPV62B ---V3-V7

HRU2-5A ---MM1

### BLOWER COILS

B18EHQ1 B18EHQ1-A05 B18EHQ1-A10 B24EHQ1 B24EHQ1-A05 B24EHQ1-A10 B24EHQ1-A15  
B30EHQ B30EHQ-A05 B30EHQ-A10 B30EHQ-A15 ---W1

B36EHQ1 B36EHQ1-A05 B36EHQ1-A10 B36EHQ1-A15 B36EHQ1-A20 B36EHQ1-A25 B36EHQ1-A30  
B36EHQ1-B09 B36EHQ1-B15 B36EHQ1-C09 B36EHQ1-C15 ---X1

BC48A BC48A-A10 BC48A-A15 BC48A-A20 BC48A-A30 BC48A-B09 BC48A-B15 BC48A-B30  
BC48A-C09 BC48A-C18 ---Y1

BC60A BC60A-A10 BC60A-A15 BC60A-A20 BC60A-A30 BC60A-B09 BC60A-B15 BC60A-B30  
BC60A-C09 BC60A-C18 ---Z1

BC35B BC36B ---Z2-Z5

BC24B ---Z6-Z9



# 1988 Split & Packaged Parts Lists

## Pink Pages

### ELECTRIC HEATERS

EH3MA-A05 EH3MA-A08 EH3MA-A10 EH3MA-A15 EH3MA-A20 ---AA1

EH3PA-A05 EH3PA-A08 EH3PA-A10 EH3PA-A15 EH3PA-B09 EH3PA-B12 EH3PA-B15 EH3PA-C09  
EH3PA-C12 EH3PA-C15 ---BB1

EH5PA-A05 EH5PA-A10 EH5PA-A15 EH5PA-A20 EH5PA-B09 EH5PA-B12 EH5PA-B15 EH5PA-B18  
EH5PA-C09 EH5PA-C12 EH5PA-C15 EH5PA-C18 ---CC1

EH3RA-A05 EH3RA-A10 EH3RA-A15 EH3RA-A20 EH3RA-B06 EH3RA-B09 EH3RA-B12  
EH3RA-B15 EH3RA-B18 EH3RA-C06 EH3RA-C09 EH3RA-C12 EH3RA-C15 EH3RA-C18 ---DD1

EH5RA-A05 EH5RA-A10 EH5RA-A15 EH5RA-A20 EH5RA-A25 EH5RA-B06 EH5RA-B09  
EH5RA-B12 EH5RA-B15 EH5RA-B18 EH5RA-B21 EH5RA-B24 EH5RA-C06 EH5RA-C09  
EH5RA-C12 EH5RA-C15 EH5RA-18 EH5RA-21 EH5RA-C24 ---EE1

EH3BA-A05N EH3BA-A09N EH3BA-A14N EH3BA-A18N EH3BA-A05C EH3BA-A09C EH3BA-A14C  
EH3BA-A18C ---EE2-EE3

EH2BA-A05N EH2BA-A09N EH2BA-A05C EH2BA-A09C ---EE4-EE5

8604-080 8604-081 8604-082 8604-083 ---FF1

### PACKAGED GAS / ELECTRIC

PGA ---HH1-HH14

### ECONOMIZERS

ECR-3 ECR-5 ECW-2A ECW-3A ECW-4A ---KK1

ECON-P-35 ---LL1



# PARTS LIST

SPLIT SYSTEM CONDENSING UNITS  
SINGLE PACKAGE AIR CONDITIONERS  
SPLIT SYSTEM HEAT PUMPS  
SINGLE PACKAGE HEAT PUMPS  
SPLIT SYSTEM BLOWER COILS

OPTIONAL ELECTRIC HEAT PACKAGES  
DUCT HEATERS

GAS/ELECTRIC PACKAGED UNITS

ECONOMIZERS  
HEAT RECOVERY UNIT

EFFECTIVE JANUARY, 1988

## IMPORTANT

RETAIN OBSOLETE PARTS LISTS FOR REFERENCE PURPOSES. IT IS ESSENTIAL TO USE COMPLETE MODEL NUMBER AND MATCHING PARTS LIST TO HELP ASSURE THE CORRECT PART IS SHIPPED.

## IMPORTANT

PLEASE SUPPLY COMPLETE MODEL NUMBER AND SERIAL NUMBER WHEN ORDERING PARTS.

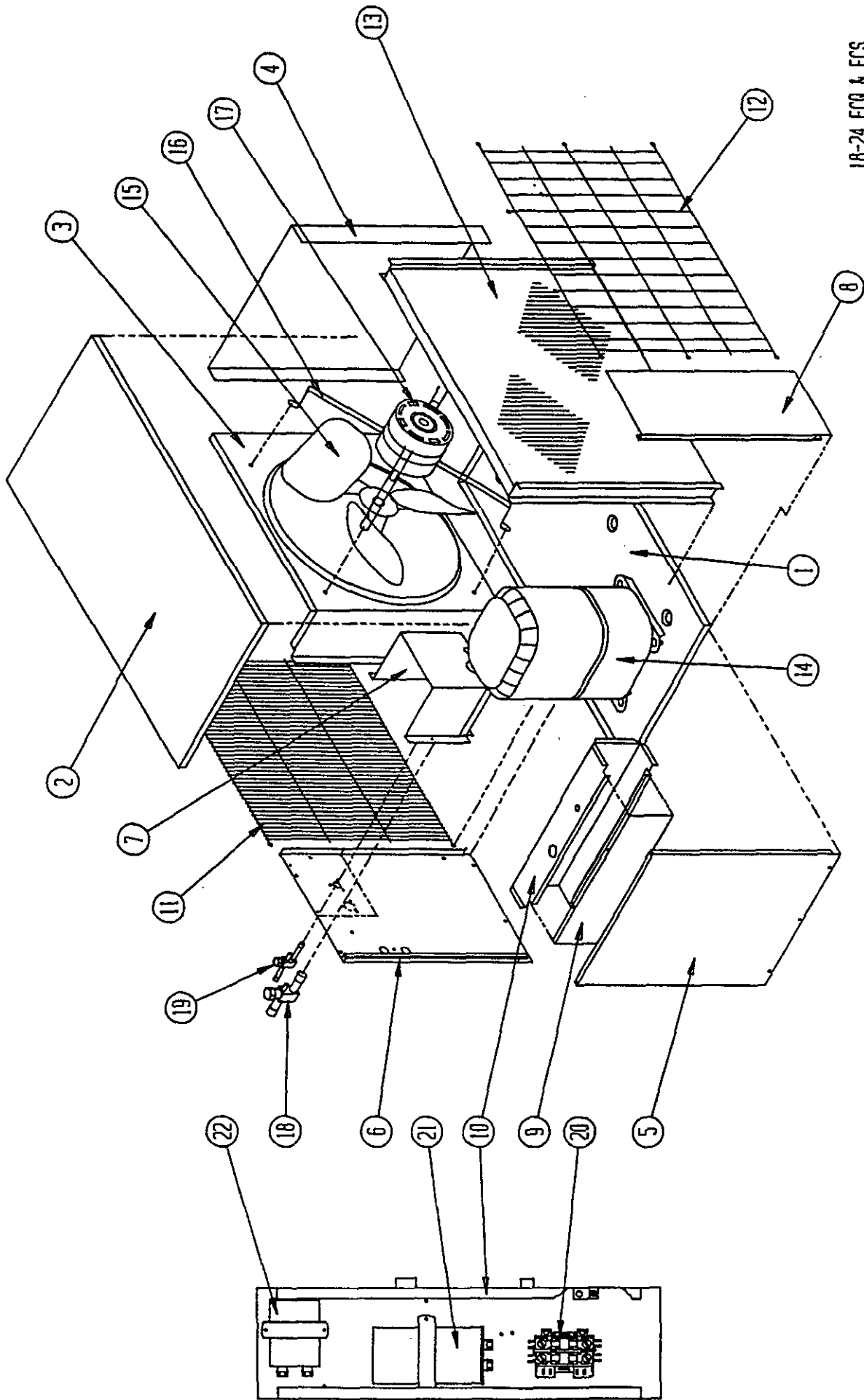
THIS HELPS ASSURE THAT THE CORRECT PARTS ARE SHIPPED AND IS ALSO NECESSARY IF THERE IS WARRANTY COVERAGE INVOLVED.

BARD MANUFACTURING CO.

P. O. BOX 607

BRYAN, OHIO 43506

419-836-1194

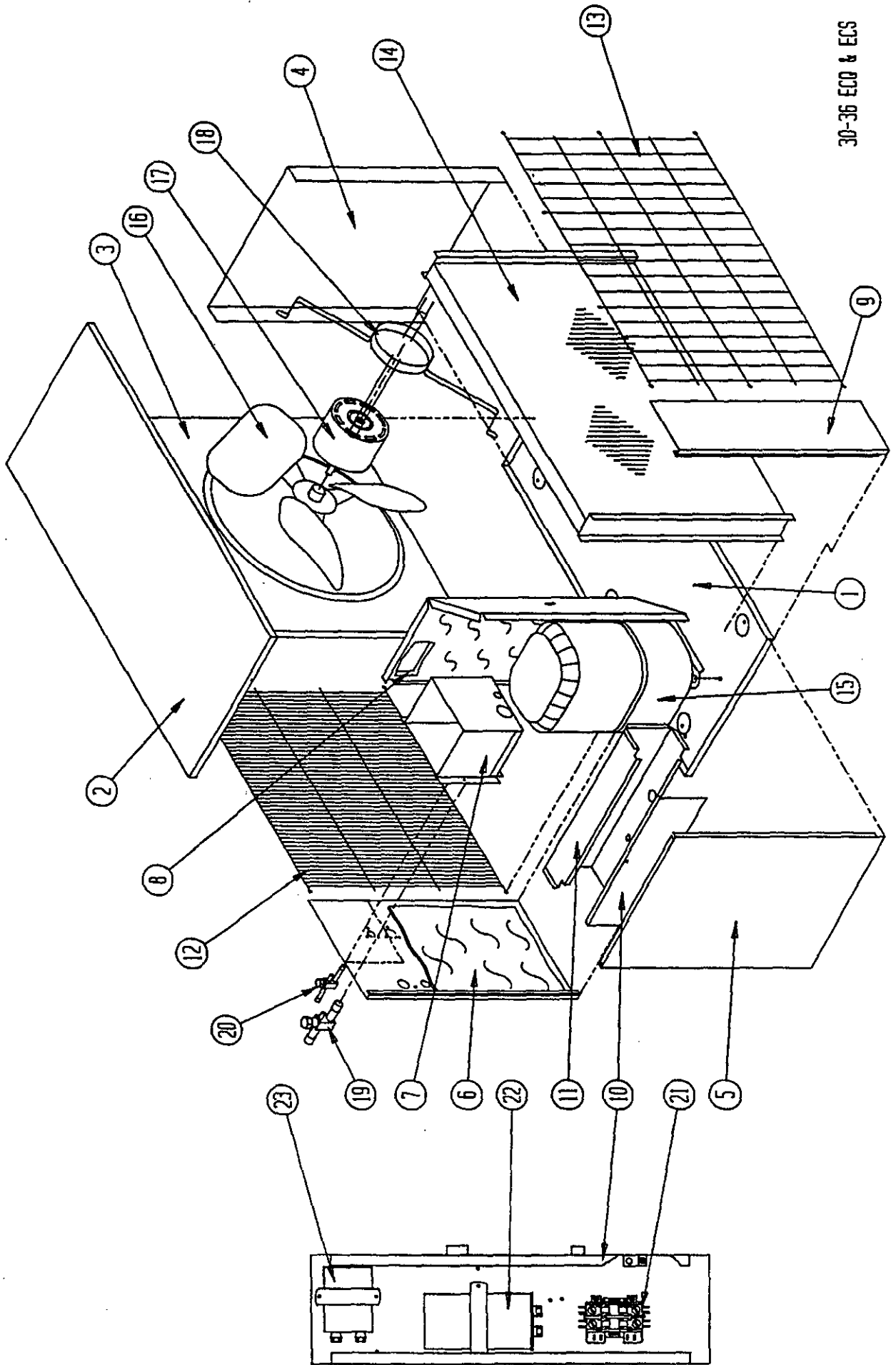


18-24 ECO & ECS

PARTS LIST  
SPLIT SYSTEM CONDENSING UNITS

Page: A1  
Date: 11/11/88

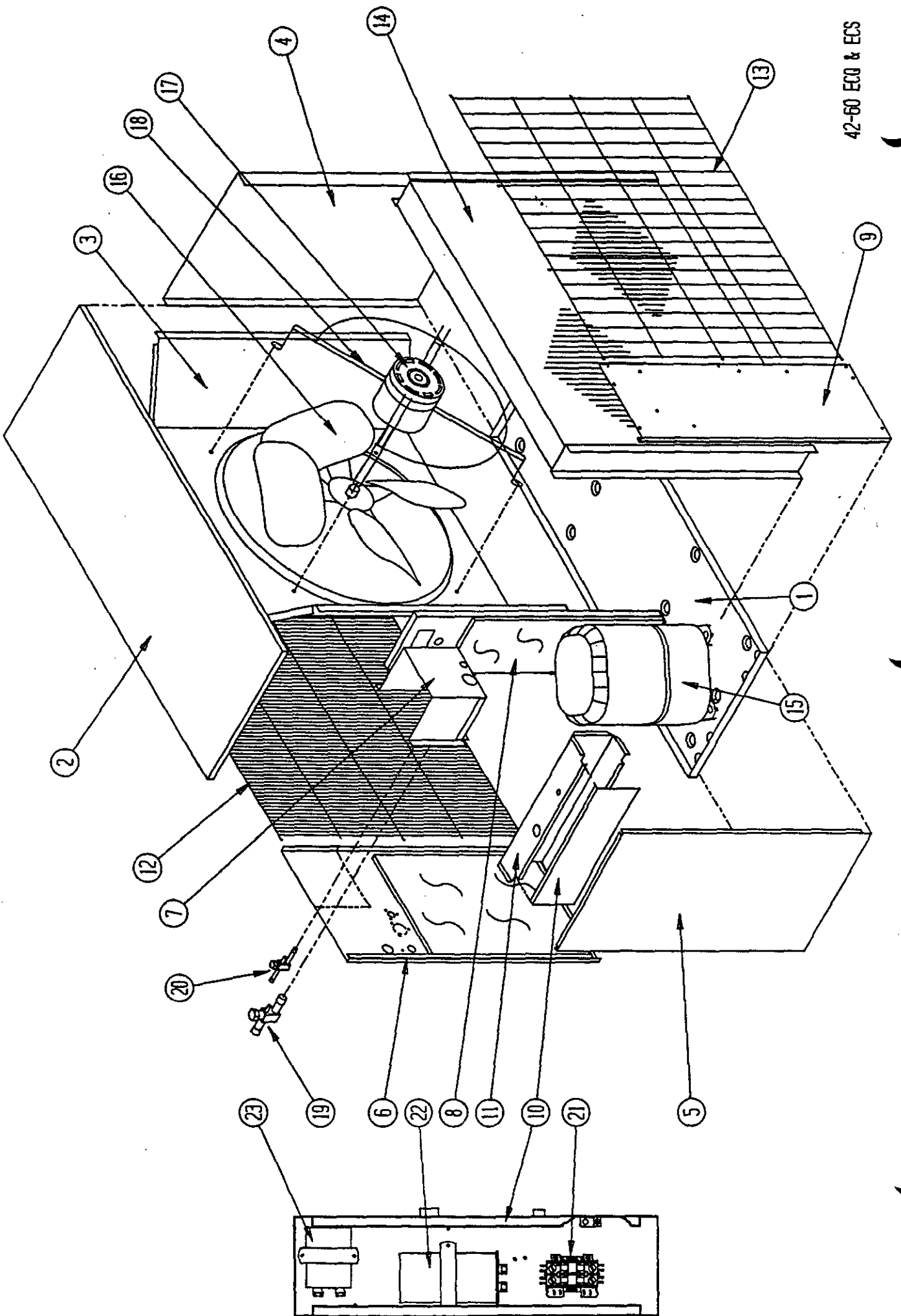
Item No.	Part No.	Description	1	1	2	2
			8	8	4	4
			E	E	E	E
			C	C	C	C
			Q	S	Q	S
			2	2	4	4
1	127-015	Base Assembly	x	x	x	x
2	106-015	Top	x	x	x	x
3	124-005	Fan Shroud	x	x	x	x
4	100-122	Side	x	x	x	x
5	152-014	Access Door	x	x	x	x
6	148-065	Compressor Corner		x		x
6	148-025	Compressor Corner	x		x	
7	140-124	Base Valve Support		x		x
8	148-038	Coil Corner	x	x	x	x
9	132-019	Control Panel Cover	x	x	x	x
10	*	Control Panel Assembly *See Control Panel Drawing				
11	7051-010	Inlet Air Grille	x	x	x	x
12	7051-009	Condenser Grille	x	x	x	x
13	5051-011	Condenser Coil	x	x		
13	5051-013	Condenser Coil			x	x
14	8000-061	Compressor RES3-0175-PFV	x	x		
14	8000-071	Compressor AB225HT			x	x
15	5151-001	Fan Blade TF1839	x	x	x	x
16	8200-001	Motor Mount--Fan	x	x	x	x
17	8103-008	Motor--Fan 1/5 H.P.	x	x	x	x
18	5651-053	Base Valve		x		x
19	5651-051	Base Valve		x		x
20	8401-007	Contactora--Comp 25A	x	x	x	x
21	8552-044	Capacitor 15/10--370V	x	x		
21	8552-007	Capacitor 20/15--370V			x	x
22	8552-002	Capacitor 5/370V	x	x	x	x
	4021-110	Wiring Diagram	x	x	x	x



30-36 ECO & ECS







42-60 ECO & ECS

PARTS LIST  
SPLIT SYSTEM CONDENSING UNIT

Page: C1  
Date: 1/31/89

Item No.	Part No.	Description	4	4	4	4	6	6	4	4	6	4	4	6
			2	2	8	8	0	0	2	8	0	2	8	0
			E	E	E	E	E	E	E	E	E	E	E	E
			C	C	C	C	C	C	C	C	C	C	C	C
			Q	S	Q	S	Q	S	Q	Q	Q	Q	Q	Q
			1	1	2	2	1	1	1	2	1	1	2	1
			-	-	-	-	-	-	B	B	B	C	C	C
1	127-018	Base Assembly	X	X	X	X	X	X	X	X	X	X	X	X
2	506-017	Top	X	X	X	X	X	X	X	X	X	X	X	X
3	124-007	Fan Shroud	X	X	X	X	X	X	X	X	X	X	X	X
4	100-024	Side	X	X	X	X	X	X	X	X	X	X	X	X
5	552-016	Service Door	X	X	X	X	X	X	X	X	X	X	X	X
6	548-063	Compressor Corner		X		X		X						
6	548-0311	Compressor Corner	X		X		X		X	X	X	X	X	X
7	140-124	Base Valve Support		X		X		X						
8	520-019	Compressor Partition	X	X	X	X	X	X	X	X	X	X	X	
9	548-030	Coil Corner	X	X	X	X	X	X	X	X	X	X	X	
10	132-070	Control Panel Cover	X	X	X	X	X	X	X	X	X	X	X	
11	*	Control Panel *See Control Panel Drawing												
12	7051-004	Inlet Grille	X	X	X	X	X	X	X	X	X	X	X	X
13	7051-005	Condenser Grille	X	X	X	X	X	X	X	X	X	X	X	X
14	5051-009	Condenser Coil	X	X	X	X		X	X		X	X		
14	5051-024	Condenser Coil					X	X		X				X
15	8000-063	Compressor CRK3-0325-PPV	X	X										
15	8000-064	Compressor CRK3-0325-TF5						X						
15	8000-067	Compressor AG112ET			X	X								
15	8000-030	Compressor AG111RT							X					
15	8000-027	Compressor AG122ET					X	X						
15	8000-065	Compressor CRK3-0325-TFD									X			
15	8000-031	Compressor AG122RT								X				
15	8000-047	Compressor AG111UT										X		
15	8000-048	Compressor AG122UT												X
16	5151-017	Fan Blade FA2430-4B	X	X	X	X	X	X	X	X	X	X	X	X
17	8105-021	Motor--Fan 1/3 HP	X	X	X	X	X	X	X	X				
17	8105-030	Motor--Fan 1/3 HP 460V										X	X	X
18	8200-004	Motor Mount--Fan	X	X	X	X	X	X	X	X	X	X	X	X
19	5651-054	Base Valve		X		X		X						
20	5651-051	Base Valve		X		X		X						
21	8401-025	Contact--Comp 35A	X	X	X	X	X	X						
21	8401-002	Contact--Comp 25A 3 Pole						X	X	X	X	X	X	X
22	8552-030	Capacitor 40/440V	X	X										
22	8552-036	Capacitor 70/370V			X	X								
22	8552-031	Capacitor 45/440V					X	X						
23	8552-026	Capacitor 15/370V	X	X	X	X	X	X	X	X	X	X	X	X
	4025-120	Wiring Diagram	X	X	X	X	X	X						
	4025-210	Wiring Diagram						X	X	X				
	4025-310	Wiring Diagram									X	X	X	

PARTS LIST  
SPLIT SYSTEM CONDENSING UNITS

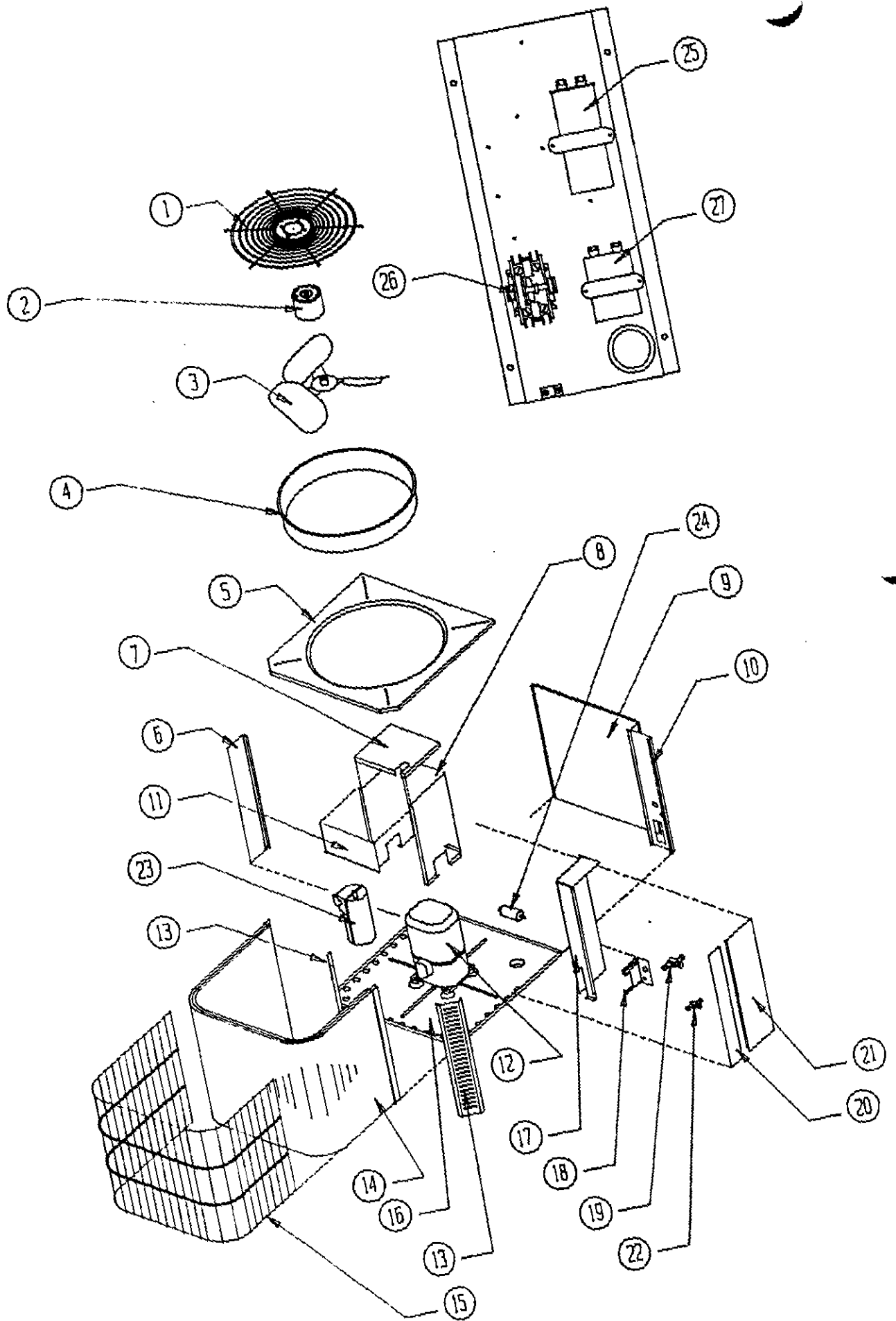
Page: D1  
Date: 06/28/89

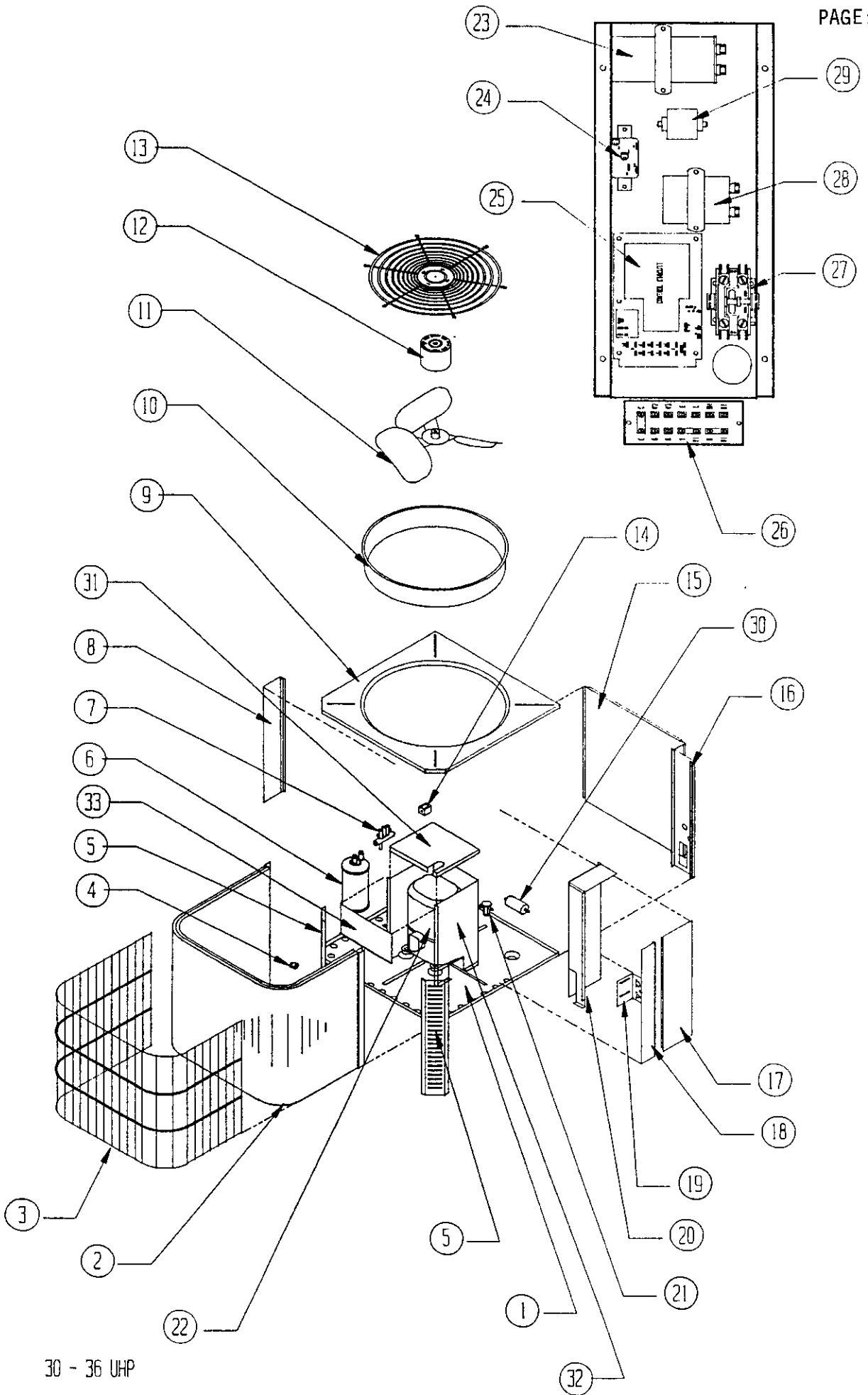
Dwg. No.	Part No.	Description	2	2	3	3	3	3	3	4	4	4	4	4	4	6	6	6
			4	4	0	0	6	6	6	2	2	2	8	8	8	0	0	0
			U	U	U	U	U	U	U	U	U	U	U	U	U	U	U	
			A	A	A	A	A	A	A	A	A	A	A	A	A	A	A	
			C	C	C	C	C	C	C	C	C	C	C	C	C	C	C	
			Q	S	Q	S	Q	S	Q	S	S	Q	S	S	Q	S	S	
			B	B	A	A	A	A	A	A	A	A	A	A	A	A	A	
1	7051-018	Fan & Motor Mount Grille	X	X	X	X	X	X	X	X	X	X	X	X	X	X	X	
2	8102-010	Motor--Fan	X	X	X	X	X	X	X	X	X	X	X	X	X	X	X	
2	8104-007	Motor--Fan							X	X	X	X	X	X				
2	8105-028	Motor--Fan													X	X	X	
3	5151-036	Fan Blade							X	X	X	X	X	X				
3	5151-037	Fan Blade													X	X	X	
3	5151-039	Fan Blade	X	X	X	X	X	X	X	X	X	X	X	X				
4	167-011	Fan Venturi	X	X	X	X	X	X	X	X	X	X	X	X	X	X	X	
5	106-093	Top	X	X	X	X	X	X	X	X	X	X	X	X	X	X	X	
6	148-056	Left Rear Corner	X	X	X	X	X	X	X	X	X	X	X	X				
6	148-059	Left Rear Corner													X	X	X	
7	534-082	Sound Enclosure Top														X	X	
7	534-087	Sound Enclosure Top															X	
8	534-080	Sound Enclosure Wrapper													X	X	X	
9	152-144	Service Door	X	X	X	X	X	X	X	X	X	X	X	X				
9	152-143	Service Door													X	X	X	
10	148-054	Control Panel Corner	X	X	X	X	X	X	X	X	X	X	X	X				
10	148-057	Control Panel Corner													X	X	X	
11	534-081	Sound Enclosure Front													X	X	X	
12	8000-031	Compressor AG122RT-003															X	
12	8000-052	Compressor CRG3-0250-PFV					X	X										
12	8000-053	Compressor CRG3-0250-TF5						X										
12	8000-058	Compressor CRJ3-0300-PFV							X	X								
12	8000-059	Compressor CRJ3-0300-TF5									X							
12	8000-063	Compressor CRK3-0325-PFV										X	X					
12	8000-064	Compressor CRK3-0325-TF5												X				
12	8000-091	Compressor 703006-18-0733													X	X		
12	8000-110	Compressor AW5519F	X	X														
12	8000-095	Compressor 703087-06-0813			X	X												
13	148-055	Front Corner	X	X	X	X	X	X	X	X	X	X	X	X				
13	148-058	Front Corner													X	X	X	
14	5051-043	Condenser Coil			X	X												
14	5051-044	Condenser Coil					X	X	X									
14	5051-045	Condenser Coil							X	X	X							
14	5051-046	Condenser Coil										X	X	X				
14	5051-047	Condenser Coil													X	X	X	
14	5051-058	Condenser Coil	X	X														
15	7051-019	Coil Grille	X	X	X	X	X	X	X	X	X	X	X	X				
15	7051-020	Coil Grille													X	X	X	
16	127-113	Base Assembly	X	X	X	X	X	X	X	X	X	X	X	X	X	X	X	
	8002-002	Sound Cover							X	X	X	X	X	X				

PARTS LIST  
SPLIT SYSTEM CONDENSING UNITS

Page: D2  
Date: 2/01/89

Dwg. No.	Part No.	Description	2 4 U A C Q A	2 4 U A C S A	3 0 U A C Q A	3 0 U A C S A	3 6 U A C Q A	3 6 U A C S A	3 6 U A C S A   B	4 2 U A C Q A	4 2 U A C S A	4 2 U A C S A   B	4 8 U A C Q A	4 8 U A C S A	4 8 U A C S A   B	6 0 U A C Q A	6 0 U A C S A	6 0 U A C S A   B
17	116-094	Control Panel Wrapper	X	X	X	X	X	X	X	X	X	X	X	X	X			
17	116-096	Control Panel Wrapper	X	X	X	X										X	X	X
18	140-105	Quick Connect Support	X		X		X											
18	140-106	Quick Connect Support							X				X			X		
18	140-107	Base Valve Support								X	X			X	X		X	X
18	140-109	Base Valve Support			X		X	X									X	X
19	5651-053	Base Valve 3/4"		X		X		X									X	X
19	5651-054	Base Valve 7/8"								X	X		X	X			X	X
20	100-146	Right Side	X	X	X	X	X	X	X	X	X	X	X	X	X		X	X
20	100-147	Right Side														X	X	X
21	132-064	Control Panel Cover	X	X	X	X	X	X	X	X	X	X	X	X	X		X	X
21	132-065	Control Panel Cover														X	X	X
22	5651-051	Base Valve 3/8"		X		X		X	X		X	X		X	X		X	X
23	5202-017	Accumulator														X	X	X
24	5201-011	Drier	X	X	X	X	X	X								X	X	X
24	5201-012	Drier							X	X	X	X	X	X	X	X	X	X
25	8552-028	Capacitor 35/440V							X	X								
25	8552-030	Capacitor 40/440V											X	X				
25	8552-031	Capacitor 45/440V														X	X	
25	8552-032	Capacitor 35/370V	X	X	X	X												
25	8552-035	Capacitor 40/370V					X	X										
26	8401-002	Contacto					X	X			X				X			X
26	8401-003	Contacto 1P30A														X	X	
26	8401-007	Contacto 1P25A	X	X	X	X	X	X		X	X		X	X				
27	8552-002	Capacitor 5/370V	X	X	X	X	X	X	X	X	X	X	X	X	X	X	X	X
	4080-110	Wiring Diagram	X	X	X	X	X	X		X	X		X	X		X	X	X
	4080-210	Wiring Diagram							X				X					X
	5625-063	Restrictor w/.063" Orifice	X	X	X	X												
	5625-069	Restrictor w/.069" Orifice					X	X	X									
	5625-078	Restrictor w/.078" Orifice							X	X	X							
	5625-081	Restrictor w/.081" Orifice											X	X	X			
	5625-092	Restrictor w/.092" Orifice														X	X	X

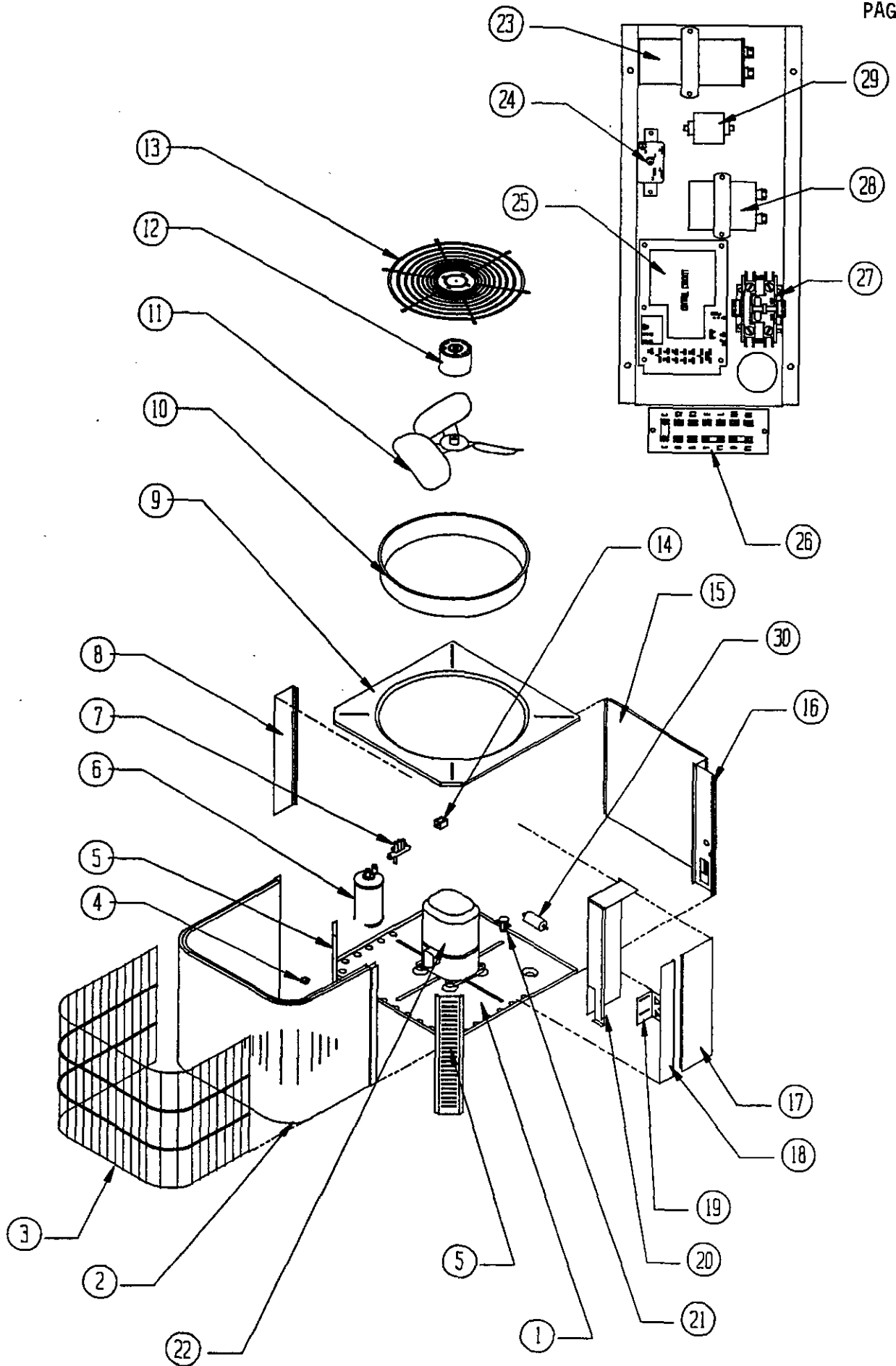




PARTS LIST  
SPLIT SYSTEM CONDENSING UNITS

Page: D4  
Date: 06/28/89

Item No.	Part No.	Description	2	3	3
			4	0	6
			U	U	U
			H	H	H
			P	P	P
			Q	Q	Q
			A	A	A
1	127-114	Base Assembly	X	X	X
2	5051-055	Condenser Coil	X	X	
2	5051-056	Condenser Coil			X
3	7051-019	Coil Grille	X	X	X
4	8408-019	Ther. Sensor	X	X	X
5	148-055	Front Cover	X	X	X
6	5202-016	Accumulator	X	X	X
7	5650-005	Reversing Valve	X		
7	5650-013	Reversing Valve		X	X
8	148-056	Left Rear Corner	X	X	X
19	106-096	Top	X	X	X
10	167-011	Fan Venturi	X	X	X
11	5151-039	Fan Blade	X	X	X
12	8102-010	Fan Motor 1/6 HP	X	X	X
13	7051-018	Fan Motor Mount Grille	X	X	X
14	5650-008	Reversing Valve Solenoid	X	X	X
15	152-144	Service Door	X	X	X
16	148-054	Control Panel Cover	X	X	X
17	132-064	Control Panel Cover	X	X	X
18	100-146	Right Side	X	X	X
19	140-144	Quick Connect Support	X	X	X
20	116-094	Control Panel Wrapper	X	X	X
21	5651-070	Expansion Valve		X	
21	5651-071	Expansion Valve			X
21	5651-072	Expansion Valve	X		
22	8000-099	Compressor H23B283ABCA		X	
22	8000-055	Compressor CRH3-0275-PFV			X
22	8000-101	Compressor H23B223ABC	X		
23	8552-032	Capacitor 35/370V		X	
23	8552-035	Capacitor 40/370V			X
23	8552-045	Capacitor 30/370	X		
24	8201-008	Emergency Heat Relay	X	X	X
25	8201-055	Heat Pump Control	X	X	X
26	8607-019	Terminal Strip	X	X	X
27	8401-007	Compressor Contactor 25 Amp	X	X	X
28	8552-002	Capacitor 5/370V	X	X	X
29	8551-005	Motor Starting Device	X	X	X
30	5201-009	Heat Pump Filter Drier	X	X	X
31	8002-001	Sound Cover	X	X	
32	8002-002	Sound Cover			X
	4087-110	Wiring Diagram	X	X	X
	5625-059	Restrictor w/.059" Orifice	X		
	5625-067	Restrictor w/.067" Orifice		X	
	5625-072	Restrictor w/.072" Orifice			X
	8408-008	Outdoor Thermostat			Field Inst.





PARTS LIST  
SINGLE PACKAGE AIR CONDITIONERS

Page: E1  
Date: 05/10/89

Part No.	Description	P	P	P	P	P	P	P
		2 5 A	2 5 A   B	3 1 A   1   C	3 1 A   1   C	3 6 A   5	3 6 A   5   B	3 6 A   5   C
				460V				460V
4063-110	Wiring Diagram					X		
4063-111	Wiring Diagram			X				
4063-114	Wiring Diagram	X						
4063-210	Wiring Diagram						X	
4063-212	Wiring Diagram		X					
4063-310	Wiring Diagram				X			X
5051-034	Condenser Coil	X	X					
5051-035	Condenser Coil			X	X	X	X	X
5060-037	Evaporator Coil	X	X	X	X	X	X	X
5151-004	Fan Blade TP2026			X	X	X	X	X
5151-034	Fan Blade BT2026-2	X	X					
*	Blower Housing	X	X	X	X	X	X	X
5152-008	Blower Wheel DD10-4A	X	X					
5152-010	Blower Wheel DD10-7A			X	X			
5152-013	Blower Wheel DD10-8A					X	X	X
5210-004	Strainer	X	X	X	X	X	X	X
5811-009	Capillary Tube--Cool	2	2					
5811-014	Capillary Tube--Cool			2	2			
5811-033	Capillary Tube--Cool					2	2	2
7051-001	Condenser Grille	X	X	X	X	X	X	X
7051-015	Wire Grille--Inlet	2	2	2	2	2	2	2
8000-054	Compressor--CRG3-0250-TFD				X			
8000-055	Compressor--CRE3-0275-PFV					X		
8000-056	Compressor--CRE3-0275-TF5						X	
8000-057	Compressor--CRE3-0275-TFD							X
8000-070	Compressor--AB233HT			X				
8000-090	Compressor--H22B233ABCA	X						
8000-097	Compressor AB260RT		X					
8103-009	Motor--Fan 1/5 HP cw					X	X	
8103-014	Motor--Fan 1/5 HP cw				X			X
8103-016	Motor--Fan 1/5 HP cw	X	X					
8105-016	Motor--Blower 1/3 HP ccw				X			X
8105-024	Motor--Blower 1/3 HP ccw			X		X	X	
8105-032	Motor--Blower 1/3 HP ccw	X	X					
8200-001	Motor Mount--Fan	X	X	X	X	X	X	X
8200-033	Motor Mount Band	X	X	X	X	X	X	X
8200-036	Motor Mount Arm	3						3
8200-034	Motor Mount Arm		3	3	3	3	3	
8201-008	Relay--Blower	X	X	X	X	X	X	X
8201-032	Relay--Blower				X			X
8401-002	Contactor--Comp. 3P25A		X		X		X	X
8401-007	Contactor--Comp. 1P25A	X		X		X		
8407-027	Transformer 48VA				X			X
8407-034	Transformer 40VA	X	X	X		X	X	
8552-002	Capacitor--Fan and Blower 5/370V	X	X	X	X	X	X	X
8552-007	Capacitor--Comp. 20/15-370V			X				
8552-032	Capacitor--Comp. 35/370V	X						
8552-035	Capacitor--Comp. 40/370V					X		
8607-006	Terminal Board 24V	X	X	X	X	X	X	X
8607-013	Terminal Block	X		X		X		
8607-014	Terminal Block		X		X		X	X
8607-015	Phenolic Insulator				X			X

**SUPPLEMENTAL PARTS LIST FOR  
HOT GAS BYPASS UNITS**

1/88

Part No.	Description	P25A	P36A
5651-039	TXV (Expansion Valve)	x	x
5651-026	Distributor	x	x
5651-064	Hot Gas Bypass Valve	x	x
5651-015	Head Pressure Control Valve	x	x
5651-016	Pressure Differential Valve	x	x
5203-004	Receiver	x	x
5651-051	Manual Shutoff Valve	x	x
5201-001	Filter Drier	x	x
5202-003	Accumulator	x	x
5201-014	Sight Glass	x	x

PARTS LIST  
SINGLE PACKAGE AIR CONDITIONERS

Page: F1  
Date: 05/12/

Part No.	Description	P48A5	P48A5-B	P48A5-C 460V	P60A6	P60A6-B	P60A6-C 460V
4064-110	Wiring Diagram	X					
4064-111	Wiring Diagram				X		
4064-210	Wiring Diagram		X			X	
4064-310	Wiring Diagram			X			X
5051-027	Condenser Coil	X	X	X			
5051-028	Condenser Coil				X	X	X
5060-036	Evaporator Coil	X	X	X			
5060-039	Evaporator Coil				X	X	X
5151-029	Fan Blade T10H08-2436	X	X	X			
5151-030	Fan Blade T10H08-2428				X	X	X
*	Blower Housing 10-10	X	X	X	X	X	X
5152-015	Blower Wheel DD10-10	X	X	X	X	X	X
5210-005	Strainer				X	X	X
5210-009	Strainer	X	X	X			
5451-011	Motor Mounting Parts	X	X	X	X	X	X
5811-032	Capillary Tube--Cool				2	2	2
5811-033	Capillary Tube--Cool	3	3	3			
7051-005	Condenser Grille	X	X	X	X	X	X
7051-007	Wire Grille--Inlet	2	2	2	2	2	2
8000-031	Compressor AG122RT					X	
8000-048	Compressor AG122UT						X
8000-081	Compressor AV168ET	X					
8000-082	Compressor AV169RT		X				
8000-083	Compressor AV169TT			X			
8000-091	Compressor 703006-18-0733				X		
8105-021	Motor--Fan 1/3 hp	X	X	X			
8106-015	Motor--Blower 1/2 hp	X	X	X	X	X	X
8106-016	Motor--Fan 1/2 hp				X	X	X
8200-004	Motor Mount--Fan	X	X	X	X	X	X
8200-033	Motor Mount Band	X	X	X	X	X	X
8200-034	Motor Mount Arm	3	3	3	3	3	3
8201-008	Relay--Blower	X	X	X	X	2	2
8401-002	Contacto 3P25A		X	X			X
8401-007	Contacto 1P25A	X					
8401-011	Contacto 3P30A					X	
8401-016	Contacto 1P35A				X		
8407-004	Stepdown Transformer			X			X
8407-034	Transformer 40VA	X	X		X	X	
8407-035	Transformer 55VA		X	X		X	X
8552-004	Capacitor 7-1/2/370V				X	X	X
8552-005	Capacitor 10/370V	X	X	X	X	X	X
8552-026	Capacitor 15/370V	X	X	X			
8552-030	Capacitor 40/440V	X					
8552-031	Capacitor 45/440V				X		
8607-006	Terminal Board 24V	X	X	X	X	X	X
8607-013	Terminal Block	X			X		
8607-014	Terminal Block		X	X		X	X
8607-017	Terminal Block			X			X

\*Please order by model number.

SUPPLEMENTAL PARTS LIST FOR  
HOT GAS BYPASS UNITS

1/88

Part No.	Description	P48A	P60A
5651-040	TXV Expansion Valve	x	x
5651-008	Distributor		x
5651-049	Distributor	x	
5651-064	Hot Gas Bypass Valve	x	x
5651-015	Head Pressure Control Valve	x	x
5651-016	Pressure Differential Valve	x	x
5203-006	Receiver		x
5203-005	Receiver	x	
5651-051	Manual Shutoff Valve	x	x
5201-002	Filter Drier	x	x
5202-008	Accumulator		x
5202-005	Accumulator	x	
5201-014	Sight Glass	x	x

PARTS LIST  
SINGLE PACKAGE AIR CONDITIONERS

Page: G1  
Date: 05/12/89

Part No.	Description	P1024A1	P1030A1	P1036A1	P1045A1
4063-113	Wiring Diagram				X
4063-116	Wiring Diagram		X	X	
4063-117	Wiring Diagram	X			
5051-035	Condenser Coil	X	X		
5051-050	Condenser Coil			X	
5051-051	Condenser Coil				X
5060-037	Evaporator Coil	X	X		
5060-050	Evaporator Coil			X	
5060-051	Evaporator Coil				X
5151-004	Fan Blade TP2026		X	X	
5151-029	Fan Blade T10B08-2436				X
5151-034	Fan Blade BT2026-2	X			
*	Blower Housing	X	X	X	
*	Blower Housing 10-10				X
5152-005	Blower Wheel DD9-8A		X		
5152-008	Blower Wheel DD10-4A	X			
5152-013	Blower Wheel DD10-8A			X	
5152-015	Blower Wheel DD10-10A				X
5210-004	Strainer	X	X		
5210-009	Strainer				X
5210-011	Strainer			X	
5451-011	Motor Mounting Part	X	X	X	X
5811-001	Capillary Tube--Cool			5	6
5811-011	Capillary Tube--Cool	2			
5811-014	Capillary Tube--Cool		2		
7051-001	Condenser Grille	X	X	X	
7051-005	Condenser Grille				X
7051-007	Wire Grille				2
7051-015	Wire Grille	2	2	2	
8000-052	Compressor CRG3-0250-PFV			X	
8000-058	Compressor CRJ3-0300-PFV				X
8000-098	Compressor H23B203ABCA	X			
8000-099	Compressor H23B283ABCA		X		
8103-009	Motor--Fan 1/5 hp cw		X	X	
8103-016	Motor--Fan 1/5 hp cw	X			
8105-021	Motor--Fan 1/3 hp				X
8105-024	Motor--Blower 1/3 hp ccw		X	X	
8105-032	Motor--Blower 1/3 hp ccw	X			
8106-015	Motor--Blower 1/2 hp				X
8200-001	Motor Mount--Fan	X	X	X	
8200-004	Motor Mount--Fan				X
8200-033	Motor Mount Band	X	X	X	
8200-034	Motor Mount Arm		3	3	3
8200-036	Motor Mount Arm	3			
8201-008	Relay--Blower	X	X	X	X

\*Please order by model number.

PARTS LIST  
SINGLE PACKAGE AIR CONDITIONERS

1 / 88

Part No.	Description	P1024A1	P1030A1	P1036A1	P1045A1
8201-008	Relay - Blower	x	x	x	x
5210-004	Strainer	x	x		
5210-009	Strainer				x
8607-006	Terminal Board 24V	x	x	x	x
8607-013	Terminal Block	x	x	x	x
5210-011	Strainer			x	
8407-034	Transformer 40VA	x	x	x	x
4063-116	Wiring Diagram		x	x	
4063-117	Wiring Diagram	x			
4064-113	Wiring Diagram				x

\*Please order by model number.

PARTS LIST  
SINGLE PACKAGE AIR CONDITIONER

Page: HI  
Date: 05/10/89

Part No.	Description	MU30A	MU36C	MU42D
4058-110	Wiring Diagram	X		
4058-120	Wiring Diagram		X	X
5051-032	Condenser Coil	X	X	X
5060-015	Evaporator Coil	X		
5060-030	Evaporator Coil			X
5060-033	Evaporator Coil		X	
5151-028	Fan Blade Y10H9.5-2028	X	X	X
*	Blower Housing 10-8	X	X	X
5152-013	Blower Wheel DD10-8A	X	X	X
5153-022	Rain Shield	X	X	X
5210-003	Strainer	X		
5210-006	Strainer		X	X
5451-009	Motor Mounting Parts	X	X	X
5811-031	Capillary Tube--Cool	3	4	4
7051-014	Fan Guard	X	X	X
7051-016	Wire Grille	X	X	X
8000-055	Compressor CRH3-0275		X	
8000-063	Compressor CRK3-0325			X
8000-070	Compressor AB233HT	X		
8105-023	Motor--Fan 1/3 hp	X	X	X
8105-024	Motor--Blower 1/3 hp	X	X	X
8200-033	Motor Mount Band	X	X	X
8200-022	Motor Mount--Fan	X	X	X
8200-034	Motor Mount Arm	3	3	3
8201-008	Relay--Blower	X	X	X
8401-007	Contactactor 1P25A	X	X	X
8407-034	Transformer 40VA	X	X	X
8552-002	Capacitor 5/370V	X	X	X
8552-007	Capacitor 20/15-370V	X		
8552-030	Capacitor 40/440V			X
8552-035	Capacitor 40/370V		X	
8607-006	Terminal Block	X	X	X
8607-013	Terminal Block	X	X	X

\*Please order by model number.

SHI/PARTSLIST/TEXTLIB

PARTS LIST  
SINGLE PACKAGE AIR CONDITIONERS

Page: J1  
Date: 05/10/89

Part No.	Description	R	R	R	R	R	R
		P	P	P	P	P	P
		M	M	M	M	M	M
		A	A	A	A	A	A
		3	3	3	3	3	3
		O	O	O	6	6	6
		A	A	A	A	A	A
			B	C		B	C
4072-110	Wiring Diagram	X			X		
4072-210	Wiring Diagram		X			X	
4072-310	Wiring Diagram			X			X
5051-035	Condenser Coil	X	X	X	X	X	X
5060-012	Evaporator Coil	X	X	X			
5060-022	Evaporator Coil				X	X	X
5151-031	Fan Blade A-1831-5 cw	X	X	X	X	X	X
*	Blower Housing	X	X	X	X	X	X
5152-005	Blower Wheel DD9-8A	X	X	X			
5152-010	Blower Wheel DD10-7A				X	X	X
5153-022	Rain Shield	X	X	X	X	X	X
5210-003	Strainer	X	X	X			
5210-004	Strainer				X	X	X
5451-009	Motor Mounting Parts--Fan	X	X	X	X	X	X
5811-017	Capillary Tube				(2)	(2)	(2)
5811-031	Capillary Tube	(3)	(3)	(3)			
7004-015	Filter 24 x 24 x 1	X	X	X	X	X	X
7051-014	Fan Guard	X	X	X	X	X	X
8000-053	Compressor CRG3-0250-TF5-270		X				
8000-054	Compressor CRG3-0250-TFD-270			X			
8000-055	Compressor CRH3-0275-PFV-270				X		
8000-056	Compressor CRH3-0275-TF5-270					X	
8000-057	Compressor CRH3-0275-TFD-270						X
8000-086	Compressor 701268-06-0433	X					
8103-013	Motor--Fan	X	X	X	X	X	X
8105-010	Motor--Blower 1/3 hp	X	X	X	X	X	X
8200-033	Motor Mount Band	X	X	X	X	X	X
8200-034	Motor Mount Arm	3	3	3	3	3	3
8200-022	Motor Mount--Fan	X	X	X	X	X	X
8201-008	Relay--Blower	X	X	X	X	X	X
8401-002	Contactactor 3P25A		X	X		X	X
8401-007	Contactactor 1P25A	X			X		
8407-003	Transformer 1.5 KVA			X			X
8407-034	Transformer 40VA	X	X	X	X	X	X
8552-002	Capacitor--Fan 5/370V	X	X	X	X	X	X
8552-019	Capacitor--Blower 5/440V	X	X	X	X	X	X
8552-032	Capacitor--Comp. 35/370V	X					
8552-035	Capacitor--Comp. 40/370V				X		
8607-006	Terminal Board	X	X	X	X	X	X
8607-013	Terminal Block	X			X		
8607-014	Terminal Block		X	X		X	X
8607-015	Phenolic Insulator			X			X
8607-017	Terminal Block			X			X

\*Please order by model number.



PARTS LIST  
SINGLE PACKAGE AIR CONDITIONERS

Page: K1  
Date: 05/10/89

Part No.	Description	R	R	R	R	R	R	R	R	R
		P	P	P	P	P	P	P	P	P
		M	M	M	M	M	M	M	M	M
		A	A	A	A	A	A	A	A	A
		4	4	4	4	4	4	6	6	6
		2	2	2	8	8	8	0	0	0
			B	C		B	C		B	C
4075-110	Wiring Diagram	X								
4075-120	Wiring Diagram				X					
4075-130	Wiring Diagram							X		
4075-210	Wiring Diagram		X							
4075-220	Wiring Diagram					X				
4075-230	Wiring Diagram								X	
4075-310	Wiring Diagram			X						
4075-320	Wiring Diagram						X			
4075-330	Wiring Diagram									X
5051-027	Condenser Coil	X	X	X	X	X	X	X	X	X
5060-029	Evaporator Coil				X	X	X			
5060-030	Evaporator Coil	X	X	X						
5060-038	Evaporator Coil							X	X	X
5151-026	Fan Blade	X	X	X	X	X	X	X	X	X
*	Blower Housing	X	X	X	X	X	X	X	X	X
5152-014	Blower Wheel 10-9	X	X	X	X	X	X			
5152-049	Blower Wheel 10-10							X	X	X
5153-022	Rain Shield	X	X	X	X	X	X	X	X	X
5210-003	Strainer				X	X	X			
5210-006	Strainer	X	X	X				X	X	X
5811-007	Capillary Tube				(3)	(3)	(3)			
5811-012	Capillary Tube	(4)	(4)	(4)						
5811-017	Capillary Tube							(4)	(4)	(4)
7004-019	Filter 16 x 30 x 1	(2)	(2)	(2)	(2)	(2)	(2)	(2)	(2)	(2)
7051-017	Condenser Grille	X	X	X	X	X	X	X	X	X
8000-049	Compressor AG133UT									X
8000-058	Compressor CRJ3-0300-PFV	X								
8000-059	Compressor CRJ3-0300-TF5		X							
8000-060	Compressor CRJ3-0300-TFD			X						
8000-074	Compressor AG134ET							X		
8000-075	Compressor AG134RT								X	
8000-081	Compressor AV168ET				X					
8000-082	Compressor AV169RT					X				
8000-083	Compressor AV169TT						X			
8106-017	Motor--Blower	X	X	X	X	X	X			
8106-020	Motor--Blower							X	X	X
8106-021	Motor--Fan	X	X	X	X	X	X	X	X	X
8200-027	Motor Mount--Fan	X	X	X	X	X	X	X	X	X
8200-033	Motor Mount Band	X	X	X	X	X	X	X	X	X
8200-034	Motor Mount Arm	3	3	3	3	3	3	3	3	3
8201-008	Relay--Blower	X	X	(2)	X	X	(2)	X	X	(2)
8401-002	Contactoer 25A3P		X	X		X	X			X
8401-003	Contactoer 30A1P				X					

\*Please order by model number.

PARTS LIST  
SINGLE PACKAGE AIR CONDITIONERS

Page: K2  
Date: 9/6/88

Part No.	Description	R	R	R	R	R	R	R	R
		P	P	P	P	P	P	P	P
		M	M	M	M	M	M	M	M
		A	A	A	A	A	A	A	A
		4	4	4	4	4	6	6	6
		2	2	2	8	8	8	0	0
			B	C		B	C		B
									C
8401-007	Contactora 25A1P	X							
8401-011	Contactora 30A3P							X	
8401-016	Contactora 35A1P						X		
8407-004	Transformer--Stepdown 2KVA			X		X			X
8407-034	Transformer 40VA	X	X	X	X	X	X	X	X
8552-004	Capacitor--Blower 7-1/2/370V	X	X	X	X	X	X		
8552-026	Capacitor--Blower/Fan 15/370V	X	X	X	X	X	(2)	(2)	(2)
8552-028	Capacitor--Comp. 35/440V	X							
8552-030	Capacitor--Comp. 40/440V				X				
8552-043	Capacitor--Comp. 45/370V						(2)		
8607-006	Terminal Board	X	X	X	X	X	X	X	X
8607-013	Terminal Block	X			X		X		
8607-014	Terminal Block		X	X		X		X	X
8607-015	Phenolic Insulator			X		X			X
8607-017	Terminal Block			X		X			X

PARTS LIST  
SPLIT SYSTEM HEAT PUMPS

4-28-88

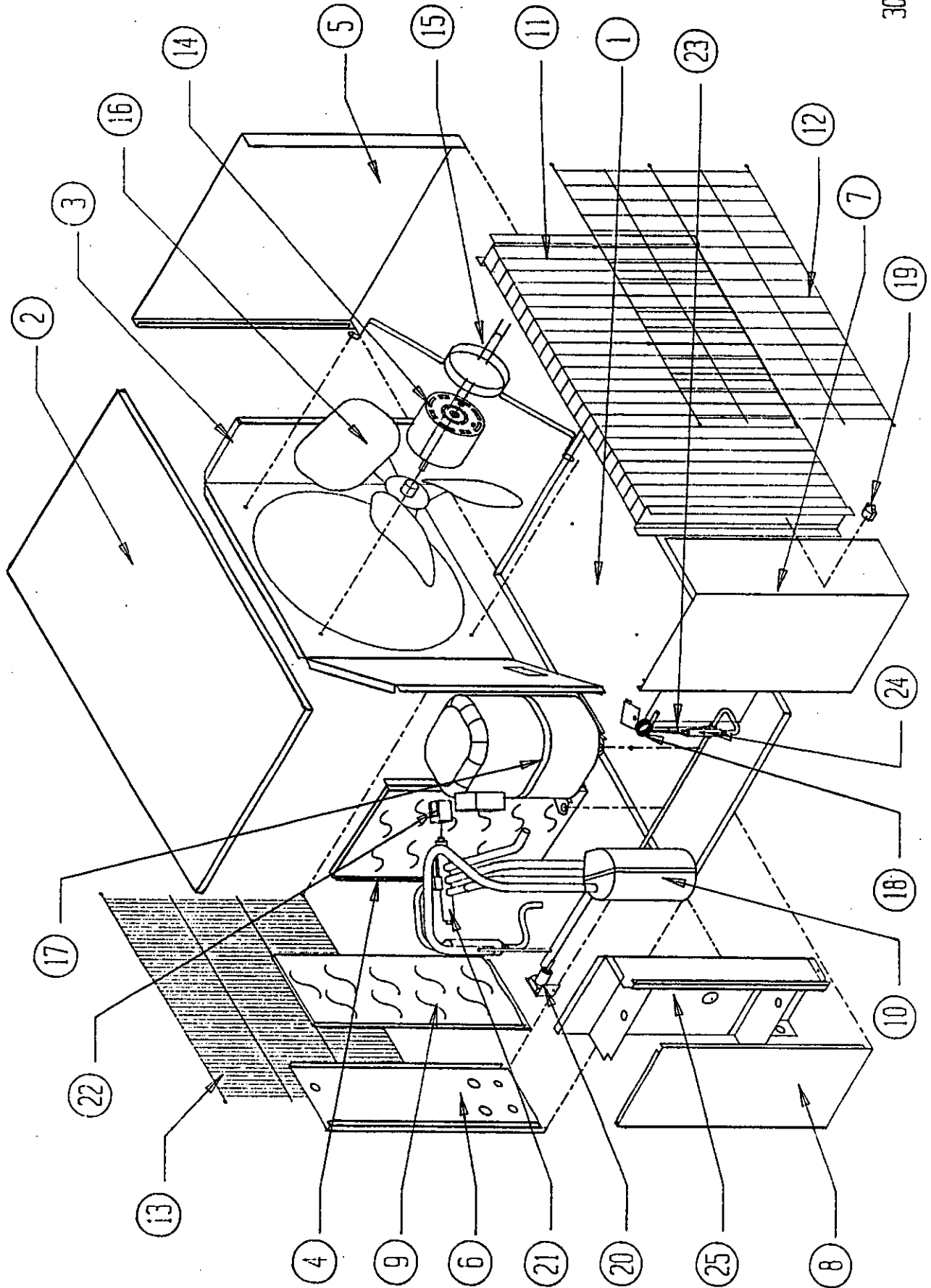
Item	Part No.	Description	18HPQ5	24HPQ5
Basic Unit Parts List Fig. 1				
1	127-016	Base	x	x
2	106-015	Top	x	x
3	124-005	Fan Shroud	x	x
4	148-027	Corner--Compressor	x	x
5	100-122	Side	x	x
6	152-014	Door - Compressor Access	x	x
7	148-037	Corner - Condenser	x	x
8	132-020	Control Panel Cover	x	x
9	5202-014	Accumulator	x	x
10	5051-008	Condenser Coil	x	x
11	7051-009	Condenser Grille	x	x
12	7051-010	Inlet Grille	x	x
13	8103-008	Motor - Fan 1/5	x	x
14	8200-001	Motor Mount - Fan	x	x
15	5151-001	Fan Blade TF1839	x	x
16	8000-100	Compressor AW5517F	x	
16	8000-101	Compressor H23B223ABC		x
17	5811-033	Capillary Tube - Heat	1	
17	5811-034	Capillary Tube - Heat		1
18	8408-017	Defrost Thermostat	x	x
19	8406-010	High Pressure Switch	x	x
20	5650-005	Reversing Valve	x	x
21	5650-008	Solenoid Coil	x	x
22	5651-036	Check Valve	x	x
23	5210-002	Strainer	x	x
24	*	Control Panel *See control panel drawing	x	x
Control Panel Parts List Fig. 2				
1	8552-045	Capacitor 30/370		x
1	8552-027	Capacitor 25/370	x	
2	8552-002	Capacitor 5/370	x	x
3	8401-007	Contacto - Comp 25A	x	x
4	8201-047	Relay Defrost	x	x
5	8201-015	Relay - Emergency Heat	x	x
6	8201-024	Relay - Compressor Fault	x	x
7	8612-012	Defrost Timer	x	x
8	8607-011	Terminal Board	x	x
9	SK109		Field Ins.	Field Ins.
10	CGAH-4	5 Min. Time Delay	Field Ins.	Field Ins.
11	8408-008	Outdoor Thermostat	Field Ins.	Field Ins.
	4026-110	Wiring Diagram	x	x

Minimum net billing \$15.00. Supersedes all previous lists.  
Subject to change without notice.

BASIC UNIT PARTS LIST  
SPLIT SYSTEM HEAT PUMPS

Page: M1  
Date: 04/27/89

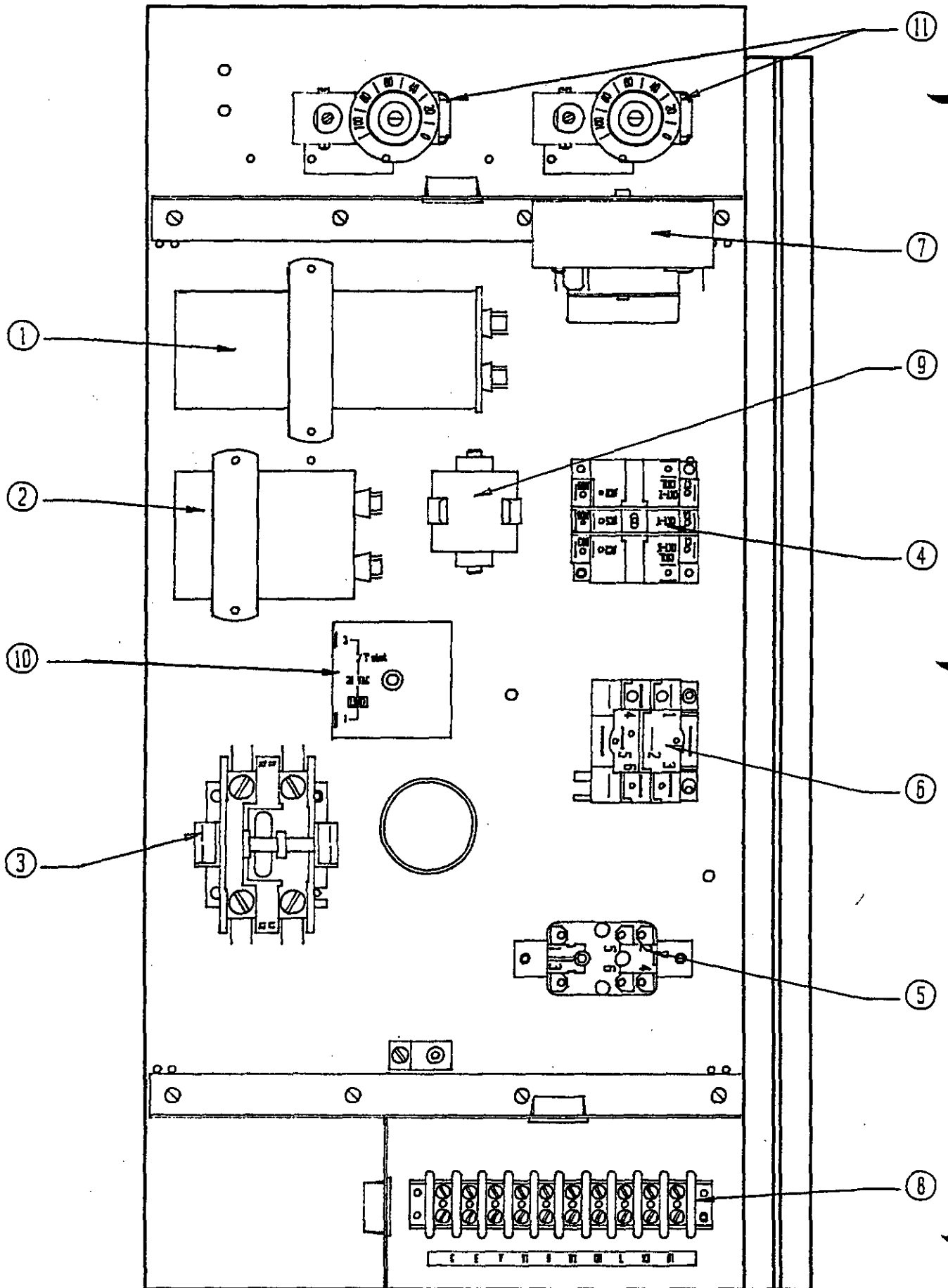
Dwg. No.	Part No.	Description	3	3	3	3	3	3
			O	O	O	6	6	6
			H	H	H	H	H	H
			P	P	P	P	P	P
			Q	Q	Q	Q	Q	Q
			6	6	6	7	7	7
				B	C		B	C
1	127-019	Base	X	X	X	X	X	X
2	507-018	Top	X	X	X	X	X	X
3	124-008	Fan Shroud	X	X	X	X	X	X
4	520-020	Compressor Partition	X	X	X	X	X	X
5	100-124	Side Right	X	X	X	X	X	X
6	148-032	Corner--Control Box	X	X	X	X	X	X
7	548-042	Corner--Condenser	X	X	X	X	X	X
8	132-021	Control Panel Control	X	X	X	X	X	X
9	552-017	Door--Compressor Access	X	X	X	X	X	X
10	5202-016	Accumulator	X	X	X	X	X	X
11	5051-003	Condenser Coil	X	X	X			
11	5051-053	Condenser Coil				X	X	X
12	7051-001	Condenser Grille	X	X	X	X	X	X
13	7051-003	Inlet Grille	X	X	X	X	X	X
14	8103-009	Motor--Fan 1/5	X	X		X	X	
14	8103-014	Motor--Fan 1/5 460V			X			X
15	8200-001	Motor Mount--Fan	X	X	X	X	X	X
16	5151-007	Fan Blade	X	X	X	X	X	X
17	8000-103	Compressor AW5532F	X					
17	8000-053	Compressor CRG3-0250-TF5		X				
17	8000-054	Compressor CRG3-0250-TFD			X			
17	8000-087	Compressor H23A383ABCA				X		
17	8000-088	Compressor AV145RT					X	
17	8000-089	Compressor AV145TT						X
18	5811-020	Capillary Tube--Heat	1	1	1			
18	5811-012	Capillary Tube--Heat				2	2	2
19	8408-017	Defrost Thermostat	X	X	X	X	X	X
20	8406-010	High Pressure Switch	X	X	X	X	X	X
21	5650-013	Reversing Valve	X	X	X			
21	5650-006	Reversing Valve				X	X	X
22	5650-008	Solenoid Coil	X	X	X	X	X	X
23	5651-036	Check Valve	X	X	X	X	X	X
24	5210-002	Strainer	X	X	X			
24	5210-004	Strainer				X	X	X
25	*	Control Panel *See control panel drawing	X	X	X	X	X	X
	5625-061	Restrictor w/.061" Orifice	X	X	X			
	5625-063	Restrictor w/.063" Orifice				X	X	X



PARTS LIST  
SPLIT SYSTEM HEAT PUMPS  
CONTROL PANEL

Page: M3  
Date: 04/27/89

Dwg. No.	Part No.	Description	3 0 H P Q 6	3 0 H P Q 6   B	3 0 H P Q 6   C	3 6 H P Q 7	3 6 H P Q 7   B	3 6 H P Q 7   C
1	8552-043	Capacitor 45/370V	x					
1	8552-028	Capacitor 35/440V				x		
2	8552-002	Capacitor 5/370	x	x	x	x	x	x
3	8401-007	Contactora--Comp 25A	x			x		
3	8401-002	Contactora--Comp 25A		x	x		x	x
4	8201-047	Relay--Defrost	x	x		x	x	
4	8201-032	Relay--Defrost			x			x
5	8201-015	Relay--Emergency Heat	x	x	x	x	x	x
6	8201-024	Relay--Compressor Fault	x			x		
7	8612-012	Defrost Timer	x	x	x	x	x	x
8	8607-011	Terminal Board	x	x	x	x	x	x
9	SK109	Low Voltage Start Kit	Fie Ins			Fie Ins		
10	CGAH-4	5 Min. Time Delay	<--Field Installed-->					
11	8408-008	Outdoor Thermostat	<--Field Installed-->					
	4028-110	Wiring Diagram	x			x		
	4028-210	Wiring Diagram		x			x	
	4028-310	Wiring Diagram			x			x



30-36 HPQ CONTROL PANEL





**PARTS LIST**  
**SPLIT SYSTEM HEAT PUMP**  
**CONTROL PANEL PARTS LIST FIG. 2**

4/13/88

Item	Part No.	Description	42HPQ4	42HPQ4-B	42HPQ4-C	48HPQ5	48HPQ5-B	48HPQ5-C	60HPQ5	60HPQ5-B	60HPQ5-C
1	8552-030	Capacitor 40/440V	1			1					
1	8552-043	Capacitor 45/370V							1		
2	8552-043	Capacitor 45/370V							1		
3	8401-010	Contactor - Comp 30A	x			x					
3	8401-002	Contactor - Comp 25A		x	x		x	x			x
3	8401-011	Contactor - Comp 30A								x	
3	8401-001	Contactor - Comp 35A							x		
4	8201-047	Relay Defrost	x	x	x	x	x	x	x	x	x
5	8552-026	Capacitor 15/370V	x	x	x	x	x	x	x	x	x
6	8201-024	Relay - Compressor Fault	x			x			x		
7	8612-012	Timer	x	x	x	x	x	x	x	x	x
8	8607-011	Terminal Block	x	x	x	x	x	x	x	x	x
9	SK108	Low Voltage Start Kit	Fld. Ins.			Fld. Ins.			Fld. Ins.		
10	CGAH-4	5 Min. Time Delay	FIELD INSTALLED								
11	8408-008	Outdoor Thermostat									
	4040-110	Wiring Diagram	x			x					
	4040-111	Wiring Diagram							x		
	4040-210	Wiring Diagram		x			x			x	
	4040-310	Wiring Diagram			x			x			x

PARTS LIST  
SPLIT SYSTEM HEAT PUMP  
BASIC UNIT PARTS LIST FIGURE 2

Page: N3  
Date: 12/1/88

Item	Part No.	Description	4	4	4	4	4	4	6	6	6
			2	2	2	8	8	8	0	0	0
			H	H	H	H	H	H	H	H	H
			P	P	P	P	P	P	P	P	P
			Q	Q	Q	Q	Q	Q	Q	Q	Q
			4	4	4	5	5	5	5	5	5
			-	-	-	-	-	-	-	-	-
			B	C		B	C		B	C	
1	8552-030	Capacitor 40/440V	1			1					
1	8552-043	Capacitor 45/370V							1		
2	8552-043	Capacitor 45/370V							1		
3	8401-010	Contactor--Comp 30A	x			x					
3	8401-002	Contactor--Comp 25A		x	x		x	x			x
3	8401-011	Contactor--Comp 30A								x	
3	8401-025	Contactor--Comp 35A							x		
4	8201-047	Relay Defrost	x	x	x	x	x	x	x	x	x
5	8552-026	Capacitor 15/370V	x	x	x	x	x	x	x	x	x
6	8201-024	Relay--Compressor Fault	x			x			x		
7	8612-012	Timer	x	x	x	x	x	x	x	x	x
8	8607-011	Terminal Block	x	x	x	x	x	x	x	x	x
9	SK108	Low Voltage Kit	Fld Ins			Fld Ins			Fld Ins		
10	CGAH-404	5 Min. Time Delay	<-----Field Installed----->								
11	8408-008	Outdoor Thermostat	<-----Field Installed----->								
	4040-110	Wiring Diagram	x			x					
	4040-111	Wiring Diagram							x		
	4040-210	Wiring Diagram		x			x			x	
	4040-310	Wiring Diagram			x			x			x

PARTS LIST  
WATER SOURCE  
SPLIT HEAT PUMPS

Page: 01  
Date: 11/09/88

Part No.	Description	WQS30	WQSD30	WQS36	WQSD36	WQS50	WQSD50
917-0006	Condenser Coil Assembly w/Insulation	X	X				
917-0007	Condenser Coil Assembly w/Insulation			X	X		
5020-026	Insulation Jacket	X	X	X	X		
5052-004	Desuperheater Coil VS-1/2						X
5052-005	Desuperheater Coil VB-1/3		X		X		
917-0009	Condenser Coil Assembly w/Insulation					X	X
5021-0336	Insulation Jacket					X	X
5202-016	Accumulator					X	X
5202-013	Accumulator	X	X	X	X		
5210-004	Strainer--Heating	X	X	X	X		
5210-005	Strainer--Heating					X	X
5650-005	Reversing Valve	X	X				
5650-006	Reversing Valve					X	X
5650-008	Reversing Valve Solenoid	X	X	X	X	X	X
5650-009	Reversing Valve			X	X		
5650-011	Solenoid Valve GS300		X		X		X
5651-036	Check Valve	X	X	X	X	X	X
5811-017	Capillary Tube--Heating			(2)	(2)		
5811-021	Capillary Tube--Heating					(2)	(2)
5811-033	Capillary Tube--Heating	(2)	(2)				
8000-052	Compressor CRG3-0250-PFV-270			X	X		
8000-071	Compressor AB225HT-015-A4	X	X				
8000-072	Compressor AV144ET-001-A4					X	X
8201-037	Relay--Lockout	X	X	X	X	X	X
8201-038	Relay--Staging and Changeover	(2)	(2)	(2)	(2)	(2)	(2)
8300-001	Water Pump 230V		X		X		X
8401-007	Contact--Compressor	X	X	X	X	X	X
8406-015	Low Pressure Switch	X	X	X	X	X	X
8406-016	High Pressure Switch	X	X	X	X	X	X
8408-007	Water Pump Thermostat		X		X		X
8552-007	Capacitor--Compressor 20/15--370V	X	X				
8552-030	Capacitor--Compressor 40/440V					X	X
8552-035	Capacitor--Compressor 40/370V			X	X		
8607-011	Terminal Board--24V	X	X	X	X	X	X

PARTS LIST  
SINGLE PACKAGE HEAT PUMPS

Page: P1  
Date: 05/10/89

Part No.	Description	PH25	PH314	PH364	PH364-B	PH364-C 460V
4065-110	Wiring Diagram			X		
4065-111	Wiring Diagram		X			
4065-114	Wiring Diagram	X				
4065-210	Wiring Diagram				X	
4065-310	Wiring Diagram					X
5051-003	Condenser Coil			X	X	X
5051-042	Condenser Coil	X	X			
5060-023	Evaporator Coil		X	X	X	X
5060-037	Evaporator Coil	X				
5151-004	Fan Blade TP2026 cw		X	X	X	X
5151-034	Fan Blade BT2026-2	X				
*	Blower Housing 10-8	X	X	X	X	X
5152-008	Blower Wheel DD10-4A	X				
5152-013	Blower Wheel DD10-8A		X	X	X	X
5202-014	Accumulator	X	X			
5202-015	Accumulator			X	X	X
5210-002	Strainer			X	X	X
5210-004	Strainer	(2)	(2)	X	X	X
5451-011	Motor Mounting Parts	X	X	X	X	X
5650-005	Reversing Valve	X	X			
5650-008	Solenoid Coil	X	X	X	X	X
5650-013	Reversing Valve			X	X	X
5651-036	Check Valve	X	X	X	X	X
5811-009	Capillary Tube--Cool	(2)				
5811-014	Capillary Tube--Heat & Cool		(4)			
5811-021	Capillary Tube--Heat			X	X	X
5811-034	Capillary Tube--Cool			(2)	(2)	(2)
5811-037	Capillary Tube--Heat	(2)				
7051-001	Condenser Grille	X	X	X	X	X
7051-015	Wire Grille--Inlet	(2)	(2)	(2)	(2)	(2)
8000-058	Compressor CRJ3-0300-PFV			X		
8000-059	Compressor CRJ3-0300-TF5				X	
8000-060	Compressor CRJ3-0300-TFD					X
8000-090	Compressor H22B233ABCA	X				
8000-092	Compressor H23A303ABCA		X			
8103-009	Motor--Fan 1/5		X	X	X	
8103-014	Motor--Fan 1/5 cw					X
8103-016	Motor--Fan	X				
8105-016	Motor--Blower 1/3 ccw					X
8105-024	Motor--Blower 1/3 ccw		X	X	X	
8105-032	Motor--Blower 1/3 ccw	X				
8200-001	Motor Mount--Fan	X	X	X	X	X
8200-033	Motor Mount Band	X	X	X	X	X
8200-034	Motor Mount Arm		3	3	3	3
8200-036	Motor Mount Arm	3				
8201-008	Relay--Blower	X	X	X	X	
8201-013	Relay--Emergency Heat	X	X	X	X	X
8201-024	Relay--Compressor Fault	X	X	X		
8201-032	Relay--Blower					(2)
8201-047	Relay--Defrost	X	X	X	X	X

\*Please order by model number.

PARTS LIST  
SINGLE PACKAGE HEAT PUMPS

Page: P2  
Date: 7/13/88

Part No.	Description	PH25	PH314	PH364	PH364-B	PH364-C 460V
8401-002	Contacto--3P25A				X	X
8401-007	Contacto--1P25A	X	X	X		
8406-010	High Pressure Switch	X	X	X	X	X
8407-035	Transformer 55VA	X	X	X	X	
8407-037	Transformer--Stepdown					X
8408-016	Defrost Thermostat	X	X	X	X	X
8552-002	Capacitor--Fan and Blower 5/370	(2)	(2)	(2)	(2)	(2)
8552-028	Capacitor--Comp. 35/440V			X		
8552-032	Capacitor--Comp. 35/370V	X				
8552-035	Capacitor--Comp. 40/370V		X			
8605-010	Crankcase Heater		X			
8607-010	Terminal Board 24V	X	X	X	X	X
8607-013	Terminal Block 230V	X	X	X		
8607-014	Terminal Block 230V				X	X
8607-015	Phenolic Insulator					X
8612-012	Timer	X	X	X	X	X

PARTS LIST  
SINGLE PACKAGE HEAT PUMPS

Page: Q1  
Date: 05/12/89

Part No.	Description	P	P	P	P	P	P	P	P	P
		H	H	H	H	H	H	H	H	H
		4	4	4	4	4	4	4	6	6
		2	2	2	8	8	8	0	0	0
		1	1	1	4	4	4	5	5	5
			B	C		B	C		B	C
				460V			460V			460V
4066-110	Wiring Diagram							X		
4066-111	Wiring Diagram	X			X					
4066-210	Wiring Diagram		X			X			X	
4066-310	Wiring Diagram			X			X			X
5051-029	Condenser Coil	X	X	X	X	X	X	X	X	X
5060-025	Evaporator Coil	X	X	X	X	X	X	X	X	X
5151-029	Fan Blade T10H08-2436 ccw	X	X	X	X	X	X			
5151-030	Fan Blade T10H08-2428 ccw							X	X	X
5202-011	Accumulator	X	X	X	X	X	X			
5202-017	Accumulator							X	X	X
*	Blower Housing	X	X	X	X	X	X	X	X	X
5152-015	Blower Wheel DD10-10A				X	X	X	X	X	X
5152-045	Blower Wheel 10-9	X	X	X						
5210-005	Strainer	(2)	(2)	(2)	(2)	(2)	(2)	(2)	(2)	(2)
5650-006	Reversing Valve	X	X	X	X	X	X			
5650-008	Reversing Valve Solenoid Coil	X	X	X	X	X	X	X	X	X
5650-010	Reversing Valve							X	X	X
5651-036	Check Valve	X	X	X	X	X	X	X	X	X
5811-016	Capillary Tube--Cool	(2)	(2)	(2)						
5811-020	Capillary Tube--Cool & Heat	(2)	(2)	(2)	(2)	(2)	(2)			
5811-027	Capillary Tube--Heat				(2)	(2)	(2)			
5811-027	Capillary Tube--Cool							(2)	(2)	(2)
5811-032	Capillary Tube--Heat							(2)	(2)	(2)
7051-005	Condenser Grille	X	X	X	X	X	X	X	X	X
7051-007	Wire Grille--Inlet	(2)	(2)	(2)	(2)	(2)	(2)	(2)	(2)	(2)
8000-049	Compressor AG133UT-003-A4									X
8000-063	Compressor CRK3-0325-PFV-270	X								
8000-064	Compressor CRK3-0325-TF5-270		X							
8000-065	Compressor CRK3-0325-TFD-270			X						
8000-074	Compressor AG134ET-002-A4							X		
8000-075	Compressor AG134RT-002-A4								X	
8000-081	Compressor AV168ET-005-A4				X					
8000-082	Compressor AV169RT-012-A4					X				
8000-083	Compressor AV169TT-013-A4						X			
8105-021	Motor--Fan 1/3 hp	X	X	X	X	X	X			
8106-015	Motor--Blower 1/2 hp	X	X	X	X	X	X	X	X	X
8106-016	Motor--Fan 1/2 hp							X	X	X
8200-003	Motor Mount--Blower	X	X	X						
8200-004	Motor Mount--Fan	X	X	X	X	X	X	X	X	X
8200-033	Motor Mount Band	X	X	X	X	X	X	X	X	X
8200-034	Motor Mount Arm	3	3	3	3	3	3	3	3	3

\*Please order by model number.

PARTS LIST  
SINGLE PACKAGE HEAT PUMPS

Page: Q2  
Date: 05/10/89

Part No.	Description	P	P	P	P	P	P	P	P
		H	H	H	H	H	H	H	H
		4	4	4	4	4	4	6	6
		2	2	2	8	8	8	0	0
		1	1	1	4	4	4	5	5
			B	C		B	C		B
				460V			460V		460V
8201-008	Relay--Blower	X	X	X	X	X	X	X	X
8201-013	Relay--Emergency Heat	X	X	X	X	X	X	X	X
8201-024	Relay--Compressor Fault	X			X			X	
8201-045	Relay--Time Delay							X	
8201-047	Relay--Defrost	X	X	X	X	X	X	X	X
8401-002	Contacto 30D0-30		X	X		X	X		X
8401-003	Contacto R8243A1007				X				
8401-007	Contacto R8242A1008	X							
8401-011	Contacto 30B0-30							X	
8401-016	Contacto R8243A1189						X		
8406-010	High Pressure Switch	X	X	X	X	X	X	X	X
8407-004	Transformer--Stepdown			X			X		X
8407-035	Transformer	X	X	X	X	X		X	X
8407-036	Transformer						X		
8408-016	Defrost Thermostat	X	X	X	X	X	X	X	X
8552-004	Capacitor--Fan 7-1/2 /370V						X	X	X
8552-005	Capacitor--Blower 10/370V	X	X	X	X	X	X	X	X
8552-026	Capacitor--Fan 15/370V	X	X	X	X	X			
8552-030	Capacitor--Comp. 40/440V	X			X				
8552-043	Capacitor--Comp. 45/370V						(2)		
8607-010	Terminal Board	X	X	X	X	X	X	X	X
8607-013	Terminal Block	X			X			X	
8607-014	Terminal Block		X	X		X		X	X
8607-017	Terminal Block			X			X		X
8612-012	Timer 30/60 Min.	X	X	X	X	X	X	X	X
8614-036	Circuit Breaker						X		

SQ2/PARTSLIST/TEXTLIB

PARTS LIST  
SINGLE PACKAGE HEAT PUMPS

Page: R1  
Date: 05/10/89

Part No.	Description	MH30B	MH36B	MH42B
4059-110	Wiring Diagram	X		
4059-120	Wiring Diagram		X	X
5051-031	Condenser Coil			X
5051-033	Condenser Coil	X	X	
5060-030	Evaporator Coil	X		X
5060-033	Evaporator Coil		X	
5151-028	Fan Blade Y10H9.5-2028	X	X	X
*	Blower Housing 10-8	X	X	X
5152-013	Blower Wheel DD10-8A	X	X	X
5153-022	Rain Shield	X	X	X
5202-014	Accumulator	X		
5202-015	Accumulator		X	
5202-016	Accumulator			X
5210-004	Strainer	X	X	X
5210-006	Strainer	X	X	X
5451-009	Motor Mounting Parts	X	X	X
5650-005	Reversing Valve	X		
5650-006	Reversing Valve			X
5650-009	Reversing Valve		X	
5650-012	Solenoid Coil	X	X	X
5651-036	Check Valve	X	X	X
5811-001	Capillary Tube--Cool	(4)	(4)	
5811-008	Capillary Tube--Heat	(2)		(2)
5811-012	Capillary Tube--Cool			(4)
5811-033	Capillary Tube--Heat		(2)	
7051-014	Fan Guard	X	X	X
7051-016	Wire Grille	X	X	X
8000-058	Compressor CRJ1-0300		X	
8000-080	Compressor AB233FT	X		
8000-081	Compressor AV168ET			X
8105-023	Motor--Fan 1/3 hp	X	X	X
8105-024	Motor--Blower 1/3 hp	X	X	X
8200-033	Motor Mount Band	X	X	X
8200-034	Motor Mount Arm	3	3	3
8200-022	Motor Mount--Fan	X	X	X
8201-008	Relay--Blower	X	X	X
8201-013	Relay--Emergency Heat	X	X	X
8201-047	Relay--Defrost	X	X	X
8401-003	Contactactor 1P30A			X
8401-007	Contactactor R8242A1008	X	X	
8406-022	High Pressure Switch	X	X	X
8407-035	Transformer	X	X	X
8408-016	Defrost Thermostat	X	X	X
8552-002	Capacitor 5/370V	(2)	(2)	(2)
8552-007	Capacitor 20/15-370V	X		
8552-028	Capacitor 35/440V		X	
8552-030	Capacitor 40/440V			X
8607-010	Terminal Board	X	X	X
8607-013	Terminal Block 2 pole	X	X	X
8612-012	Timer	X	X	X

\*Please order by model number.



PARTS LIST  
SINGLE PACKAGE HEAT PUMPS

Page: S1  
Date: 05/12/89

Part No.	Description	R	R	R	R	R	R
		P	P	P	P	P	P
		M	M	M	M	M	M
		H	H	H	H	H	H
		3	3	3	3	3	3
		O	O	O	6	6	6
		B	B	B	B	B	B
			B	C		B	C
4071-110	Wiring Diagram	X			X		
4071-210	Wiring Diagram		X			X	
4071-310	Wiring Diagram			X			X
5051-003	Condenser Coil	X	X	X	X	X	X
5060-022	Evaporator Coil	X	X	X	X	X	X
5151-031	Fan Blade	X	X	X	X	X	X
5202-014	Accumulator	X	X	X			
5202-016	Accumulator				X	X	X
*	Blower Housing 10-8	X	X	X	X	X	X
5152-010	Blower Wheel DD10-7A	X	X	X	X	X	X
5153-022	Rain Shield	X	X	X	X	X	X
5210-002	Strainer	X	X	X	X	X	X
5210-004	Strainer	X	X	X	X	X	X
5451-009	Motor Mounting Parts--Fan	X	X	X	X	X	X
5650-005	Reversing Valve	X	X	X			
5650-012	Solenoid Coil	X	X	X	X	X	X
5650-014	Reversing Valve				X	X	X
5651-036	Check Valve	X	X	X	X	X	X
5811-016	Capillary Tube--Heat	X	X	X			
5811-021	Capillary Tube--Heat				X	X	X
5811-033	Capillary Tube--Cool	(2)	(2)	(2)	(2)	(2)	(2)
7004-015	Filter	X	X	X	X	X	X
7051-014	Fan Guard	X	X	X	X	X	X
8000-052	Compressor--CRG3-0250-PFV-270	X					
8000-053	Compressor--CRG3-0250-TF5-270		X				
8000-054	Compressor--CRG3-0250-TFD-270			X			
8000-055	Compressor--CRH3-0275-PFV-270				X		
8000-056	Compressor--CRH3-0275-TF5-270					X	
8000-057	Compressor--CRH3-0275-TFD-270						X
8103-013	Motor--Fan 1/5 hp	X	X	X	X	X	X
8105-010	Motor--Blower 1/3 hp	X	X	X	X	X	X
8200-033	Motor Mount Band	X	X	X	X	X	X
8200-034	Motor Mount Arm	3	3	3	3	3	3
8201-008	Relay--Blower	X	X	X	X	X	X
8201-013	Relay--Emergency Heat	X	X		X	X	
8201-031	Relay--Compressor Fault	X			X		
8201-047	Relay--Defrost	X	X	X	X	X	X
8401-002	Contactoer 3P35A		X	X		X	X
8401-007	Contactoer 1P25A	X			X		
8406-011	High Pressure Switch	X	X	X	X	X	X
8407-003	Transformer--Stepdown 1.5 KVA			X			X
8407-035	Transformer	X	X	X	X	X	X
8408-016	Defrost Thermostat	X	X	X	X	X	X

\*Please order by model number.



PARTS LIST  
SINGLE PACKAGE HEAT PUMPS

Page: T1  
Date: 05/10/89

Part No.	Description	R	R	R	R	R	R	R	R	R
		P	P	P	P	P	P	P	P	P
		M	M	M	M	M	M	M	M	M
		H	H	H	H	H	H	H	H	H
		4	4	4	4	4	4	6	6	6
		2	2	2	8	8	8	0	0	0
			B	C		B	C		B	C
4076-110	Wiring Diagram	X								
4076-120	Wiring Diagram				X					
4076-130	Wiring Diagram						X			
4076-210	Wiring Diagram		X							
4076-220	Wiring Diagram					X				
4076-230	Wiring Diagram								X	
4076-310	Wiring Diagram			X						
4076-320	Wiring Diagram						X			
4076-330	Wiring Diagram				X	X	X	X	X	X
5051-029	Condenser Coil				X	X	X	X	X	X
5051-037	Condenser Coil	X	X	X						
5060-029	Evaporator Coil	X	X	X						
5060-038	Evaporator Coil				X	X	X	X	X	X
5151-026	Fan Blade	X	X	X	X	X	X	X	X	X
*	Blower Housing	X	X	X	X	X	X	X	X	X
5152-014	Blower Wheel 10-9	X	X	X	X	X	X			
5152-049	Blower Wheel 10-10						X	X	X	
5153-022	Rain Shield	X	X	X	X	X	X	X	X	X
5202-011	Accumulator	X	X	X	X	X				
5202-017	Accumulator						X	X	X	
5210-003	Strainer	X	X	X						
5210-005	Strainer	X	X	X	X	X	X	X	X	X
5210-006	Strainer				X	X	X	X	X	X
5650-006	Reversing Valve	X	X	X	X	X	X			
5650-010	Reversing Valve						X	X	X	
5650-012	Reversing Valve Solenoid Coil	X	X	X	X	X	X	X	X	X
5651-036	Check Valve	X	X	X	X	X	X	X	X	X
5811-010	Capillary Tube--Cool	(3)	(3)	(3)						
5811-020	Capillary Tube--Heat	(2)	(2)	(2)						
5811-023	Capillary Tube--Heat						(2)	(2)	(2)	
5811-026	Capillary Tube--Heat				(2)	(2)	(2)			
5811-033	Capillary Tube--Cool						(4)	(4)	(4)	
5811-036	Capillary Tube--Cool				(4)	(4)	(4)			
7004-019	Filter 16x30x1	(2)	(2)	(2)	(2)	(2)	(2)	(2)	(2)	(2)
7051-017	Grille- Condenser	X	X	X	X	X	X	X	X	X
8000-049	Compressor--AG133UT									X
8000-072	Compressor--AV144ET	X								
8000-074	Compressor--AG134ET						X			
8000-075	Compressor--AG134RT							X		
8000-081	Compressor--AV168ET				X					
8000-082	Compressor--AV169RT					X				
8000-083	Compressor--AV169TT						X			
8000-088	Compressor--AV145RT		X							

\*Please order by model number



PARTS LIST  
WATER SOURCE  
PACKAGE HEAT PUMPS

PART NO.	DESCRIPTION	WPV30	WPVD30	WPV36	WPVD36
5152-046	Blower Assembly	x	x	x	x
8552-035	Capacitor 40 MFD - 370V 2" Round			x	x
8552-007	Capacitor 20/15 MFD - 370V 2" Oval	x	x		
8552-002	Capacitor - Blower 5MFD 370V	x	x	x	x
5811-034	Capillary Tube - Heating	(2)	(2)		
5811-016	Capillary Tube - Heating			(2)	(2)
5811-012	Capillary Tube - Cooling	(3)	(3)		
5811-014	Capillary Tube - Cooling			(3)	(3)
5651-036	Check Valve	x	x	x	x
8000-071	Compressor AB225HT-015-A4	x	x		
8000-052	Compressor CRG3-0250-PFV-270			x	x
5052-001	Condenser Coil	x	x		
5052-002	Condenser Coil			x	x
8401-007	Contactora - Compressor	x	x	x	x
5052-005	Desuperheater Coil		x		x
5060-012	Evaporator Coil	x	x	x	x
7004-017	Filter 22 x 22 x 1	x	x	x	x
8406-016	High Pressure Switch	x	x	x	x
8406-015	Low Pressure Switch	x	x	x	
8105-010	Motor - Blower 1/3 hp	x	x	x	x
8200-003	Motor Mount	x	x	x	x
5451-011	Motor Mounting Parts	x	x	x	x
8201-008	Relay - Blower	x	x	x	x
8201-034	Relay - Lockout	x	x	x	x
5650-005	Reversing Valve	x	x		
5650-009	Reversing Valve			x	x
5650-008	Reversing Valve Solenoid	x	x	x	x
5210-003	Strainer-Cooling	x	x	x	x
5210-004	Strainer-Heating	x	x	x	x
8607-011	Terminal Board 24V	x	x	x	x
8407-035	Transformer	x	x	x	x
8300-001	Water Pump		x		x
8408-007	Water Pump Thermostat		x		x
8201-015	Emergency Heat Relay	x	x	x	x
5650-011	Solenoid Valve GS300		x		x
<b>OPTIONAL ITEMS:</b>					
8604-080	Duct Heater 5Kw	x	x	x	x
8604-081	Duct Heater 9.8Kw	x	x	x	x
8604-082	Duct Heater 14.7Kw	x	x	x	x
8604-083	Duct Heater 19.2Kw	x	x	x	x
8603-010	Constant flow valve 4 GPM	x	x		
8603-011	Constant flow valve 5 GPM			x	x
8603-006	Solenoid valve 24V	x	x	x	x

PARTS LIST  
WATER SOURCE  
PACKAGE HEAT PUMPS

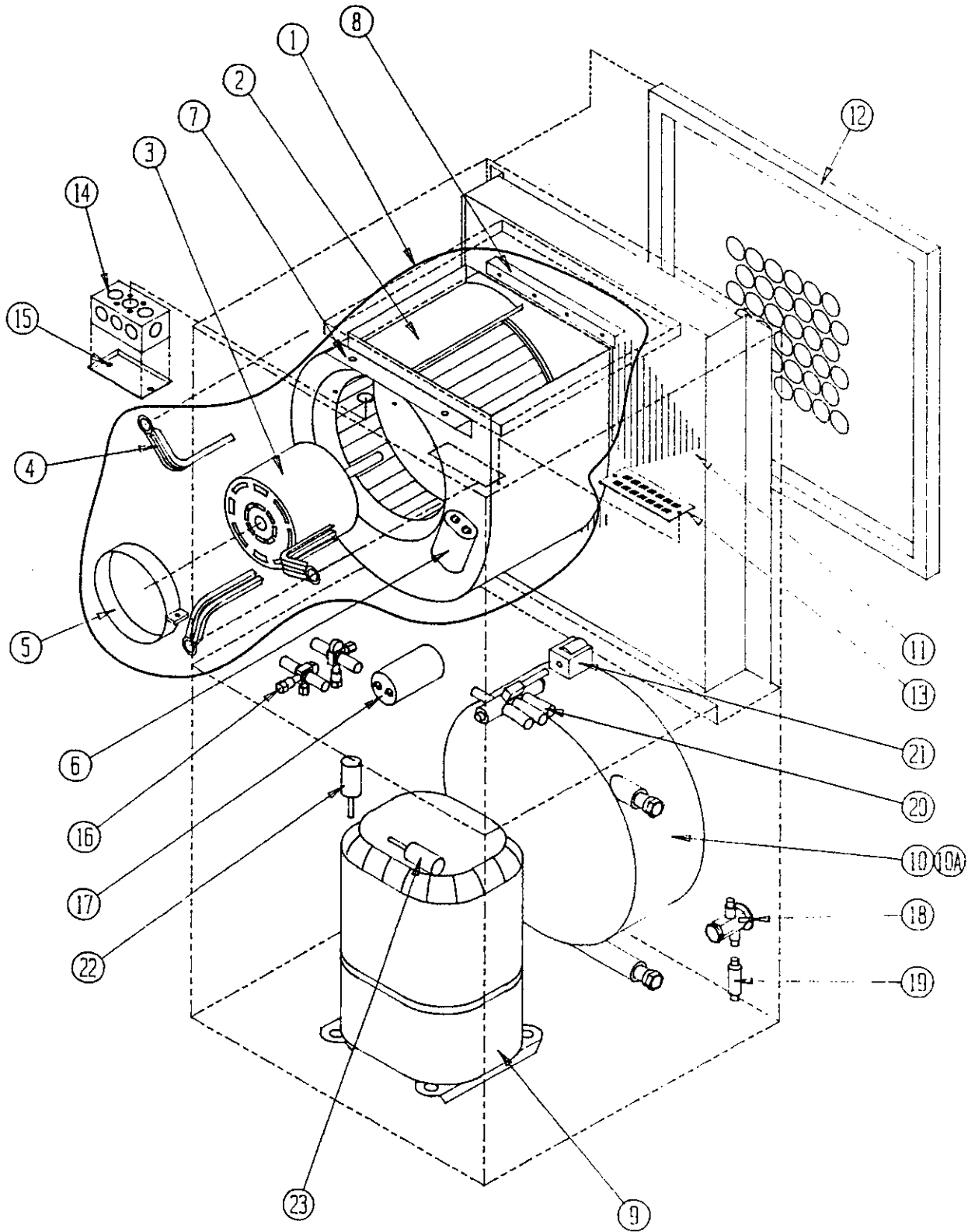
1/88

Part No.	Description	WPV30A	WPVD30A	WPV36A	WPVD36A
5152-046	Blower Assembly	x	x	x	x
8552-035	Capacitor 40/370V 2" round			x	x
8552-007	Capacitor 20/15-370V 2" oval	x	x		
8552-002	Capacitor - blower 5/370V	x	x	x	x
8000-071	Compressor AB225HT-015-A4	x	x		
8000-052	Compressor CRG3-0250-PFV-270			x	x
5052-001	Condenser Coil	x	x		
5052-002	Condenser Coil			x	x
8401-007	Contactora - Compressor	x	x	x	x
5052-005	Desuperheater Coil		x		x
5060-012	Evaporator Coil	x	x	x	x
5651-041	Expansion Valve	x	x	x	x
7004-017	Filter 22x22x1	x	x	x	x
8406-016	High Pressure Switch	x	x	x	x
8105-010	Motor - Blower 1/3 hp	x	x	x	x
8200-003	Motor Mount	x	x	x	x
5451-011	Motor Mounting Parts	x	x	x	x
8201-008	Relay - Blower	x	x	x	x
8201-034	Relay - Lockout	x	x	x	x
5650-005	Reversing Valve	x	x		
5650-009	Reversing Valve			x	x
5650-008	Reversing Valve Solenoid	x	x	x	x
5210-010	Strainer	(2)	(2)	(2)	(2)
8607-011	Terminal Board 24V	x	x	x	x
8407-035	Transformer	x	x	x	x
8300-001	Water Pump		x		x
8408-007	Water Pump Thermostat		x		x
8201-015	Emergency Heat Relay	x	x	x	x
5650-011	Solenoid Valve GS300		x		x
8408-005	Comp. Terminating Thermostat	x	x	x	x
<b>OPTIONAL ITEMS</b>					
8604-080	Duct Heater 5Kw	x	x	x	x
8604-081	Duct Heater 9.8Kw	x	x	x	x
8604-082	Duct Heater 14.7Kw	x	x	x	x
8604-083	Duct Heater 19.2Kw	x	x	x	x
8603-010	Constant Flow Valve 4 GPM	x	x		
8603-011	Constant Flow Valve 5 GPM			x	x
8603-006	Solenoid Valve 24V	x	x	x	x

PARTS LIST  
WATER SOURCE PACKAGE HEAT PUMPS

Page: U3  
Date: 4/04/89

	Part No.	Description	WPV30B	WPV36B
1	900-048	Blower Assembly Complete	X	X
2	5152-046	Blower Housing with Wheel and Diffuser	X	X
3	8105-010	Motor 1/3 h.p.	X	X
4	8200-036	Motor Mount Arm with Grommets	3	3
5	8200-033	Motor Mount Band	X	X
6	8552-002	Capacitor 5 MFD--370 V--1-1/4" Oval	X	X
7	104-503	Angle--Front	X	X
8	104-504	Angle--Rear	X	X
9	8000-052	Compressor CRG3-0250-PFV-270		X
9	8000-101	Compressor 703283-02-1074	X	
10	917-0018	Water Coil Assembly w/Insulation	X	
10	917-0017	Water Coil Assembly w/Insulation		X
10A	5020-026	Insulation Jacket Only	X	X
11	5060-012	Evaporator Coil	X	X
12	7004-017	Filter 22x22x1	X	X
13	8607-019	Terminal Board 24V	X	X
14	8614-002	Outlet Box 2" x 4"	X	X
15	8614-003	Blank Cover 2" x 4"	X	X
16	5651-055	Full Flow Valve 3/8"	2	
16	5651-056	Full Flow Valve 1/2"		2
17	8552-045	Capacitor 30/370 1-3/4" R	X	
17	8552-035	Capacitor 40/370V 2" round		X
18	5651-066	Expansion Valve	X	X
19	5210-010	Strainer	(2)	(2)
20	5650-005	Reversing Valve	X	
20	5650-009	Reversing Valve		X
21	5650-008	Reversing Valve Solenoid	X	X
22	8406-015	Low Pressure Switch	X	X
23	8406-016	High Pressure Switch	X	X
OPTIONAL ITEMS				
	8603-006	Solenoid Valve 24V	X	X
	8603-010	Constant Flow Valve 4 GPM	X	
	8603-011	Constant Flow Valve 5 GPM		X
	8604-080	Duct Heater 5KW	X	X
	8604-081	Duct Heater 9.8KW	X	X
	8604-082	Duct Heater 14.7KW	X	X
	8604-083	Duct Heater 19.2KW	X	X

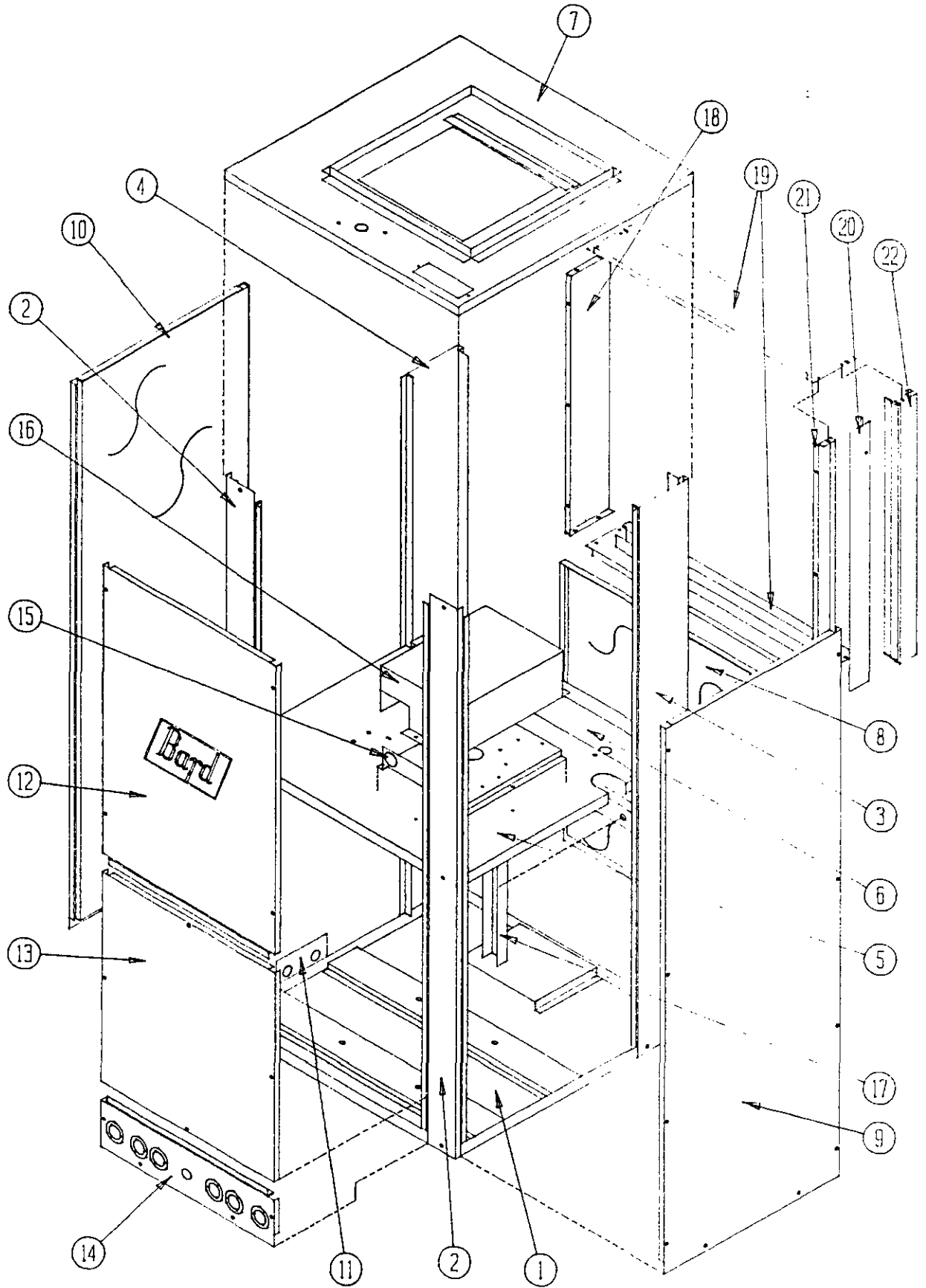




PARTS LIST  
WATER SOURCE PACKAGE HEAT PUMPS

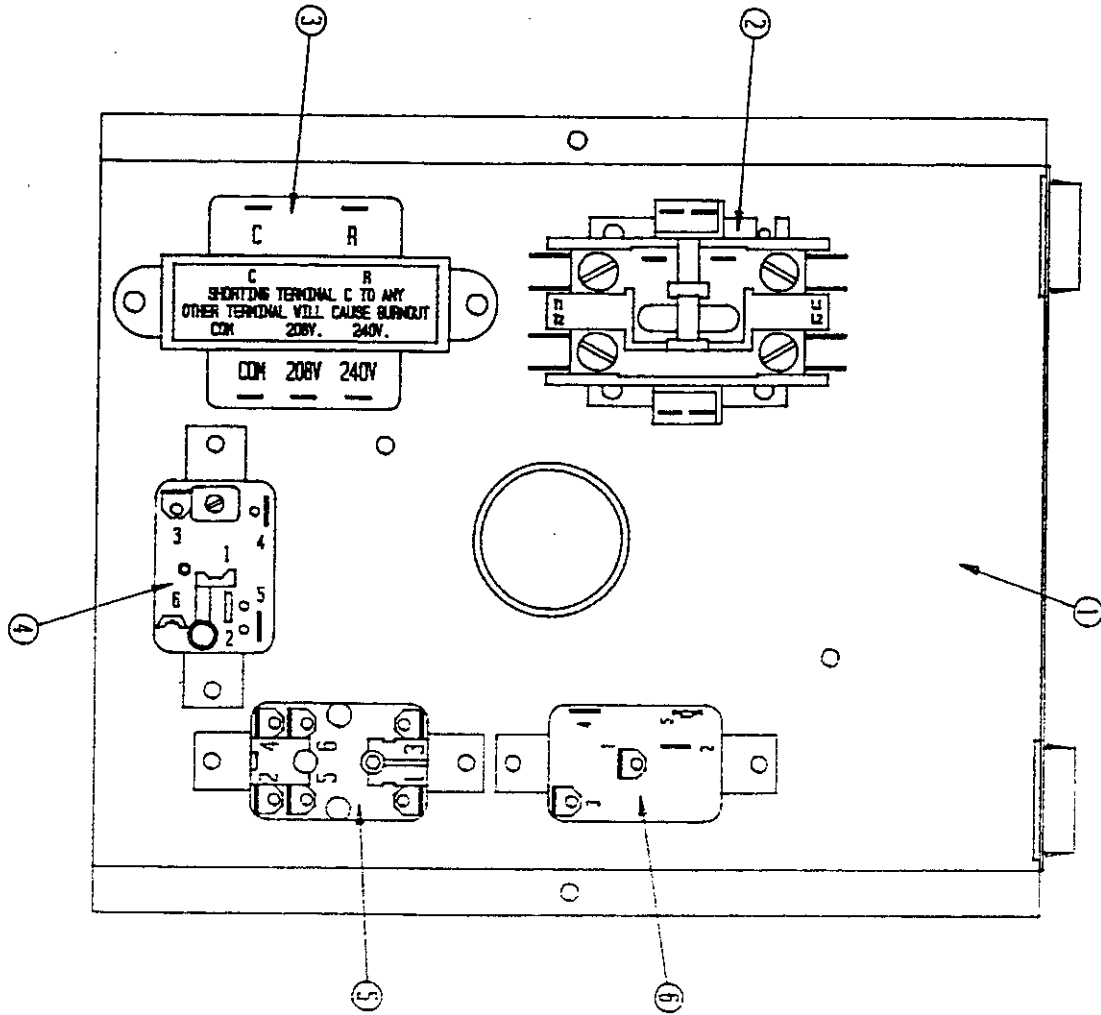
Page: U5  
Date: 04/04/89

Dwg. No.	Part No.	Description	WPV30B	WPV36B
1	127-145	Base Weld Assembly	X	X
2	548-003	Front Corner Assembly	(2)	(2)
3	549X001	Right Rear Corner Assembly	X	X
4	549Y001	Left Rear Corner Assembly	X	X
5	520-118	Partition Assembly	X	X
6	523-004	Water Pan Assembly	X	X
7	507-110	Top Assembly	X	X
8	509-072	Lower Back Assembly	X	X
9	552-006	Right Access Assembly	X	X
10	552-157	Left Access Assembly	X	X
11	156-022	Tubing Entrance Assembly	X	X
12	514-004	Top Front Assembly	X	X
13	514-005	Bottom Front Assembly	X	X
14	556-020	Water Entrance Panel Assembly	X	X
15	116-114	Control Panel	X	X
16	132-006	Control Panel Cover	X	X
17	140-143	Support--Water Coil Hold Down	X	X
18	130-008	Filter Rack Side	X	X
19	131-006	Filter Rack Top and Bottom Weld Assembly	X	X
20	130-005	Filter Rack Door	X	X
21	130-009	Filter Rack Side	(2)	(2)
22	131-007	Filter Rack Side Weld Assembly	X	X
			X	X
			X	X



PARTS LIST  
 WATER SOURCE HEAT PUMPS  
 CONTROL PANEL

Page: U7  
 Date: 04/04/89



Item	Part No.	Description	WPV30B	WPV36B
1	116-114	Control Panel	X	X
2	8401-007	Compressor Contactor	X	X
3	8407-035	Transformer	X	X
4	8201-034	Lockout Relay	X	X
5	8201-015	Emergency Heat Relay	X	X
6	8201-008	Blower Relay	X	X

PARTS LIST  
WATER SOURCE  
PACKAGE HEAT PUMPS

1/88

PART NO.	DESCRIPTION	WPV53	WPVD53	WPV62	WPVD62
5202-004	Accumulator	x	x		
* 5152-010	Blower Housing 10-7 Blower Wheel DD10-7A	x x	x x	x x	x x
8552-030	Capacitor - Comp. 40MFD-440V 2½"Round	x	x		
8552-036	Capacitor - Comp. 70MFD-370V 2½"Round			x	x
8552-004	Capacitor - Blower 7.5 MFD 370V, 1½" Oval	x	x	x	x
5811-017	Capillary Tube - Cooling	(3)	(3)		
5811-034	Capillary Tube - Heating	(3)	(3)		
5811-027	Capillary Tube - Cooling & Heating			(6)	(6)
5651-036	Check Valve	x	x	x	x
8000-072	Compressor AV144ET-001-A4	x	x		
8000-068	Compressor AG123ET-002-A4			x	x
5052-006	Condenser Coil - Cupro Nickel	x	x		
5052-007	Condenser Coil - Cupro Nickel			x	x
8401-007	Contactoer - Compressor	x	x		
8401-003	Contactoer - Compressor			x	x
5052-005	Desuperheater Coil		x		x
5060-029	Evaporator Coil	x	x	x	x
5202-007	Accumulator			x	x
7004-018	Filter 1 x 25 x 25	x	x	x	x
8406-016	High Pressure Switch	x	x	x	x
8406-015	Low Pressure Switch	x	x	x	x
8106-017	Motor - Blower 1/2 hp	x	x	x	x
8200-003	Motor Mount	x	x	x	x
5451-011	Motor Mounting Parts	x	x	x	x
8201-008	Relay - Blower	x	x	x	x
8201-015	Relay - Emergency Heat	x	x	x	x
8201-034	Relay - Impedance	x	x	x	x
5650-006	Reversing Valve	x	x	x	x
* 5650-008	Solenoid Coil	x	x	x	x
5650-011	Solenoid Valve		x		x
5210-009	Strainer	(2)	(2)	(2)	(2)
8607-011	Terminal Block	x	x	x	x
8406-020	Toggle Switch		x		x
8407-035	Transformer	x	x	x	x
8300-001	Water Pump		x		x
8408-007	Water Pump T-Stat		x		x
OPTIONAL ITEMS:					
8604-080	Duct Heater 5Kw	x	x	x	x
8604-081	Duct Heater 9.8Kw	x	x	x	x
8604-082	Duct Heater 14.7Kw	x	x	x	x
8604-083	Duct Heater 19.2 Kw	x	x	x	x
8603-007	Constant flow valve 6 GPM	x	x		
8603-008	Constant flow valve 8 GPM			x Note	x Note
8603-006	Solenoid Valve 24V	x	x	x	x

Note: (2) 8 GPM flow valves for units operating below 50° entering water temperature.

\*Please order by model number.

PARTS LIST  
WATER SOURCE PACKAGE HEAT PUMPS

Page: V2  
Date: 9/29/88

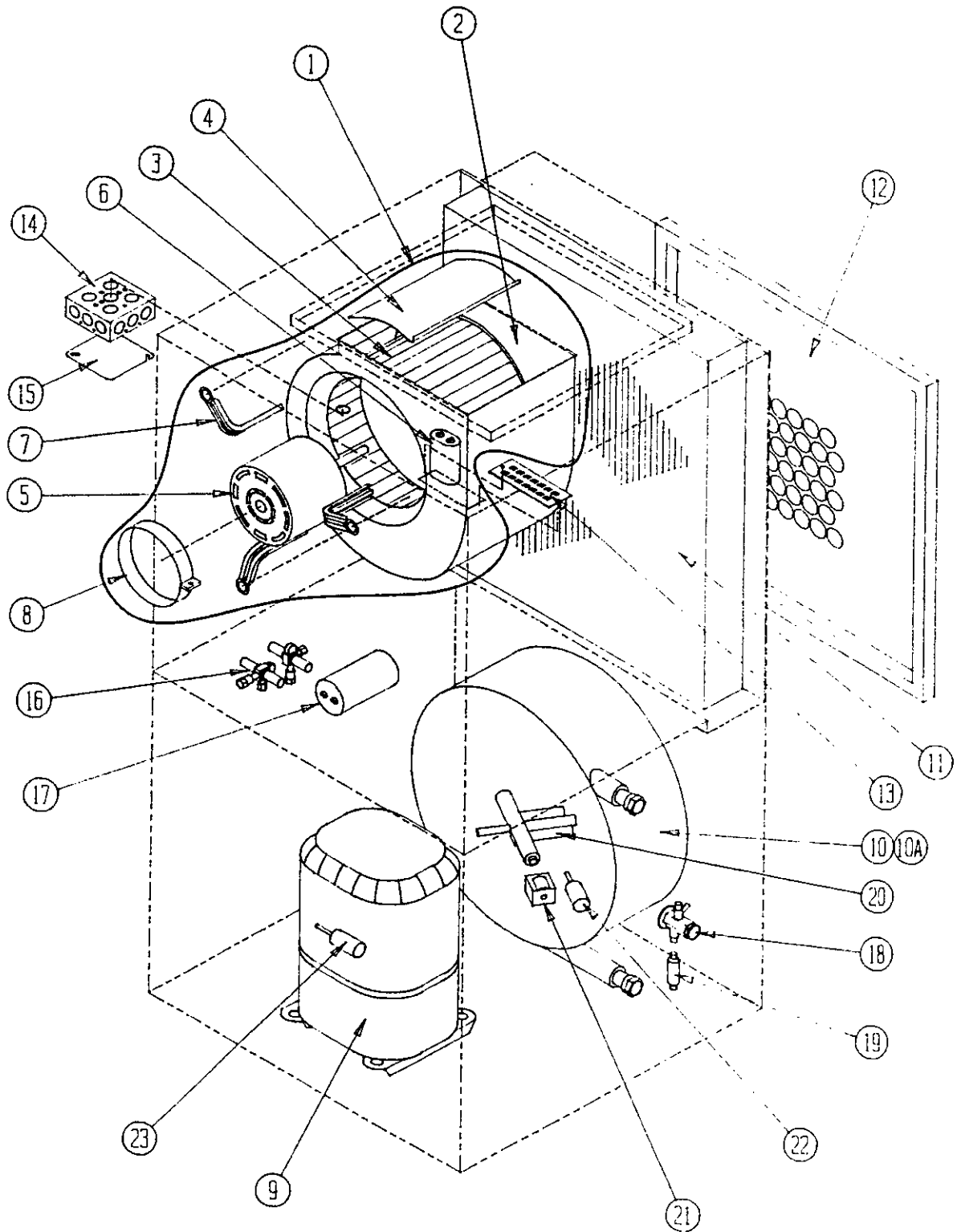
Part No.	Description	WPV53A	WPVD53A	WPV62A	WPVD62A
5052-005	Desuperheater Coil		X		X
5052-006	Condenser Coil	X	X		
5052-007	Condenser Coil			X	X
5060-029	Evaporator Coil	X	X	X	X
*	Blower Housing 10-7	X	X	X	X
5152-010	Blower Wheel DD10-7A	X	X	X	X
5210-010	Strainer	(2)	(2)	(2)	(2)
5451-011	Motor Mounting Parts	X	X	X	X
5650-006	Reversing Valve	X	X	X	X
5650-008	Solenoid Coil	X	X	X	X
5650-011	Solenoid Coil		X		X
5651-046	Expansion Valve	X	X		
5651-048	Expansion Valve			X	X
7004-018	Filter 25x25x1	X	X	X	X
8000-068	Compressor AG123ET-002-A4			X	X
8000-072	Compressor AV144ET-001-A4	X	X		
8106-017	Motor--Blower 1/2 hp	X	X	X	X
8200-003	Motor Mount	X	X	X	X
8201-008	Relay--Blower	X	X	X	X
8201-015	Relay--Emergency Heat	X	X	X	X
8201-034	Relay--Impedance	X	X	X	X
8300-001	Water Pump		X		X
8401-003	Contactora--Compressor			X	X
8401-007	Contactora--Compressor	X	X		
8401-016	High Pressure Switch	X	X	X	X
8406-020	Toggle Switch		X		X
8407-035	Transformer	X	X	X	X
8408-005	Compressor Terminating Thermostat	X	X	X	X
8408-007	Water Pump Thermostat		X		X
8552-004	Capacitor--Blower 7-1/2 /370V 1-1/4" oval	X	X	X	X
8552-030	Capacitor--Comp. 40/440V 2-1/2" round	X	X		
8552-036	Capacitor--Comp. 70/370V 2-1/2" round			X	X
8607-011	Terminal Block	X	X	X	X
OPTIONAL ITEMS					
8603-006	Solenoid Valve 24V	X	X	X	X
8603-007	Constant Flow Valve 6 GPM	X	X		
8603-008	Constant Flow Valve 8 GPM			X	X
8604-080	Duct Heater 5KW	X	X	X	X
8604-081	Duct Heater 9.8KW	X	X	X	X
8604-082	Duct Heater 14.7KW	X	X	X	X
8604-083	Duct Heater 19.2KW	X	X	X	X

\*Please order by model number.

PARTS LIST  
WATER SOURCE PACKAGE HEAT PUMPS

Page: V3  
Date: 4/4/89

Dwg. No.	Part No.	Description	WPV53B	WPV62B
1	900-140	Blower Assembly Complete	X	X
2	151-070	Blower Housing	X	X
3	5152-010	Blower Wheel DD10-7	X	X
4	144-125	Diffuser	X	X
5	8106-017	Blower Motor--1/2 h.p.	X	X
6	8552-004	Capacitor 7-1/2 / 370V 1-1/4 Oval	X	X
7	8200-034	Motor Mount Arm with Grommet	3	3
8	8200-033	Motor Mount Band	X	X
9	8000-072	Compressor AV144ET-001-A4	X	
9	8000-106	Compressor AV188ET-038-A4		X
10	917-0010	Water Coil Assembly w/Insulation	X	
10	917-0011	Water Coil Assembly w/Insulation		X
10A	5021-0336	Insulation Jacket Only	X	X
11	5060-029	Evaporator Coil	X	X
12	7004-018	Filter 25x25x1	X	X
13	8607-019	Terminal Block	X	X
14	8614-001	Square Outlet Box 4"	X	X
15	8614-029	Blank Cover 4" x 4"	X	X
16	5651-056	Full Flow Valve 1/2"	2	2
17	8552-030	Capacitor--Comp. 40/440V 2-1/2" round	X	
17	8552-031	Capacitor--Comp. 45/440V 2-1/2" round		X
18	5651-067	Expansion Valve	X	
18	5651-068	Expansion Valve		X
19	5210-010	Strainer	(2)	(2)
20	5650-006	Reversing Valve	X	X
21	5650-008	Solenoid Coil	X	X
22	8406-015	Low Pressure Switch	X	X
23	8406-016	High Pressure Switch	X	X
OPTIONAL ITEMS				
	8603-006	Solenoid Valve 24V	X	X
	8603-007	Constant Flow Valve 6 GPM	X	
	8603-008	Constant Flow Valve 8 GPM		X
	8604-080	Duct Heater 5KW	X	X
	8604-081	Duct Heater 9.8KW	X	X
	8604-082	Duct Heater 14.7KW	X	X
	8604-083	Duct Heater 19.2KW	X	X

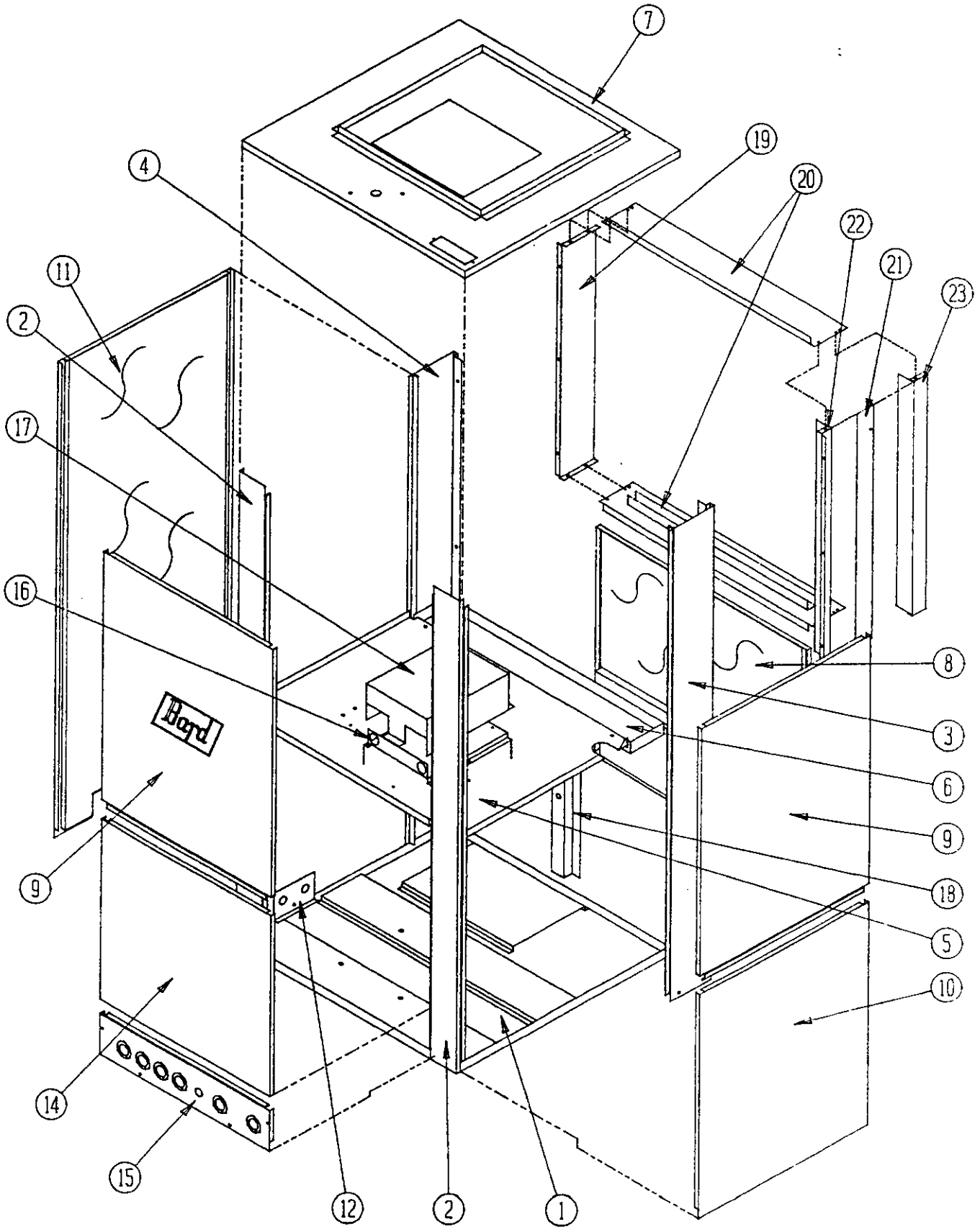


PARTS LIST  
WATER SOURCE PACKAGED HEAT PUMPS

Page: V5  
Date: 04/04/89

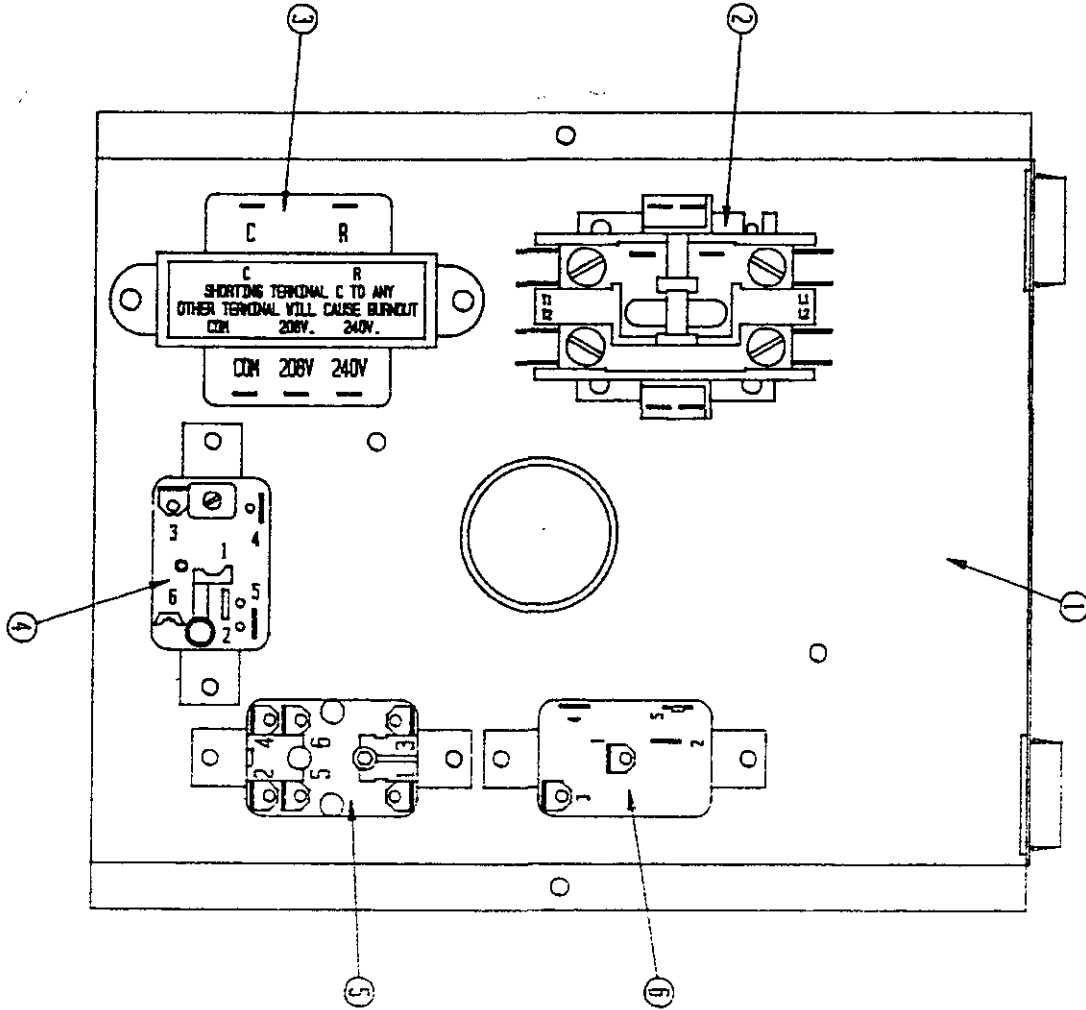
Dwg. No.	Part No.	Description	WPV53B	WPV62B
1	127-008	Base Weld Assembly	X	X
2	548-006	Front Corner Assembly	(2)	(2)
3	549X004	Right Rear Corner Assembly	X	X
4	549Y004	Left Rear Corner Assembly	X	X
5	520-132	Partition Assembly	X	X
6	523-005	Drain Pan Assembly	X	X
7	507-114	Top Assembly	X	X
8	509-074	Lower Back Assembly	X	X
9	514-006	Front and Right Top Panel Assembly	(2)	(2)
10	500-009	Bottom Right Panel Assembly	X	X
11	500-192	Left Side Assembly	X	X
12	156-022	Tubing Entrance Panel	X	X
14	514-007	Bottom Front Assembly	X	X
15	156-021	Water Entrance Panel	X	X
16	116-114	Control Panel	X	X
17	132-006	Control Panel Cover	X	X
18	140-026	Support--Water Coil Hold Down	X	X
19	130-013	Filter Rack Side	X	X
20	131-011	Filter Rack Top and Bottom Weld Assembly	X	X
21	130-010	Filter Rack Door	X	X
22	130-014	Filter Rack Side	X	X
23	131-012	Filter Rack Side Weld Assembly	X	X





PARTS LIST  
 WATER SOURCE HEAT PUMPS  
 CONTROL PANEL

Page: V7  
 Date: 04/04/89



Item	Part No.	Description	WPV53B	WPV62B
1	116-114	Control Panel	X	X
2	8401-003	Compressor Contactor		X
2	8401-007	Compressor Contactor	X	
3	8407-035	Transformer	X	X
4	8201-034	Lockout Relay	X	X
5	8201-015	Emergency Heat Relay	X	X
6	8201-008	Blower Relay	X	X

PARTS LIST  
SPLIT SYSTEM BLOWER COILS

Page: W1  
Date: 05/10/89

Part No.	Description	B 1 8 E H Q 1	B 1 8 E H Q 1   A 0 5	B 1 8 E H Q 1   A 1 0	B 2 4 E H Q 1	B 2 4 E H Q 1   A 0 5	B 2 4 E H Q 1   A 1 0	B 2 4 E H Q 1   A 1 5	B 3 0 E H Q 1   A 0 5	B 3 0 E H Q 1   A 1 0	B 3 0 E H Q 1   A 1 5	B 3 0 E H Q 1   A 1 5
104-791	Angle	2	2	2	2	2	2	2	2	2	2	2
144-124	Diffuser	x	x	x	x	x	x	x	x	x	x	x
151-072	Blower Housing	x	x	x	x	x	x	x	x	x	x	x
4082-110	Wiring Diagram	x							x			
4082-111	Wiring Diagram				x					x		
4082-120	Wiring Diagram		x									
4082-121	Wiring Diagram					x						
4082-130	Wiring Diagram			x								
4082-131	Wiring Diagram						x					
4082-132	Wiring Diagram										x	
4082-141	Wiring Diagram							x				
4082-142	Wiring Diagram											x
5060-016	Evaporator Coil	x	x	x								
5060-028	Evaporator Coil				x	x	x	x	x	x	x	x
5152-008	Blower Wheel DD10-4A	x	x	x	x	x	x	x	x	x	x	x
5210-003	Strainer	x	x	x	x	x	x	x	x	x	x	x
5651-036	Check Valve	x	x	x	x	x	x	x	x	x	x	x
5811-001	Capillary Tube				3	3	3	3				
5811-010	Capillary Tube								3	3	3	3
5811-035	Capillary Tube	3	3	3								
7004-003	Filter 12x20	x	x	x	x	x	x	x	x	x	x	x
8103-012	Motor--Blower 1/5	x	x	x	x	x	x	x	x	x	x	x
8200-033	Motor Mount Band	x	x	x	x	x	x	x	x	x	x	x
8200-036	Motor Mount Arm	3	3	3	3	3	3	3	3	3	3	3
8201-009	Relay--Blower	x	x	x	x	x	x	x	x	x	x	x
8201-045	Relay--Time Delay				x	x	x	x				
8401-006	Contact--Heater 20A		1	1		1	1	2		1	1	2
8402-027	Thermal Cut-off		1	2		1	2	3		1	2	3
8402-028	Limit Switch L150-2.5					x	x	x		x	x	x
8402-029	Limit Switch L160-2.5		x	x								
8407-035	Transformer	x	x	x	x	x	x	x	x	x	x	x
8552-002	Capacitor 5/370V	x	x	x	x	x	x	x	x	x	x	x
8604-023	Heat Strip 5KW		x			x				x		
8604-024	Heat Strip 10KW			x			x				x	
8604-025	Heat Strip 15KW							x				x
8607-010	Terminal Block	x	x	x	x	x	x	x	x	x	x	x
8607-013	Terminal Block	x	x	x	x	x	x	x	x	x	x	x

PARTS LIST  
SPLIT SYSTEM BLOWER COIL

1 / 88

PART NO.	DESCRIPTION											
		B36EHQ1	B36EHQ1-A05	B36EHQ1-A10	B36EHQ1-A15	B36EHQ1-A20	B36EHQ1-A25	B36EHQ1-A30	B36EHQ1-B09	B36EHQ1-B15	B36EHQ1-C09	B36EHQ1-C15
151-023	Blower Housing 10-9	x	x	x	x	x	x	x	x	x	x	x
5152-014	Blower Wheel DD10-9A	x	x	x	x	x	x	x	x	x	x	x
8552-025	Capacitor 7½-440V	x	x	x	x	x	x	x	x	x	x	x
5811-010	Capillary Tube	3	3	3	3	3	3	3	3	3	3	3
5651-036	Check Valve	x	x	x	x	x	x	x	x	x	x	x
8401-006	Contactors - Heater 20A		1	1	2	2	3	3	1	1	1	1
5060-012	Evaporator Coil	x	x	x	x	x	x	x	x	x	x	x
7004-017	Filter 22x22	x	x	x	x	x	x	x	x	x	x	x
8614-006	Fuse - Heater 30A				2		2					
8614-007	Fuse - Heater 60A				2	4	4	6				
8614-017	Fuse Block 15kw				x							
8614-014	Fuse Block 25kw						x					
8614-019	Fuse Block 30kw							x				
8614-018	Fuse Block 20kw					x						
8614-036	Circuit Breaker	x	x	x	x	x	x	x			x	x
8604-023	Heat Strip 5kw		1									
8604-024	Heat Strip 10kw			1		2	1					
8604-025	Heat Strip 15kw				1		1	2		1		
8604-035	Heat Strip 9kw								1			
8604-034	Heat Strip 15kw 460V											1
8604-032	Heat Strip 9kw 460V										1	
8402-022	Limit Switch L145-2.5		x	x	x	x	x	x	x	x	x	x
8105-022	Motor - Blower 1/3	x	x	x	x	x	x	x	x	x	x	x
8200-003	Motor Mount	x	x	x	x	x	x	x	x	x	x	x
5451-011	Motor Mounting Parts	x	x	x	x	x	x	x	x	x	x	x
8201-009	Relay - Blower	x	x	x	x	x	x	x	x	x	x	x
8201-045	Relay - Time Delay	x	x	x	x	x	x	x				
5210-003	Strainer	x	x	x	x	x	x	x	x	x	x	x
8607-013	Terminal Block	x	x	x								
8607-014	Terminal Block 3-Ph								x	x	x	x
8607-010	Terminal Block	x	x	x	x	x	x	x	x	x	x	x
8402-025	Thermal Cut-off		1	2	3	4	5	6	3	6	3	6
8407-036	Transformer	x	x	x	x	x	x	x	x	x		
8407-003	Transformer 9kw 460V 3 Ph										x	x
144-006	Blower cutoff	x	x	x	x	x	x	x	x	x	x	x
4032-111	Wiring Diagram	x										
4032-121	Wiring Diagram		x									
4032-131	Wiring Diagram			x								
4032-141	Wiring Diagram				x							
4032-151	Wiring Diagram					x						
4032-161	Wiring Diagram						x					
4032-171	Wiring Diagram							x				
4032-320	Wiring Diagram									x		
4032-808	Wiring Diagram								x	x		x

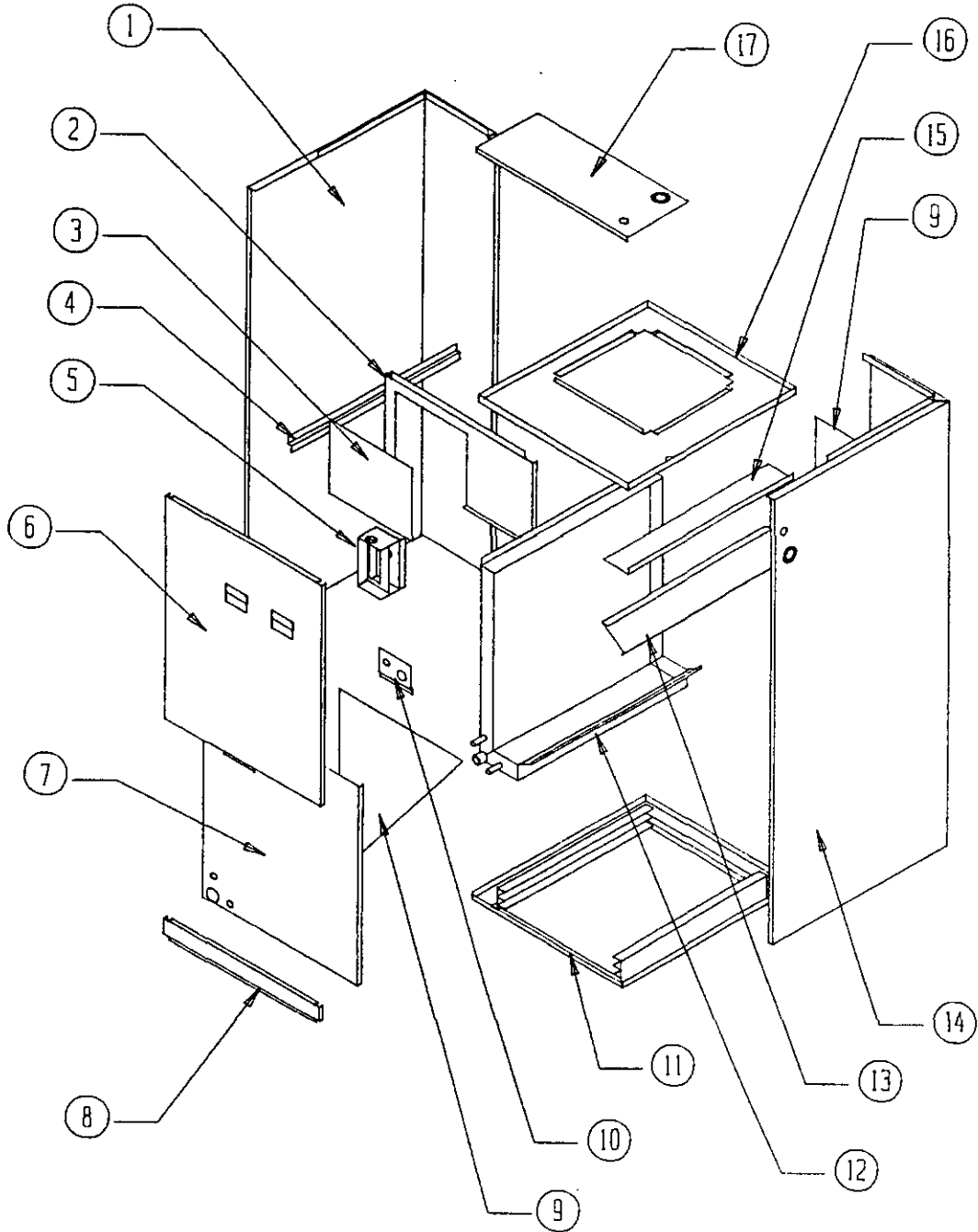


PARTS LIST  
SPLIT SYSTEM BLOWER COILS

Page: Z1  
Date: 5/12/89

Part No.	Description	B	B	B	B	B	B	B	B	B	B
		C	C	C	C	C	C	C	C	C	C
		6	6	6	6	6	6	6	6	6	6
		0	0	0	0	0	0	0	0	0	0
		A	A	A	A	A	A	A	A	A	A
			A	A	A	A	B	B	B	C	C
			1	1	2	3	0	1	3	0	1
			0	5	0	0	9	5	0	9	8
4038-112	Wiring Diagram	x									
4038-121	Wiring Diagram		x								
4038-131	Wiring Diagram			x							
4038-143	Wiring Diagram				x						
4038-163	Wiring Diagram					x					
4038-220	Wiring Diagram						x	x			
4038-234	Wiring Diagram								x		
4038-320	Wiring Diagram									x	
4038-340	Wiring Diagram										x
5060-032	Evaporator Coil	x	x	x	x	x	x	x	x	x	x
5152-059	Blower Wheel 10-10	x	x	x	x	x	x	x	x	x	x
5210-006	Strainer	x	x	x	x	x	x	x	x	x	x
5651-036	Check Valve	x	x	x	x	x	x	x	x	x	x
5811-002	Capillary Tube	8	8	8	8	8	8	8	8	8	8
7004-015	Filter 24x24	x	x	x	x	x	x	x	x	x	x
8106-013	Motor--Blower 1/2 hp	x	x	x	x	x	x	x	x	x	x
8200-033	Motor Mount Band	x	x	x	x	x	x	x	x	x	x
8200-034	Motor Mount Arm	3	3	3	3	3	3	3	3	3	3
8201-013	Relay--Emergency Heat			x	x	x			x		x
8201-014	Relay--Blower	x	x	x	x	x	x	x	x	x	x
8201-045	Relay--Time Delay	x	x	x	x	x					
8401-001	Contactactor--Heat 3ph							1	1		
8401-002	Contactactor Heat					2				1	
8401-006	Contactactor--Heater 20A		1	2	2						2
8401-010	Contactactor--Heat 3ph						1		1		
8402-025	Thermal Cutoff		2	3	4	6	3	3	6	3	6
8402-033	Limit Switch L140-2.5		x	x	x	x	x	x	x	x	x
8407-003	Transformer 9KW 460V 3ph									x	x
8407-036	Transformer	x	x	x	x	x	x	x	x	x	x
8552-002	Capacitor 5/370V	x	x	x	x	x	x	x	x	x	x
8604-024	Heat Strip 10KW		1		2						
8604-025	Heat Strip 15KW			1		2		1	2		
8604-032	Heat Strip 9KW 460V									1	2
8604-035	Heat Strip 9KW						1				
8607-010	Terminal Block	x	x	x	x	x	x	x	x	x	x
8607-013	Terminal Block	x	x								
8607-014	Terminal Block 3ph						x	x		x	x
8607-015	Phenolic Insulator 460V									x	x
8607-017	Terminal Block 460V									x	x
8614-006	Fuse--Heater 30A			2							
8614-007	Fuse--Heater 60A			2	4	6			3		
8614-017	Fuse Block 15KW			x							
8614-018	Fuse Block 20KW				x						
8614-019	Fuse Block 30KW					x					
8614-020	Fuse Block 30KW 3ph								x		
8614-033	Fuse--Heater 35A 3ph								3		
8614-036	Circuit Breaker	x	x	x	x	x	x	x	x	x	x

FABRICATED PARTS



BC35, BC36

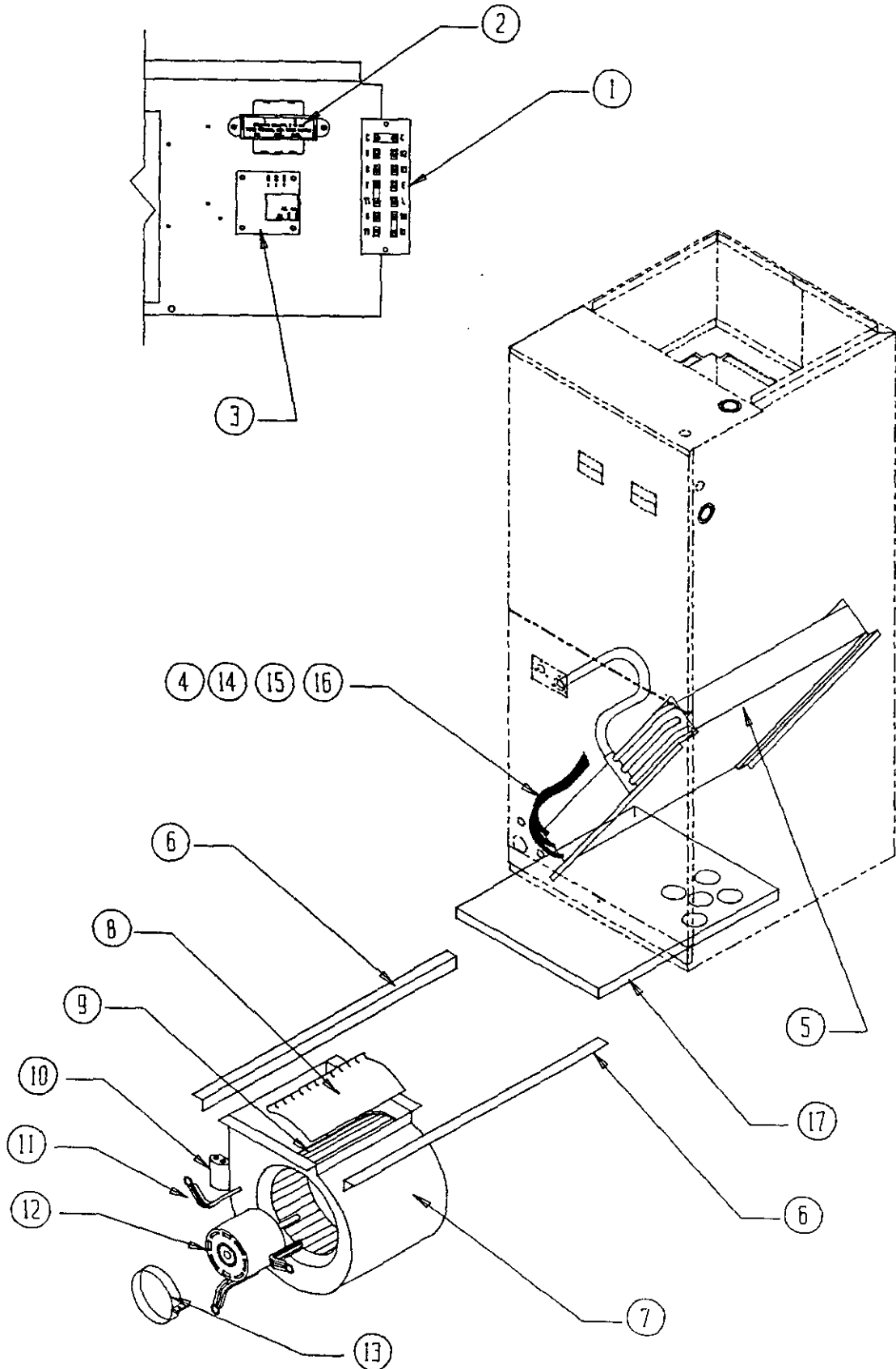
PARTS LIST  
FABRICATED PARTS

Page: Z3  
Date: 2-14-89

Dwg. No.	Part No.	Description	BC35B	BC36B
1	500-194	Left Side	X	X
2	120-139	Partition	X	X
3	136-141	Block Off Plate	X	X
4	102-392	Coil Assembly Support (Left Side)	X	X
5	117-116	Low Voltage Box Assembly	X	X
6	552-159	Upper Door	X	X
7	552-160	Lower Door	X	X
8	552-161	Filter Door	X	X
9	136-139	Coil Support	X	X
10	140-149	Quick Connect Support	X	X
11	127-154	Lower Base Assembly	X	X
12	123-071	Water Pan Assembly	X	X
13	136-140	Top Coil Fill	X	X
14	500-193	Right Side	X	X
15	140-147	Coil Assembly Support (Right Side)	X	X
16	126-155	Blower Base	X	X
17	107-117	Top Assembly	X	X



FUNCTIONAL PARTS



BC35, BC36

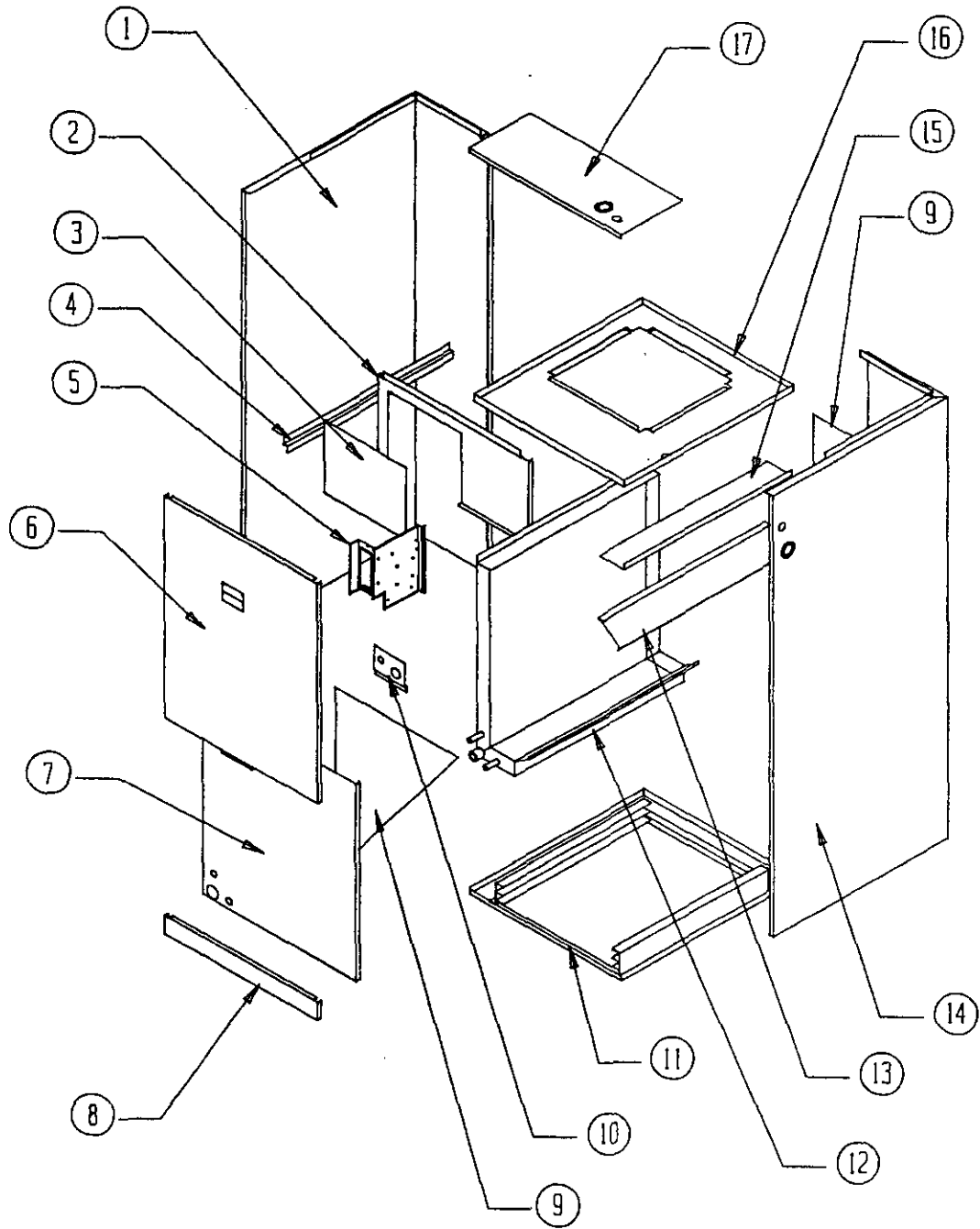
PARTS LIST  
FUNCTIONAL PARTS

Page: 25

Date: 04/18/89

Dwg. No.	Part No.	Description	BC35B	BC36B
1	8607-019	Terminal Strip	X	X
2	8407-035	Transformer 55VA	X	X
3	8201-056	Solid State Blower Control	X	X
4	5811-010	Capillary Tube	3	
4	5625-009	Distributor		X
5	5060-055	Evaporator Coil	X	
5	5060-054	Evaporator Coil		X
6	104-813	Blower Angle	2	2
7	151-087	Blower Housing Assembly	X	X
8	144-128	Blower Diffuser	X	X
9	5152-014	Blower Wheel 10 x 9	X	X
10	8552-025	Capacitor 7-1/2 / 440V	X	X
11	8200-034	Motor Mount Arm	3	3
12	8105-022	Motor 1/3 HP 230V	X	X
13	8200-033	Motor Mount Band		X
14	5625-072	.072 Orifice		X
15	5625-002	5782 Coupling to R.H. Thread Adapter		X
16	5651-036	Check Valve	X	
17	7004-010	Filter 16 x 20 x 1	X	X
	4088-110	Wiring Diagram	X	X

FABRICATED PARTS



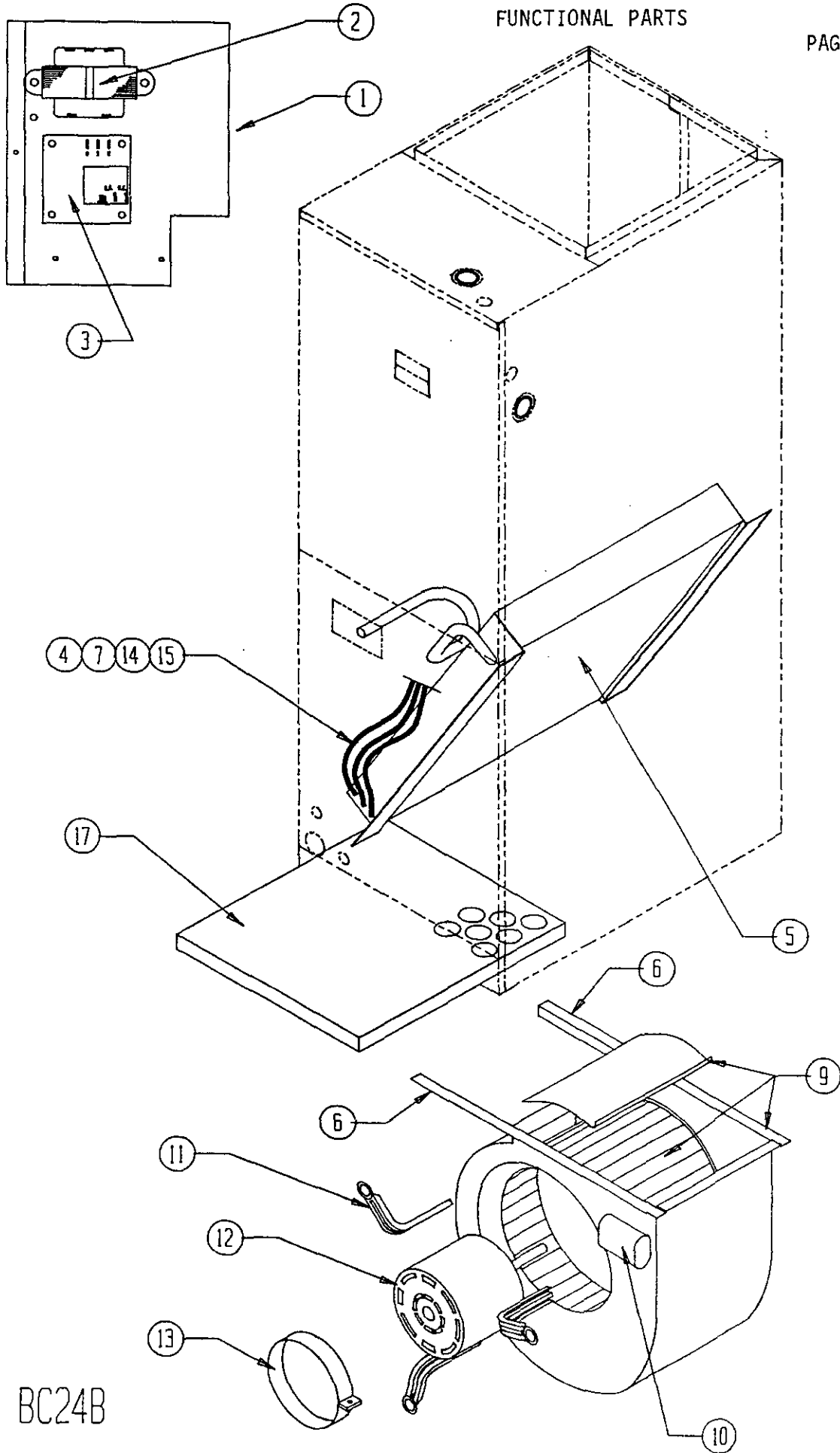
BC24

PARTS LIST  
FABRICATED PARTS

Page: 27  
Date: 04/10/89

Dwg. No.	Part No.	Description	BC24B
1	500-196	Left Side	X
2	120-140	Partition	X
3	136-144	Block Off Plate	X
4	102-392	Coil Assembly Support (Left Side)	X
5	116-118	Control Panel Assembly	X
6	552-162	Upper Door	X
7	552-163	Lower Door	X
8	552-164	Filter Door	X
9	136-143	Coil Support	X
10	140-149	Quick Connect Support	X
11	127-157	Lower Base Assembly	X
12	123-072	Water Pan Assembly	X
13	136-140	Top Coil Fill	X
14	500-195	Right Side	X
15	140-147	Coil Assembly Support (Right Side)	X
16	126-158	Blower Base	X
17	106-118	Top Assembly	X

FUNCTIONAL PARTS



BC24B

PARTS LIST  
FUNCTIONAL PARTS

Page: Z9  
Date: 04/10/89

Dwg. No.	Part No.	Description	BC24B
1	8607-019	Terminal Strip	X
2	8407-034	Transformer 40VA	X
3	8201-056	Solid State Blower Control	X
4	5625-009	Distributor	X
5	5060-057	Evaporator Coil	X
6	104-816	Blower Angle	2
9	5152-064	Blower Housing Assembly 10 x 6	X
10	8552-002	Capacitor 5/370V	X
11	8200-034	Motor Mount Arm	3
12	8104-008	Motor 1/4 HP 230V	X
13	8200-033	Motor Mount Band	X
14	5625-059	.059 Orifice	X
15	5625-002	5782 Coupling to R.H. Thread Adapter	X
17	7004-003	Filter 12 x 20 x 1	X
	4088-110	Wiring Diagram	X

1/88

PARTS LIST						
OPTIONAL ELECTRIC HEAT PACKAGES						
PART NO.	DESCRIPTION	EH3MA-A05	EH3MA-A08	EH3MA-A10	EH3MA-A15	EH3MA-A20
8401-006	Contactors 2P20	(1)	(1)	(1)	(2)	(2)
8614-006	Fuse 0T30				(2)	
8614-007	Fuse 0T60				(2)	(4)
8614-017	Fuse Block				x	
8614-018	Fuse Block					x
8604-023	Heat Strip 5Kw	x				
8604-024	Heat Strip 10Kw			x		(2)
8604-025	Heat Strip 15Kw				x	
8402-011	Limit Switch	x	x	x	x	x
8201-008	Heating Blower Relay	x	x	x	x	x
8607-013	Terminal Block	x	x	x		
8402-030	Thermal Cutoff	(1)	(2)	(2)	(3)	(4)
8604-026	Heat Strip 8Kw		x			
4060-110	Wiring Diagram	x				
4060-120	Wiring Diagram		x	x		
4060-130	Wiring Diagram				x	
4060-140	Wiring Diagram					x

PARTS LIST											
OPTIONAL ELECTRIC HEAT PACKAGES											
Part No.	Description	EH3PA-A05	EH3PA-A08	EH3PA-A10	EH3PA-A15	EH3PA-B09	EH3PA-B12	EH3PA-B15	EH3PA-C09	EH3PA-C12	EH3PA-C15
8401-006	Contactor 2P20	(1)	(1)	(1)	(2)	(1)	(1)	(2)			
8401-002	Contactor 3P25A								(1)	(1)	(1)
8614-017	Fuse Block				x						
8614-006	Fuse 30A				(2)						
8614-007	Fuse 60A				(2)						
8607-013	Terminal Block	x	x	x							
8607-014	Terminal Block					x	x	x	x	x	x
8402-026	Thermal Cut-off	(1)	(2)	(2)	(3)	(2)	(3)	(3)	(2)	(3)	(3)
8402-012	Limit Switch	x	x	x	x	x	x	x	x	x	x
8201-032	Blower Relay								x	x	x
8201-008	Blower Relay	x	x	x	x	x	x	x			
8604-089	Heat Strip 5Kw 240v	x	x								
8604-091	Heat Strip 10Kw 240v			x							
8604-047	Heat Strip 15Kw 240v				x			x			
8604-048	Heat Strip 9Kw 240v					x					
8604-046	Heat Strip 12Kw 240v						x				
8604-072	Heat Strip 9Kw 480v								x		
8604-051	Heat Strip 12Kw 480v									x	
8604-052	Heat Strip 15kw 480v										x
8604-043	Heat Strip 8Kw 240V		x								
4067-110	Wiring Diagram	x									
4067-120	Wiring Diagram		x	x							
4067-130	Wiring Diagram				x						
4067-210	Wiring Diagram					x					
4067-220	Wiring Diagram						x	x			
4067-310	Wiring Diagram								x		
4067-320	Wiring Diagram									x	x





## PARTS LIST

## OPTIONAL ELECTRIC HEATER PACKAGE

1/88

Part No.	Description	EH3RA-A05	EH3RA-A10	EH3RA-A15	EH3RA-A20	EH3RA-B06	EH3RA-B09	EH3RA-B12	EH3RA-B15	EH3RA-B18	EH3RA-C06	EH3RA-C09	EH3RA-C12	EH3RA-C15	EH3RA-C18
8401-006	Contactora 2P20	1	1	2	2	1	1	1	2	2					
8401-002	Contactora 3P25A										1	1	1	1	2
8401-008	Contactora - Blower Relay	x	x	x	x	x	x	x	x	x	x	x	x	x	x
8401-006	Contactora 2P20A									x	x	x	x	2	2
8614-006	Fuse OT30			2											
8614-007	Fuse OT60			2	4										
8614-017	Fuse Block			x											
8614-018	Fuse Block				x										
8604-023	Heat Strip 5Kw 240v	x													
8604-024	Heat Strip 10Kw 240v		x		2										
8604-025	Heat Strip 15Kw 240v			x											
8604-064	Heat Strip 6Kw 240v					x			x						
8604-035	Heat Strip 9kw 240v						x		x	x					
8604-036	Heat Strip 12Kw 240v							x		x					
8604-025	Heat Strip 15kw 240v								x						
8604-065	Heat Strip 6kw 480v										x				x
8604-032	Heat Strip 9kw 480v											x			
8604-033	Heat Strip 12kw 480v												x		x
8604-034	Heat Strip 15kw 480v													x	
8402-020	Limit Control	x	x	x	x	x	x	x	x	x	x	x	x	x	x
8607-015	Phenolic Insulator										2	2	2	2	2
8607-013	Terminal Block	2	2	1											
8607-014	Terminal Block				2	2	2	2	2	2	2	2	2	2	2
8402-030	Thermal Cutoff	1	2	3	4	3	3	3	3	6	3	3	3	3	6
8607-016	Terminal Block				1										
4073-110	Wiring Diagram	x													
4073-120	Wiring Diagram		x												
4073-130	Wiring Diagram			x											
4073-140	Wiring Diagram				x										
4073-210	Wiring Diagram					x	x	x							
4073-220	Wiring Diagram								x						
4073-230	Wiring Diagram									x					
4073-310	Wiring Diagram										x	x	x	x	
4073-320	Wiring Diagram														x

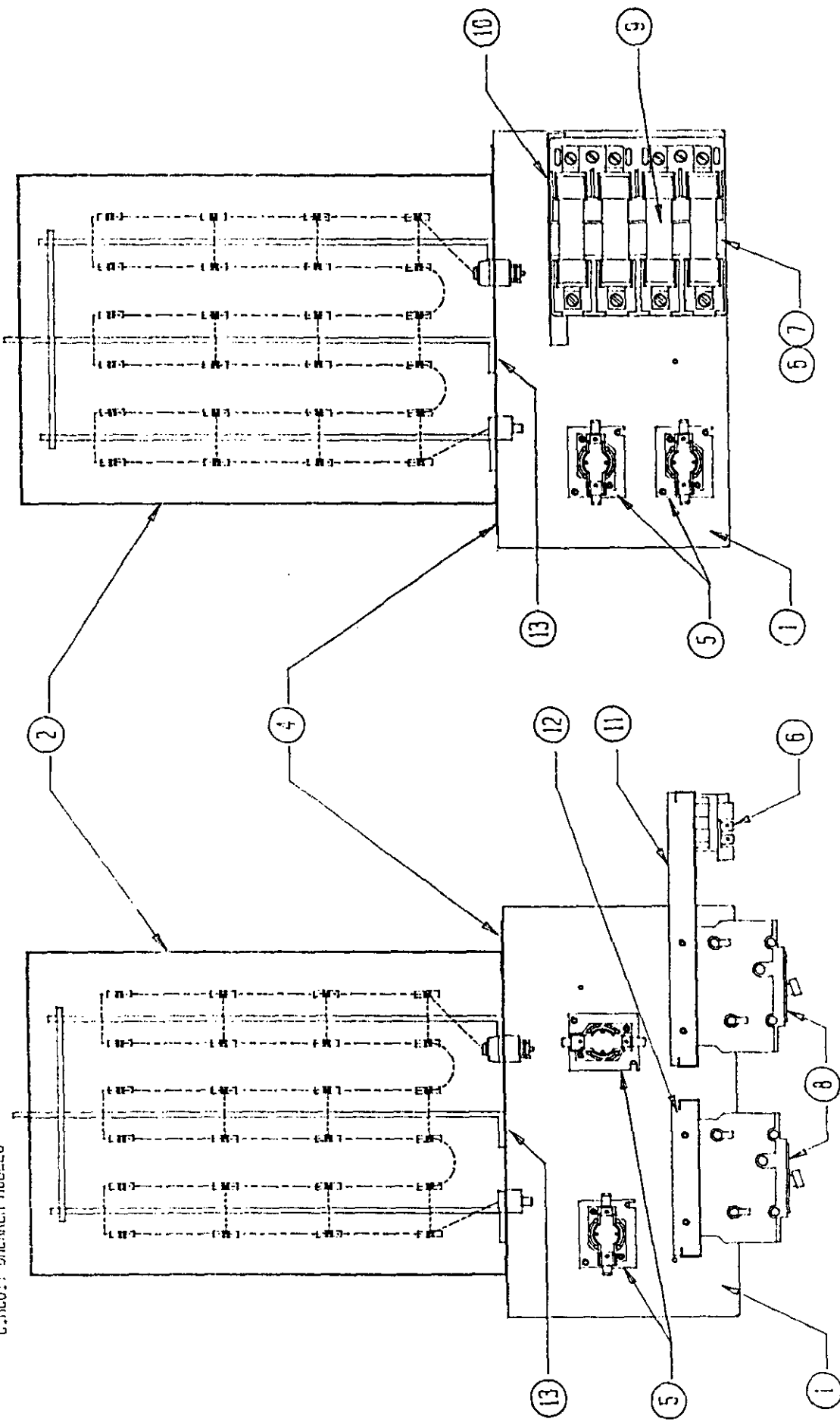


PARTS LIST

Page: EE2  
Date: 06/23/89

Dwg. No.	Part No.	Description	E H 3 B A   A O 5 N	E H 3 B A   A O 9 N	E H 3 B A   A O 1 4 N	E H 3 B A   A O 1 8 N	E H 3 B A   A O 5 C	E H 3 B A   A O 9 C	E H 3 B A   A O 1 4 C	E H 3 B A   A O 1 8 C
1	134-104	Heater Package Base	x	x	x	x	x	x	x	x
2	134-103	Heater Package Wrapper	x	x	x	x	x	x	x	x
4	8604-092	4.5KW Heat Strip 240V	1		1		1		1	
4	8604-093	9KW Heat Strip 240V		1	1	2		1	1	2
4	136-142	Fill Plate	x	x			x	x		
5	8201-057	Time Delay Relay H30-75 C1-40	1		1		1		1	
5	8201-058	Time Delay Relay H1-30 C45-70		1	1	1		1	1	1
5	8201-059	Time Delay Relay H30-75 C1-40				1				1
6	8607-013	Terminal Block	1	1					1	1
7	8614-017	Fuse Block			1					
7	8614-018	Fuse Block				1				
8	8615-013	Circuit Breaker 30A					1		1	
8	8615-015	Circuit Breaker 50A						1	1	2
9	8614-006	Fuse 30A			2					
9	8614-005	Fuse 50A			2	4				
	4090-110	Wiring Diagram	x							
	4090-111	Wiring Diagram					x			
	4090-120	Wiring Diagram		x						
	4090-121	Wiring Diagram						x		
	4090-130	Wiring Diagram			x					
	4090-131	Wiring Diagram							x	
	4090-140	Wiring Diagram				x				
	4090-141	Wiring Diagram								x
10	134-105	Fusing Barrier			x	x				
11	112-093	Circuit Breaker Mounting Plate							x	x
12	112-092	Circuit Breaker Mounting Plate					x	x	x	x
13	8402-056	Limit Control L150-3.5	1	2	3	4	1	2	3	4

NON-CIRCUIT BREAKER MODELS



CIRCUIT BREAKER MODELS

NOTE: 18 Kw HEATER PACKAGES ARE SHOWN. LOWER Kw PACKAGES WILL HAVE FEWER PARTS.

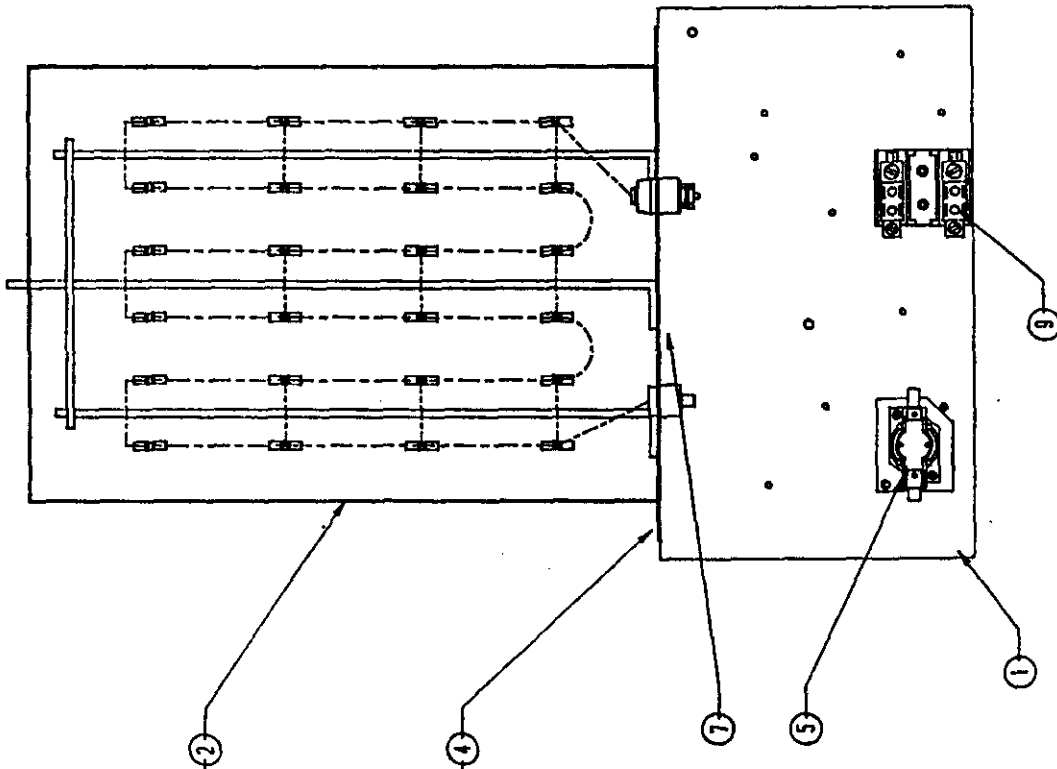
PARTS LIST

Page: EE4

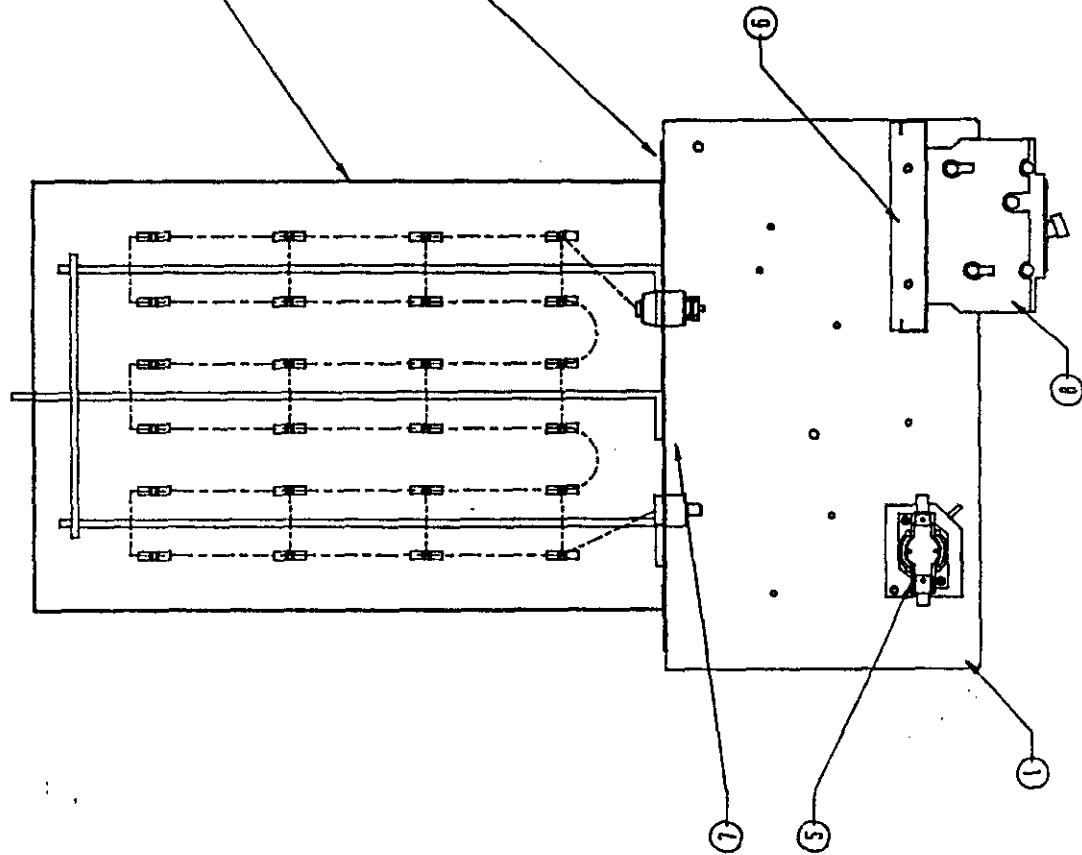
Date: 06/23/89

Dwg. No.	Part No.	Description	E H 2 B A   A O 5 N	E H 2 B A   A O 9 N	E H 2 B A   A O 5 C	E H 2 B A   A O 9 C
1	134-104	Heater Package Base	x	x	x	x
2	134-106	Heater Package Wrapper	x	x	x	x
4	8604-092	4.5KW Heat Strip 240V	1		1	
4	8604-093	9KW Heat Strip 240V		1		1
4	136-145	Fill Plate	x	x	x	x
5	8201-057	Time Delay Relay E30-75 C1-40	1		1	
5	8201-058	Time Delay Relay H1-30 C45-70		1		1
6	8607-013	Terminal Block	1	1		
8	8615-013	Circuit Breaker 30A			1	
8	8615-015	Circuit Breaker 50A				1
	4090-110	Wiring Diagram	x			
	4090-111	Wiring Diagram			x	
	4090-120	Wiring Diagram		x		
	4090-121	Wiring Diagram				x
12	112-092	Circuit Breaker Mounting Plate			x	x
13	8402-058	Limit Control Li40-3.5	1	2	1	2

NON-CIRCUIT BREAKER MODELS



CIRCUIT BREAKER MODELS



**PARTS LIST**  
**DUCT HEATERS**

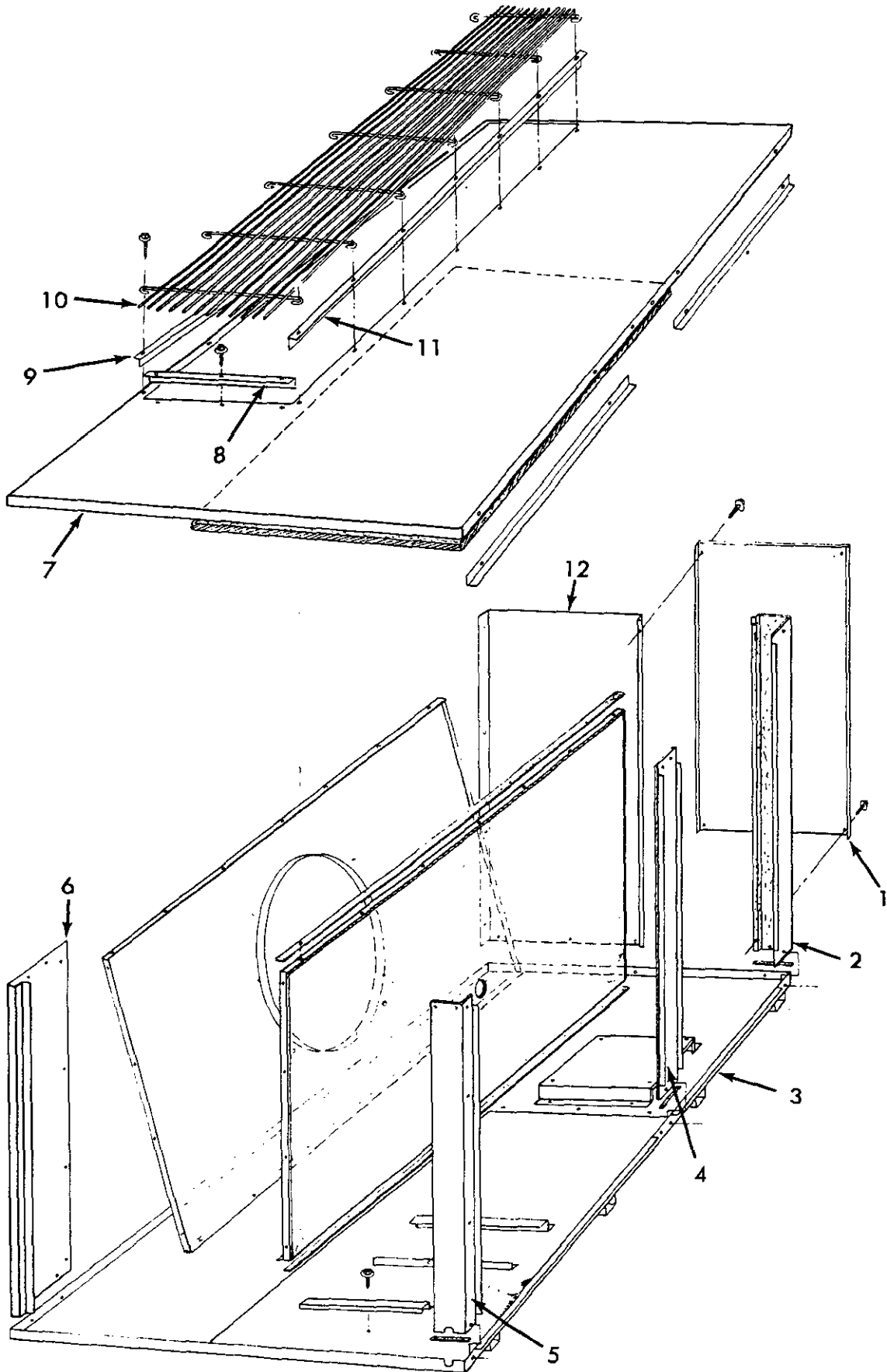
1/88

Part No.	Description	8604-080	8604-081	8604-082	8604-083
8604-084	5Kw Element w/Hardware*	1	2	3	
8604-085	4.8Kw Element w/Hardware*				4
8401-006	Heat Contactor	1	1	2	2
8406-026	Manual Reset Limit *	1			
8406-027	Manual Reset Limit *		1	1	1
8402-011	Limit Switch	1	1	1	1
8201-009	Interlock Relay	1	1	1	1
8614-017	Fuse Block			1	
8614-018	Fuse				1
8614-006	Fuse (30A)			2	
8614-007	Fuse (60A)			2	4

\*From B.T.U.



# COMBINATION UNIT — MODELS "PGA SERIES"



## COMBINATION UNIT — MODELS "PGA SERIES"

KEY NO.	PART NUMBERS FOR MODELS			DESCRIPTION
	PGA24A060 PGA24A090 PGA30A060 PGA30A090	PGA36A060 PGA36A090 PGA36B090 PGA42A090 PGA42A060	PGA36A120 PGA42A120	
1	9044-001	9044-001	9044-002	Door, Blower
2	9044-004	9044-004	9044-004	Post, Rear Corner
3	9044-006	9044-006	9044-007	Base
4	9044-010	9044-010	9044-010	Panel, Center
5	9044-012	9044-012	9044-012	Post, Front Corner
6	9044-014	9044-014	9044-014	Panel, Side
7	9044-015	9044-015	9044-016	Panel, Top
8	9044-019	9044-019	9044-019	Angle, Grille (End)
9	9044-020	9044-020	9044-020	Angle, Grille (Left)
10	9044-022	9044-022	9044-022	Grille, Outlet
11	9044-024	9044-024	9044-024	Angle, Grille (Right)
12	9044-026	9044-026	9044-026	Panel, Rear
	- - -	- - -	- - -	*Diagram, Wiring
	- - -	- - -	- - -	Sheet, Tech (SEE PAGE 28.)

⌋ Part Not Illustrated

\* Use Wiring Diagram No. 1000249 on Single Phase Units

\* Use Wiring Diagram No. 1000248 on Three Phase Units

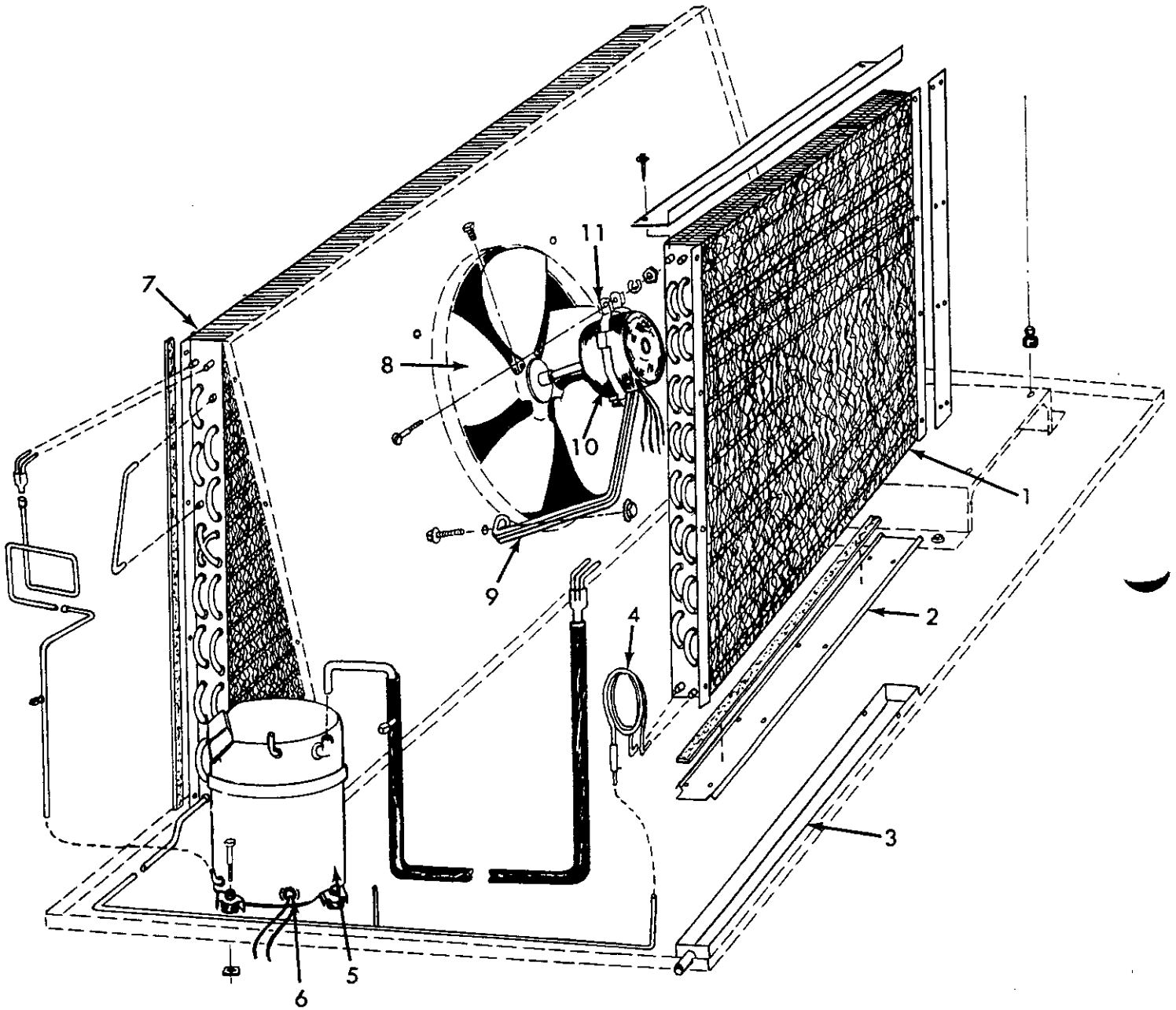
KEY NO.	PART NUMBERS FOR MODELS			DESCRIPTION
	PGA48A080 PGA48A120 PGA48B080 PGA48B120	PGA60A080 PGA60A120 PGA60B080 PGA60B120	PGA48A145 PGA60A145 PGA60B145	
1	9044-002	9044-002	9044-003	Door, Blower
2	9044-005	9044-005	9044-005	Post, Rear Corner
3	9044-008	9044-008	9044-009	Base
4	9044-011	9044-011	9044-011	Panel, Center
5	9044-013	9044-013	9044-013	Post, Front Corner
6	9044-014	9044-014	9044-014	Panel, Side
7	9044-017	9044-017	9044-018	Panel, Top
8	9044-019	9044-019	9044-019	Angle, Grille (End)
9	9044-021	9044-021	9044-021	Angle, Grille (Left)
10	9044-023	9044-023	9044-023	Grille, Outlet
11	9044-025	9044-025	9044-025	Angle, Grille (Right)
12	9044-026	9044-026	9044-026	Panel, Rear
	- - -	- - -	- - -	*Diagram, Wiring
	- - -	- - -	- - -	Sheet, Tech (SEE PAGE 28)

⌋ Part Not Illustrated

\* Use Wiring Diagram No. 1000249 on Single Phase Units

\* Use Wiring Diagram No. 1000248 on Three Phase Units

# COMBINATION UNIT — MODELS "PGA SERIES"



# COMBINATION UNIT — MODELS "PGA SERIES"

HH4  
1/88

KEY NO.	PART NUMBERS FOR MODELS				DESCRIPTION
	PGA24A060 PGA24A090	PGA30A060 PGA30A090	PGA36A060 PGA36A090 PGA36A120	PGA36B090	
1	9044-027	9044-028	9044-029	9044-030	Evaporator
2	9044-034	9044-034	9044-034	9044-035	Cover, Drain Pan
3	9044-037	9044-037	9044-037	9044-037	Pan, Drain
4	9044-039	9044-040	9044-041	9044-041	Tube, Capillary
5✓	9044-045	- - -	- - -	- - -	Compressor, 230/208V., 60Hz., 1Ph., Bristol #H21B223ABCA
5✓	- - -	8000-086	- - -	- - -	Compressor, 230/208V., 60Hz., 1Ph., Bristol #H21A293ABCA
5✓	- - -	- - -	9044-046	- - -	Compressor, 230/208V., 60Hz., 1Ph., Bristol #H21A313ABCA
5✓	- - -	- - -	- - -	9044-07	Compressor, 230/208V., 60Hz., 3Ph., Bristol #H21A3130BOA
6✓	9044-052	9044-052	9044-052	9044-052	Heater, Crankcase
7	9044-053	9044-054	9044-055	9044-055	Condenser
8	9044-058	9044-058	9044-059	9044-059	Blade, Fan
9	9044-062	9044-062	9044-062	9044-062	Leg, Motor Mount (4 Req.)
10✓	9044-063	9044-063	- - -	- - -	Motor, Condenser Fan, 1/5H.P., 230/208V., 60Hz., 1Ph.
10✓	- - -	- - -	9044-064	9044-064	Motor, Condenser Fan, 1/3H.P., 230/208V., 60Hz., 1Ph.
11	9044-067	9044-067	9044-067	9044-067	Band, Motor Mount

✓Suggested Distributor Stocking Parts List  
(2% of Units Installed - Minimum 1 Each)

KEY NO.	PART NUMBERS FOR MODELS			DESCRIPTION
	PGA42A060 PGA42A090 PGA42A120	PGA48A080 PGA48A120 PGA48A145	PGA48B080 PGA48B120	
1	9044-031	9044-032	9044-032	Evaporator
2	9044-034	9044-036	9044-036	Cover, Drain Pan
3	9044-037	9044-038	9044-038	Pan, Drain
4	9044-042	9044-043	9044-043	Tube, Capillary
5✓	9044-048	- - -	- - -	Compressor, 230/208V., 60Hz., 1Ph., Bristol #H21A413ABCA
5✓	- - -	8000-073	- - -	Compressor, 230/208V., 60Hz., 1Ph., Copeland #CRL1-0350-PFV-270
5✓	- - -	- - -	9044-049	Compressor, 230/208V., 60Hz., 3Ph., Copeland #CRL1-0350-TF5-270
6	9044-052	8605-005	8605-005	Heater, Crankcase
7	9044-055	9044-056	9044-056	Condenser
8	9044-059	9044-059	9044-060	Blade, Fan
9	9044-062	9044-062	9044-062	Leg, Motor Mount (4 Req.)
10✓	9044-064	- - -	- - -	Motor, Condenser Fan, 1/3H.P., 230/208V., 60Hz., 1Ph.
10✓	- - -	9044-065	9044-065	Motor, Condenser Fan, 1/3 H.P., 230/208V., 60Hz., 1Ph.
11	9044-067	9044-067	9044-067	Band, Motor Mount

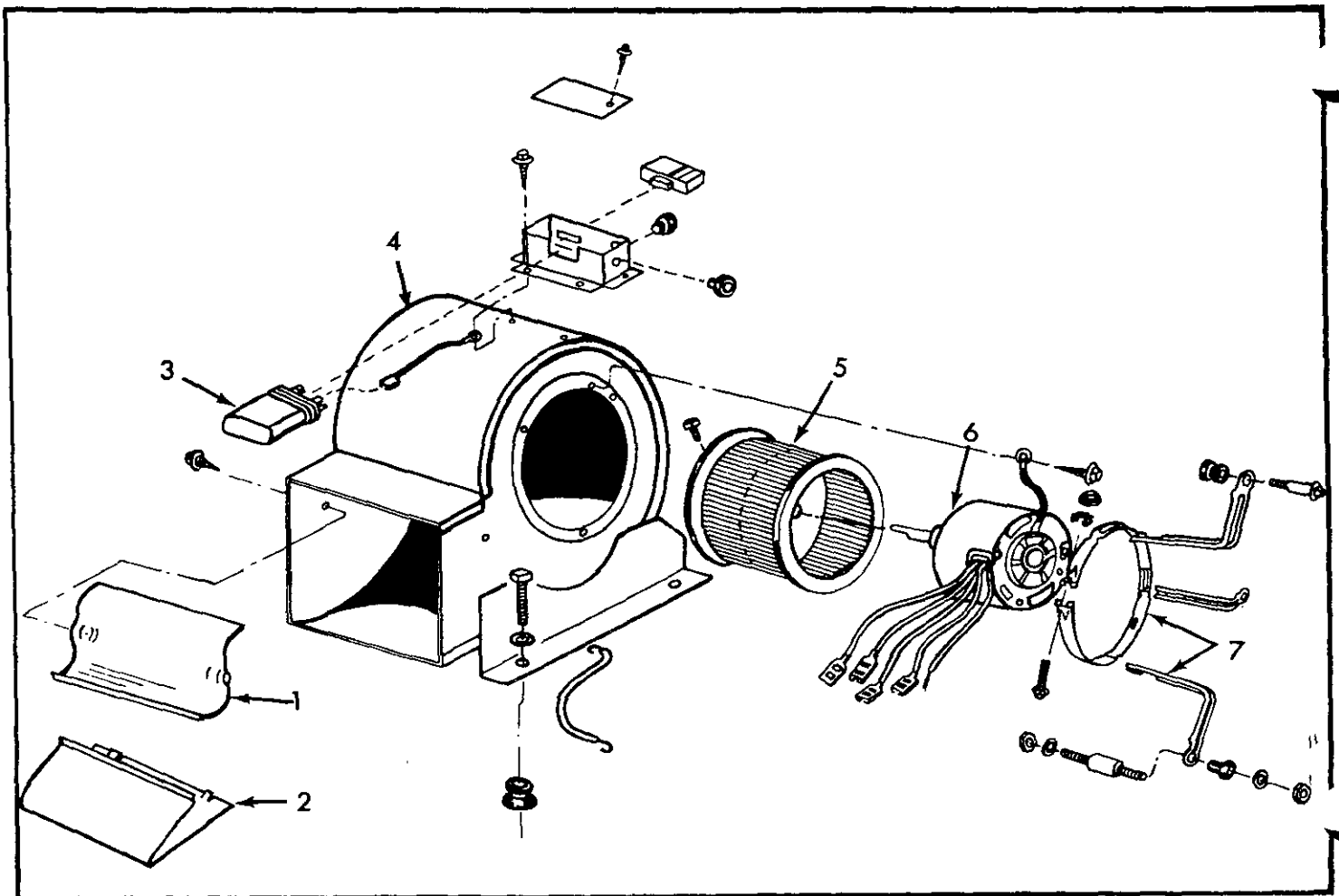
✓Suggested Distributor Stocking Parts Lists.  
(2% of Units Installed - Minimum 1 Each)

## COMBINATION UNIT — MODELS "PGA SERIES"

KEY NO.	PART NUMBERS FOR MODELS		DESCRIPTION
	PGA60A080 PGA60A120 PGA60A145	PGA60B080 PGA60B145	
1	9044-033	9044-033	Evaporator
2	9044-036	9044-036	Cover, Drain Pan
3	9044-038	9044-038	Pan, Drain
4	9044-044	9044-044	Tube, Capillary
5✓	9044-050	- - -	Compressor, 230/208V., 60Hz., 1Ph., Copeland #CRNI-0500-PFV-270
5✓	- - -	9044-051	Compressor, 230/208V., 60Hz., 3Ph., Copeland #CRNI-0500-TF5-270
6	8605-005	8605-005	Heater, Crankcase
7	9044-057	9044-057	Condenser
8	9044-061	9044-061	Blade, Fan
9	9044-062	9044-062	Leg, Motor Mount (4 Req.)
10	9044-066	9044-066	Motor, Condenser Fan, 1/2H.P., 230/208V., 60Hz., 1Ph.
11	9044-067	9044-067	Band, Motor Mount

✓Suggested Distributor Stocking Parts List.  
(2% of Units Installed - Minimum 1 Each)

## COMBINATION UNIT — MODELS "PGA SERIES"



## COMBINATION UNIT — MODELS "PGA SERIES"

KEY NO.	PART NUMBERS FOR MODELS			DESCRIPTION
	PGA24A060 PGA24A090	PGA30A060 PGA30A090	PGA36A060 PGA36A090 PGA36B090 PGA36A120	
1	9044-152	9044-152	9044-153	Panel, Cut-off
2	9044-155	9044-155	9044-156	Diffuser, Air
3✓	8552-004	8552-004	8552-004	Capacitor, 7.5MFD., 370V., 60Hz., 1Ph.
4	9044-158	9044-158	9044-159	Housing, Blower
5	9044-161	9044-161	9044-162	Wheel, Blower
6✓	9044-164	9044-164	- - -	Motor, 1/3H.P., 208/230V., 60Hz., 1100RPM., 2-Speed
6✓	- - -	- - -	9044-165	Motor, 1/2H.P., 208/230V., 60Hz., 1Ph., (3.0AMP) 1100RPM., 3-Speed
7	9044-167	9044-167	- - -	Assembly, Motor Mount
7	- - -	- - -	9044-168	Assembly, Motor Mount

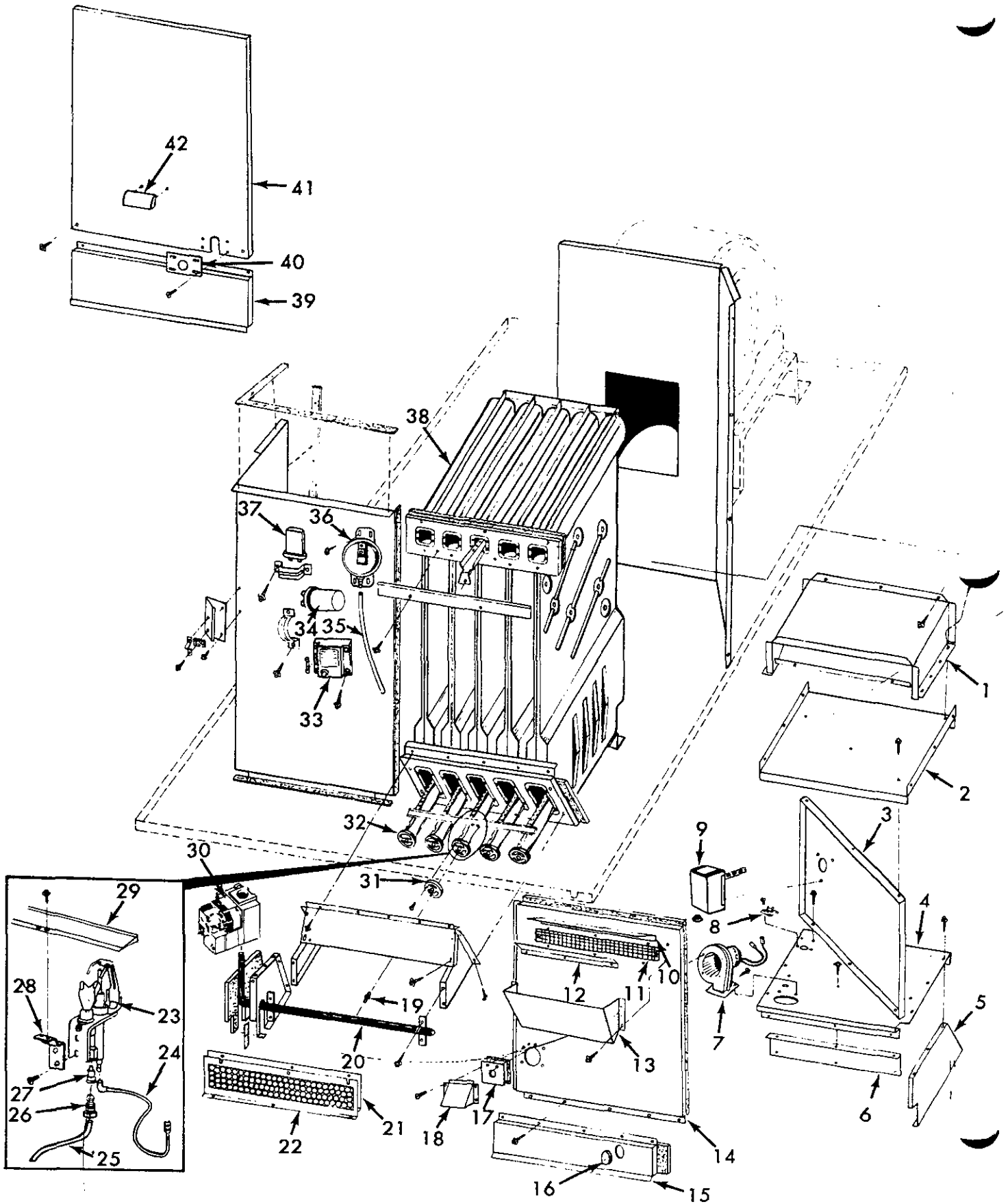
✓Suggested Distributor Stocking Parts List.  
(2% of Units Installed - Minimum 1 Each)

KEY NO.	PART NUMBERS FOR MODELS			DESCRIPTION
	PGA42A060 PGA42A090 PGA42A120	PGA48A080 PGA48A120 PGA48B120 PGA48B080 PGA48A145	PGA60A080 PGA60A120 PGA60B080 PGA60A145 PGA60B145	
1	9044-153	9044-154	9044-154	Panel, Cut-off
2	9044-156	9044-157	9044-157	Diffuser, Air
3✓	8552-004	8552-004	8552-004	Capacitor, 7.5MFD., 370V., 60Hz., 1Ph.
4	9044-160	9044-160	9044-160	Housing, Blower
5	9044-162	9044-163	9044-163	Wheel, Blower
6✓	9044-165	- - -	- - -	Motor, 1/2H.P., 208/230V., 60Hz., 1Ph., (3.0AMP) 1100RPM., 3-Speed
6✓	- - -	9044-166	9044-166	Motor, 1/2H.P., 208/230V., 60Hz., 1Ph., 1120RPM., 2-Speed
7	9044-168	9044-168	9044-168	Assembly, Motor Mount

✓Suggested Distributor Stocking Parts List.  
(2% of Units Installed - Minimum 1 Each)

# COMBINATION UNIT — MODELS "PGA SERIES"

HH7  
1/88



## COMBINATION UNIT — MODELS "PGA SERIES"

KEY NO.	PART NUMBERS FOR MODELS			DESCRIPTION
	PGA24A060 PGA24A090 PGA30A060 PGA30A090	PGA36A060 PGA36A090 PGA36B090 PGA42A060 PGA42A090	PGA36A120 PGA42A120	
1	9044-068	9044-068	9044-069	Diverter, Draft
2	9044-070	9044-070	9044-071	Bottom Draft Diverter
3	9044-072	9044-072	9044-072	Side, Air Box
4	9044-073	9044-073	9044-074	Bottom, Air Box
5	9044-075	9044-075	9044-075	Panel, Diverter Compartment
6	9044-076	9044-076	9044-077	Bracket, Diffuser
7✓	9044-078	9044-078	9044-078	Blower, Combustion
8✓	9044-079	9044-079	9044-079	Limit, Auxiliary, SPST., 250° - 300°F
9✓	8402-045	8402-045	8402-045	Control, Fan and Limit
10	9044-080	9044-080	9044-081	Shield, Rain
11	9044-083	9044-083	9044-083	Screen, Flue
12	9044-086	9044-086	9044-087	Bottom, Flue Collector
13	9044-088	9044-088	9044-089	Cover, Flue
14	9044-090	9044-090	9044-091	Panel, Front
15	9044-093	9044-093	9044-094	Panel, Burner
16	9044-096	9044-096	9044-096	Glass, Sight
17	SEE TABLE - PAGE 25 AND 26			Plate, Orifice
18	9044-097	9044-097	9044-097	Shield, Rain
19	SEE TABLE - PAGE 25 AND 26			Orifice, Main Burner
20	9044-098	9044-098	9044-099	Manifold
21	9044-101	9044-101	9044-102	Diffuser, Back
22	9044-104	9044-104	9044-105	Diffuser, Front
23✓	9044-107	9044-107	9044-107	Burner, Pilot/Ignitor/Sensor (Nat. Gas)
23✓	9044-108	9044-108	9044-108	Honeywell #Q345A1008J (Includes Key No. 26 & 27)
				Burner, Pilot/Ignitor/Sensor (L.P. Gas)
				Honeywell #Q345A1016J (Includes Key No. 26 & 27)
24	9044-109	9044-109	9044-109	Wire, Spark
25	9044-110	9044-110	9044-110	Tube, Pilot
26	9044-111	9044-111	9044-111	Compression Nut and Sleeve
27✓	9044-112	9044-112	9044-112	Orifice, Pilot Burner (Nat. Gas) (Plain) BCR18(.018)
27✓	9044-113	9044-113	9044-113	Orifice, Pilot Burner (L.P. Gas) (Red) BBR12(.012)
28	9044-114	9044-114	9044-114	Bracket, Pilot
29	9044-115	9044-115	9044-116	Crosslighter
30✓	9044-118	9044-118	9044-118	Valve, Gas (Nat. Gas) (1/2" X 1/2") Honeywell #VR8440A2001
30✓	9044-119	9044-119	9044-119	Valve, Gas (L.P. Gas) (1/2" X 1/2") Honeywell #VR8440A2050
31	9044-120	9044-120	9044-120	Shutter, Air (L.P. Gas)
32	SEE TABLE - PAGE 27			Burner
33	9044-121	9044-121	9044-121	Module, Ignition Control, Honeywell #S86F
34	SEE TABLE - PAGE 27			Capacitor, Compressor Run
35	9044-122	9044-122	9044-122	Tube, Silicone Rubber
36	9044-123	9044-123	9044-123	Switch, Air Pressure
37✓	8552-002	- - -	- - -	Capacitor, Fan, 5MFD., 370V., 60Hz., 1Ph.
37✓	- - -	8552-004	8552-004	Capacitor, Fan, 7.5MFD., 370V., 60Hz., 1Ph.
38	9044-124	9044-124	9044-125	Exchanger, Heat
39	9044-126	9044-126	9044-126	Panel, Bottom Compressor Access
40	9044-127	9044-127	9044-127	Plate, Inlet
41	9044-128	9044-128	9044-128	Panel, Top Compressor Access
42	9044-129	9044-129	9044-129	Handle, Door

✓Suggested Distributor Stocking Parts List.  
(2% of Units Installed - Minimum 1 Each)



## COMBINATION UNIT — MODELS "PGA SERIES"

KEY NO.	PART NUMBERS FOR MODELS			DESCRIPTION
	PGA48A080 PGA48A120 PGA488080 PGA48B120	PGA48A145 PGA60A145 PGA60B145	PGA60A080 PGA60A120 PGA60B080	
1	9044-069	9044-069	9044-069	Diverter, Draft
2	9044-071	9044-071	9044-071	Bottom, Draft Diverter
3	9044-072	9044-072	9044-072	Side, Air Box
4	9044-074	9044-074	9044-074	Bottom, Air Box
5	9044-075	9044-075	9044-075	Panel, Diverter Compartment
6	9044-077	9044-077	9044-077	Bracket, Diffuser
7✓	9044-078	9044-078	9044-078	Blower, Combustion
8✓	9044-079	9044-079	9044-079	Limit, Auxiliary, SPST., 250° - 300°F.
9✓	8402-045	8402-045	8402-045	Control, Fan and Limit
10	9044-081	9044-082	9044-081	Shield, Rain
11	9044-084	9044-085	9044-084	Screen, Flue
12	9044-087	9044-087	9044-087	Bottom, Flue Collector
13	9044-089	9044-089	9044-089	Cover, Flue
14	9044-091	9044-092	9044-091	Panel, Front
15	9044-094	9044-095	9044-094	Panel, Burner
16	9044-096	9044-096	9044-096	Glass, Sight
17	SEE TABLE - PAGE 25 AND	26		Plate, Orifice
18	9044-097	9044-097	9044-097	Shield, Rain
19	SEE TABLE - PAGE 25 AND	26		Orifice, Main Burner
20	9044-099	9044-100	9044-099	Manifold
21	9044-102	9044-103	9044-102	Diffuser, Back
22	9044-105	9044-106	9044-105	Diffuser, Front
23✓	9044-107	9044-107	9044-107	Burner, Pilot/Ignitor/Sensor (Nat. Gas) Honeywell #Q345A1008J (Includes Key No. (26 and 27)
23✓	9044-108	9044-108	9044-108	Burner, Pilot/Ignitor/Sensor (L.P. Gas) Honeywell #Q345A1016J (Includes Key No. (26 and 27)
24	9044-109	9044-109	9044-109	Wire, Spark
25	9044-110	9044-110	9044-110	Tube, Pilot
26	9044-111	9044-111	9044-111	Compression Nut & Sleeve
27✓	9044-112	9044-112	9044-112	Orifice, Pilot Burner (Nat. Gas) (Plain) BCR18 (.018)
27✓	9044-113	9044-113	9044-113	Orifice, Pilot Burner (L.P. Gas) (Red) BBR12 (.012)
28	9044-114	9044-114	9044-114	Bracket, Pilot
29	9044-116	9044-117	9044-116	Crosslighter
30✓	9044-118	9044-118	9044-118	Valve, Gas (Nat.) (1/2 X 1/2) Honeywell #VR8440A2001
30✓	9044-119	9044-119	9044-119	Valve, Gas (L.P.) (1/2 X 1/2) Honeywell #VR8440A2050
31	9044-120	- - -	9044-120	Shutter, Air (L.P. Gas)
32	SEE TABLE - PAGE 27			Burner
33	9044-121	9044-121	9044-121	Module, Ignition Control, Honeywell #S86F-1067
34	SEE TABLE - PAGE 27			Capacitor, Compressor Run
35	9044-122	9044-122	9044-122	Tube, Silicone Rubber
36	9044-123	9044-123	9044-123	Switch, Air Pressure
37✓	8552-002	**8552-002	- - -	Capacitor, Fan, 5MFD., 370V., 60Hz., 1Ph.
37✓	- - -	***8552-004	8552-004	Capacitor, 7.5MFD., 370V., 60Hz., 1Ph.
38	9044-125	9044-125	9044-125	Exchanger, Heat
39	9044-126	9044-126	9044-126	Panel, Bottom Compressor Access
40	9044-127	9044-127	9044-127	Plate, Inlet
41	9044-128	9044-128	9044-128	Panel, Top Compressor Access
42	9044-129	9044-129	9044-129	Handle, Door

✓Suggested Distributor Stocking Parts Lists.  
(2% of Units Installed - Minimum 1 Each)

\*\*Use Fan Capacitor Part No. 8552-002 Model PGA48A145.  
\*\*\*Use Fan Capacitor Part No. 8552-004 Models PGA60A145 and PGA60B145.

## COMBINATION UNIT — MODELS "PGA SERIES"

NOTE: SEE UNIT RATING PLATE FOR THE  
FURNACE INPUT OF THE UNIT

FURNACE INPUT	PART NUMBERS FOR MODELS			DESCRIPTION
	PGA24A090 PGA30A090	PGA36A090 PGA36B090 PGA42A090	PGA36A120 PGA42A120 PGA48A120	
60,000	9044-130	9044-130	- - -	#Orifice, Main Burner (Nat. Gas) Drill Size No. 44 (3 Req.)
	9044-131	9044-131	- - -	#Orifice, Main Burner (L.P. Gas) Drill Size No. 55 (3 Req.)
	9044-141	9044-141	- - -	Plate, Air Orifice
	9044-132	9044-132	- - -	#Orifice, Main Burner (Nat. Gas) Drill Size No. 40 (3 Req.)
80,000	- - -	- - -	9044-130	#Orifice, Main Burner (Nat. Gas) Drill Size No. 44 (4 Req.)
	9044-133	9044-133	- - -	#Orifice, Main Burner (L.P. Gas) Drill Size No. 53 (3 Req.)
	- - -	- - -	9044-131	#Orifice, Main Burner (L.P. Gas) Drill Size No. 55 (3 Req.)
	9044-142	9044-142	9044-142	Plate, Air Orifice
90,000	9044-134	9044-134	- - -	#Orifice, Main Burner (Nat. Gas) Drill Size No. 37 (3 Req.)
	9044-135	9044-135	- - -	#Orifice, Main Burner (L.P. Gas) Drill Size No. 52 (3 Req.)
	9044-143	9044-143	- - -	Plate, Orifice
	- - -	- - -	9044-136	#Orifice, Main Burner (Nat. Gas) Drill Size No. 41 (4 Req.)
100,000	- - -	- - -	9044-133	#Orifice, Main Burner (L.P. Gas) Drill Size No. 53 (4 Req.)
	- - -	- - -	9044-144	Plate, Air Orifice
	- - -	- - -	9044-137	#Orifice, Main Burner (Nat. Gas) Drill Size No. 38 (4 Req.)
	- - -	- - -	9044-135	#Orifice, Main Burner (L.P. Gas) Drill Size No. 52 (4 Req.)
120,000	- - -	- - -	9044-145	Plate, Air Orifice

#Be sure Parts Being Ordered are For  
Type of Gas Being Used.

## COMBINATION UNIT — MODELS "PGA SERIES"

NOTE: SEE UNIT RATING PLATE FOR THE  
FURNACE INPUT OF THE UNIT

FURNACE INPUT	PART NUMBERS FOR MODELS		DESCRIPTION
	PGA48B120 PGA60A120	PGA48A145 PGA60A145 PGA60B145	
80,000	9044-130	- - -	#Orifice, Main Burner (Nat. Gas) Drill Size No. 44 (4 Req.)
	- - -	9044-138	#Orifice, Main Burner (Nat. Gas) Drill Size No. 47 (5 Req.)
	9044-131	- - -	#Orifice, Main Burner (L.P. Gas) Drill Size No. 55 (4 Req.)
	- - -	9044-139	#Orifice, Main Burner (L.P. Gas) Drill Size No. 56 (5 Req.)
100,000	9044-142	9044-142	Plate, Air Orifice
	9044-136	- - -	#Orifice, Main Burner (Nat. Gas) Drill Size No. 41 (4 Req.)
	9044-133	- - -	#Orifice, Main Burner (L.P. Gas) Drill Size No. 53 (4 Req.)
120,000	9044-144	- - -	Plate, Air Orifice
	9044-137	- - -	#Orifice, Main Burner (Nat. Gas) Drill Size No. 38 (4 Req.)
	9044-135	- - -	#Orifice, Main Burner (L.P. Gas) Drill Size No. 52 (4 Req.)
130,000	9044-145	- - -	Plate, Air Orifice
	- - -	9044-136	#Orifice, Main Burner (Nat. Gas) Drill Size No. 41 (5 Req.)
	- - -	9044-133	#Orifice, Main Burner (L.P. Gas) Drill Size No. 53 (5 Req.)
145,000	- - -	9044-143	Plate, Air Orifice
	- - -	9044-137	#Orifice, Main Burner (Nat. Gas) Drill Size No. 38 (5 Req.)
	- - -	9044-140	#Orifice, Main Burner (L.P. Gas) Drill Size No. 1/16 (5 Req.)
	- - -	9044-146	Plate, Air Orifice

FURNACE INPUT	PART NUMBERS FOR MODELS			DESCRIPTION
	PGA24A060 PGA30A060	PGA36A060 PGA42A060	PGA48A080 PGA48B080 PGA60A080 PGA60B080	
60,000	9044-130	9044-130	- - -	#Orifice, Main Burner (Nat. Gas) Drill Size No. 44 (3 Req.)
	9044-131	9044-131	- - -	#Orifice, Main Burner (L.P. Gas) Drill Size No. 55 (3 Req.)
	9044-141	9044-141	- - -	Plate, Air Orifice
	9044-132	9044-132	- - -	#Orifice, Main Burner (Nat. Gas) Drill Size No. 40 (3 Req.)
80,000	- - -	- - -	9044-130	#Orifice, Main Burner (Nat. Gas) Drill Size No. 44 (4 Req.)
	9044-133	9044-133	- - -	#Orifice, Main Burner (L.P. Gas) Drill Size No. 53 (3 Req.)
	- - -	- - -	9044-131	#Orifice, Main Burner (L.P. Gas) Drill Size No. 55 (3 Req.)
	9044-142	9044-142	9044-142	Plate, Air Orifice
100,000	- - -	- - -	9044-136	#Orifice, Main Burner (Nat. Gas) Drill Size No. 41 (4 Req.)
	- - -	- - -	9044-133	#Orifice, Main Burner (L.P. Gas) Drill Size No. 53 (4 Req.)
	- - -	- - -	9044-144	Plate, Air Orifice

#Be Sure Parts Being Ordered are  
For Type of Gas Being Used.

## COMBINATION UNIT — MODELS "PGA SERIES" CAPACITOR — COMPRESSOR RUN

KEY NO.	PART NUMBERS FOR MODELS				DESCRIPTION
	PGA24A060 PGA24A090	PGA30A060 PGA30A090	PGA36A060 PGA36A090 PGA36A120	PGA42A060 PGA42A090 PGA42A120	
34✓	9044-148	- - -	- - -	- - -	Capcaitor, Compressor Run, 30MFD., 370V., 60Hz., 1Ph.
34✓	- - -	8552-032	- - -	- - -	Capacitor, Compressor Run, 35MFD., 370V., 60Hz., 1Ph.
34✓	- - -	- - -	8552-035	- - -	Capacitor, Compressor Run, 40MFD., 370V., 60Hz., 1Ph.
34✓	- - -	- - -	- - -	8552-030	Capacitor, Compressor Run, 40MFD., 440V., 60Hz., 1Ph.

KEY NO.	PART NUMBERS FOR MODELS		DESCRIPTION
	PGA48A080 PGA48A120 PGA48A145	PGA60A080 PGA60A120 PGA60A145	
34✓	8552-007	- - -	Capacitor, Compressor Run, 40MFD., 440V., 60Hz., 1Ph.
34✓	- - -	9044-149	Capacitor, Compressor Run, 55MFD., 440V., 60Hz., 1Ph.

✓Suggested Distributor Stocking Parts List.  
(2% of Units Installed - Minimum 1 Each)

## BURNERS

KEY NO.	PART NUMBERS FOR MODELS					DESCRIPTION
	PGA24A090 PGA30A090	PGA36090 PGA36B090 PGA42A090	PGA36A120 PGA42A120 PGA48A120	PGA48B120 PGA60A120 PGA60B120	PGA48A145 PGA60A145 PGA60B145	
50	9044-150	9044-150	- - -	- - -	- - -	Burner (3 Req.)
50	- - -	- - -	9044-150	9044-150	- - -	Burner (4 Req.)
50	- - -	- - -	- - -	- - -	9044-150	Burner (5 Req.)

FOR PARTS ILLUSTRATION  
SEE PAGE

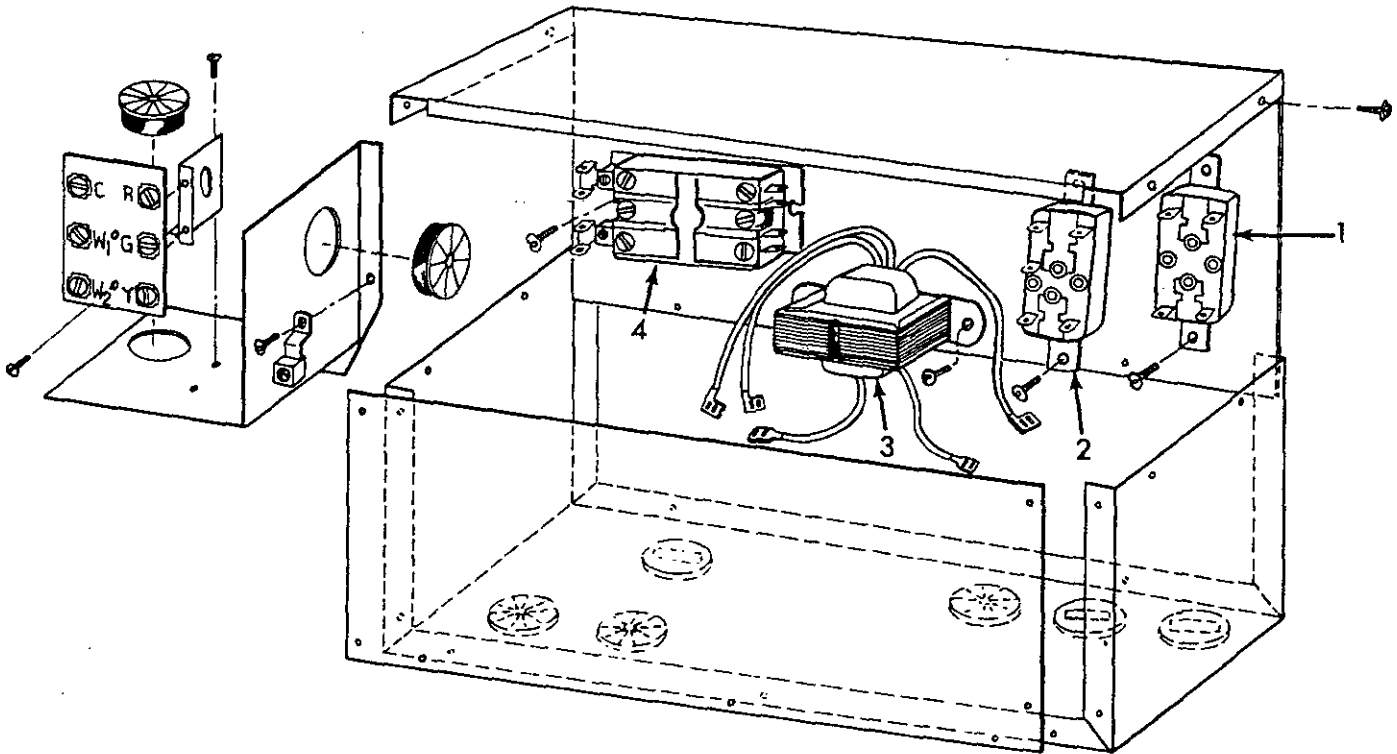
KEY NO.	PART NUMBERS FOR MODELS				DESCRIPTION
	PGA24A060 PGA30A060	PGA36A060 PGA42A060	PGA48A080 PGA48B080	PGA60A080 PGA60B080	
50	9044-151	9044-151	- - -	- - -	Burner (3 Req.)
50	- - -	- - -	9044-151	9044-151	Burner (4 Req.)

## COMBINATION UNIT — MODELS "PGA SERIES" TECH SHEET

KEY NO.	PART NUMBERS FOR MODELS				DESCRIPTION
	PGA24A060 PGA24A090	PGA30A060 PGA30A090	PGA36A060 PGA36A090	PGA36B090	
X	1000368	1000369	1000370	1000371	Sheet, Tech
	PART NUMBERS FOR MODELS				
KEY NO.	PGA36A120	PGA42A060 PGA42A090	PGA42A120	PGA48A120 PGA48A080	DESCRIPTION
X	1000372	1000373	1000374	1000375	Sheet, Tech
	PART NUMBERS FOR MODELS				
KEY NO.	PGA48B120 PGA48B080	PGA48A145	PGA60A120 PGA60A080	PGA60B080	DESCRIPTION
X	1000376	1000377	1000378	1000379	Sheet, Tech
	PART NUMBERS FOR MODELS				
KEY NO.	PGA60A145	PGA60B145	DESCRIPTION		
X	1000380	1000381	Sheet, Tech		

XPart Not Illustrated.

## COMBINATION UNIT — MODELS "PGA SERIES"



KEY NO.	PART NUMBERS FOR MODELS				DESCRIPTION
	PGA24A060 PGA24A090 PGA30A060 PGA30A090 PGA36A060 PGA36A090 PGA36A120	PGA42A060 PGA42A090 PGA42A120 PGA48A080 PGA48A120 PGA48A145	PGA60A080 PGA60A120 PGA60A145	PGA36B090 PGA48B120 PGA48B080 PGA60B080 PGA60B145	
1✓	8201-006	8201-006	8201-006	8201-006	Relay, SPST., 24V. Coil Heat
2✓	8201-009	8201-009	8201-009	8201-009	Relay, SPDT., 24V. Coil Fan, Essex #184-10103-306A
3✓	8407-034	8407-034	8407-034	8407-034	Transformer, 208/240V., 60Hz., Basler #BE-8733-KJJ106 or Jard #TB402424-B21A
4✓	8401-006	- - -	- - -	- - -	Contactor, 20AMP., 1Ph., Elmwood #30-B0-20
4✓	- - -	8401-010	- - -	- - -	Contactor, 30AMP., 1Ph., Elmwood #30-C0-20
4✓	- - -	- - -	8401-001	- - -	Contactor, 40AMP., 1Ph., Elmwood #30-F0-20 or RBM #154-4388081-52100ZA
4✓	- - -	- - -	- - -	8401-011	Contactor, 30AMP., 3Ph., Elmwood #30-E0-303 or RBM #154-312221-52000ZB

Suggested Distributor Stocking Parts List.  
(2% of Units Installed - Minimum 1 Each)

PARTS LIST  
ECONOMIZER

1/88

Part No.	Description	ECR-3	ECR-5	ECW-2A	ECW-3A	ECW-4A
8602-022	Damper Motor	x	x	x	x	x
8602-023	Thermistor Sensor	x	x	x	x	x
8602-024	Remote Position Pot	x	x	x	x	x
8602-025	Enthalpy Control	x	x	x	x	x
8602-026	Compressor Lockout Thermostat	x	x	x	x	x
8602-027	1K Changeover Relay	x	x	x	x	x
8602-028	2K Changeover Relay	x	x	x	x	x
8602-029	Filter 16 x 25	1				
8602-030	Filter 16 x 28		2			
4074-130	Wiring Diagram	x	x	x	x	x

## PARTS LIST

ECON-P-35  
ECONOMIZER

1/88

Part No.	Description	ECON-P-35
8602-020	Motor M8405A1006	x
8602-002	Enthalpy Control	x
8201-015	Relay	(2)
8602-005	Outdoor Air Damper (18x18)	x
8602-007	Crank Arm	x
8602-008	Ball Joints	(3)
8602-009	Push Rod 18"	1
7002-004	Lint Screen 17-3/4 x 19	1
8602-021	Mixed air controller T675A1003	x



PARTS LIST  
HRU2-5A  
HEAT RECOVERY UNIT

1/88

Part No.	Description	HRU2-5A
5052-004	Desuperheater Water Coil	x
8300-001	Water Pump	x
8408-010	Thermostat - Freeze Protection	x
8408-009	Thermostat - Discharge Tube	x
8408-007	Thermostat - Water Line	x
8408-011	Thermostat - Water Line - Safety	x
8406-020	Toggle Switch SPST	x
8614-036	Circuit Breaker	2